



US00D351425S

United States Patent [19] Seiler

[11] Patent Number: **Des. 351,425**

[45] Date of Patent: **** Oct. 11, 1994**

[54] **GAME BOARD**

[76] Inventor: **Michael Seiler**, 10 Elmwood Ct., Plainview, N.Y. 11803

[**] Term: **14 Years**

[21] Appl. No.: **2,007**

[22] Filed: **Nov. 30, 1992**

[52] U.S. Cl. **D21/23**

[58] Field of Search 273/236-285, 273/450; D21/14-36, 104, 107, 108

3,430,962 3/1969 Davenport D21/23
3,604,709 9/1971 Svetz D21/23
4,550,916 11/1985 Ortiz 273/265

FOREIGN PATENT DOCUMENTS

2129312 5/1984 United Kingdom 273/157 R

Primary Examiner—Bernard Ansher
Assistant Examiner—Sandra Morris
Attorney, Agent, or Firm—Edward H. Loveman

[57] **CLAIM**

The ornamental design of a game board, as shown and described.

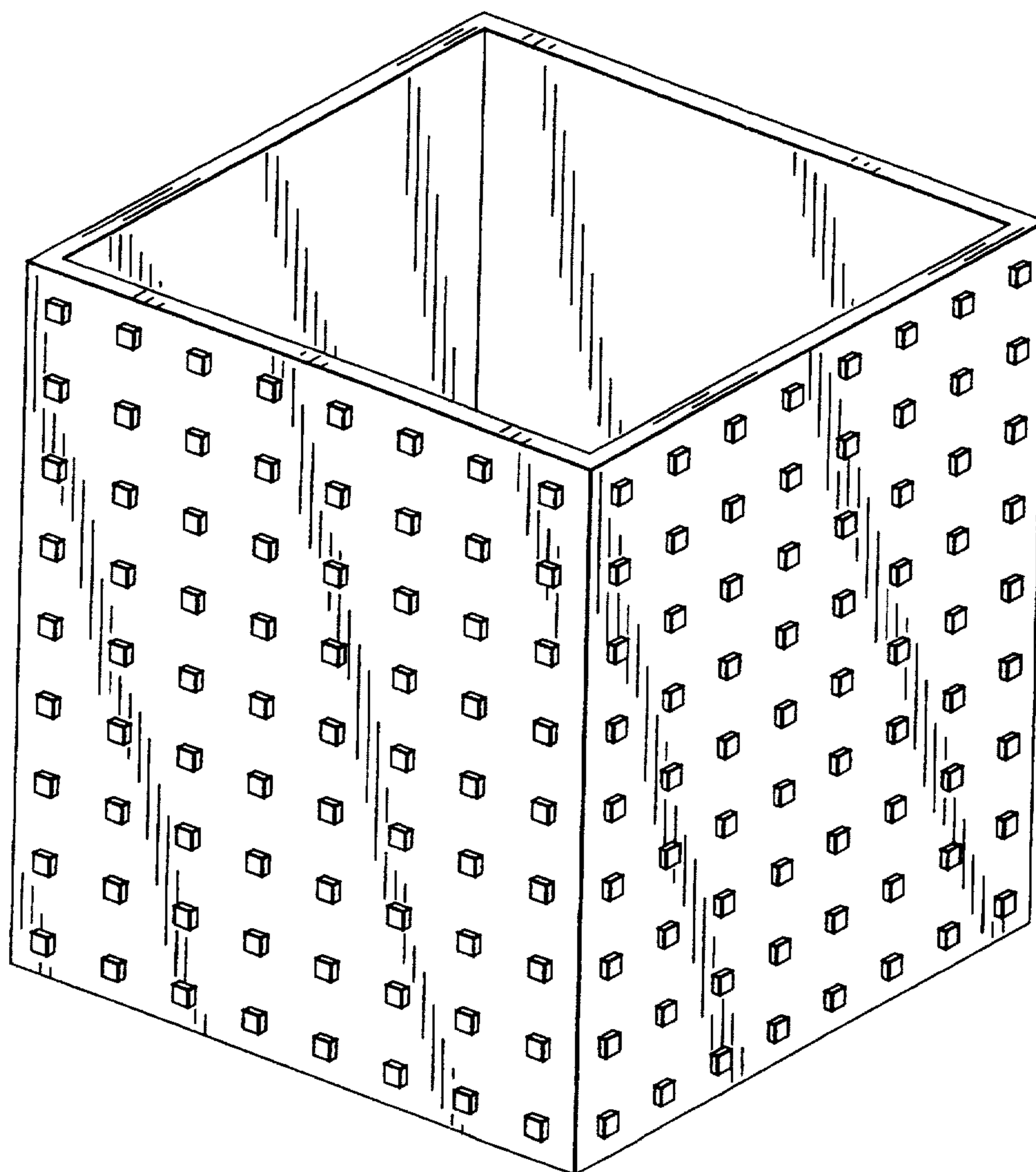
[56] **References Cited**

U.S. PATENT DOCUMENTS

- D. 268,770 4/1983 Fiveash D21/23
- D. 327,185 6/1992 Ryaa D21/108
- D. 336,320 6/1993 Sher D21/108
- D. 341,167 11/1993 Rutledge D21/107
- D. 343,427 1/1994 Sher D21/108
- 1,404,108 1/1922 Flajshans 273/260
- 3,165,318 1/1965 Lissandrello D21/17

DESCRIPTION

FIG. 1 is a perspective view of a game board, showing my new design;
FIG. 2 is a front elevational view thereof; and,
FIG. 3 is a top plan view thereof.
The bottom plan view and the rear and side elevational views are mirror images of the front and top shown in FIGS. 2 and 3 respectively.



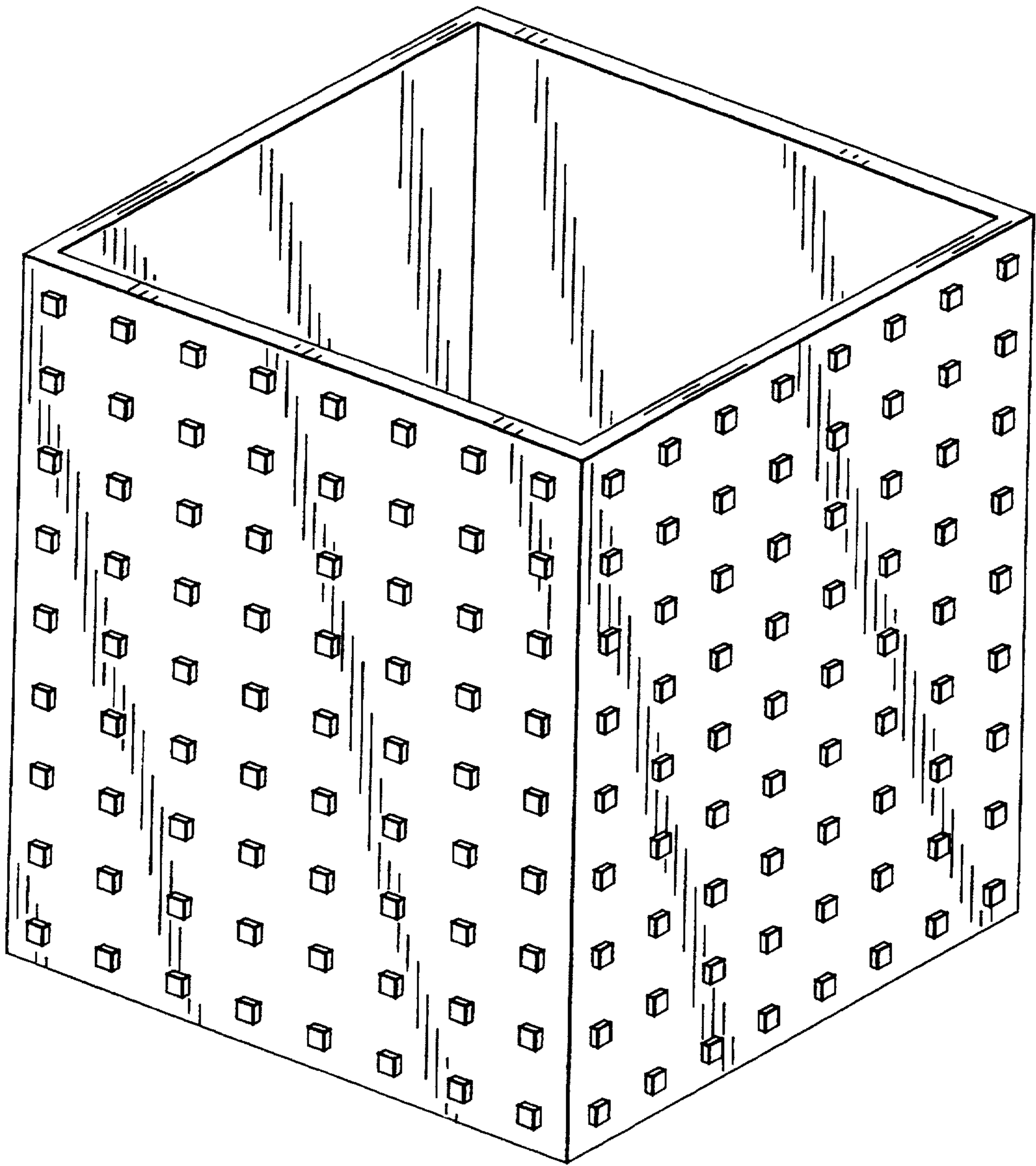


FIG. 1

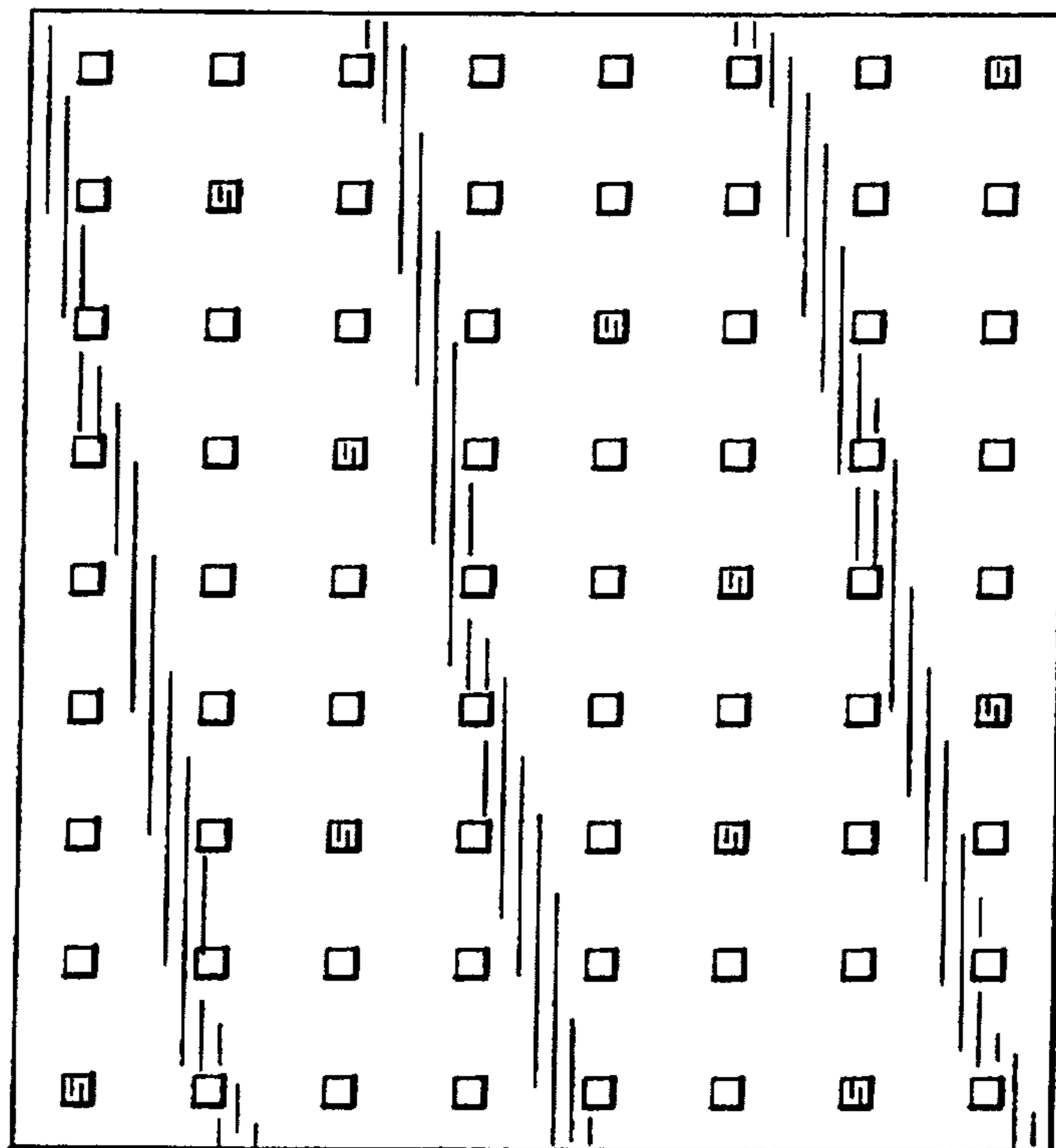


FIG. 2

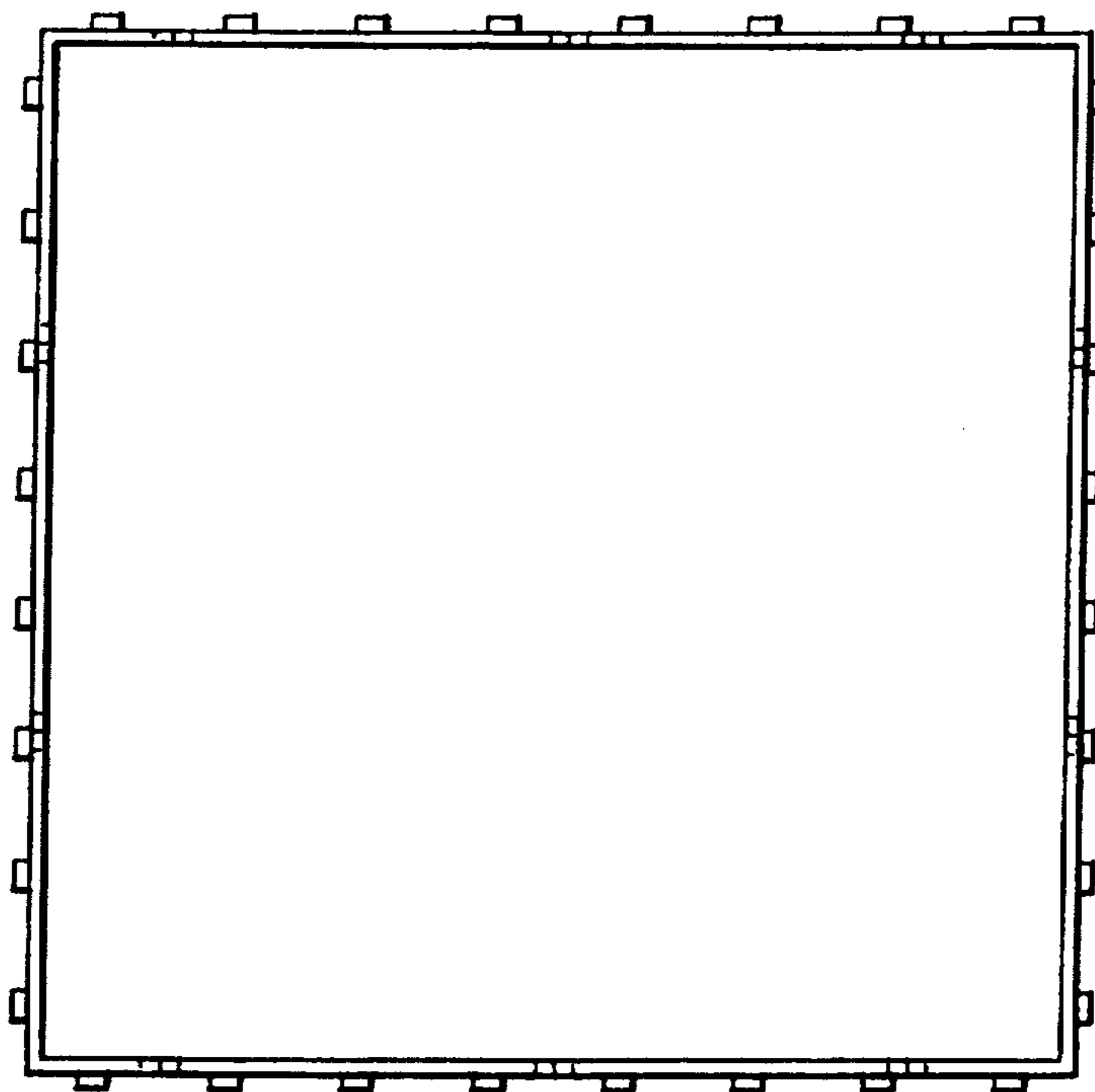


FIG. 3