



US00D351422S

United States Patent [19]

Morris

[11] Patent Number: **Des. 351,422**

[45] Date of Patent: **** Oct. 11, 1994**

[54] **COMBINED PARKING LOT BARRIER AND COVER FOR ADVERTISING DISPLAYS**

[76] Inventor: **Jerry Morris, 2454 Okeechobee La., Fort Lauderdale, Fla. 33312**

[**] Term: **14 Years**

[21] Appl. No.: **4,609**

[22] Filed: **Feb. 9, 1993**

[52] U.S. Cl. **D20/10; D10/113; D25/119**

[58] Field of Search **40/590, 591, 592, 593; 404/6, 7, 8, 9, 10, 11, 12, 13, 14, 15; D20/10, 15, 39, 40, 42; D25/38, 119**

[56] **References Cited**

U.S. PATENT DOCUMENTS

D. 205,209	7/1966	Priddis	D20/13
D. 258,088	1/1981	Koch	D25/38
D. 267,657	1/1983	Wong	D20/15
D. 269,685	7/1983	Lansdowne	D20/15
1,065,231	6/1913	Finger	D10/113
1,994,027	3/1935	Poston	D10/113
2,225,496	12/1940	Gethin et al.	D10/113
2,903,805	9/1959	Armentrout	D20/15

3,225,475	12/1965	Shank	40/592
3,292,291	12/1966	Kelley	40/592
3,633,299	1/1972	Westin	40/592
3,777,438	12/1973	Brown	D25/38
3,785,719	1/1974	Jonnes	D10/113
4,756,266	7/1988	Sakuraoka	D25/119

Primary Examiner—Wallace R. Burke
Assistant Examiner—Marcus Jackson
Attorney, Agent, or Firm—M. K. Silverman

[57] **CLAIM**

The ornamental design for combined parking lot barrier and cover for advertising displays, as shown and described.

DESCRIPTION

FIG. 1 is a top perspective view of the inventive parking stop display means;
FIG. 2 is an inverted perspective view thereof;
FIG. 3 is a top view thereof;
FIG. 4 is a rear view thereof;
FIG. 5 is a front view thereof;
FIG. 6 is a bottom view thereof;
FIG. 7 is a left side view; and,
FIG. 8 is a right side view thereof.

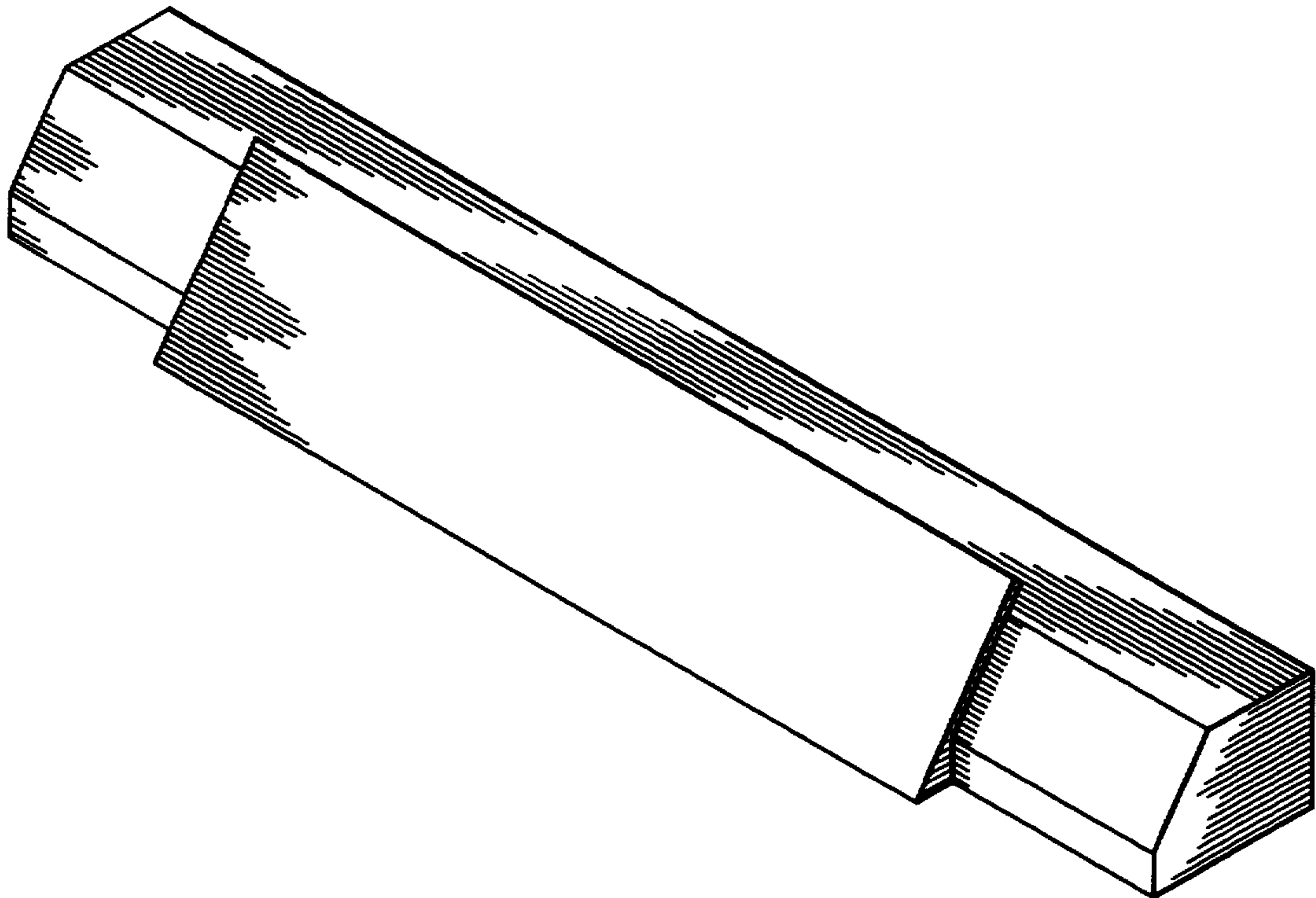


FIG. 1.

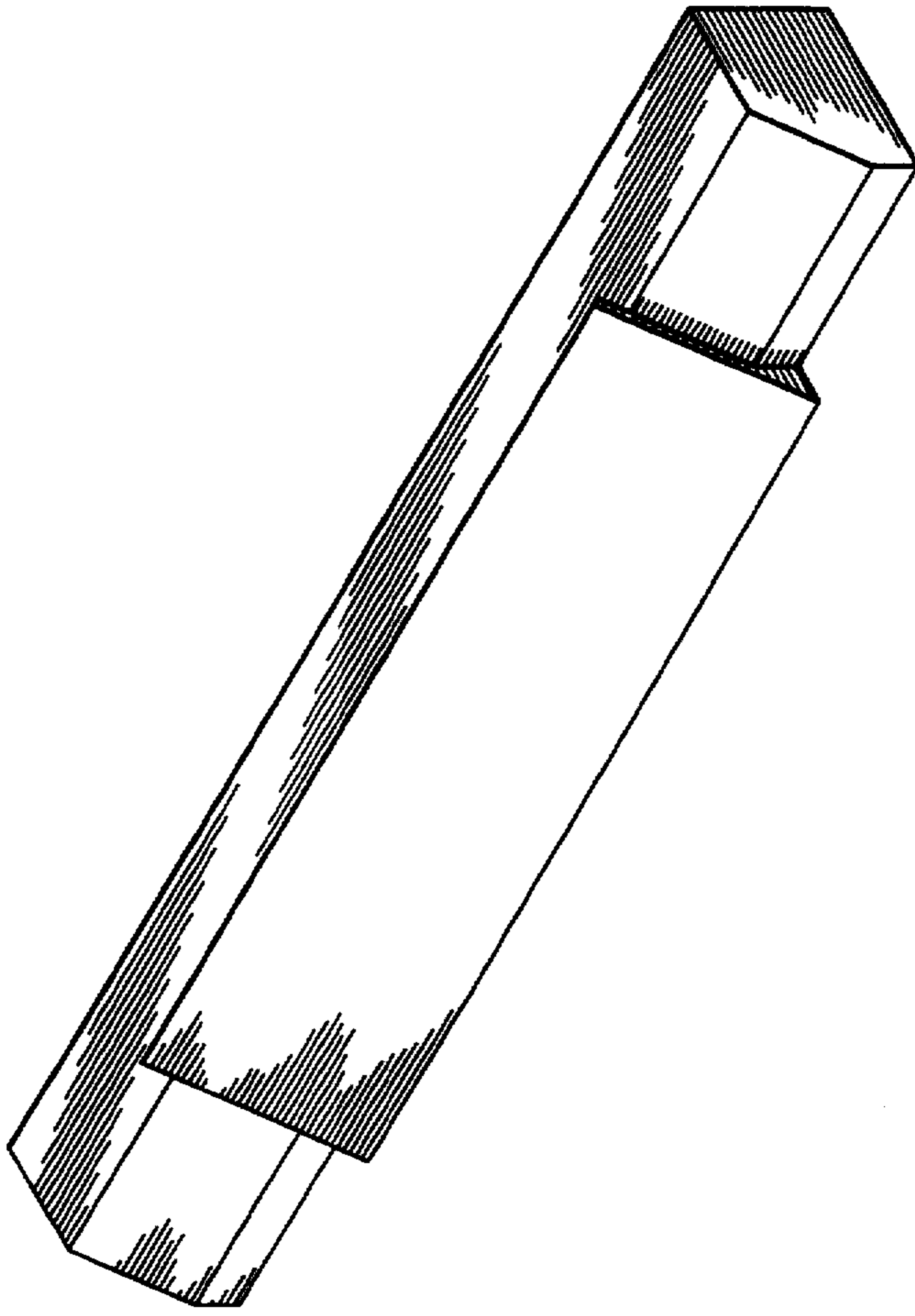


FIG. 2.

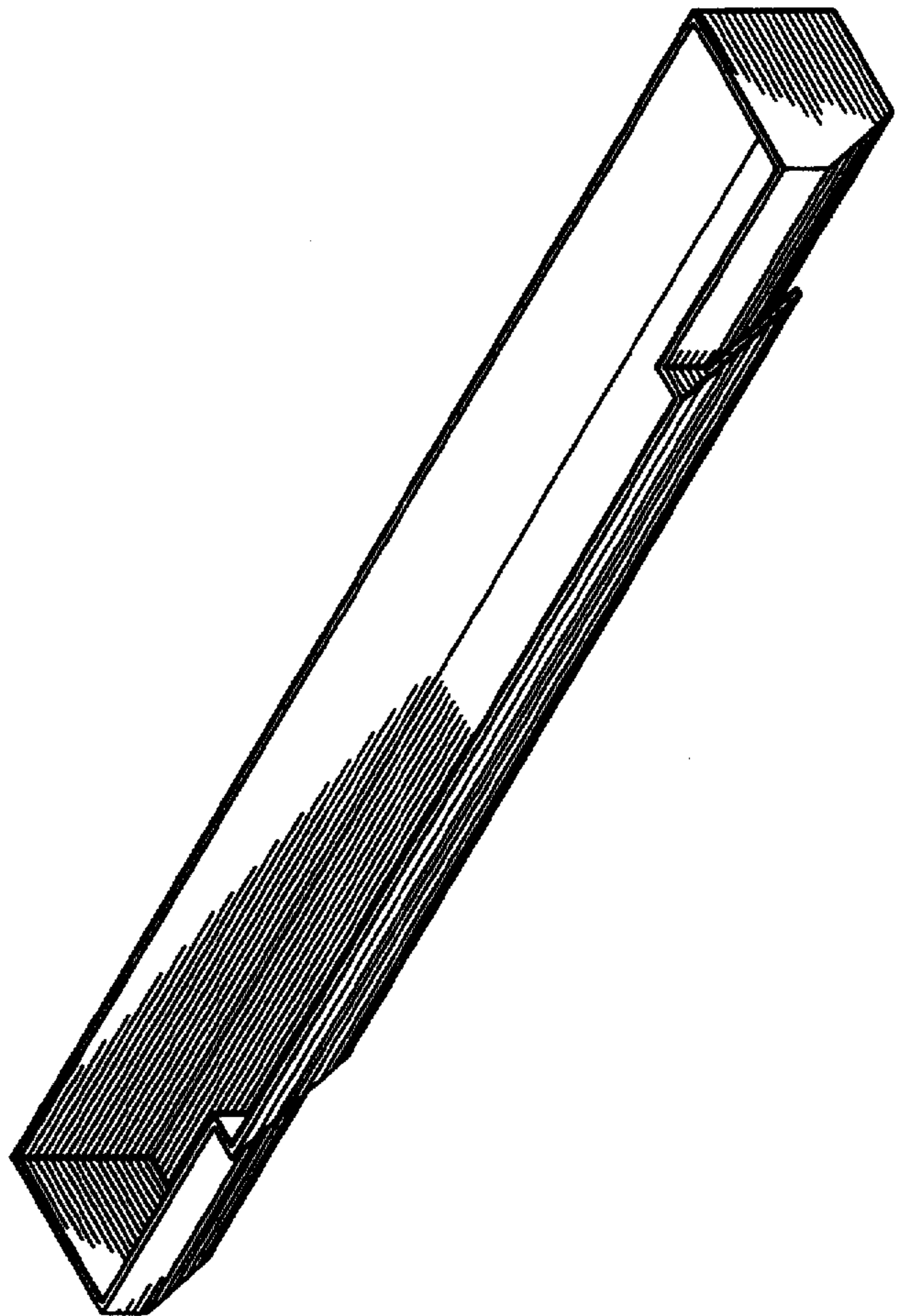


FIG. 3.

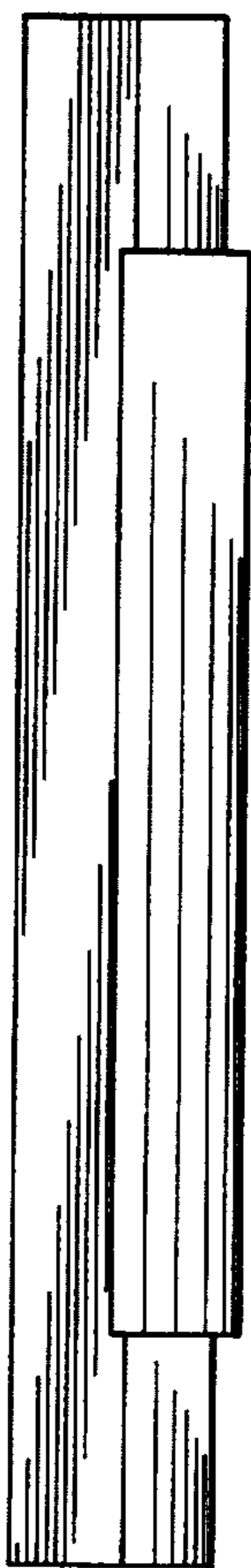


FIG. 4.

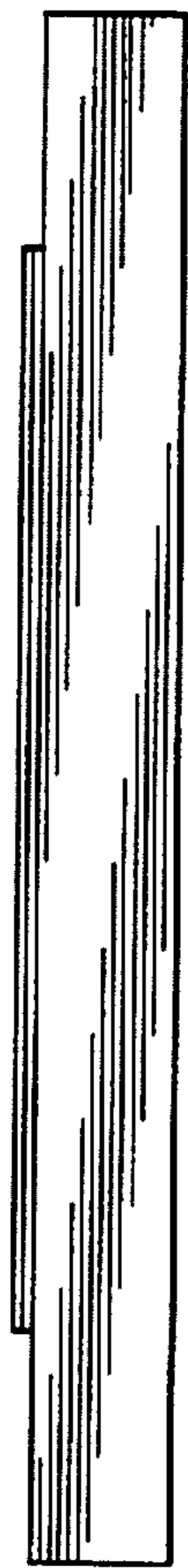


FIG. 5.

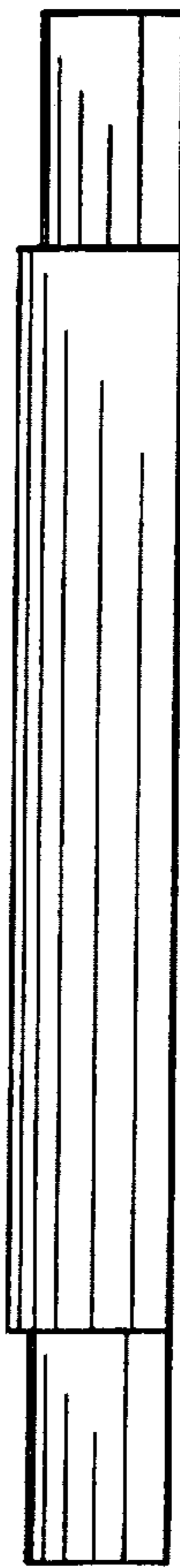


FIG. 6.

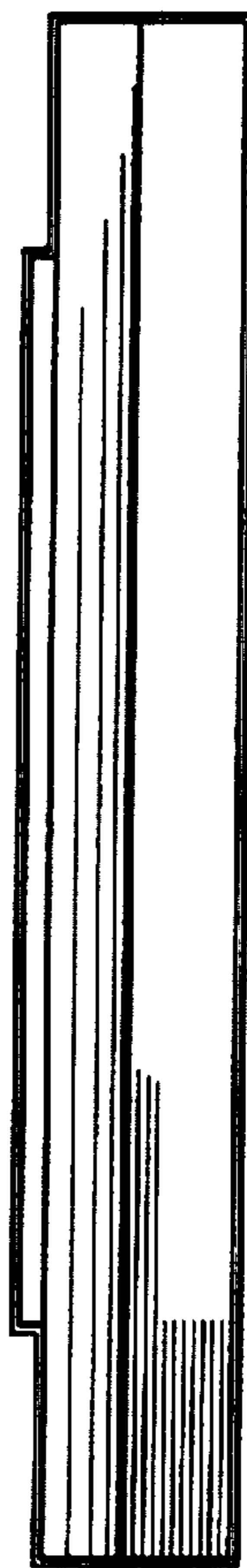


FIG. 7.

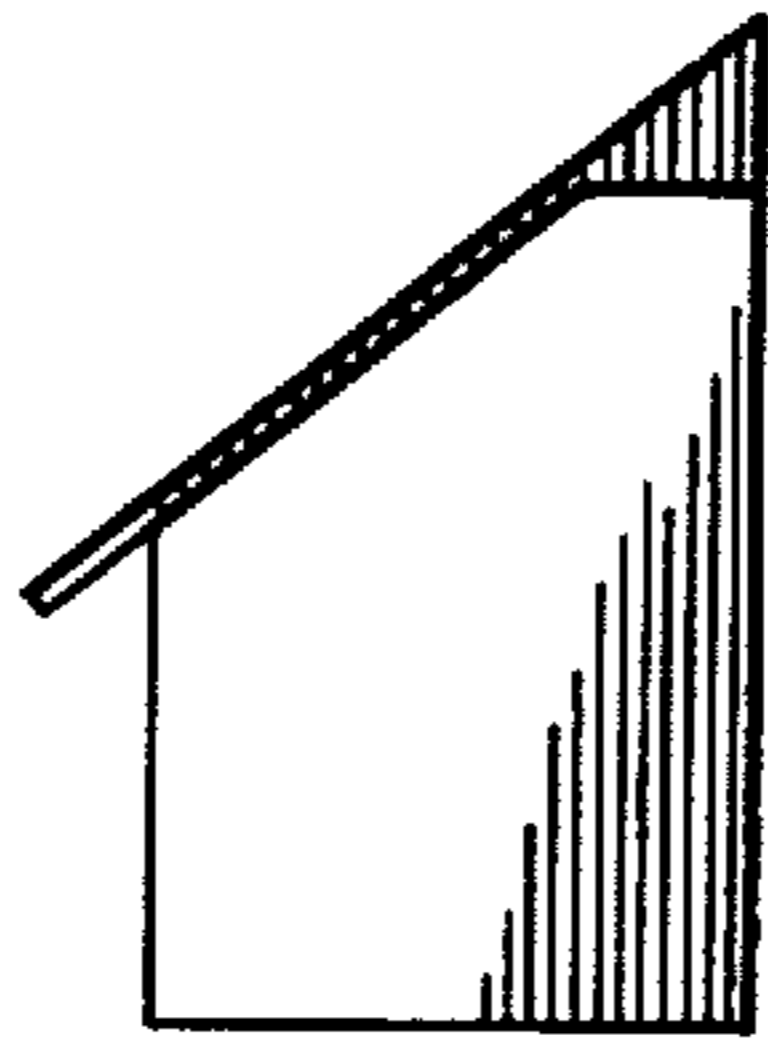


FIG. 8.

