



US00D351421S

United States Patent [19] Abe

[11] Patent Number: **Des. 351,421**
[45] Date of Patent: *** Oct. 11, 1994**

[54] **COIN DOOR BRACKET FOR A VENDING MACHINE**

[75] Inventor: **Hiroshi Abe, Tokyo, Japan**

[73] Assignee: **Asahi Seiko Kabushiki Kaisha, Tokyo, Japan**

[*] Notice: The portion of the term of this patent subsequent to Oct. 4, 2008 has been disclaimed.

[**] Term: **14 Years**

[21] Appl. No.: **953,576**

[22] Filed: **Sep. 29, 1992**

[30] **Foreign Application Priority Data**

Apr. 1, 1992 [JP] Japan 4-9647

[52] U.S. Cl. **D20/9**

[58] Field of Search 194/321, 350, 345, 346; D20/8, 9

[56] **References Cited**

U.S. PATENT DOCUMENTS

D. 336,860 6/1993 Clough D20/94 R
D. 337,128 7/1993 Stillwagon D20/9
3,194,378 7/1965 Greenwald 194/346 X

4,629,051 12/1986 Abe 194/346 X

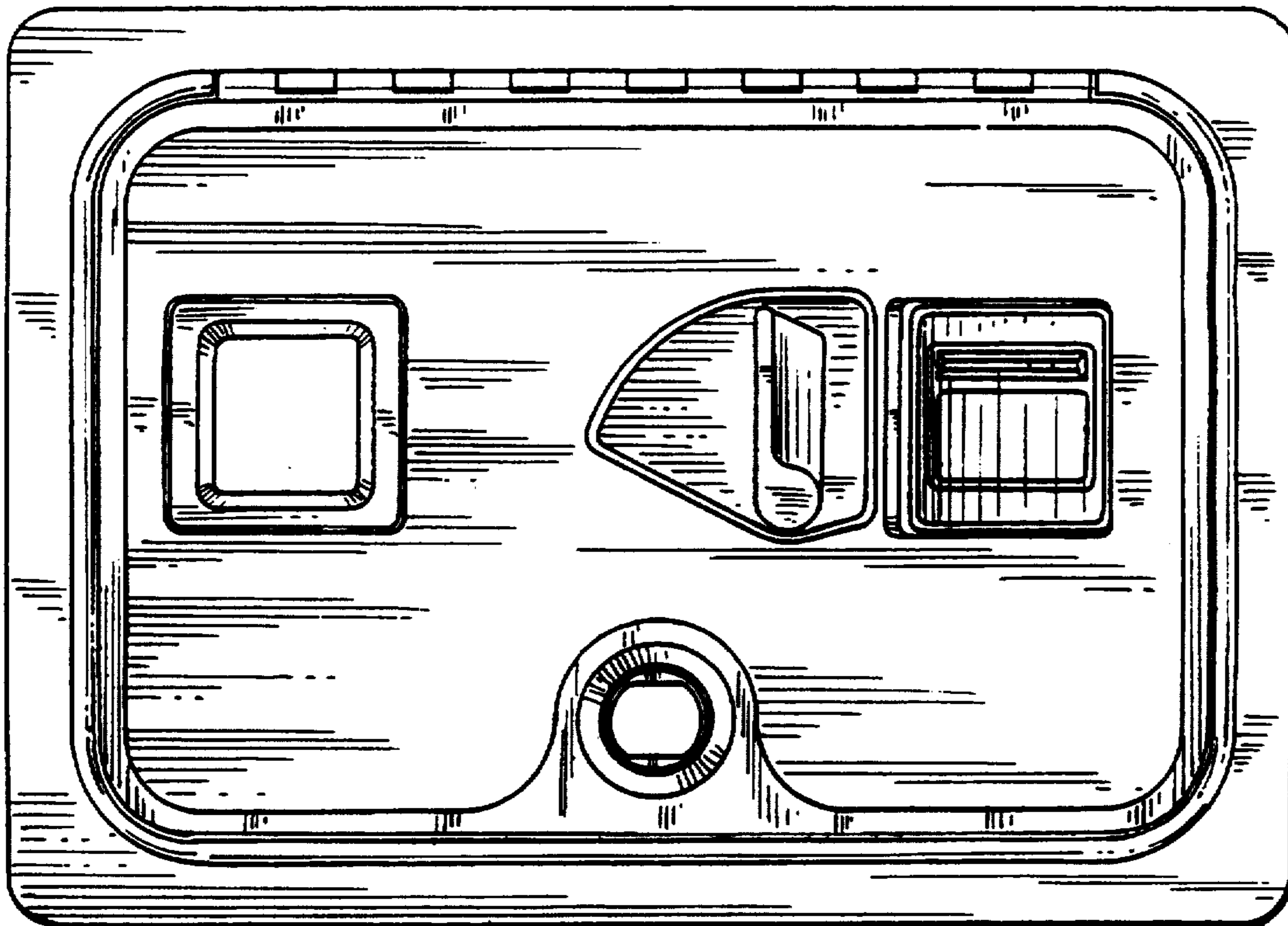
Primary Examiner—Bernard Ansher
Assistant Examiner—Paula Mortimer
Attorney, Agent, or Firm—Hopgood, Calimafde, Kalil & Judlowe

[57] **CLAIM**

The ornamental design for a coin door bracket for a vending machine, as shown and described.

DESCRIPTION

FIG. 1 is a front perspective view of a coin door bracket for a vending machine showing my new design;
FIG. 2 is a rear perspective view of the coin door bracket;
FIG. 3 is a front elevational view of a coin door bracket for a vending machine;
FIG. 4 is a left side view of the coin door bracket shown in FIG. 2;
FIG. 5 is a bottom plan view of a coin door bracket for a vending machine;
FIG. 6 is a right side view coin of the coin door bracket shown in FIG. 2;
FIG. 7 is a left end view of the coin door bracket shown in FIG. 2; and,
FIG. 8 is a right end view of the coin door bracket shown in FIG. 2.



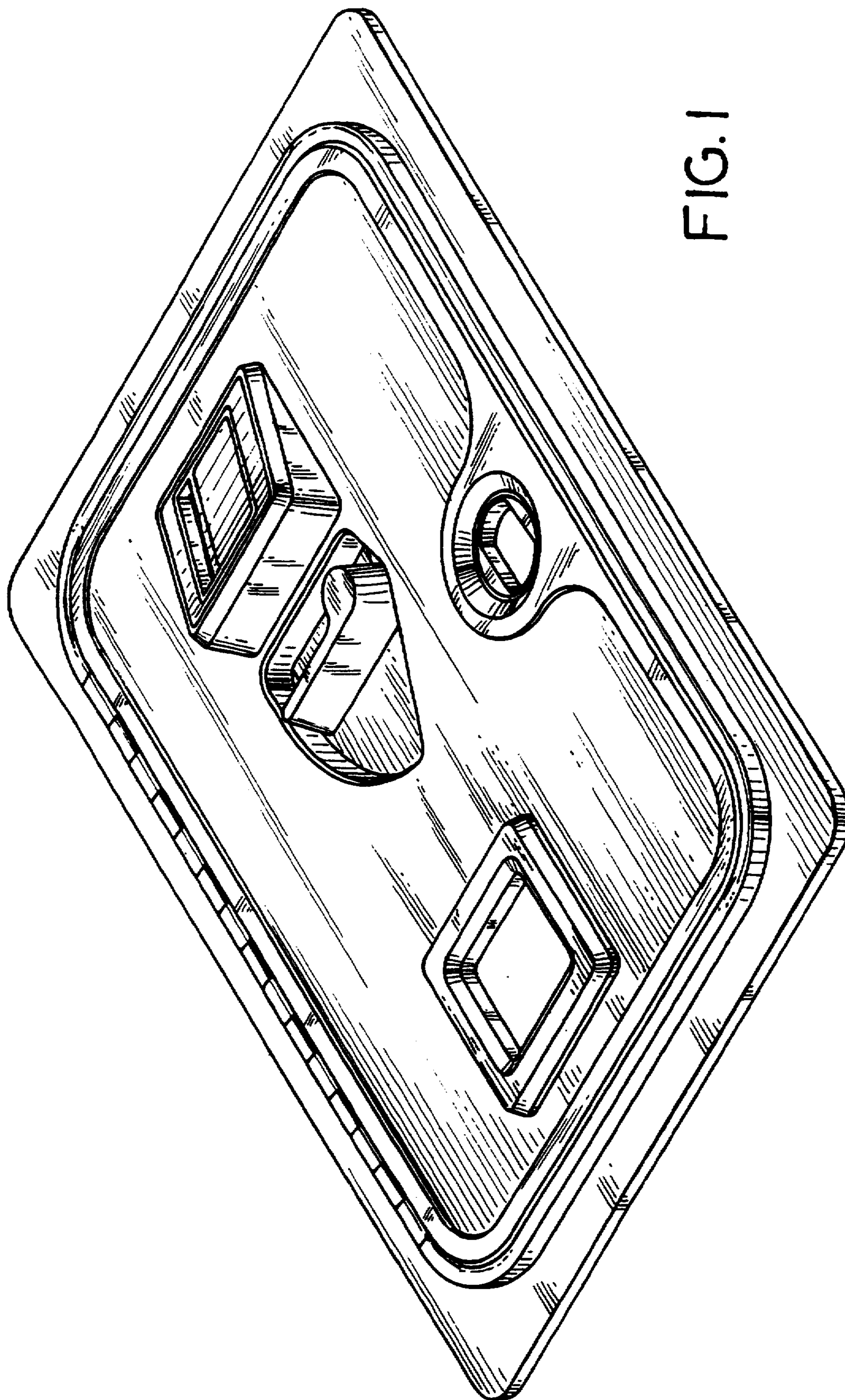


FIG. 1

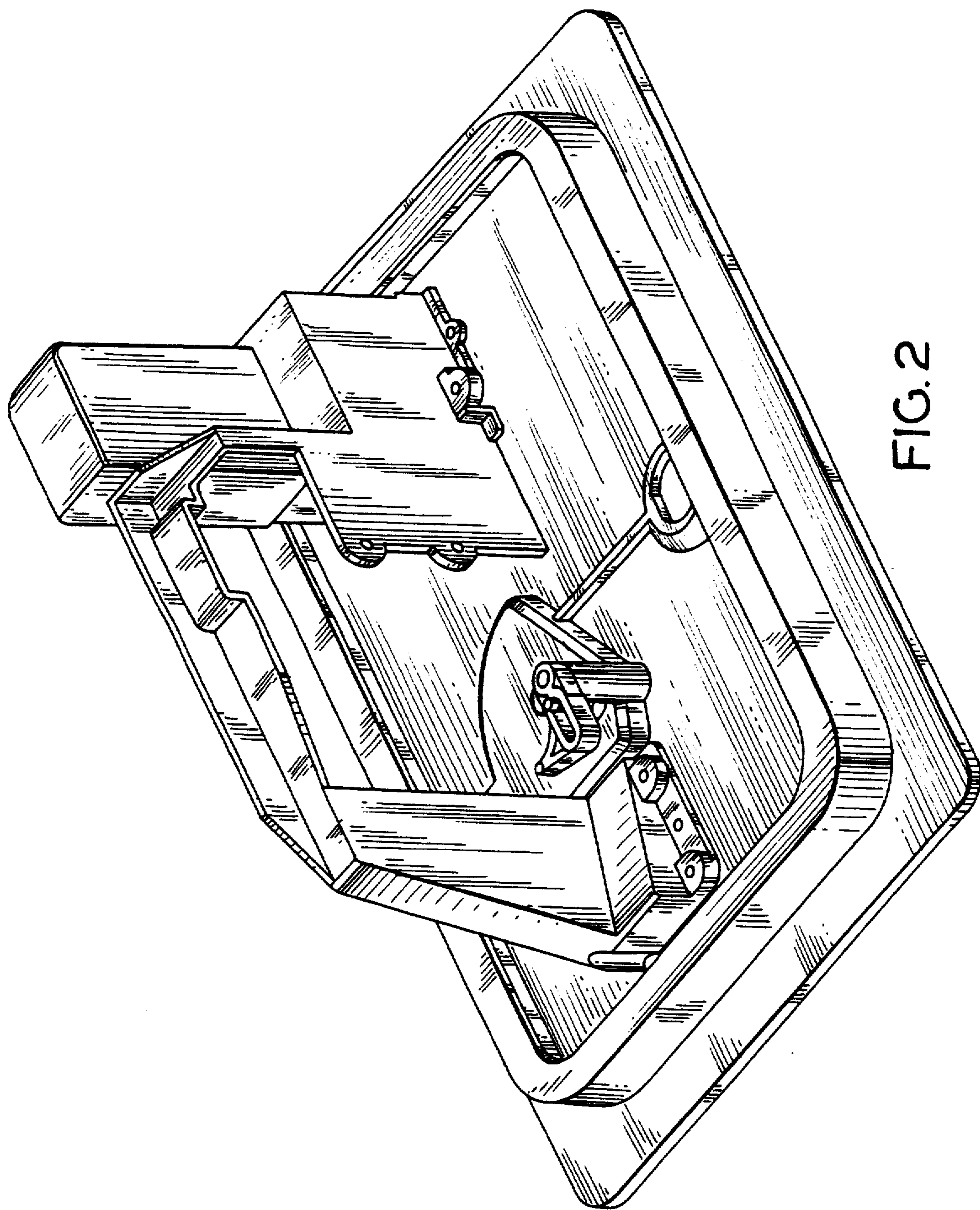


FIG. 2

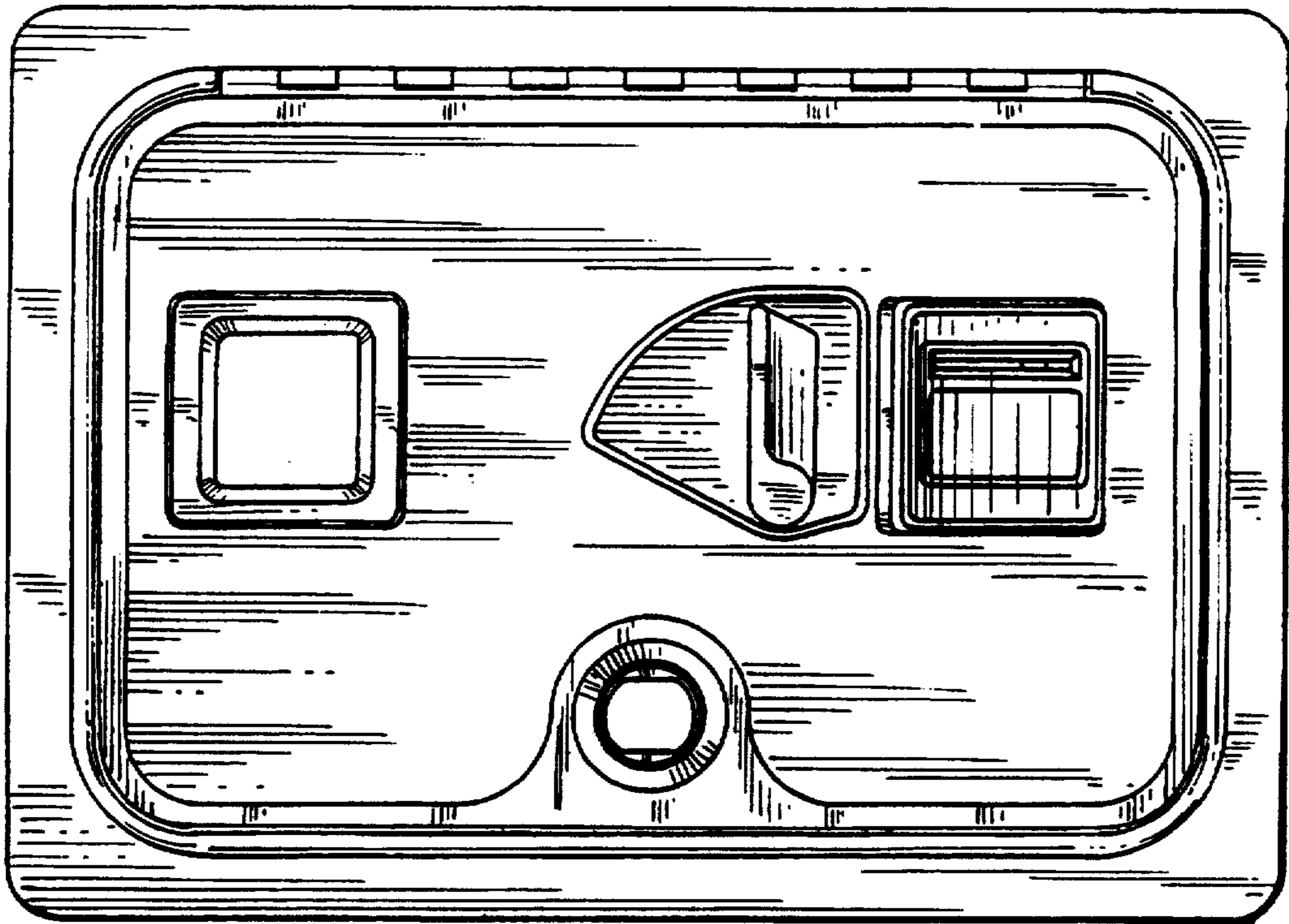


FIG. 3

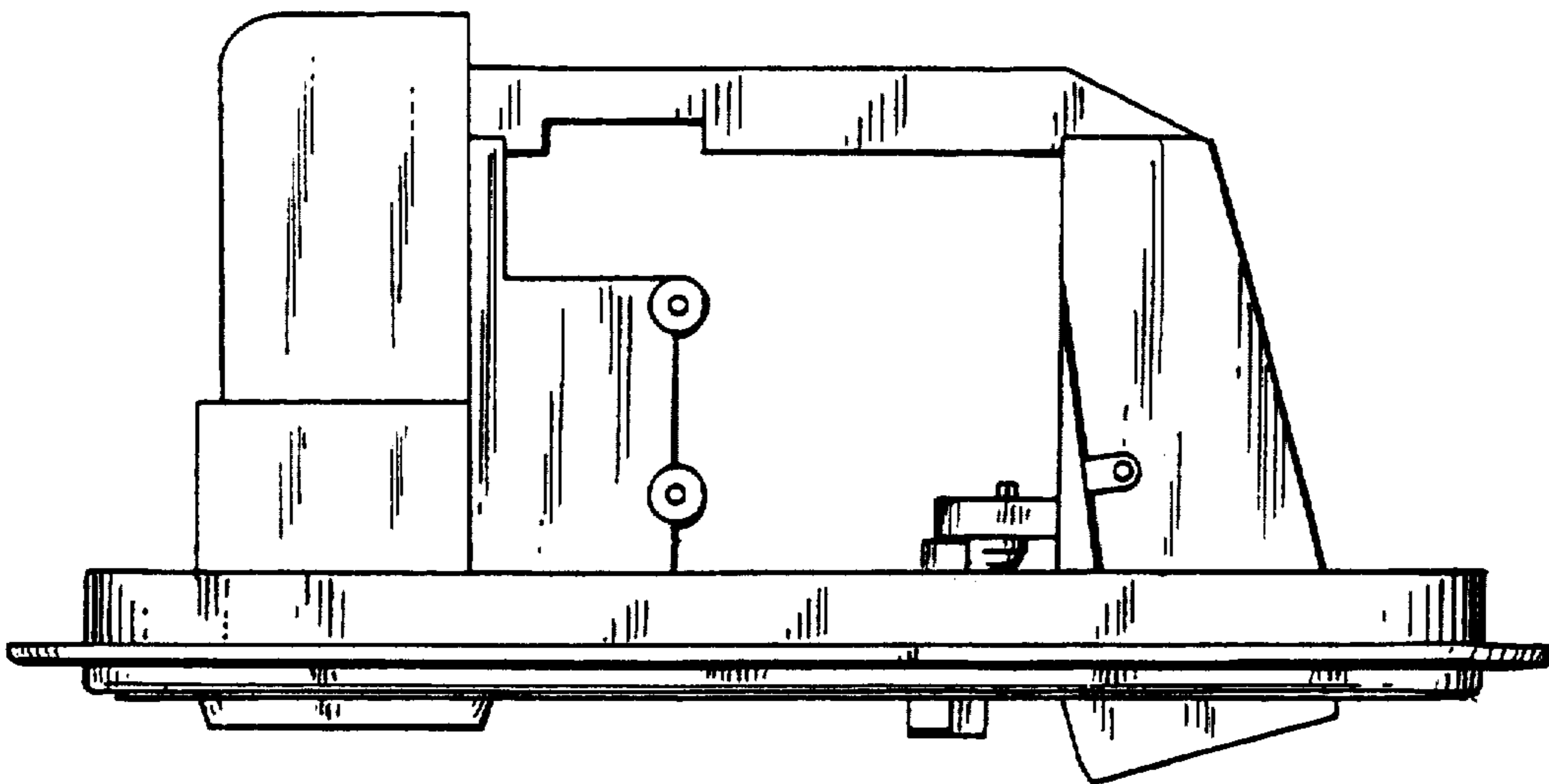


FIG. 4

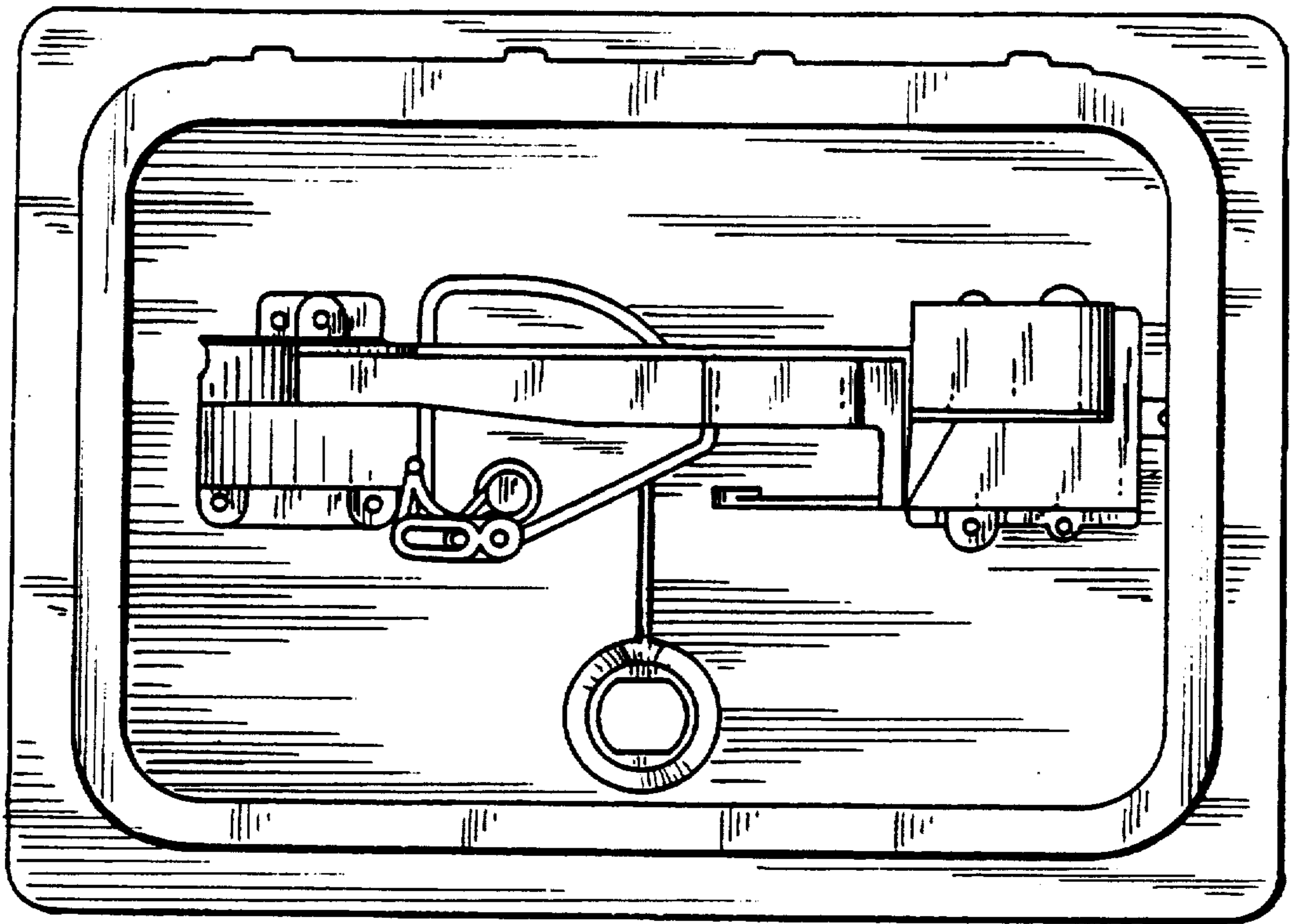


FIG. 5

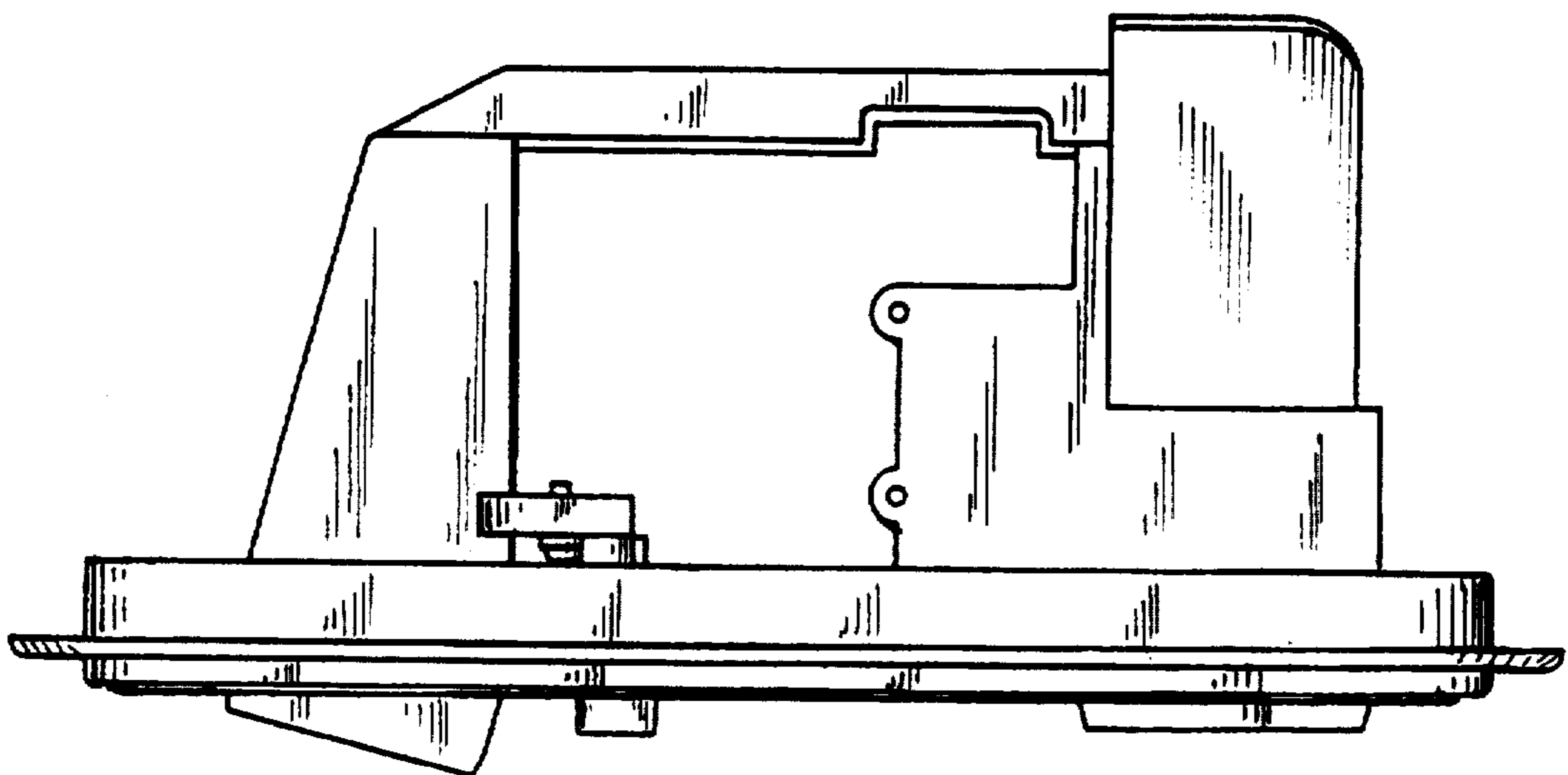


FIG. 6

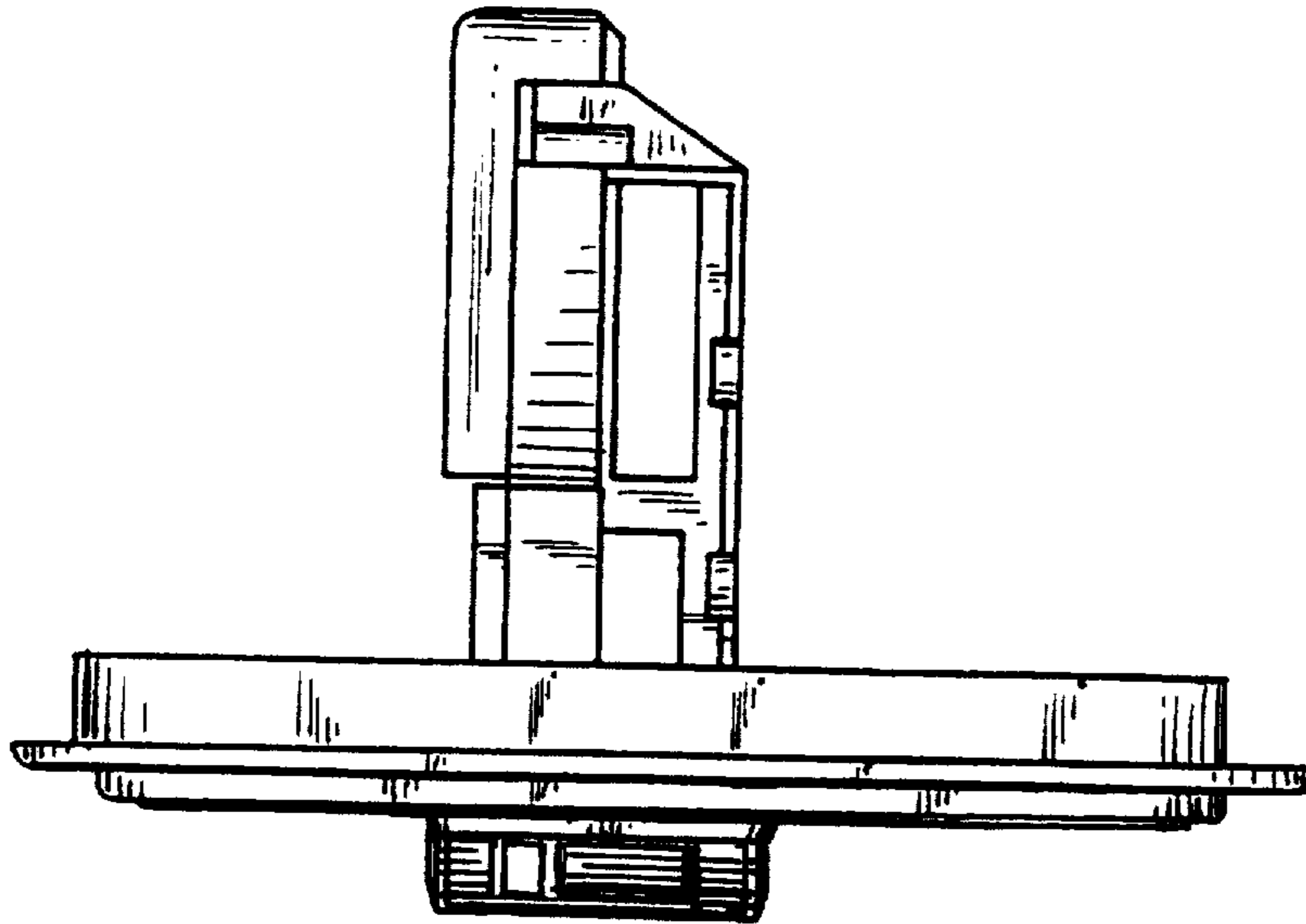


FIG. 7

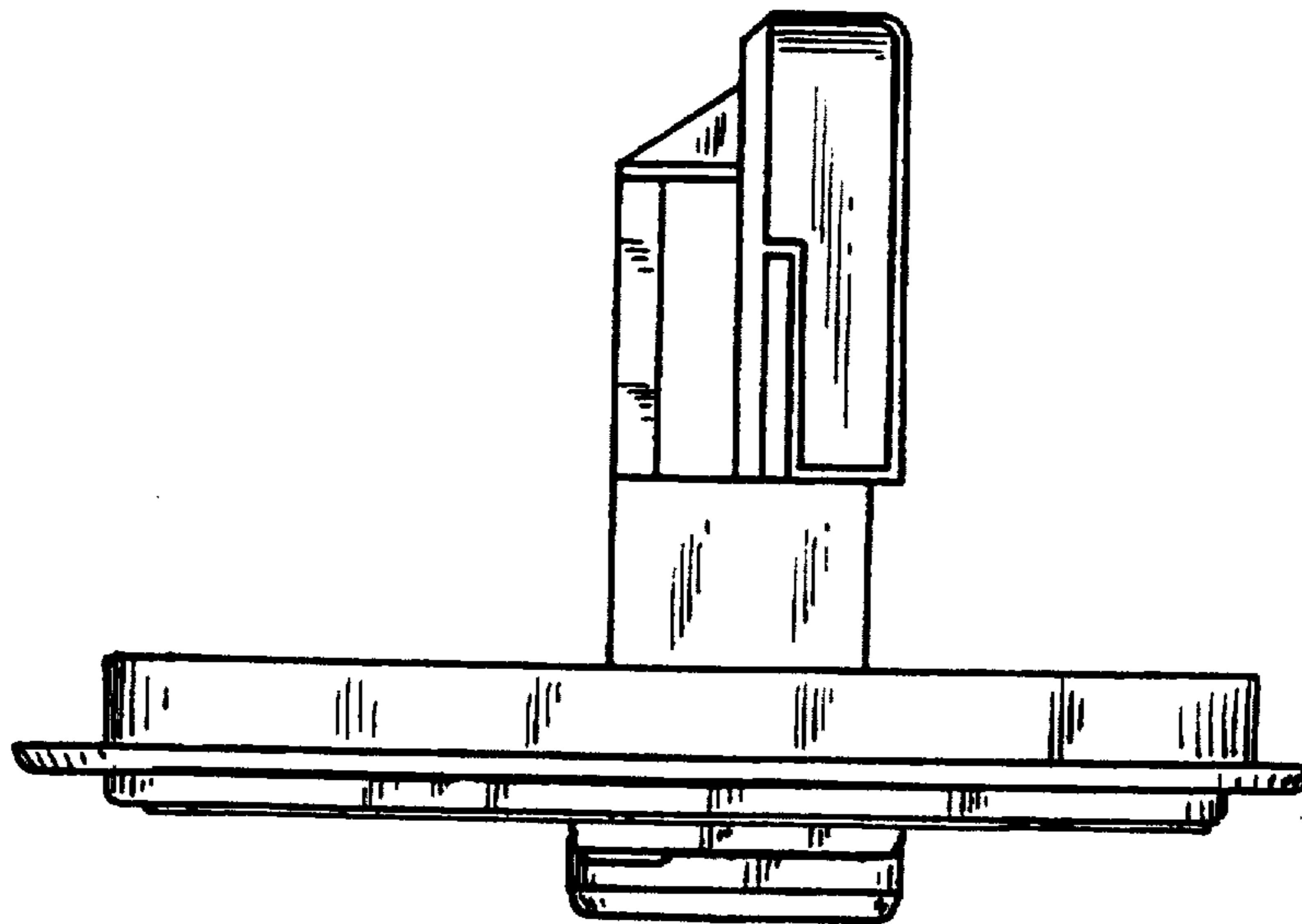


FIG. 8