



US00D351419S

United States Patent [19]

[11] Patent Number: **Des. 351,419**

Goekler

[45] Date of Patent: **** Oct. 11, 1994**

[54] **COPYHOLDER**

4,934,853 6/1990 King, III 248/442.2
5,279,488 1/1994 Fleming 248/447 X

[75] Inventor: **Malcolm L. Goekler, Laredo, Tex.**

Primary Examiner—Martie Thompson
Attorney, Agent, or Firm—Synnestvedt & Lechner

[73] Assignee: **Hunt Holdings, Inc., Wilmington, Del.**

[57] **CLAIM**

[**] Term: **14 Years**

The ornamental design for a copyholder, as shown and described.

[21] Appl. No.: **10,336**

DESCRIPTION

[22] Filed: **Jul. 2, 1993**

[52] U.S. Cl. **D19/88; D14/114; D19/90**

[58] **Field of Search** 40/341; 248/441.1, 442.2, 248/447, 447.1, 447.2, 450, 451, 452, 460, 462; D14/114; D19/35, 36, 65, 75, 78, 86, 88, 90, 91, 99, 100

FIG. 1 is a bottom, right front perspective view of a copyholder showing my new design;

FIG. 2 is a top, left rear perspective view showing my new design;

FIG. 3 is a front elevational view showing my new design;

FIG. 4 is a rear elevational view showing my new design;

FIG. 5 is a side elevational view as seen from the left of FIG. 3;

FIG. 6 is a side elevational view as seen from the right of FIG. 3;

FIG. 7 is a top plan view thereof, as seen from the right of FIG. 3; and,

FIG. 8 is a bottom plan view thereof.

[56] **References Cited**

U.S. PATENT DOCUMENTS

D. 301,044	5/1989	Judd	D19/88
D. 309,607	7/1990	Nemeth	D14/114
D. 324,882	3/1992	Judd	D19/65 X
D. 327,502	6/1992	Maloney	D19/86 X
4,690,285	9/1987	Stone	248/442.2

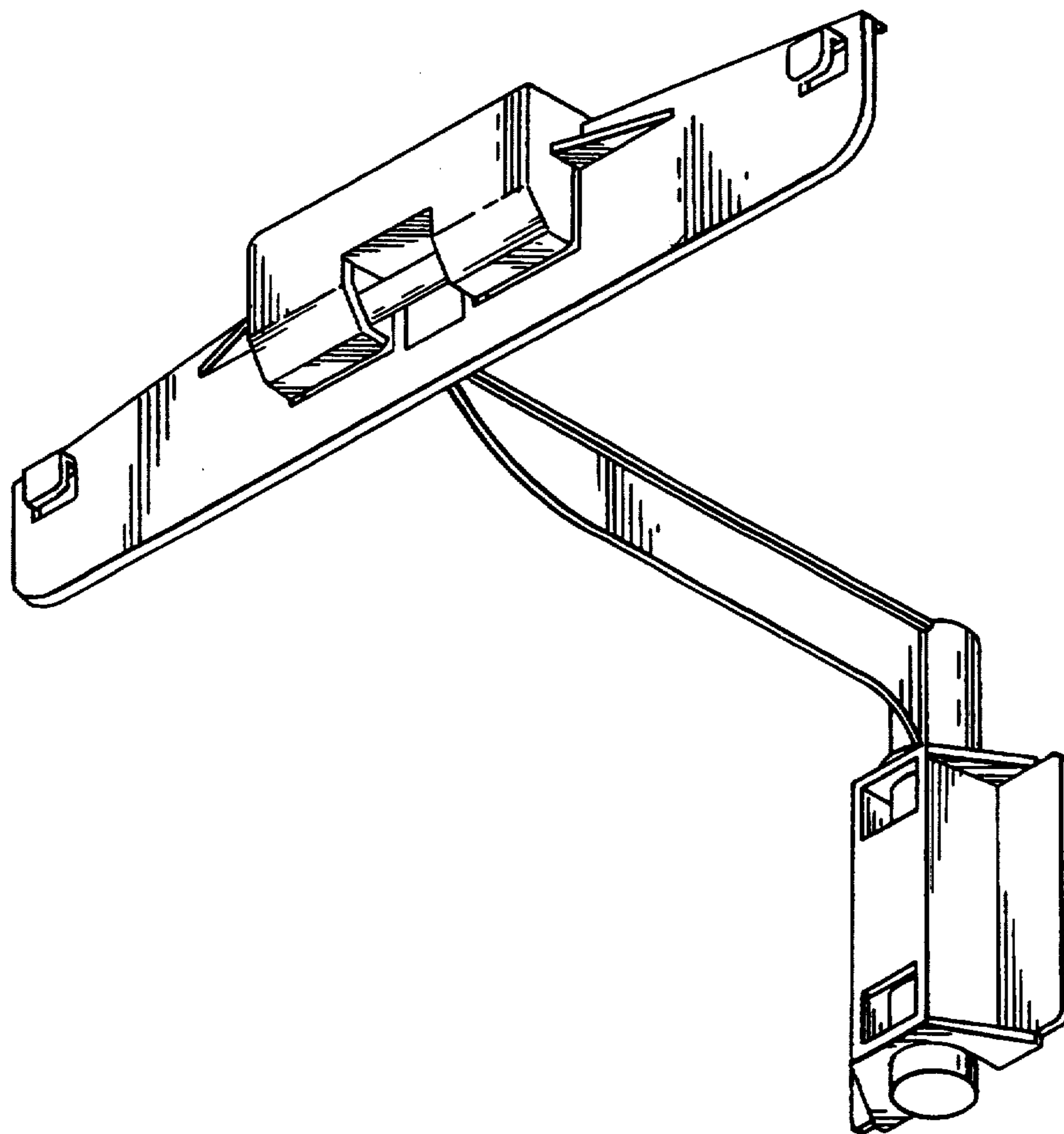


FIG. 1

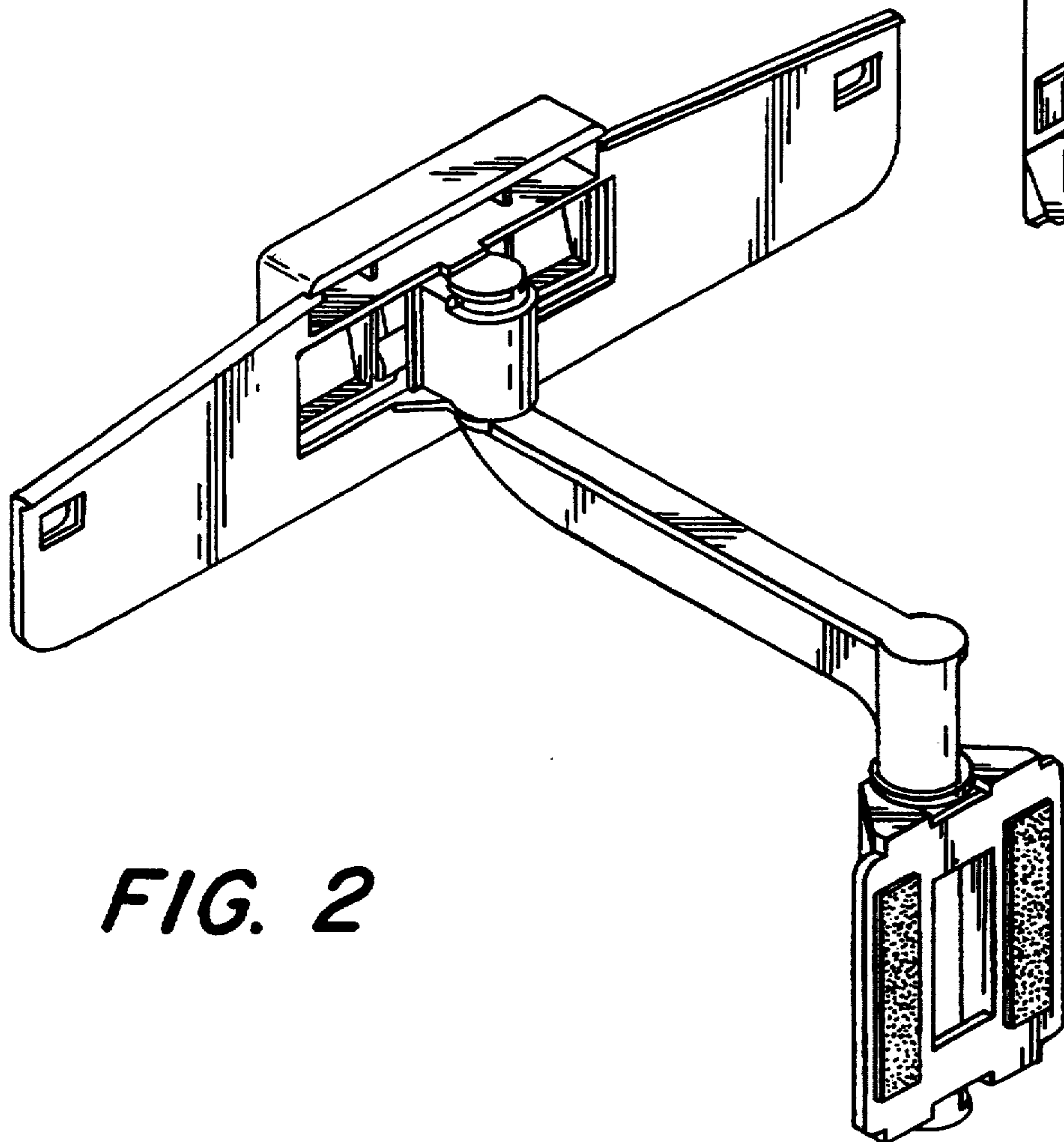
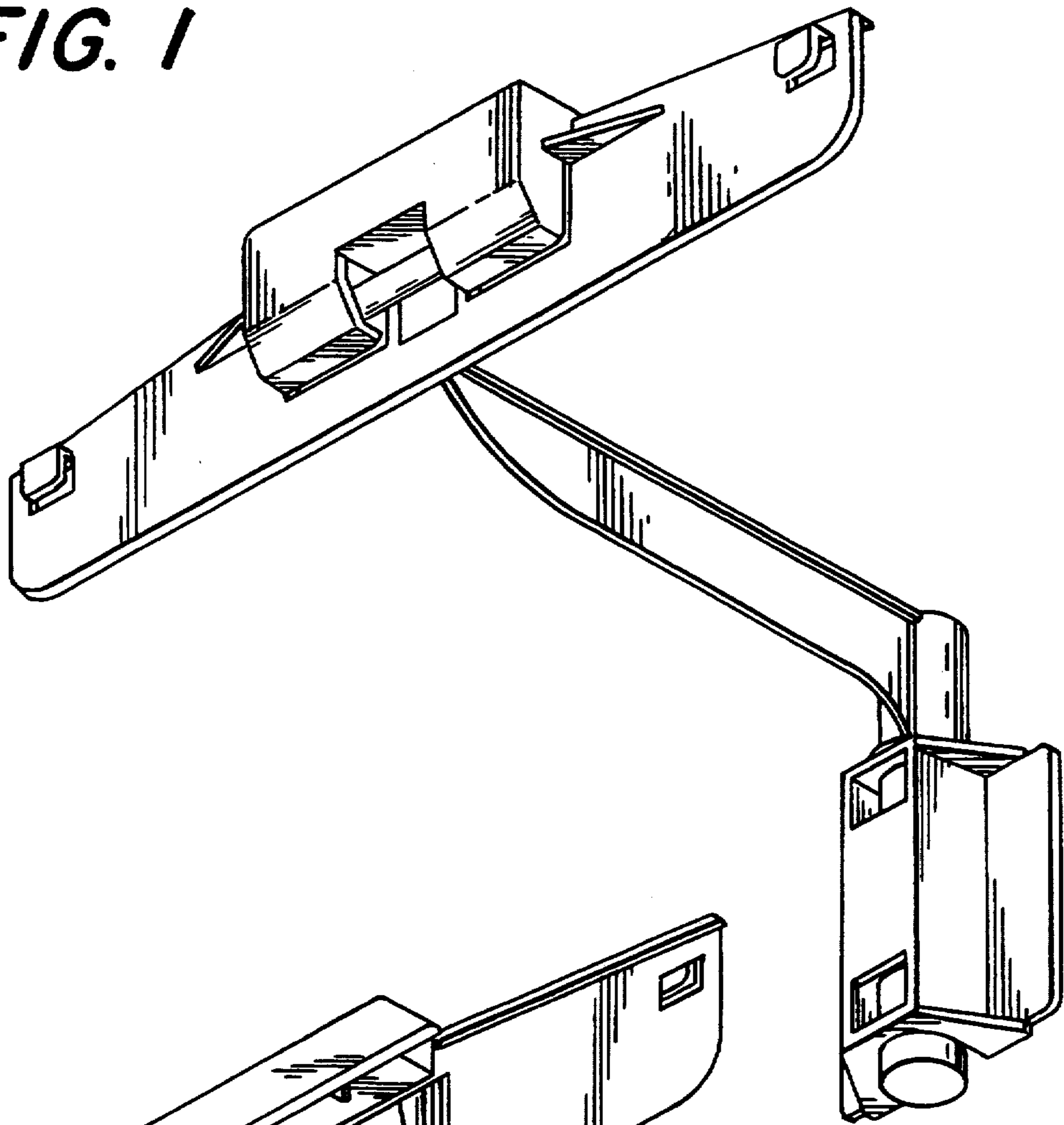


FIG. 2

FIG. 3

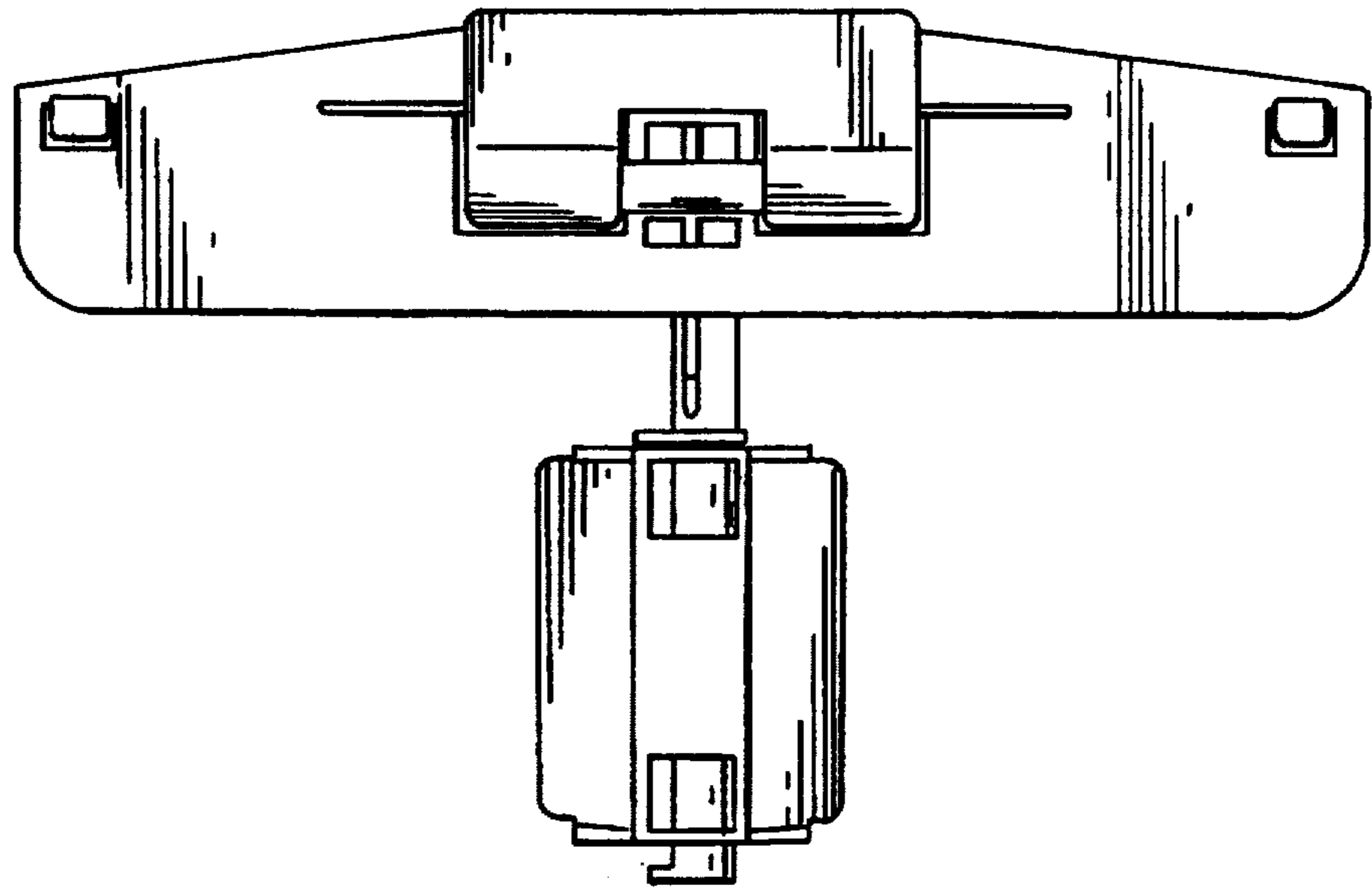


FIG. 4

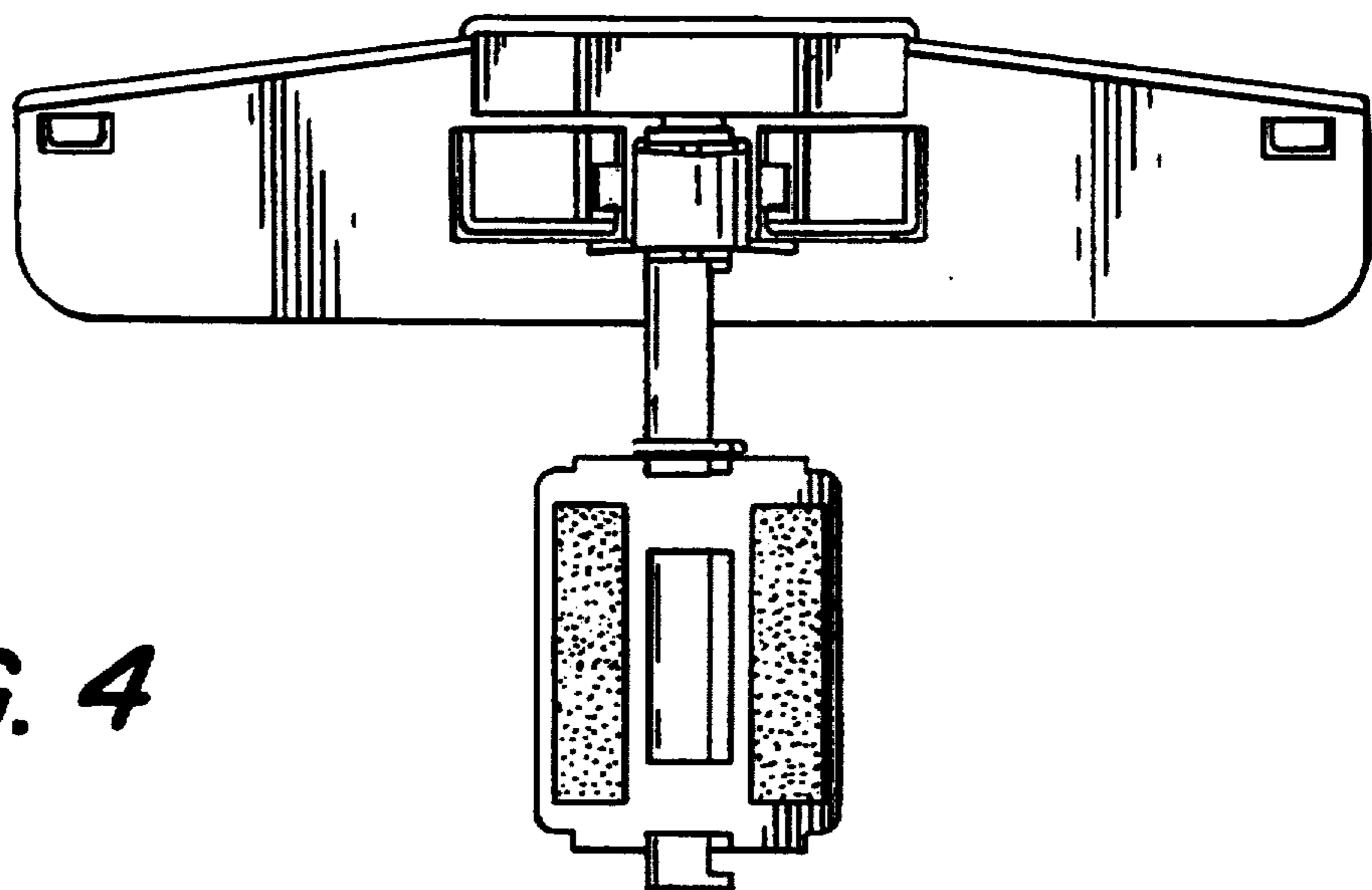


FIG. 5

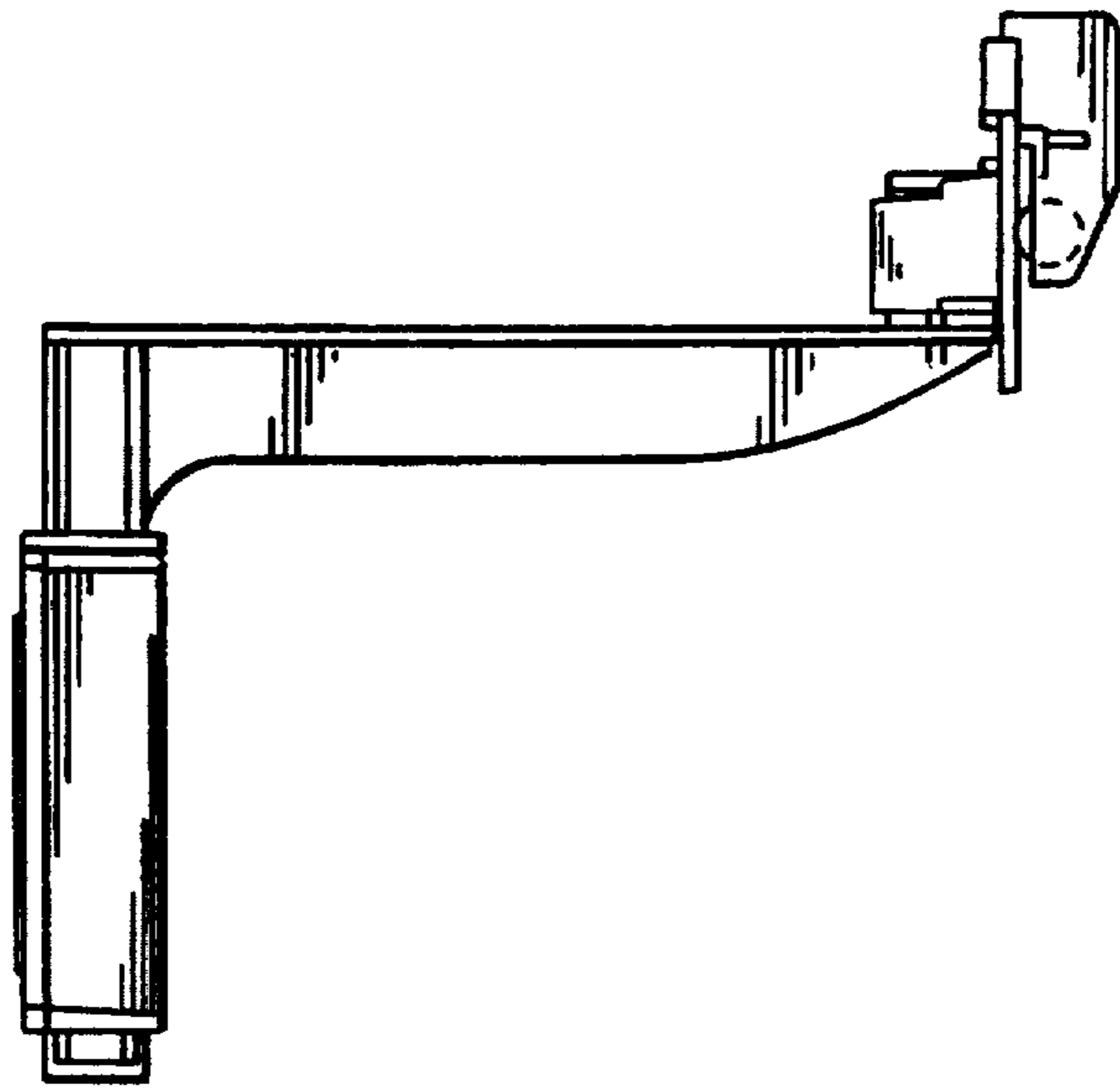


FIG. 6

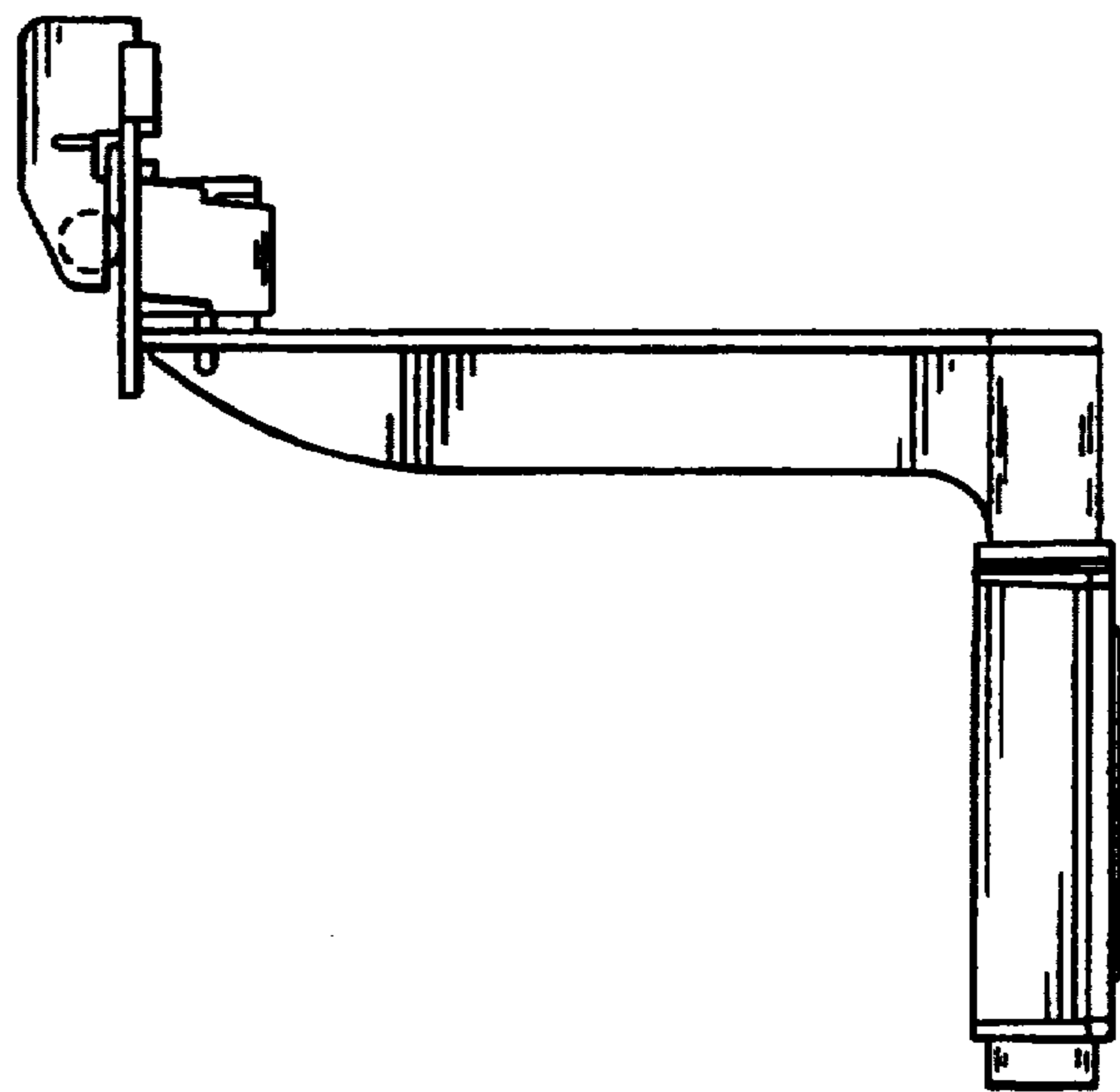


FIG. 7

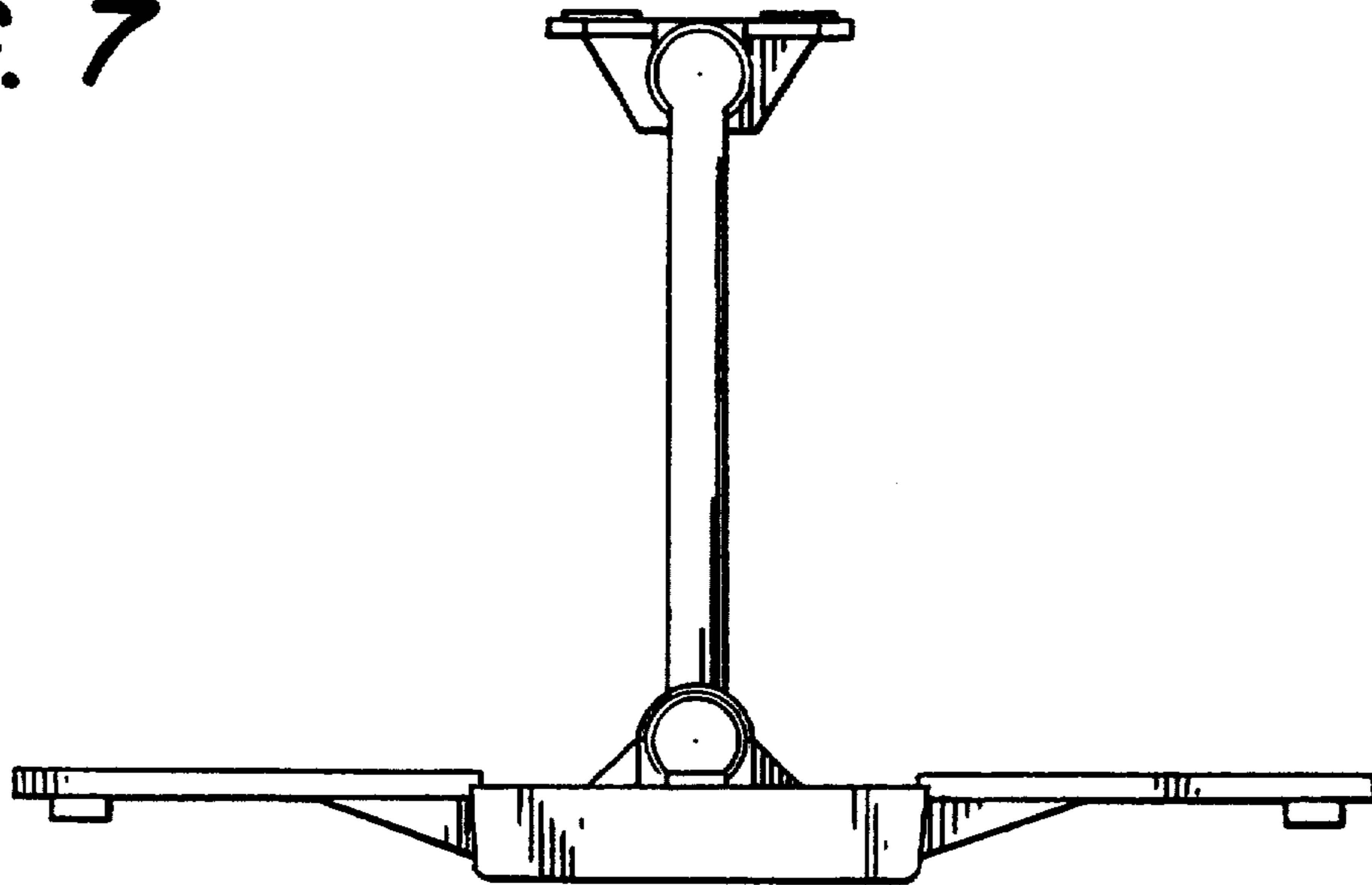


FIG. 8

