



US00D351412S

# United States Patent [19]

[11] Patent Number: **Des. 351,412**

Noonan et al.

[45] Date of Patent: **\*\* Oct. 11, 1994**

[54] **COMBINED DAISY-WHEEL AND HOUSING FOR A DEBOSSING STAMPER**

4,820,066 4/1989 Link ..... 400/144.2  
4,930,911 6/1990 Sampson et al. .... 400/28

[75] Inventors: **Daniel T. Noonan**, Greene, N.Y.;  
**William A. Banks**, Carrollton, Tex.;  
**Roger M. Gray**, Lewisville, Tex.;  
**Barry C. Kockler**, Lewisville, Tex.

### FOREIGN PATENT DOCUMENTS

0199658 10/1985 Japan ..... 400/175  
8105753 7/1983 Netherlands ..... 400/175

[73] Assignee: **Taurus Impressions, Inc.**, Mountain View, Calif.

### OTHER PUBLICATIONS

“Automark Marking Systems” ACEP-J1B Brochure, Defiance Machine and Tool Co., Inc., published Feb., 1985.

[\*\*] Term: **14 Years**

“Easymark” Hot Foil Lettering Brochure, Didde Graphic Systems Corporation pre-1986, 9 pages.

[21] Appl. No.: **10,715**

*Primary Examiner*—Cathy Anne MacCormac  
*Attorney, Agent, or Firm*—Skjerven, Morrill, MacPherson, Franklin & Friel

[22] Filed: **Jun. 17, 1993**

[52] U.S. Cl. .... **D18/56**

[58] Field of Search ..... 400/144.2, 175; **D18/12, D18/59**

### [57] CLAIM

The ornamental design for a combined daisy-wheel and housing for a debossing stamper, as shown and described.

### [56] References Cited

#### U.S. PATENT DOCUMENTS

D. 265,099	6/1982	Feinstein, Jr. et al. ....	D18/56
D. 280,641	5/1985	Harden et al. ....	D18/12
D. 291,208	8/1987	Tamada et al. ....	D18/12
4,074,798	2/1978	Berger .....	400/144.3
4,264,221	4/1981	Habich et al. ....	400/175
4,507,000	3/1985	Mathias .....	400/175
4,507,001	3/1985	Babler .....	400/175
4,541,746	9/1985	Bobart et al. ....	400/144.2
4,576,494	3/1986	Smith .....	400/175
4,627,753	12/1986	Matsui .....	400/175
4,717,271	1/1988	Bauer et al. ....	400/175
4,810,114	3/1989	Babler .....	400/144.2

### DESCRIPTION

FIG. 1 is a perspective view of a combined daisy-wheel housing for a debossing stamper and showing our new design;

FIG. 2 is a top plan view thereof;

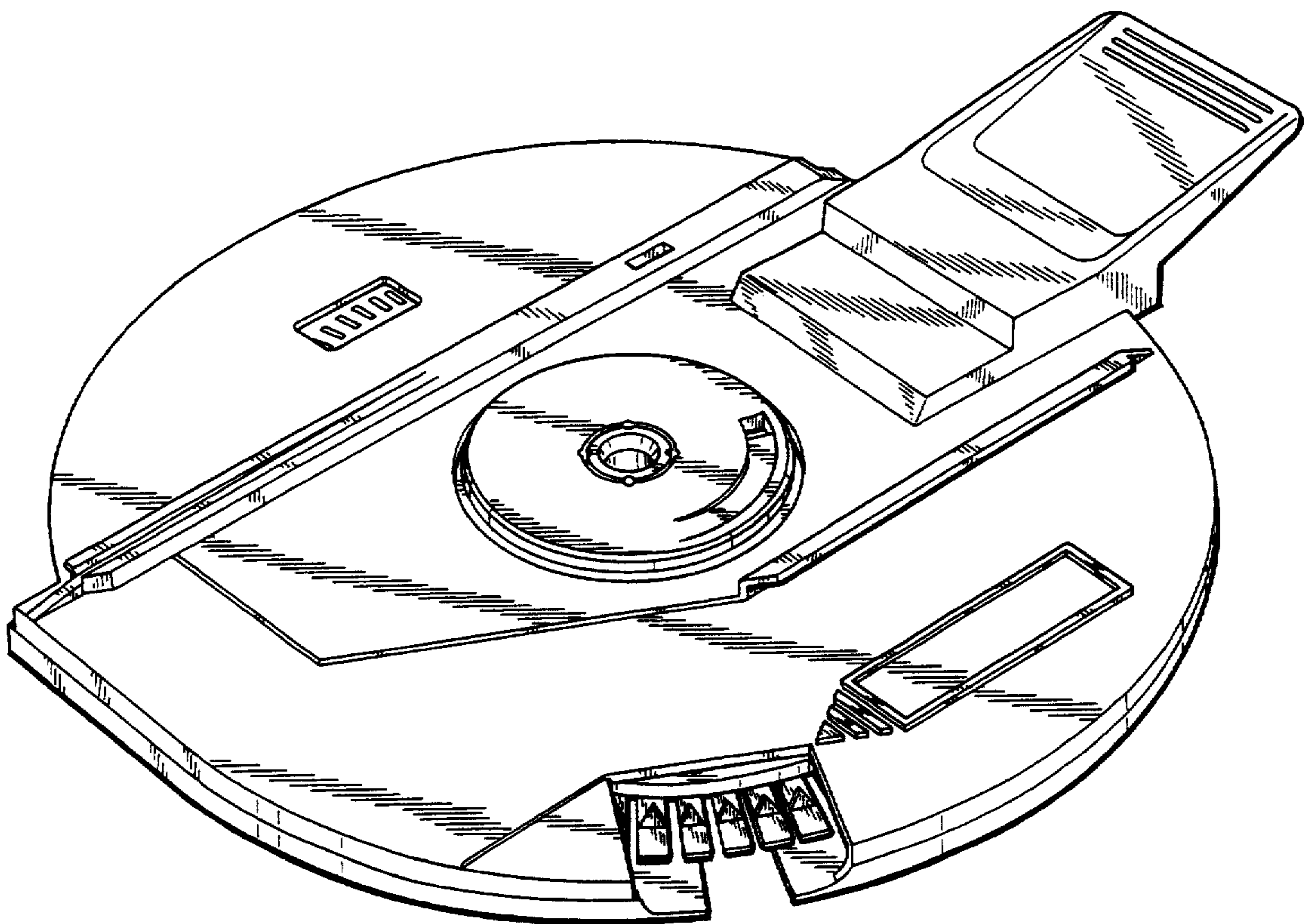
FIG. 3 is a front elevation view thereof;

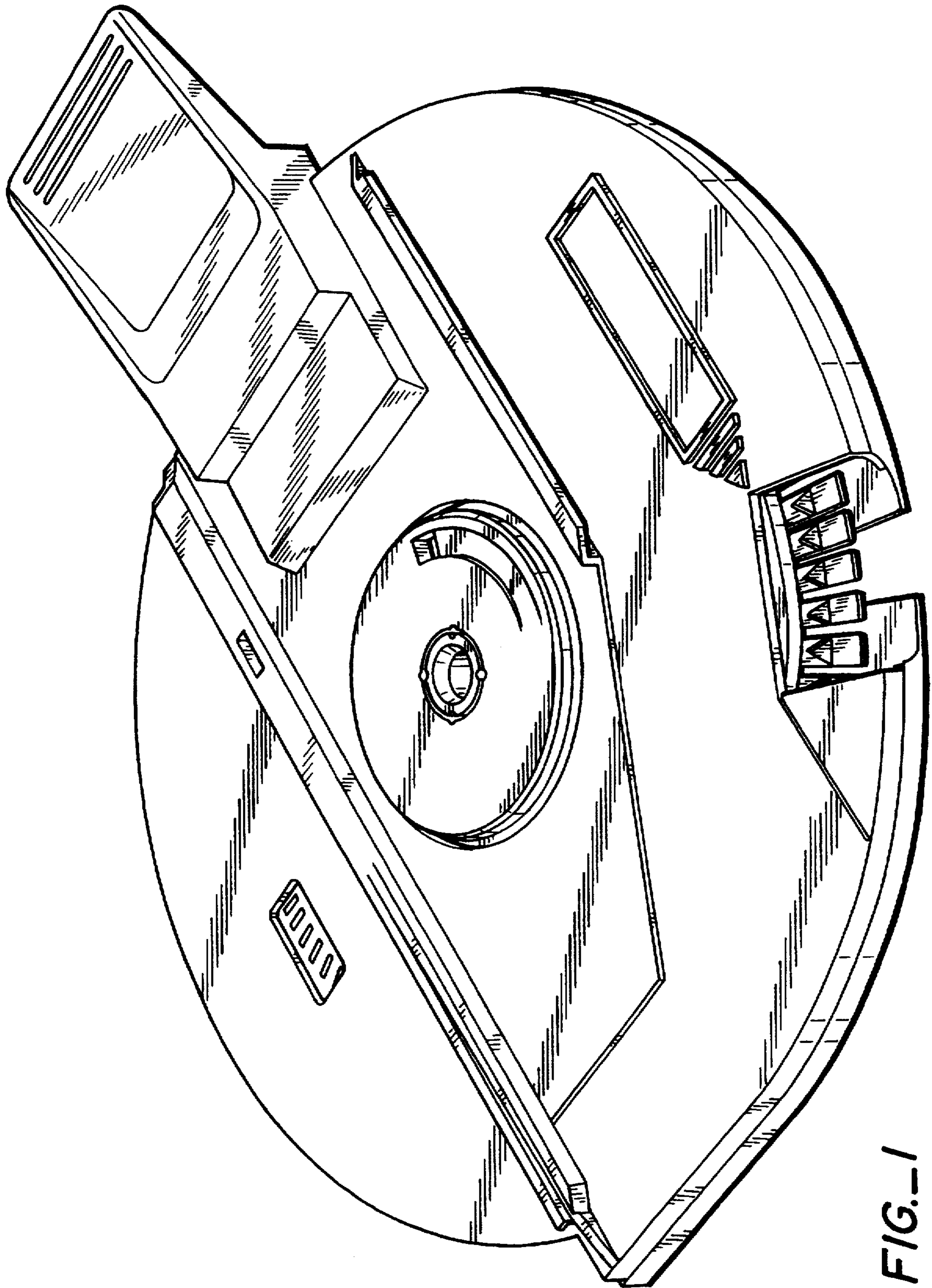
FIG. 4 is a left-hand end elevation view thereof;

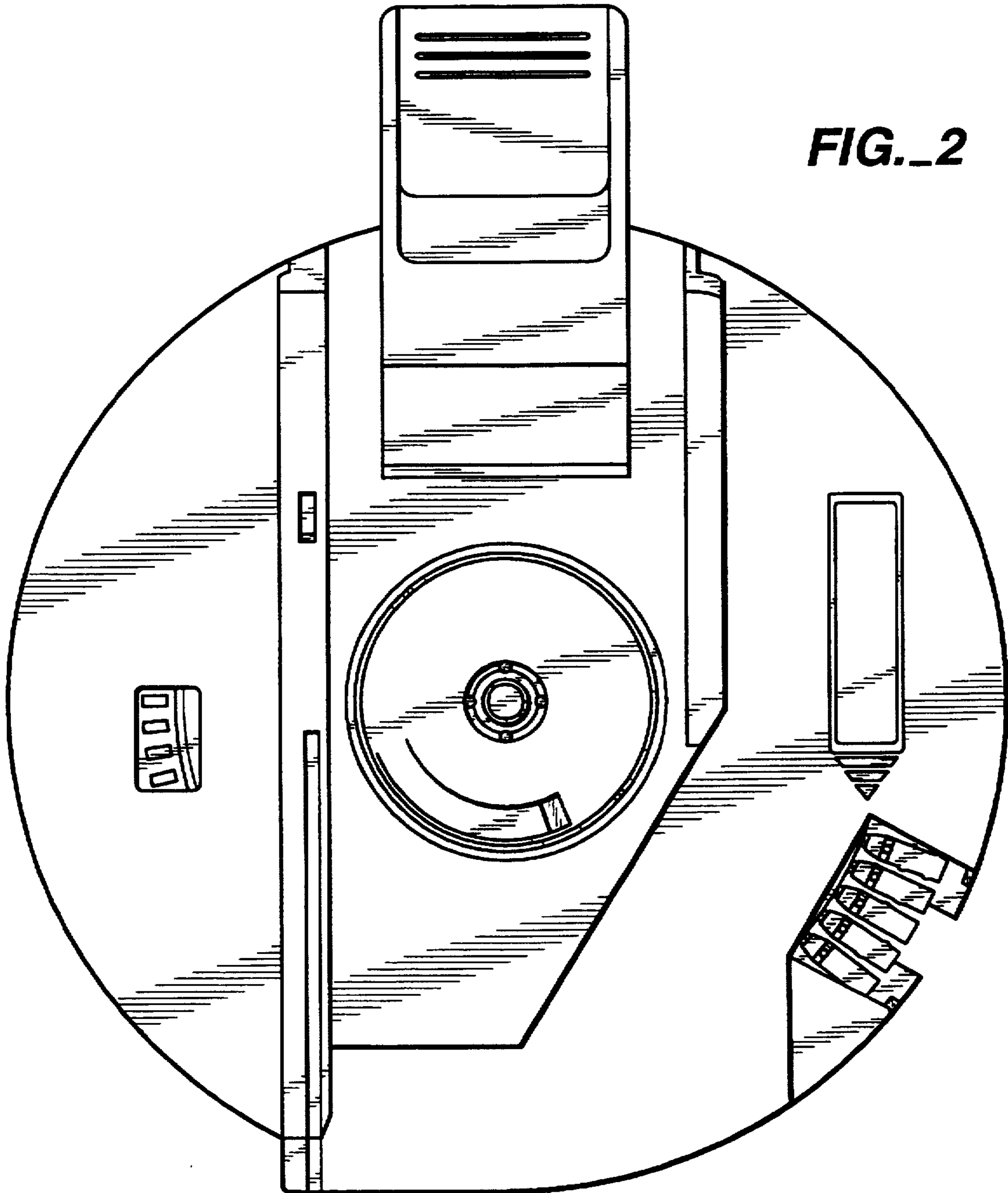
FIG. 5 is a right-hand end elevation view thereof;

FIG. 6 is a bottom plan view thereof; and,

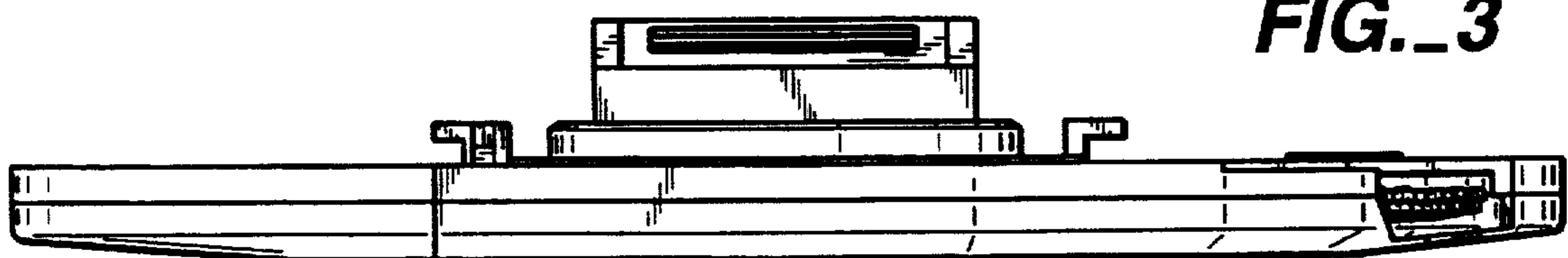
FIG. 7 is a rear elevation view thereof.







**FIG. 2**



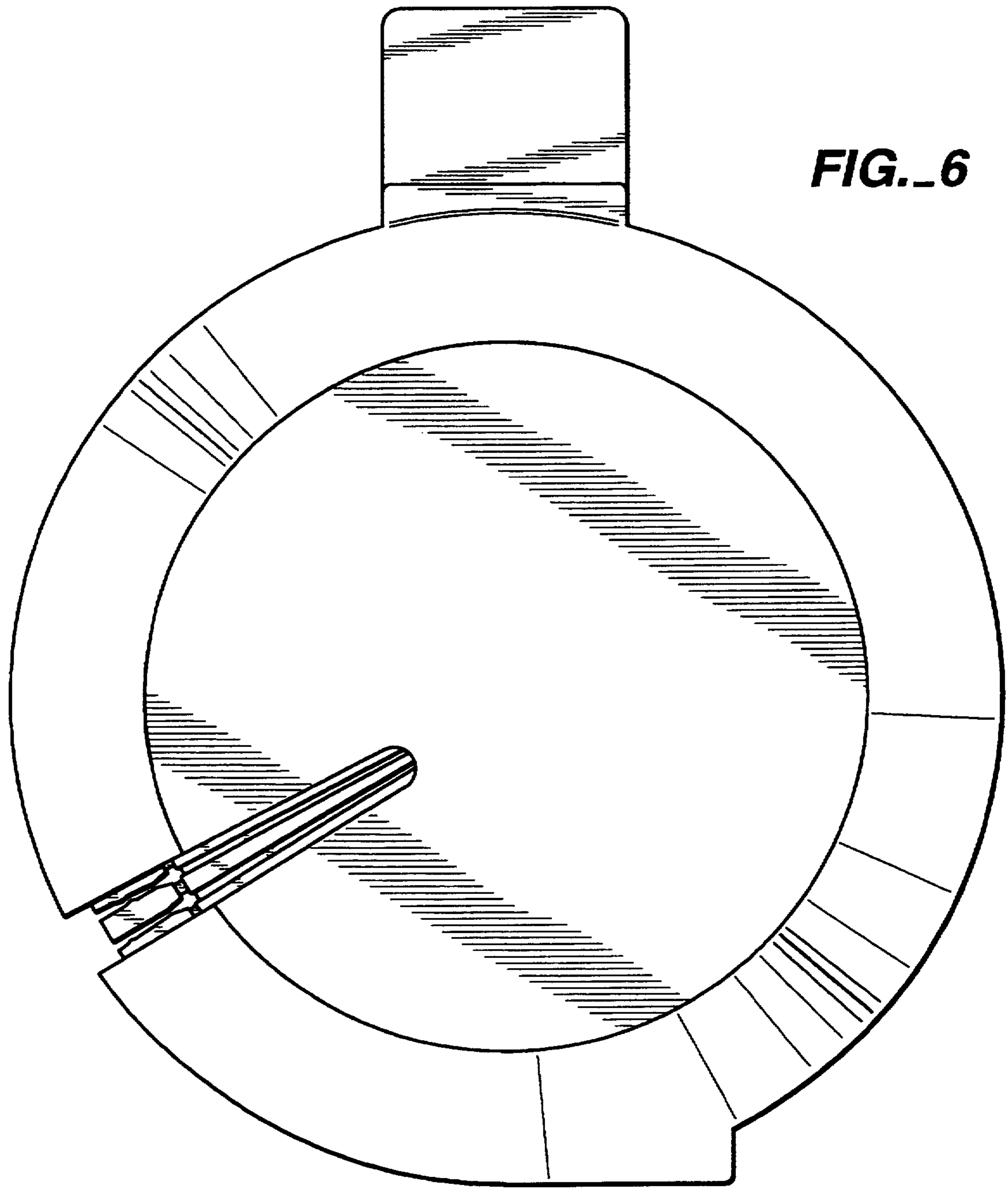
**FIG. 3**



**FIG. 4**



**FIG. 5**



**FIG. 6**



**FIG. 7**