



US00D351411S

# United States Patent [19]

[11] Patent Number: **Des. 351,411**

Inoue et al.

[45] Date of Patent: **\*\* Oct. 11, 1994**

- [54] ERASER FOR DRUM OF PHOTOCOPIER
- [75] Inventors: **Kyouichi Inoue, Akishima; Yukitaka Kumagai, Hachiouji, both of Japan**
- [73] Assignee: **Olympus Optical Co., Ltd., Tokyo, Japan**
- [\*\*] Term: **14 Years**
- [21] Appl. No.: **889,090**
- [22] Filed: **May 26, 1992**
- [52] U.S. Cl. .... **D18/40**
- [58] Field of Search ..... **355/219; D18/40, 56**

4,959,688	9/1990	Kaitabashi .....	355/219
4,974,021	11/1990	Takemoto .....	355/219
5,030,992	7/1991	Yoneda et al. ....	355/219
5,204,717	4/1993	Reese et al. ....	355/219
5,250,991	10/1993	Ikeda .....	355/219

*Primary Examiner*—Cathy Anne MacCormac  
*Attorney, Agent, or Firm*—Frishauf, Holtz, Goodman & Woodward

### [57] CLAIM

The ornamental design for an eraser for drum of photocopier, as shown.

### DESCRIPTION

FIG. 1 is a top plan view of an eraser for drum of photocopier;  
 FIG. 2 is a front elevational view thereof;  
 FIG. 3 is a bottom plan view thereof;  
 FIG. 4 is a rear elevational view thereof;  
 FIG. 5 is a right side elevational view thereof;  
 FIG. 6 is a left side elevational view thereof; and,  
 FIG. 7 is a perspective view thereof taken from the top, front and right end.

[56] **References Cited**  
**U.S. PATENT DOCUMENTS**

4,259,003	3/1981	Mangal et al. ....	355/219
4,272,183	6/1981	Maese et al. ....	355/219
4,454,559	6/1984	Shenoy .....	355/219
4,783,716	11/1988	Nagase et al. ....	355/219
4,914,480	4/1990	Endo .....	355/219
4,924,268	5/1990	Ogura .....	355/219

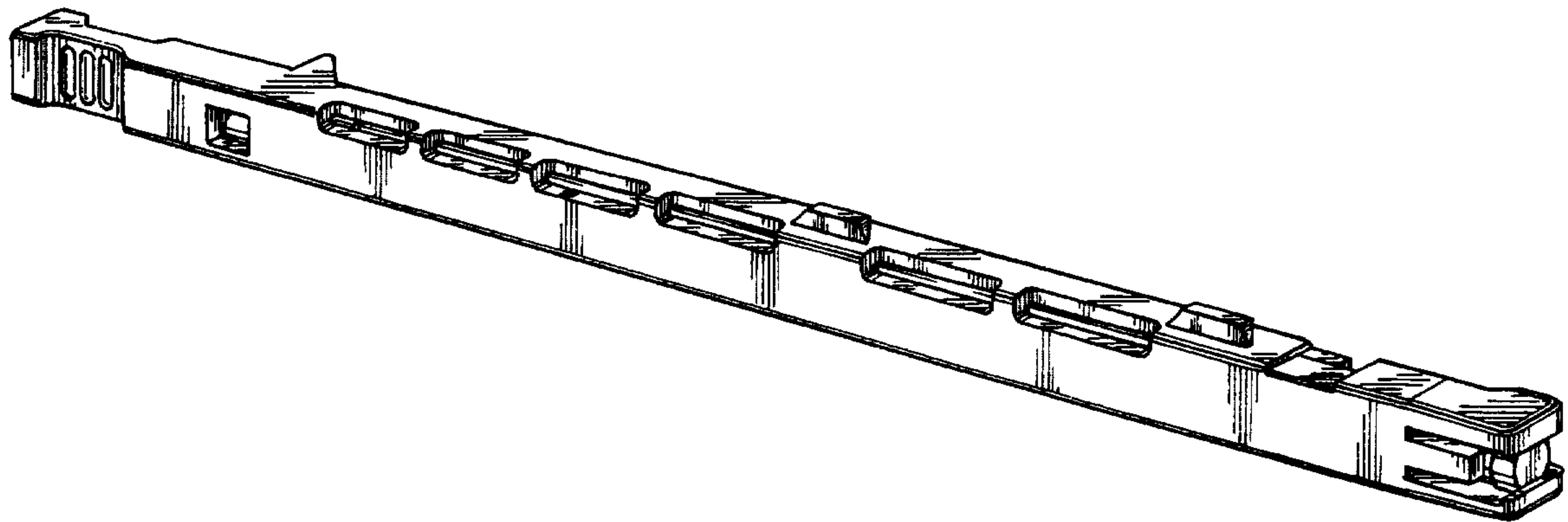


FIG. 1

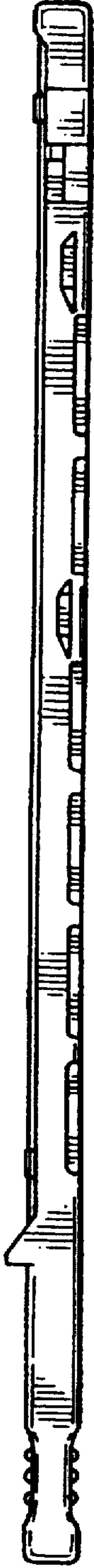


FIG. 2

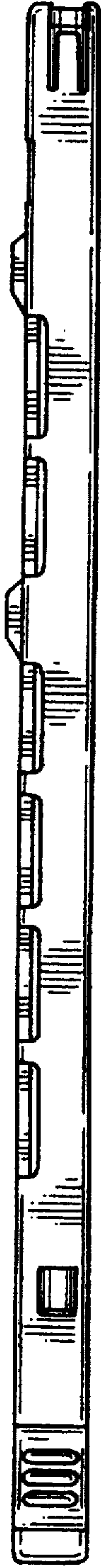


FIG. 3



FIG. 4

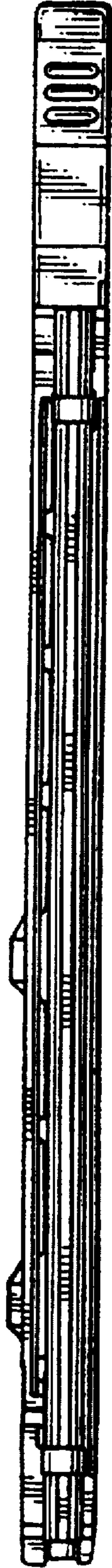


FIG. 5



FIG. 6



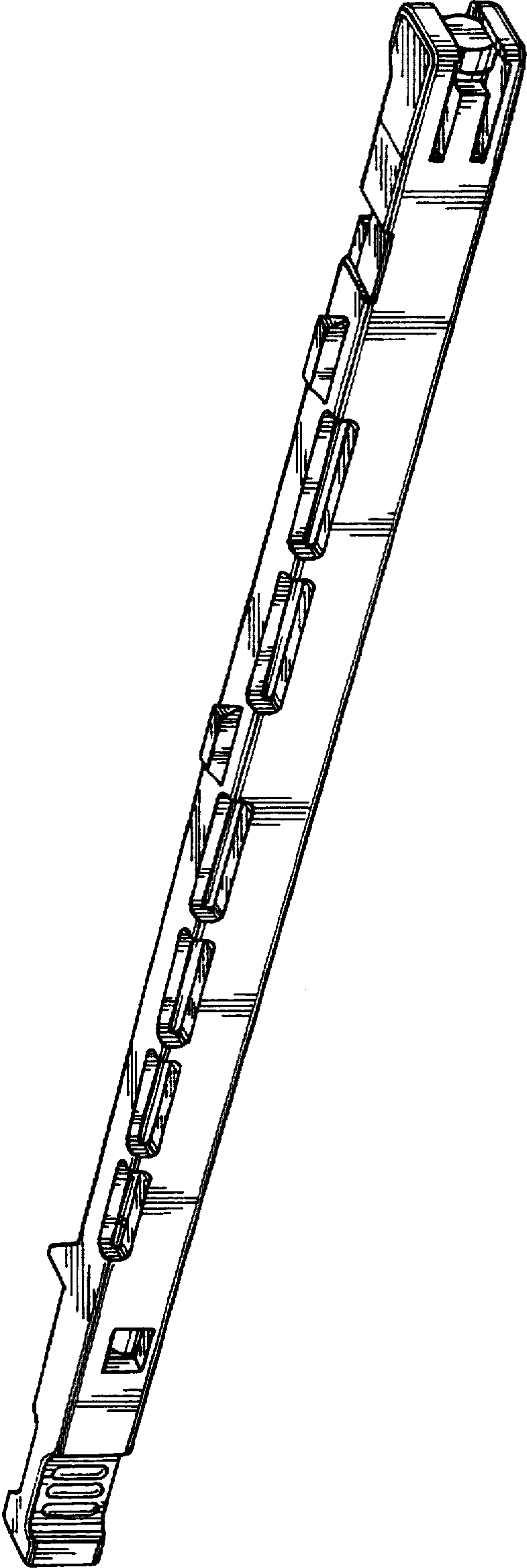


FIG. 7