



US00D351410S

United States Patent [19] Raleigh

[11] Patent Number: **Des. 351,410**

[45] Date of Patent: **** Oct. 11, 1994**

[54] **RIBBON CARTRIDGE**
 [75] Inventor: **James T. Raleigh, Sylmar, Calif.**
 [73] Assignee: **Dataproducts Corporation, Woodland Hills, Calif.**
 [**] Term: **14 Years**
 [21] Appl. No.: **903,882**
 [22] Filed: **Jun. 25, 1992**
 [52] U.S. Cl. **D18/12**
 [58] Field of Search 400/194, 195, 196, 196.1, 400/207, 208; D18/12, 56, 99

4,203,676 5/1980 Hatsell 400/208
 4,279,522 7/1981 Yonkers 400/196.1
 4,284,364 8/1981 Rello .

FOREIGN PATENT DOCUMENTS

0219081 12/1983 Japan 400/196.1
 0078781 4/1988 Japan 400/194
 4049082 2/1992 Japan 400/194

Primary Examiner—Alan P. Douglas
Assistant Examiner—Caron D. Veynar
Attorney, Agent, or Firm—Spensley Horn Jubas & Lubitz

[56] **References Cited**
U.S. PATENT DOCUMENTS

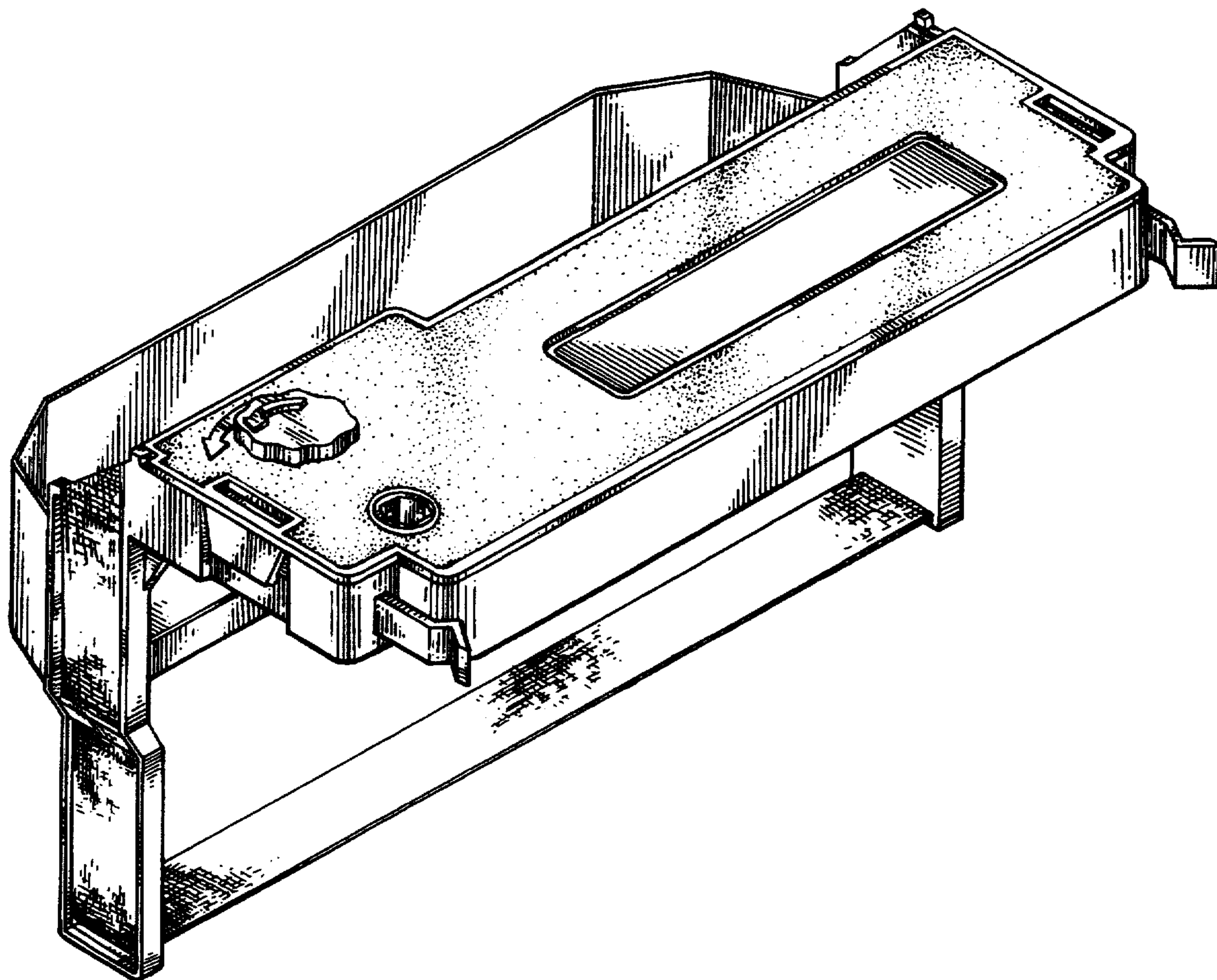
D. 92,699 7/1934 Budlong .
 D. 275,296 8/1984 Katori D18/12
 D. 280,212 8/1985 Bossack et al. D18/12
 D. 284,979 8/1986 Bossack et al. D18/12
 D. 319,837 9/1991 Urawa D18/12
 3,904,017 9/1975 Frechette .
 3,918,569 11/1975 Parker .
 3,941,231 3/1976 Matuck et al. .
 3,974,906 8/1976 Lee et al. .
 4,088,218 5/1978 Depew 400/196.1 X
 4,161,270 7/1979 Casey 400/196.1 X

[57] **CLAIM**

The design for a ribbon cartridge, as shown and described.

DESCRIPTION

FIG. 1 is a perspective view of a ribbon cartridge showing my new design;
 FIG. 2 is a front elevational view thereof;
 FIG. 3 is a rear elevational view thereof;
 FIG. 4 is a top plan view thereof;
 FIG. 5 is a bottom view thereof;
 FIG. 6 is a right side elevational view thereof; and,
 FIG. 7 is a left side elevational view thereof.



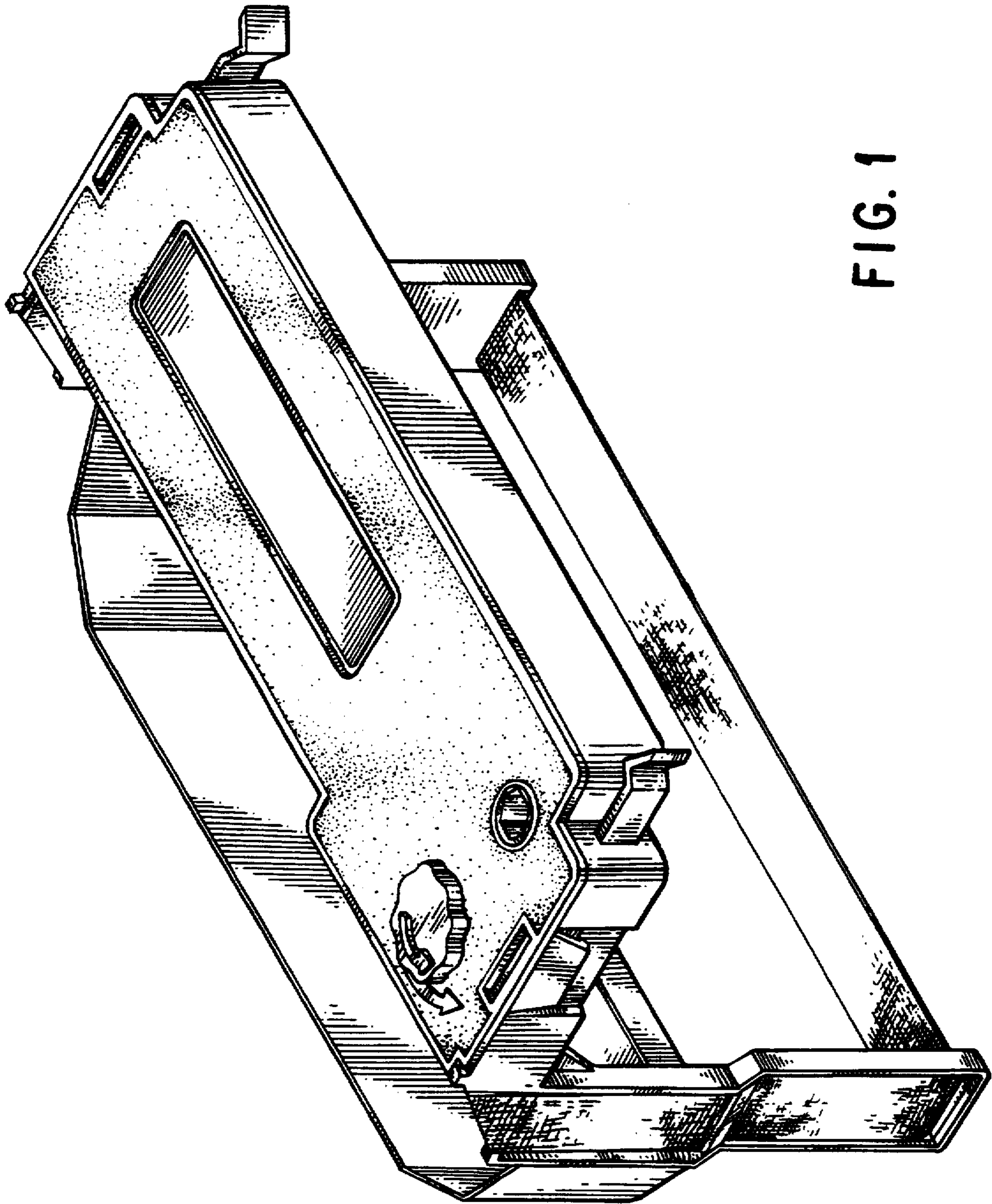


FIG. 1

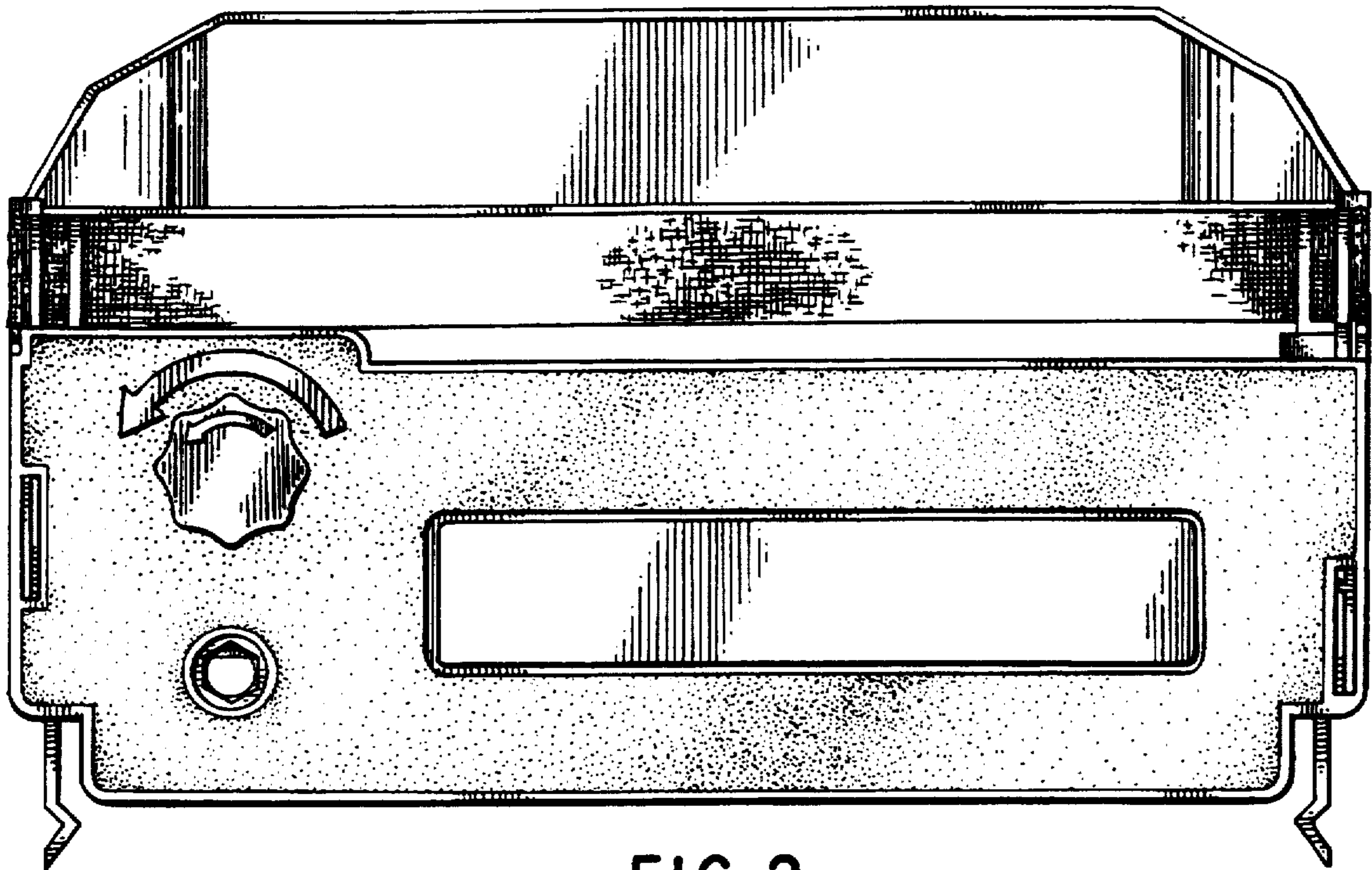


FIG. 2

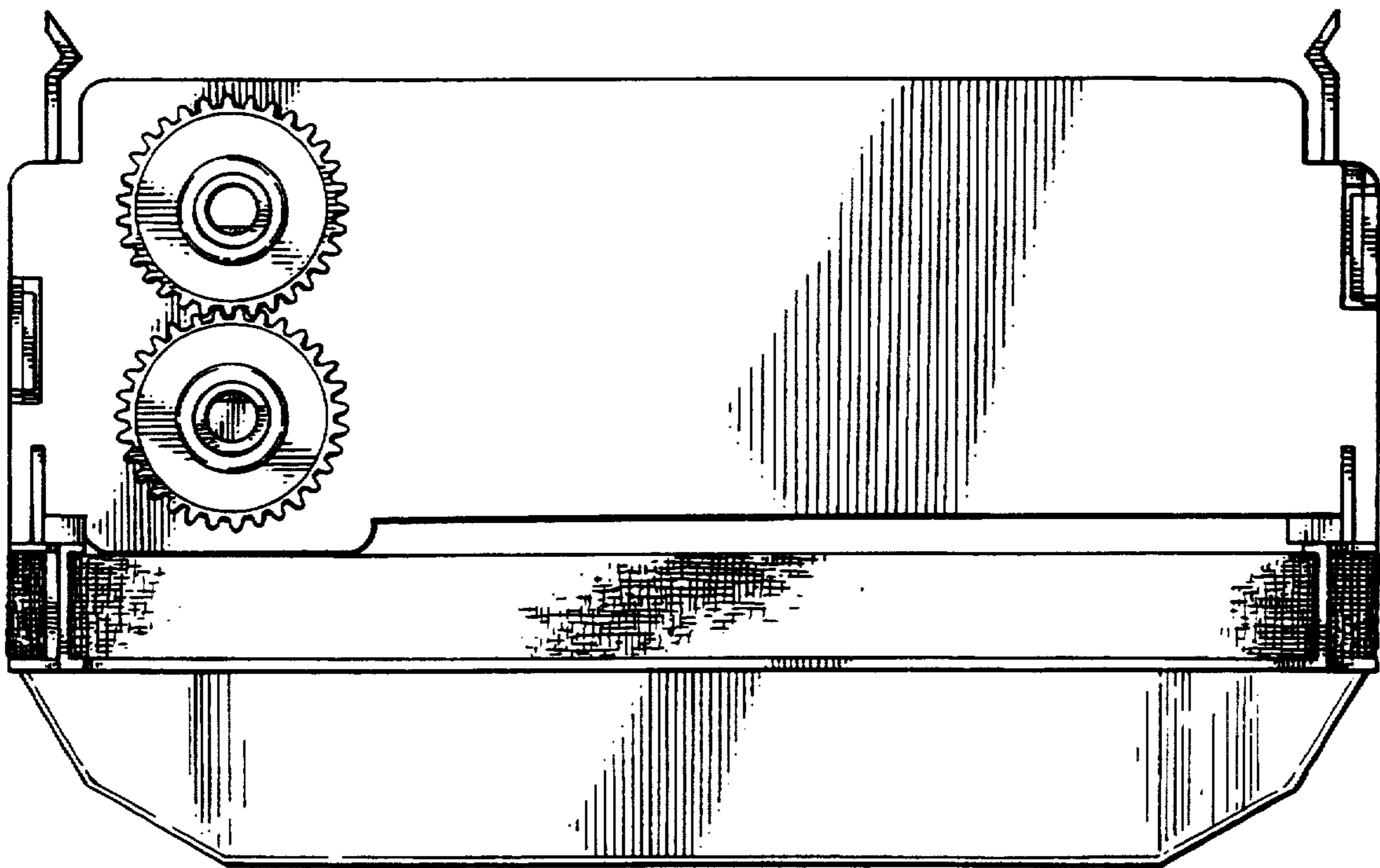


FIG. 3

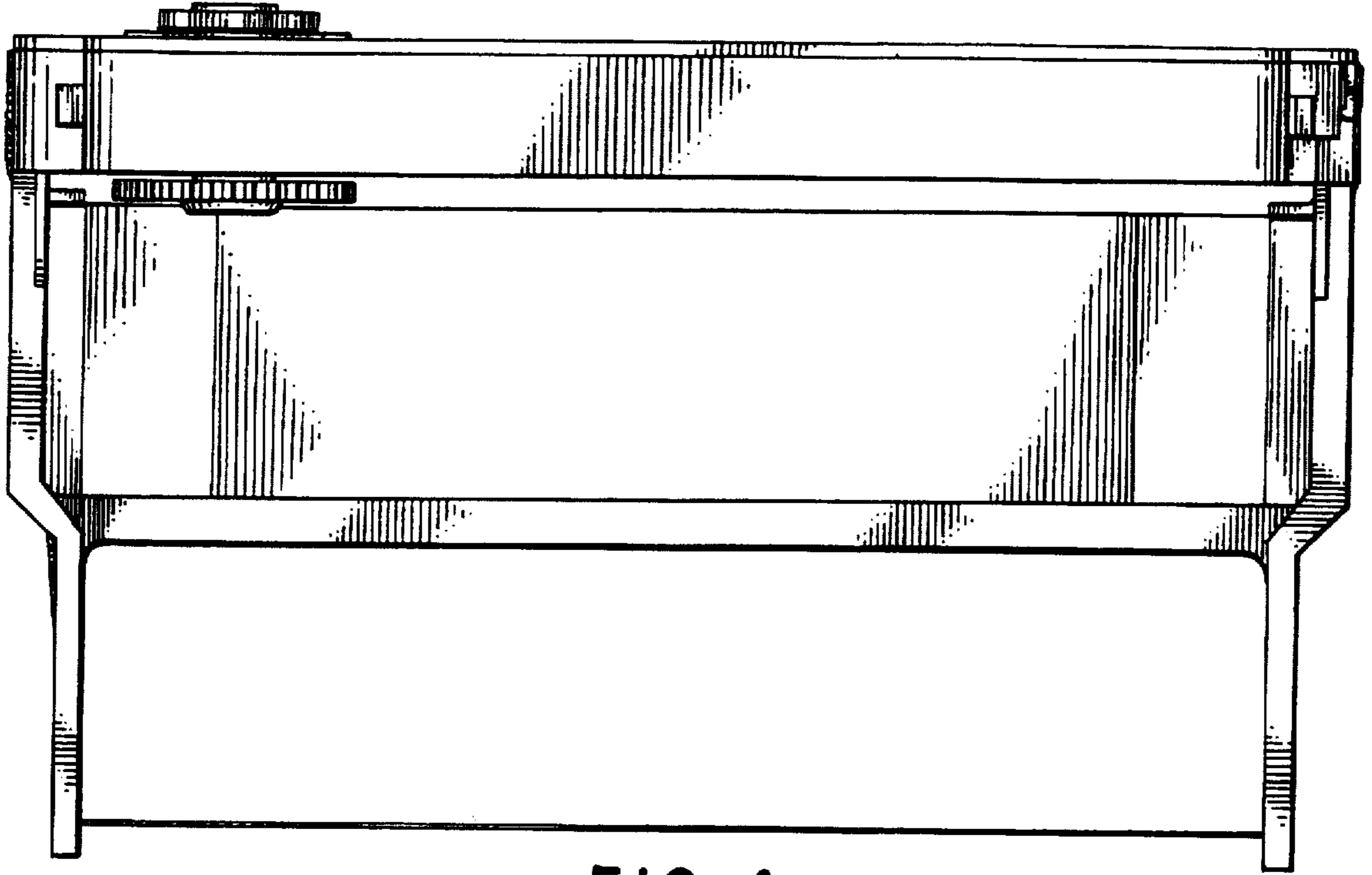


FIG. 4

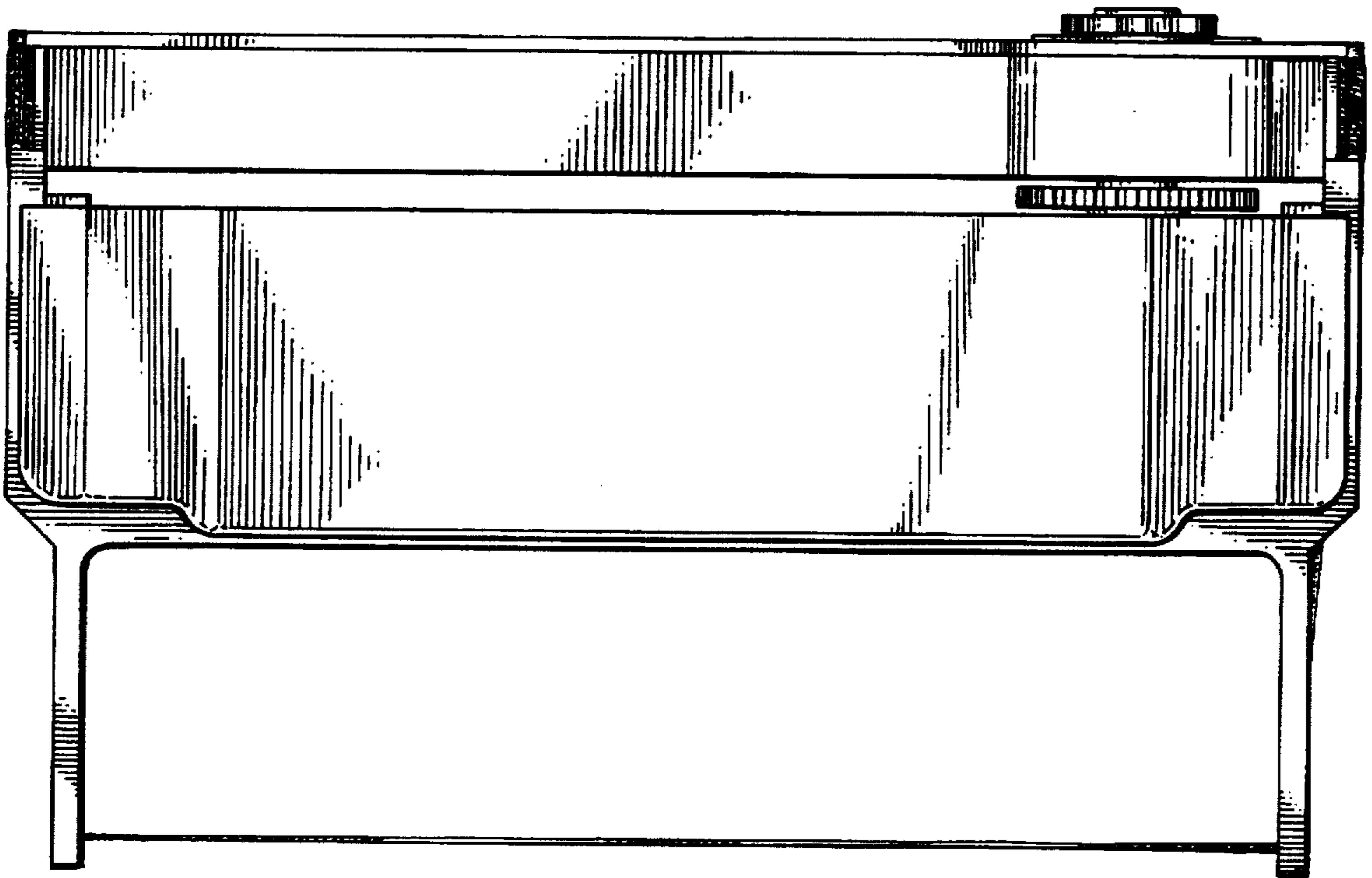


FIG. 5

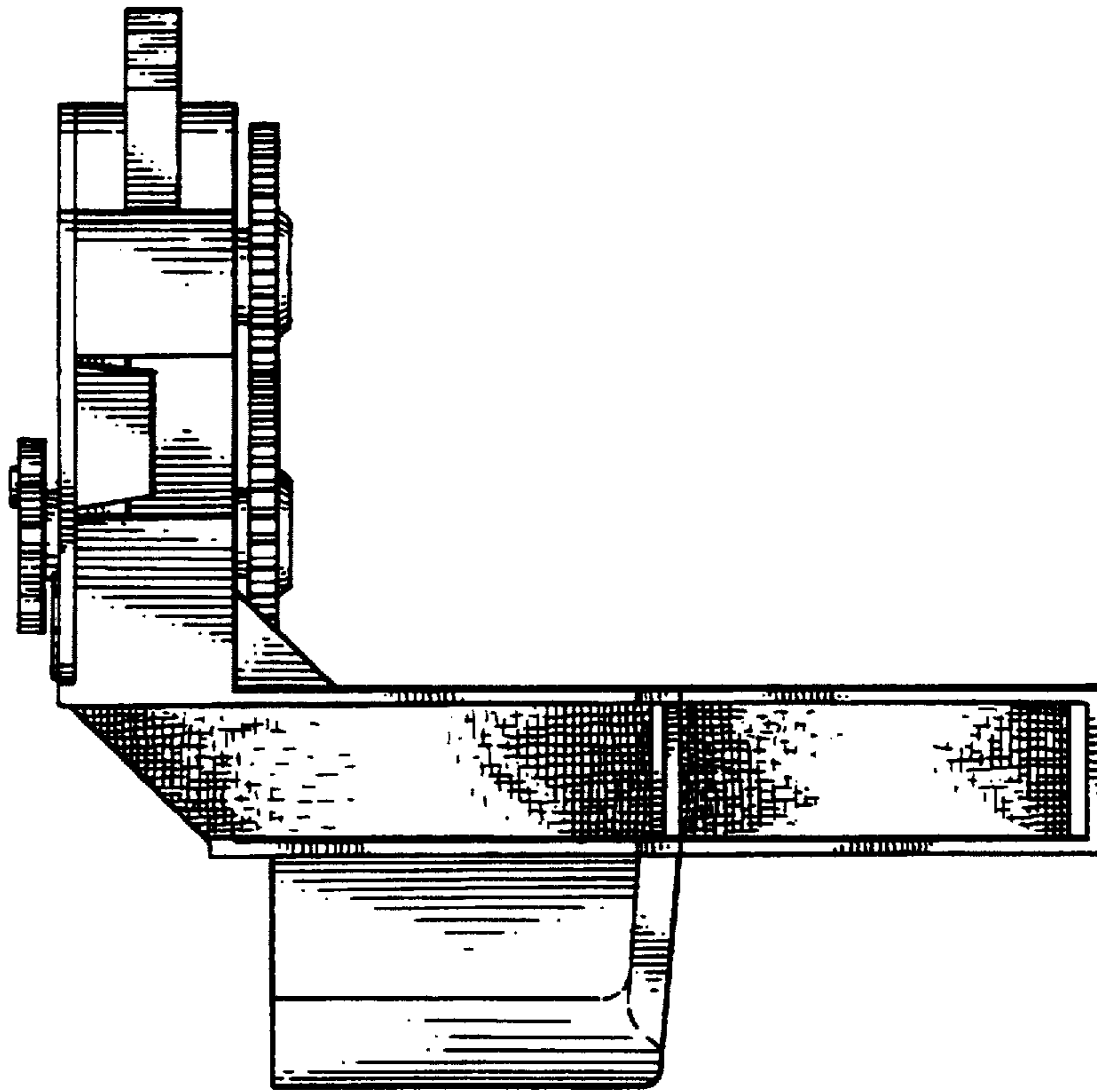


FIG. 7

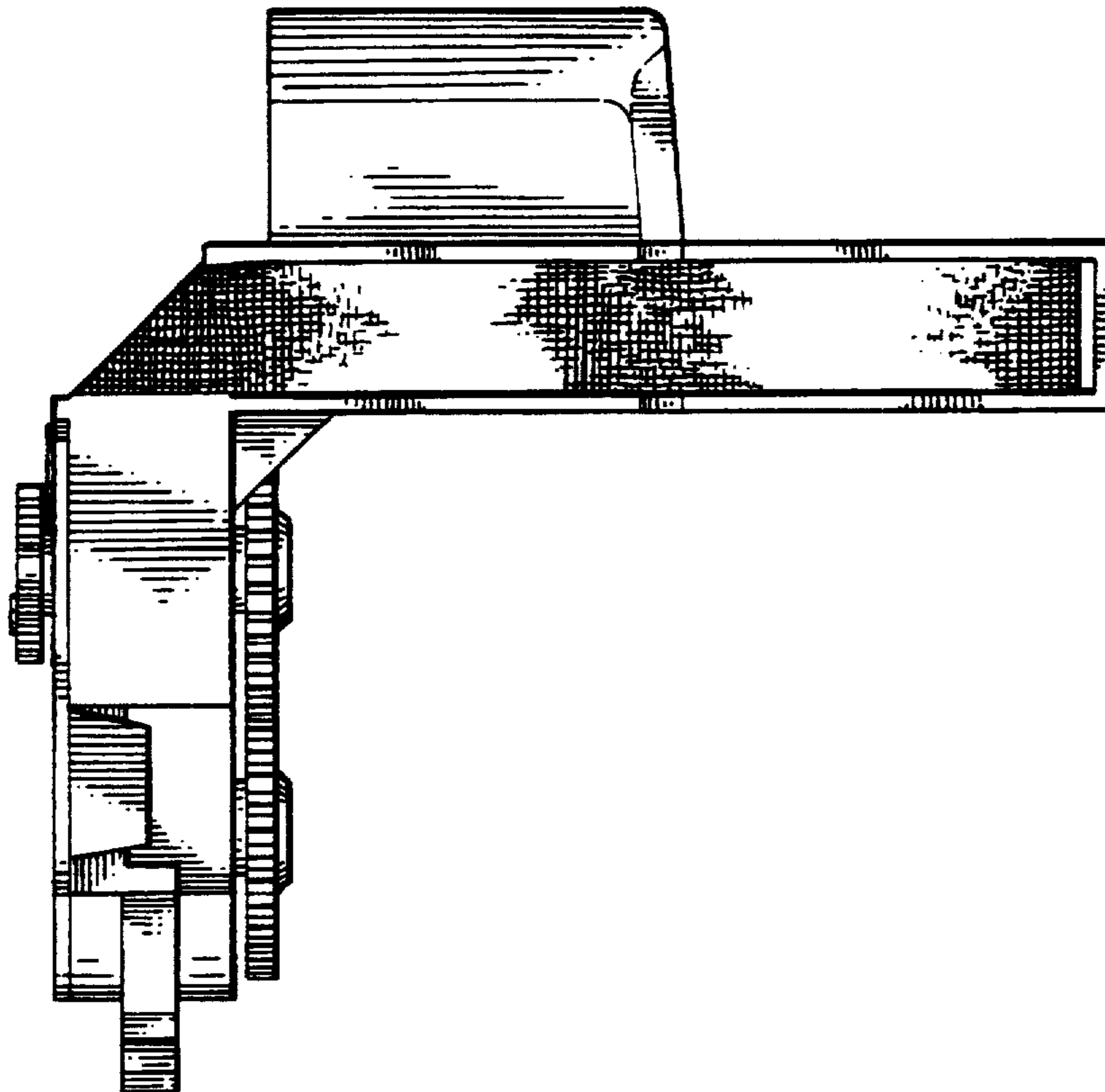


FIG. 6