



US00D351402S

# United States Patent [19]

[11] Patent Number: **Des. 351,402**

Tamura et al.

[45] Date of Patent: **\*\* Oct. 11, 1994**

[54] CASH REGISTER

[75] Inventors: **Kenji Tamura, Fussa; Isamu Yoshitake, Musashino; Kouichi Sato, Hachioji, all of Japan**

[73] Assignee: **Casio Computer Co., Ltd., Tokyo, Japan**

[\*\*] Term: **14 Years**

[21] Appl. No.: **1,862**

[22] Filed: **Nov. 24, 1992**

[52] U.S. Cl. .... **D18/4**

[58] Field of Search ..... **235/1 D, 1 E, 2, 4, 235/7 R, 10, 375, 379, 390, 419; 364/404, 405; D18/1, 2, 3, 4; D14/100, 105, 106, 113**

[56] **References Cited**

**U.S. PATENT DOCUMENTS**

- D. 278,542 4/1985 Kakiuchi et al. .... D18/4
- D. 294,364 2/1988 Nishibori et al. .... D18/4

- D. 303,536 9/1989 Miyaji et al. .... D18/4
- D. 321,706 11/1991 Yamamoto ..... D18/4
- D. 333,147 2/1993 Miyaki et al. .... D18/4
- 4,803,346 2/1989 Lyons et al. .... 235/1 R X

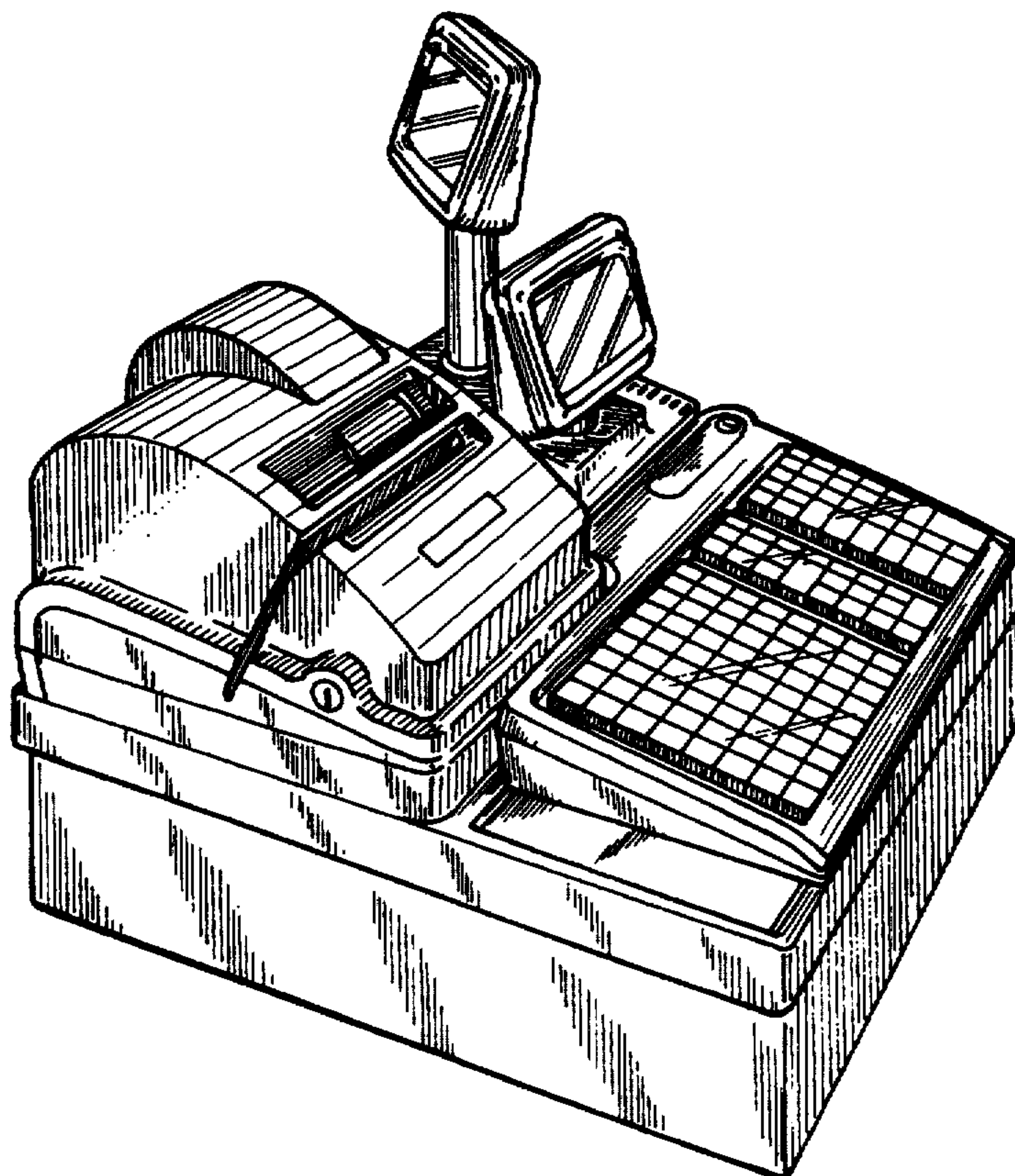
*Primary Examiner*—Alan P. Douglas  
*Assistant Examiner*—Caron D. Veynar  
*Attorney, Agent, or Firm*—Frishauf, Holtz, Goodman & Woodward

[57] **CLAIM**

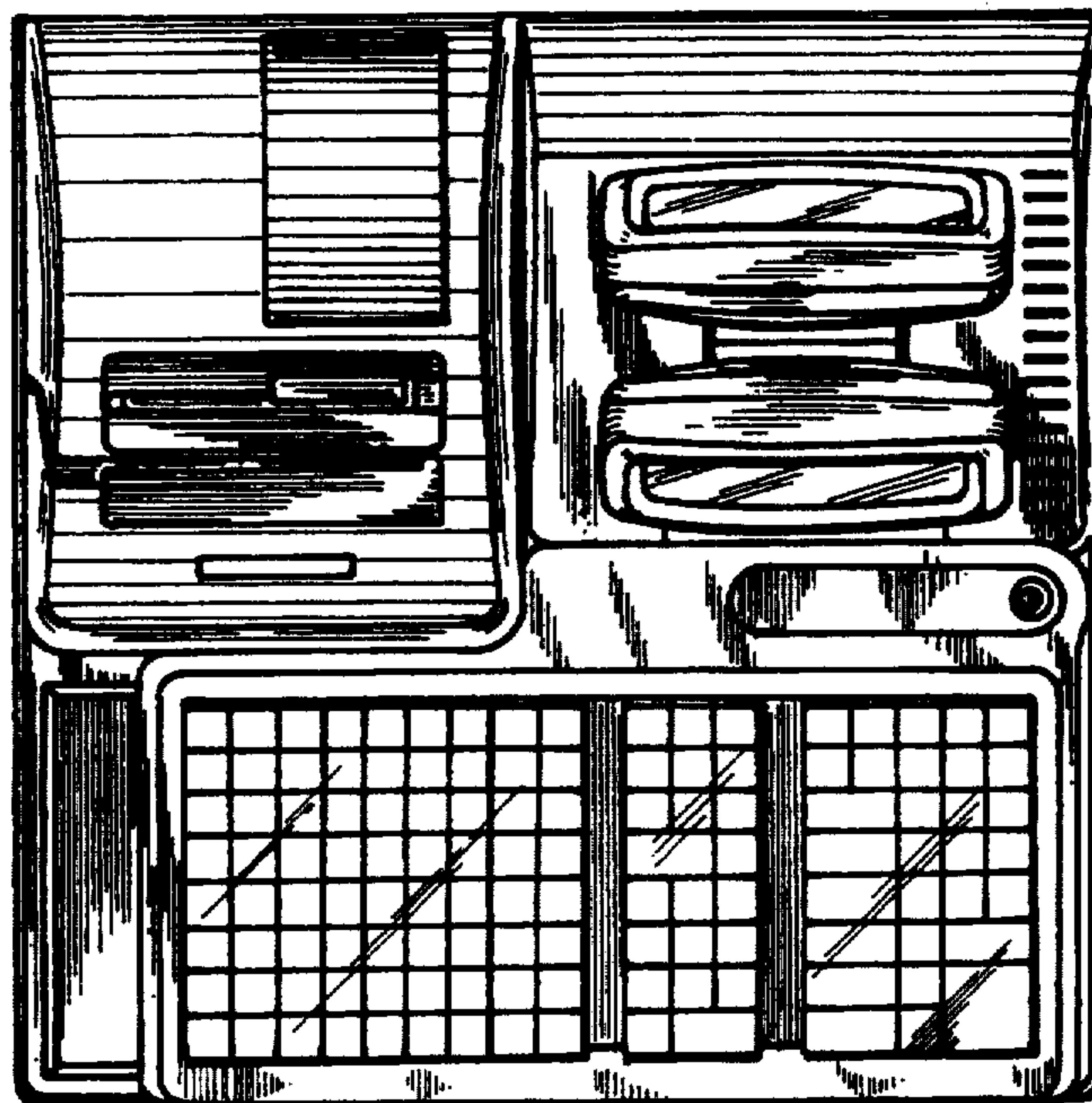
The ornamental design for a cash register, as shown and described.

**DESCRIPTION**

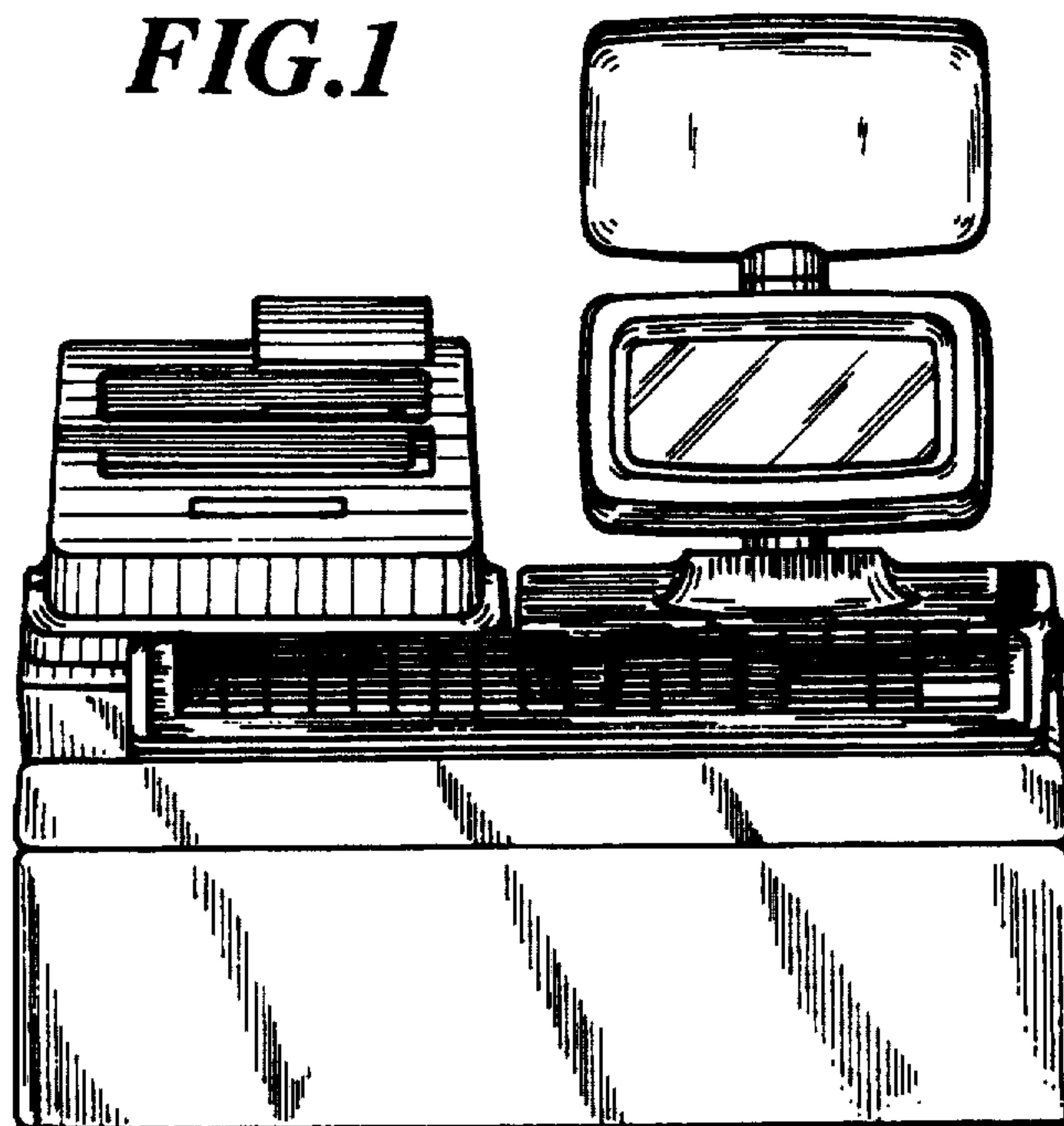
FIG. 1 is a front elevation view of a cash register showing our new design;  
FIG. 2 is a right side elevation view thereof;  
FIG. 3 is a left side elevation view thereof;  
FIG. 4 is a top plan view thereof;  
FIG. 5 is a bottom plan view thereof;  
FIG. 6 is a rear elevation view thereof; and,  
FIG. 7 is a perspective view thereof.



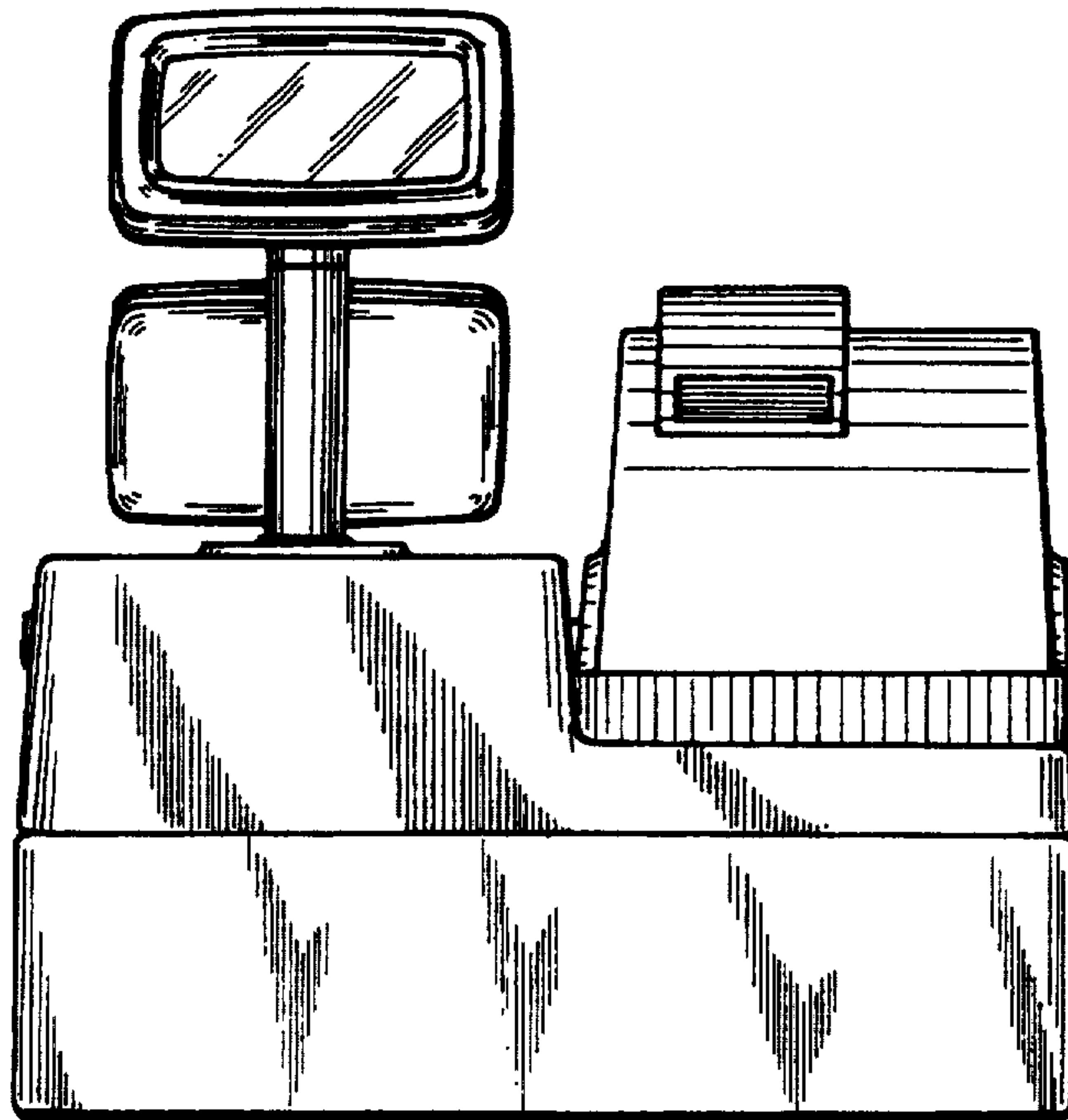
**FIG.4**



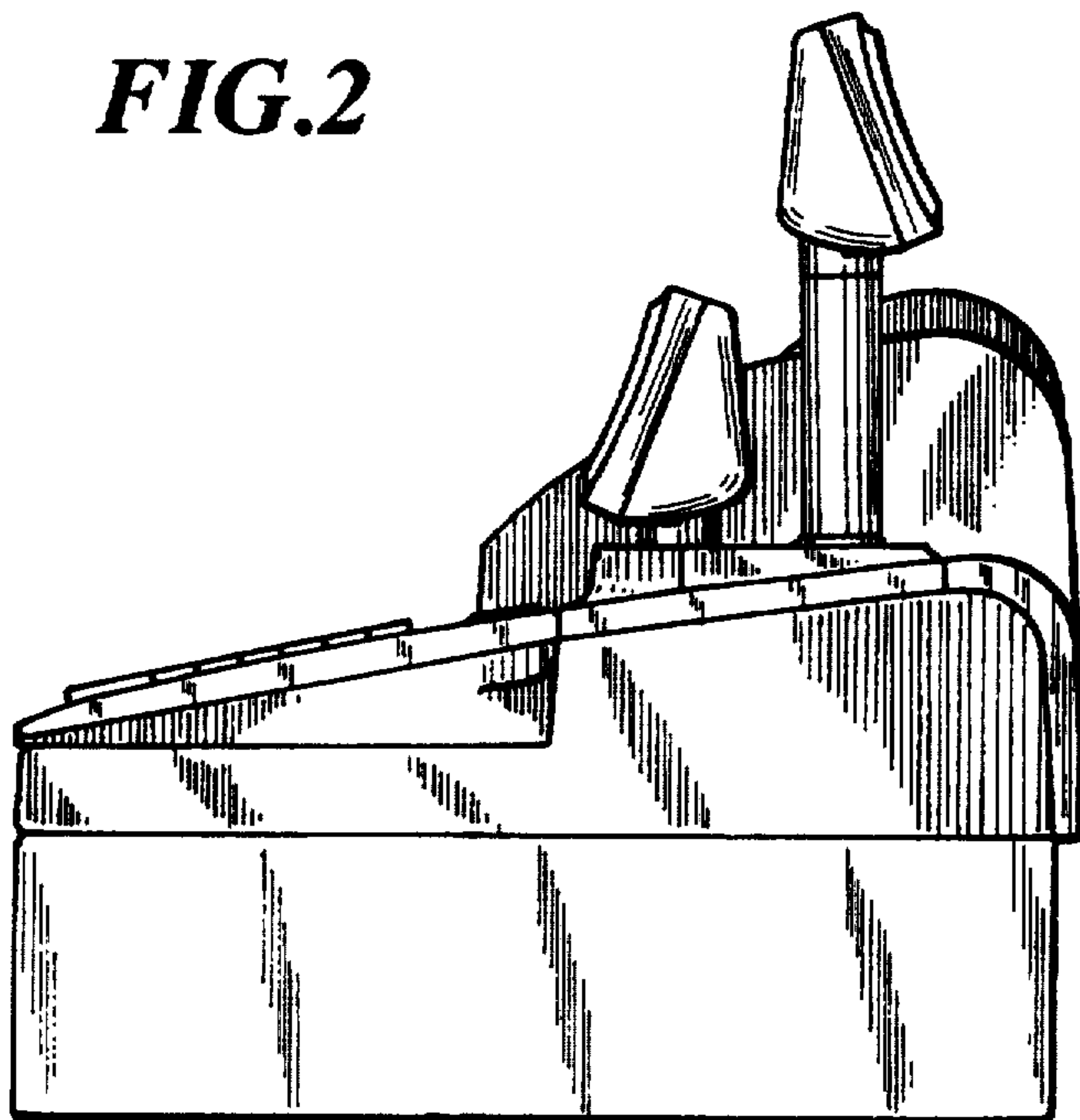
**FIG.1**



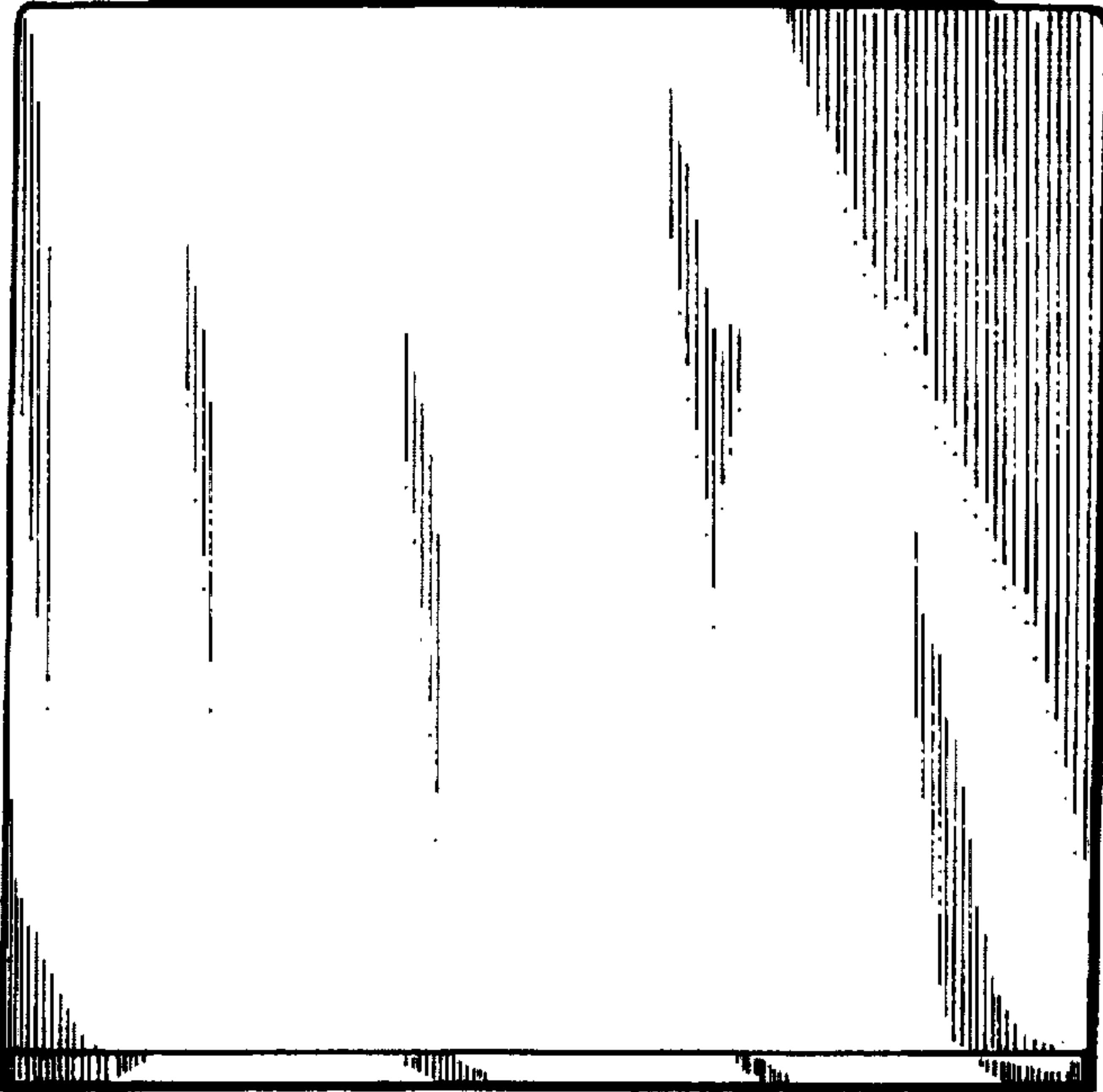
**FIG.6**



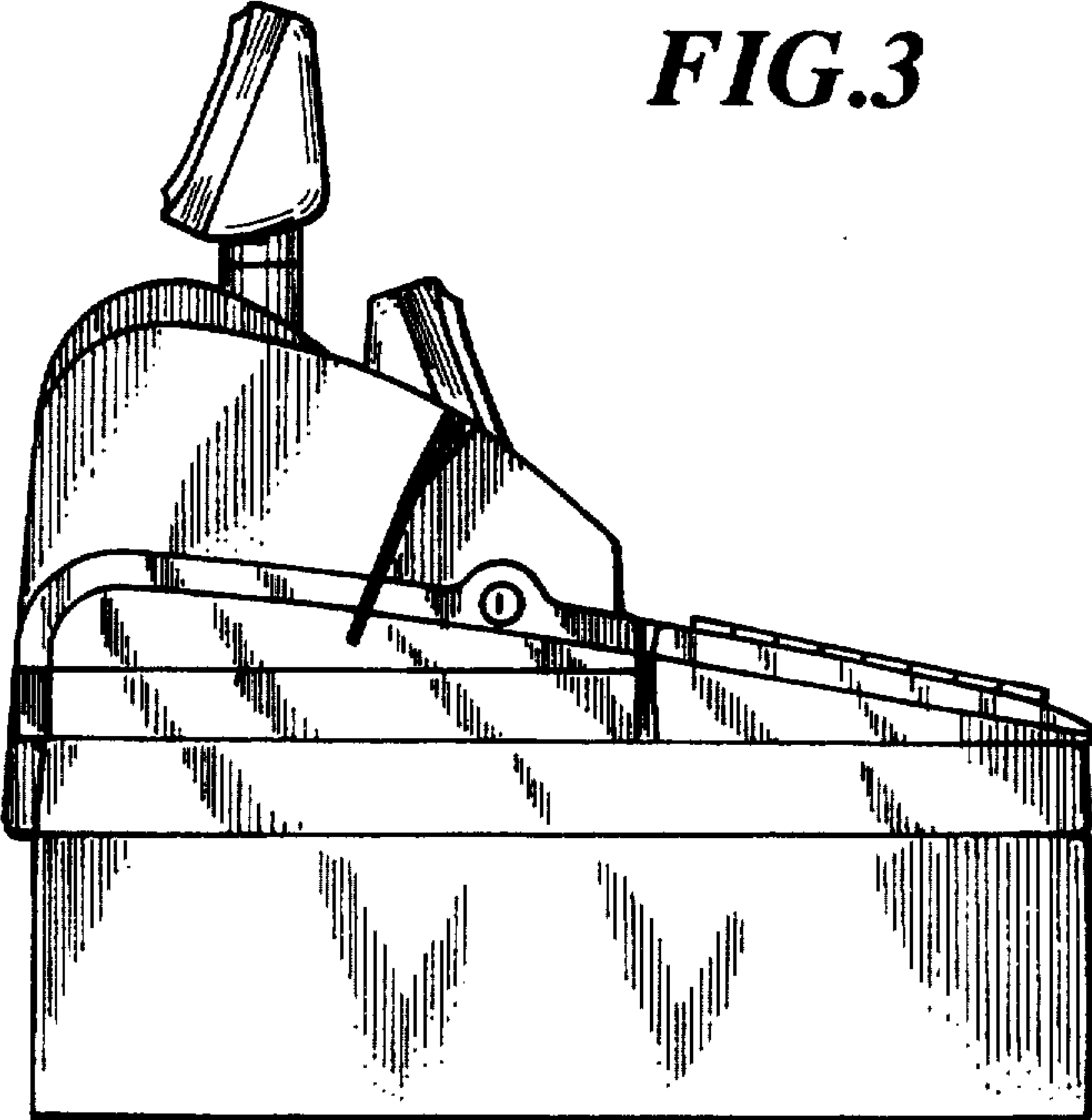
**FIG.2**



**FIG.5**



**FIG.3**





**FIG. 7**

