



US00D351401S

United States Patent [19]
Intemann

[11] **Patent Number: Des. 351,401**

[45] **Date of Patent: ** Oct. 11, 1994**

[54] **TONER HOPPER FOR LASER PRINTERS**

[76] **Inventor: Eric F. Intemann, 700 Lake Dr., #140, Orange, Calif. 92666**

[**] **Term: 14 Years**

[21] **Appl. No.: 776**

[22] **Filed: Oct. 26, 1992**

[52] **U.S. Cl. D18/43; D18/56**

[58] **Field of Search 118/657, 653; 141/1; 206/316, 446, 461, 467, 474, 495, 527, 532, 601, 628, 631, 633, 216; 222/DIG. 1, 166, 240, 325, 541; 355/200, 245, 260; D18/22, 43**

[56] **References Cited**

U.S. PATENT DOCUMENTS

4,870,463 9/1989 Miyoshi et al. 118/653
5,267,003 11/1993 Grappiold 355/200 X

Primary Examiner—Alan P. Douglas
Assistant Examiner—Caron D. Veynar

Attorney, Agent, or Firm—G. Donald Weber, Jr.

[57] **CLAIM**

The ornamental design for a toner hopper for laser printers, as shown and described.

DESCRIPTION

FIG. 1 is an isometric view of the toner hopper for laser printers of the instant invention.

FIG. 2 is one side view of the toner hopper for laser printers of the instant invention.

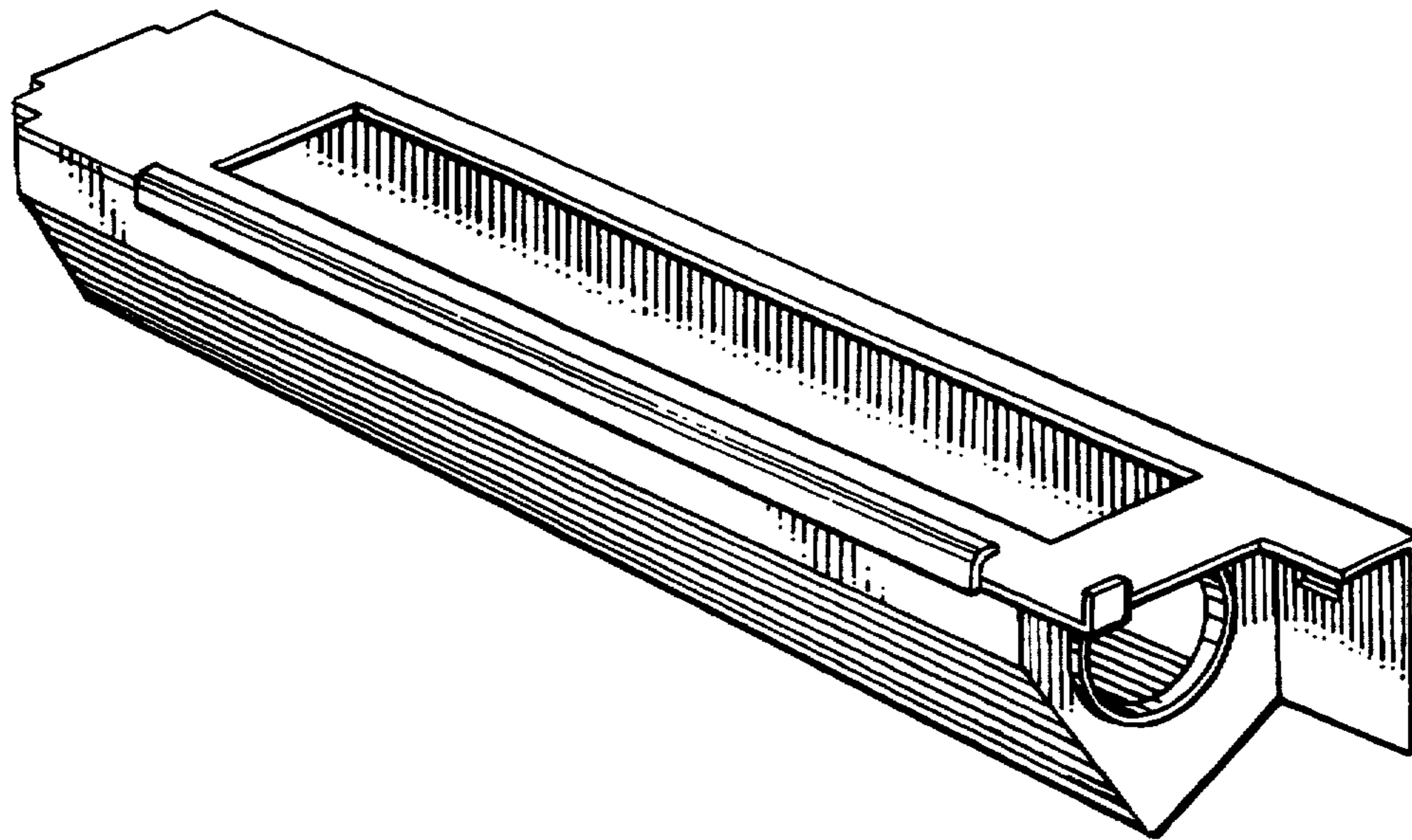
FIG. 3 is the opposite side view of the toner hopper for laser printers of the instant invention.

FIG. 4 is a top view of the toner hopper for laser printers of the instant invention.

FIG. 5 is a bottom view of the toner hopper for laser printers of the instant invention.

FIG. 6 is one end view of the toner hopper for laser printers of the instant invention.

FIG. 7 is the other end view of the toner hopper for laser printers of the instant invention.



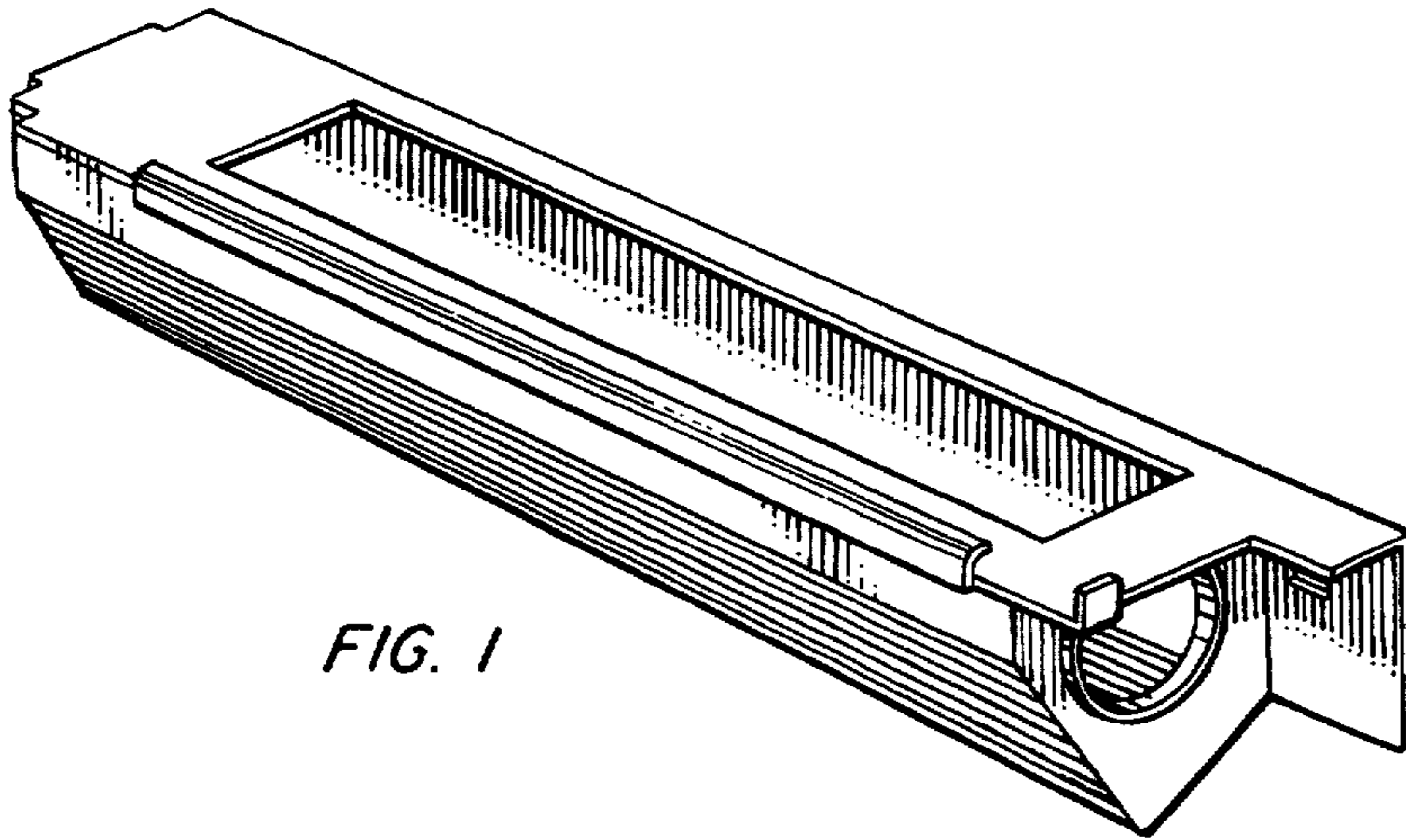


FIG. 1



FIG. 2

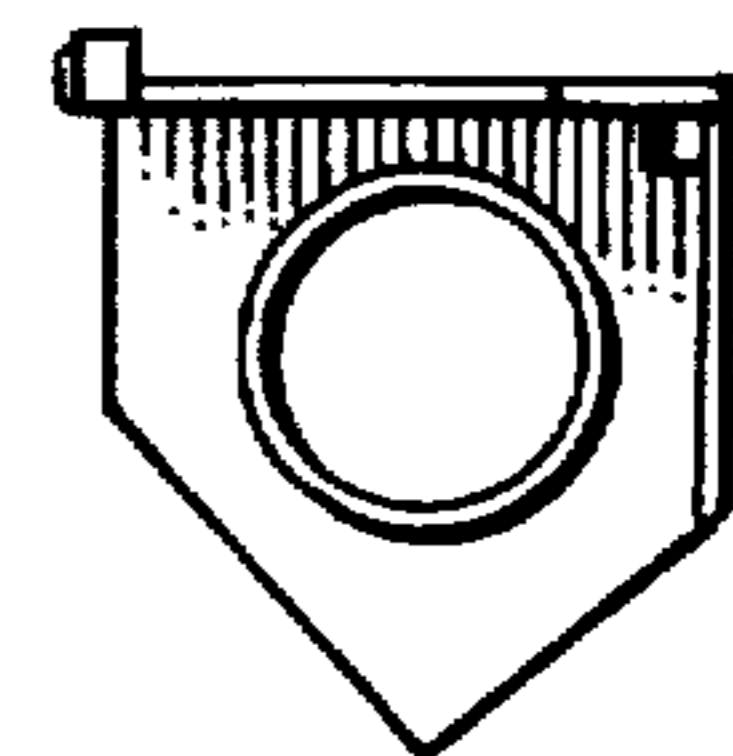


FIG. 6

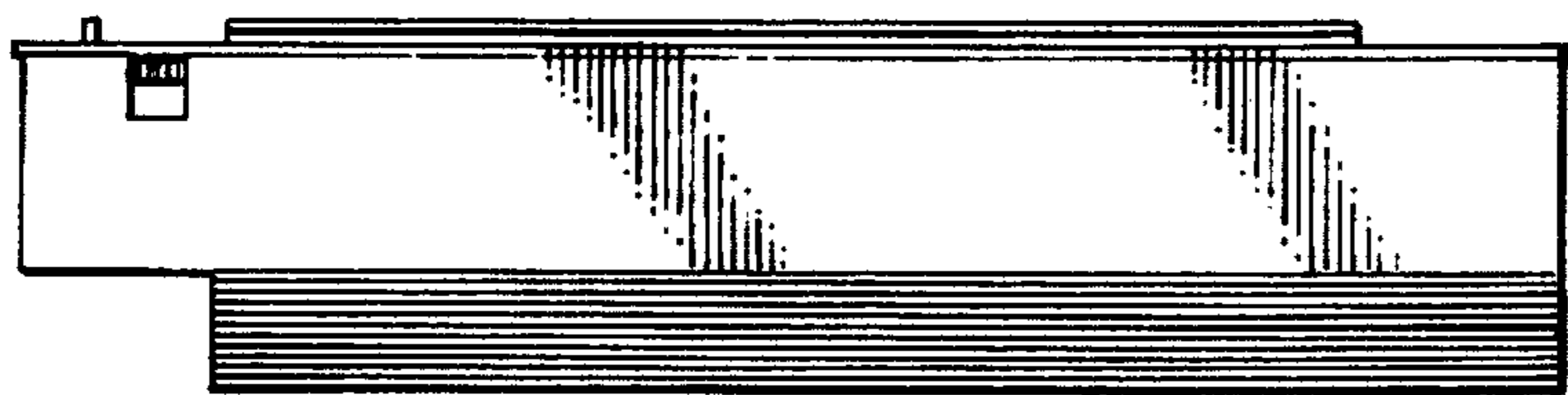


FIG. 3

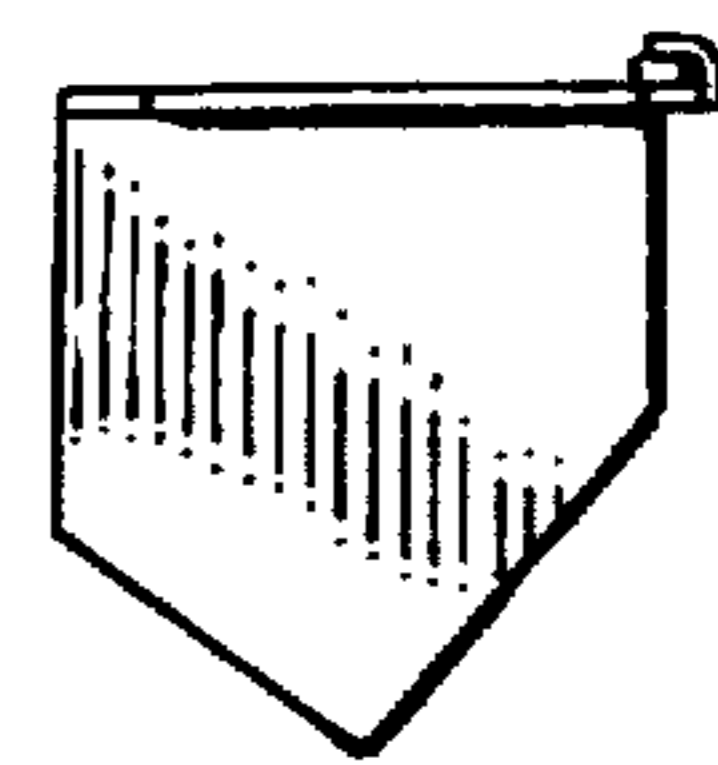


FIG. 7

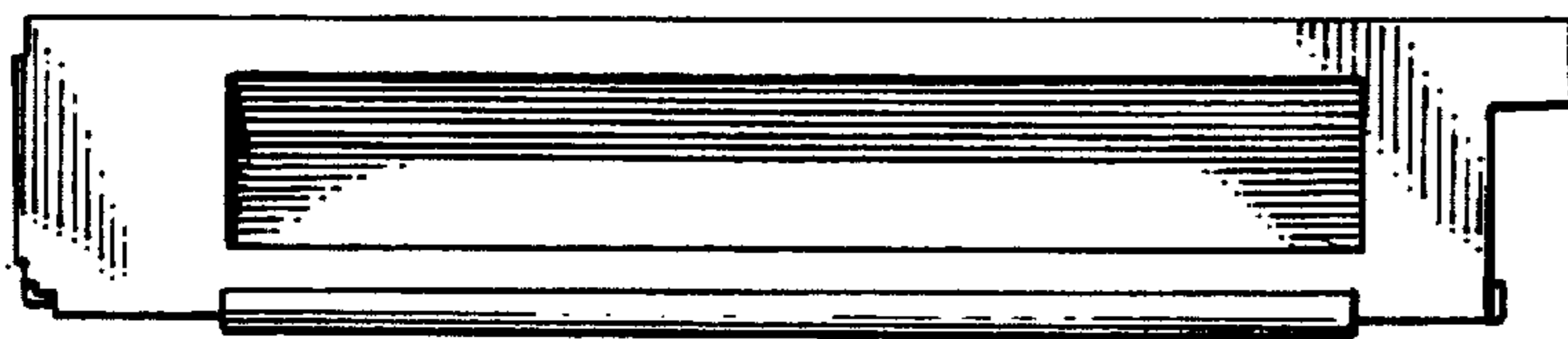


FIG. 4

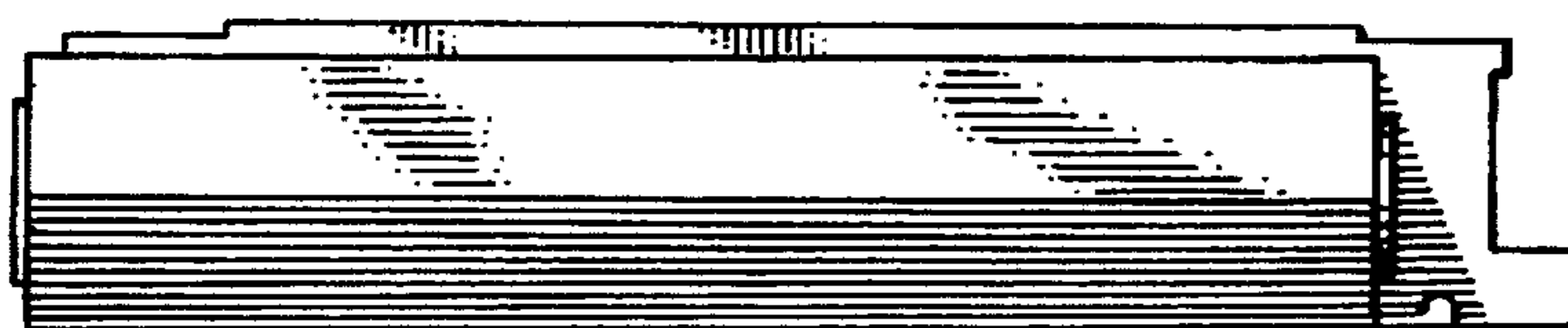


FIG. 5