



US00D351399S

United States Patent [19]

[11] Patent Number: **Des. 351,399**

Swayze et al.

[45] Date of Patent: **** Oct. 11, 1994**

- [54] CAMERA WITH FOLDING FLASH
- [75] Inventors: **Samuel F. Swayze, Fairport; Gary K. Smithborne, Rochester, both of N.Y.**
- [73] Assignee: **Eastman Kodak Company, Rochester, N.Y.**
- [**] Term: **14 Years**
- [21] Appl. No.: **3,779**
- [22] Filed: **Jan. 14, 1993**
- [52] U.S. Cl. **D16/209; D16/213**
- [58] Field of Search **354/145.1, 149.11, 126, 354/187, 288; D16/200, 202, 203, 204, 208, 209, 213, 216-218**

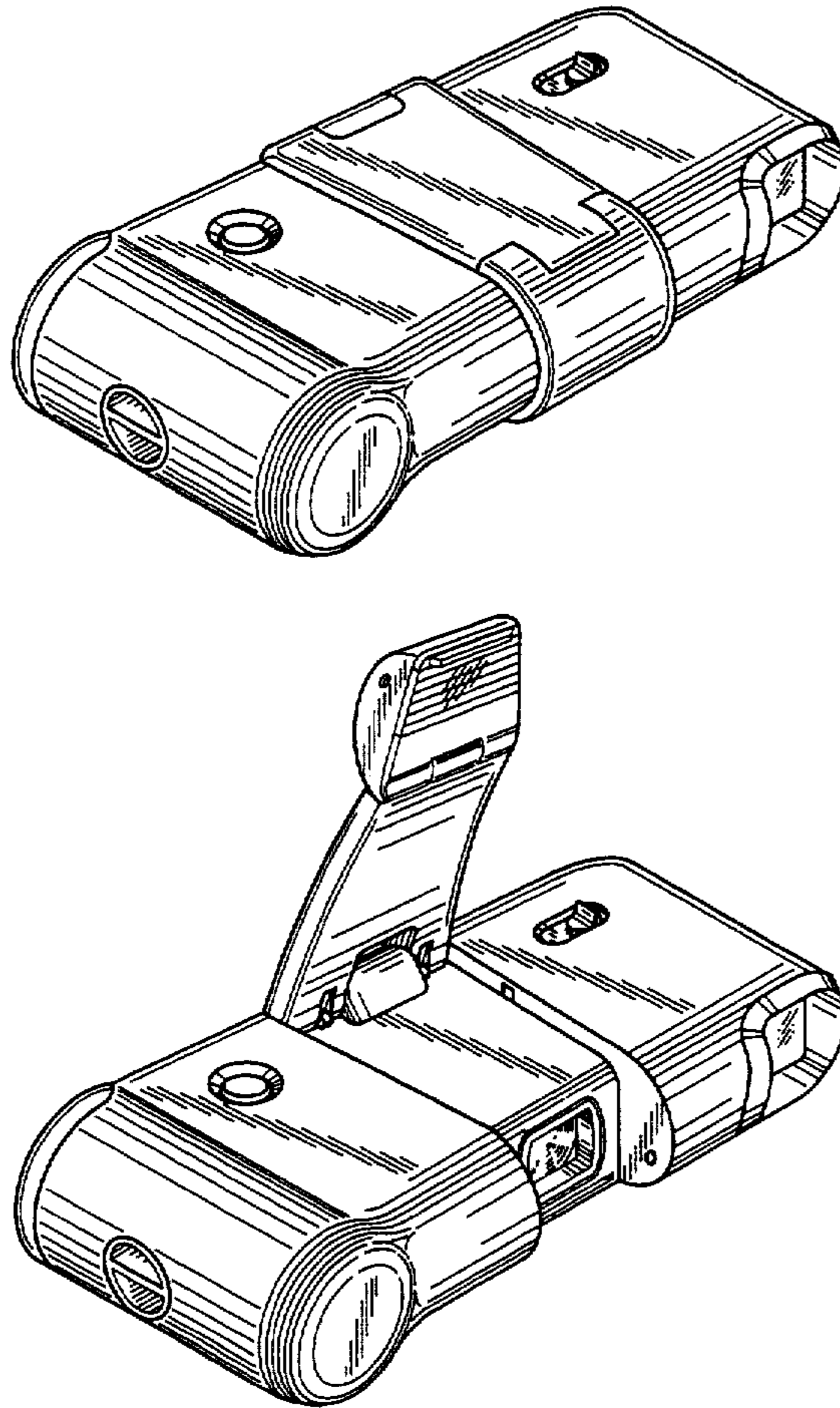
- [56] **References Cited**
- U.S. PATENT DOCUMENTS**
- D. 260,997 9/1981 Asaki et al. D16/209
- D. 285,208 8/1986 Nakayama D16/209
- D. 314,202 1/1991 Shinano D16/202
- 4,983,999 1/1991 Meiszahl et al. 354/149.11
- 5,084,721 1/1992 Burnham 354/187

Primary Examiner—Melvin B. Feifer
Assistant Examiner—Adir Aronovich
Attorney, Agent, or Firm—Roger A. Fields

[57] **CLAIM**
 The ornamental design for a camera with folding flash, as shown and described.

DESCRIPTION

FIG. 1 is a top, front, right-side perspective view of a camera showing our new design, with a folding flash in a folding position;
 FIG. 2 is a bottom, rear, left-side perspective view thereof;
 FIG. 3 is a top plan view thereof;
 FIG. 4 is a bottom plan view thereof;
 FIG. 5 is a front elevation view thereof;
 FIG. 6 is a bottom elevation view thereof;
 FIG. 7 is a right-side elevation view thereof;
 FIG. 8 is a left-side elevation view thereof;
 FIG. 9 is a top, front, right-side perspective view thereof, with the folding flash in an opened position;
 FIG. 10 is a bottom, rear, left-side perspective view thereof;
 FIG. 11 is a top plan view thereof;
 FIG. 12 is a bottom plan view thereof;
 FIG. 13 is a front elevation view thereof;
 FIG. 14 is a rear elevation view thereof;
 FIG. 15 is a right-side elevation view thereof; and,
 FIG. 16 is a left-side elevation view thereof.



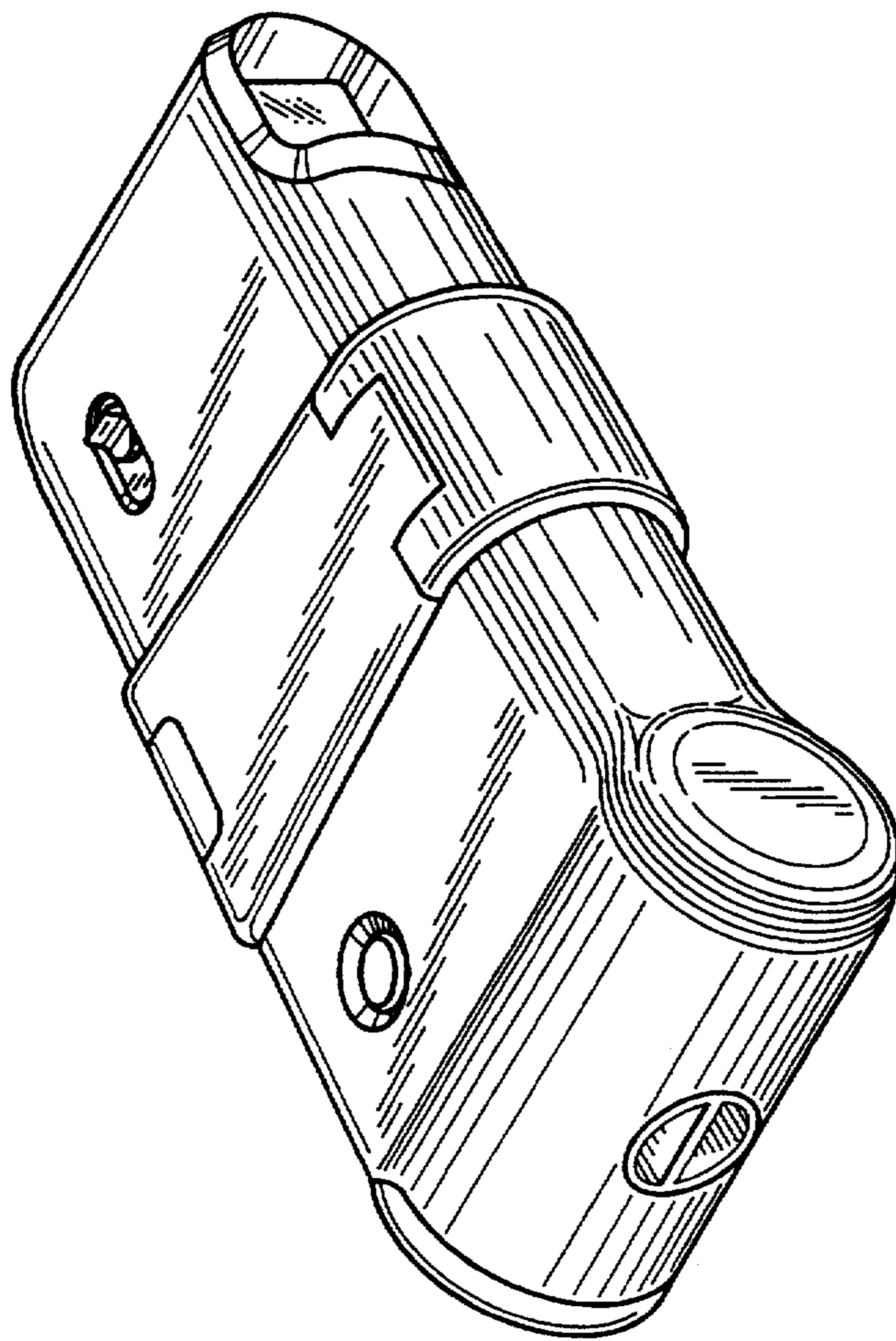


FIG. 1

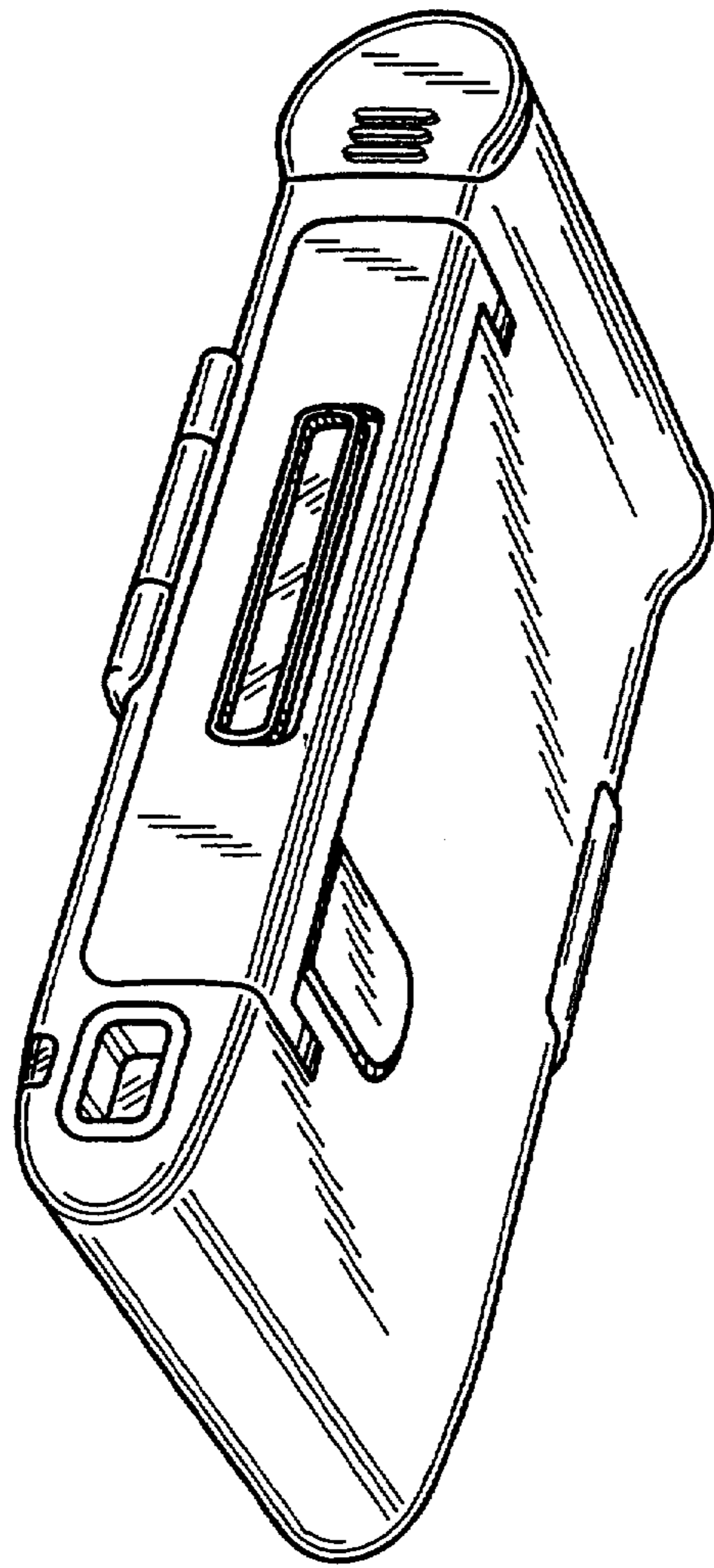


FIG. 2

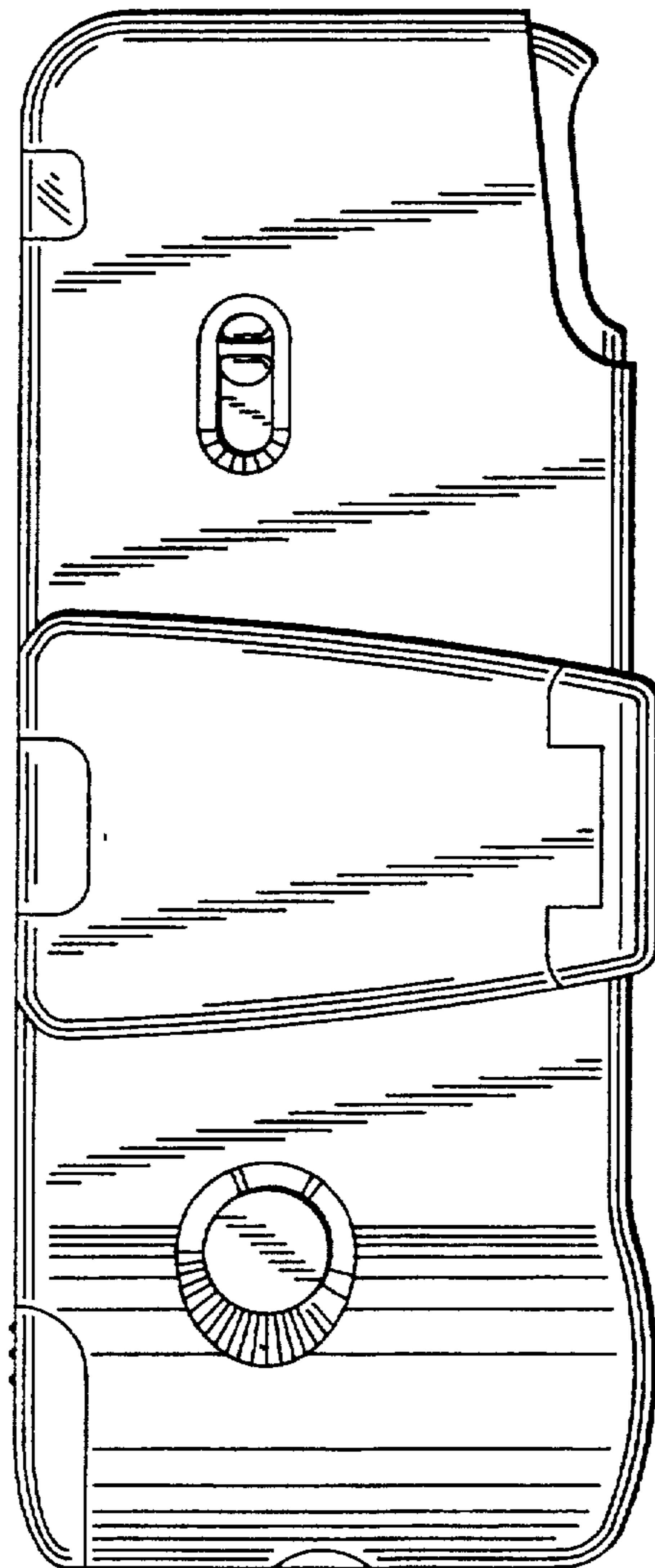


FIG. 3

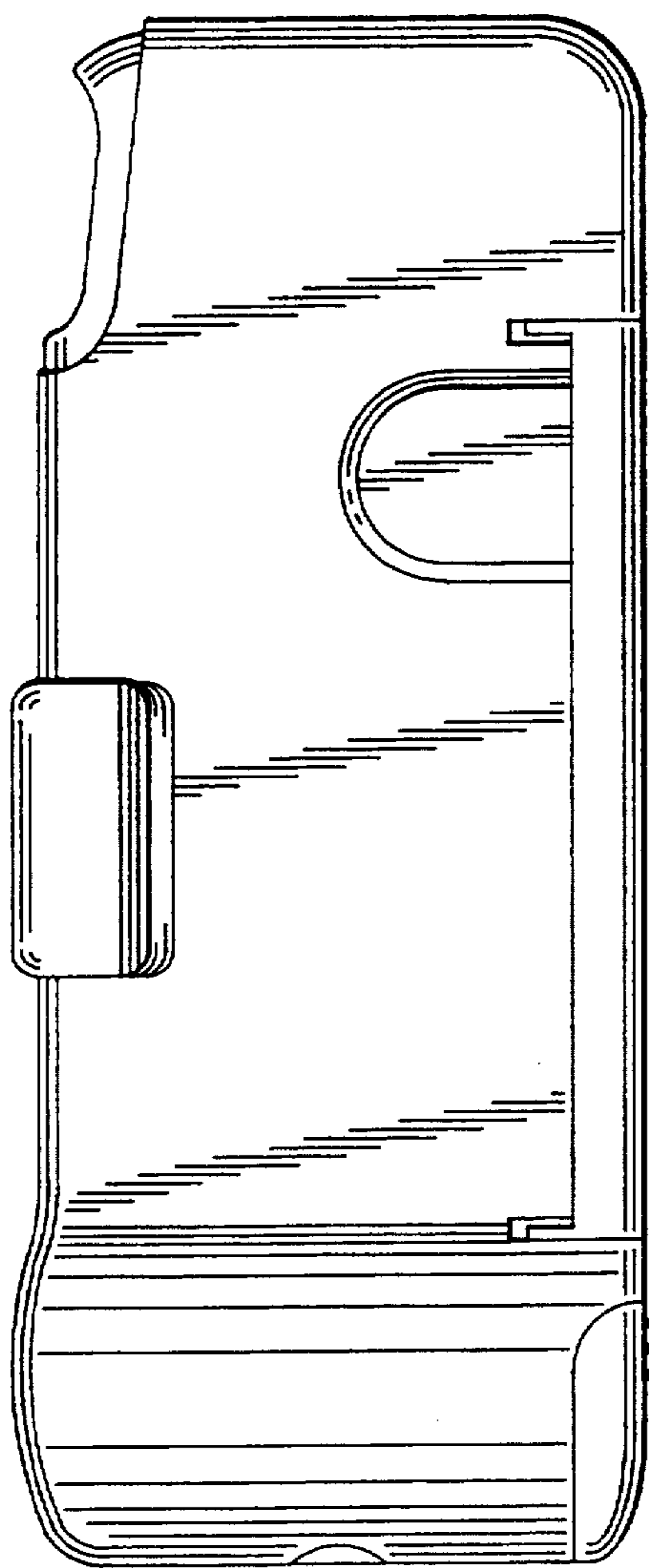


FIG. 4

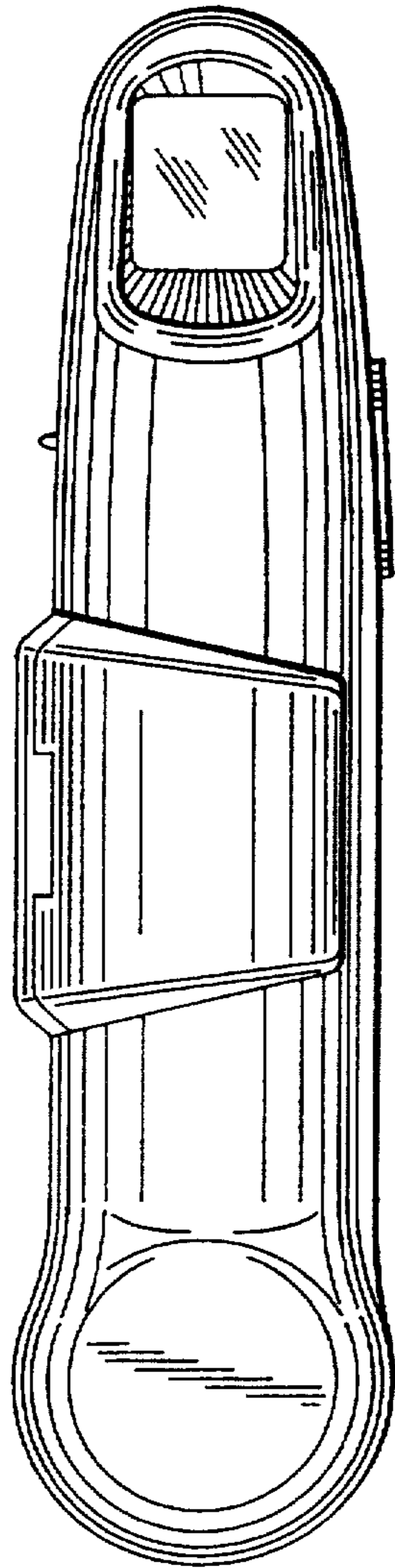


FIG. 5

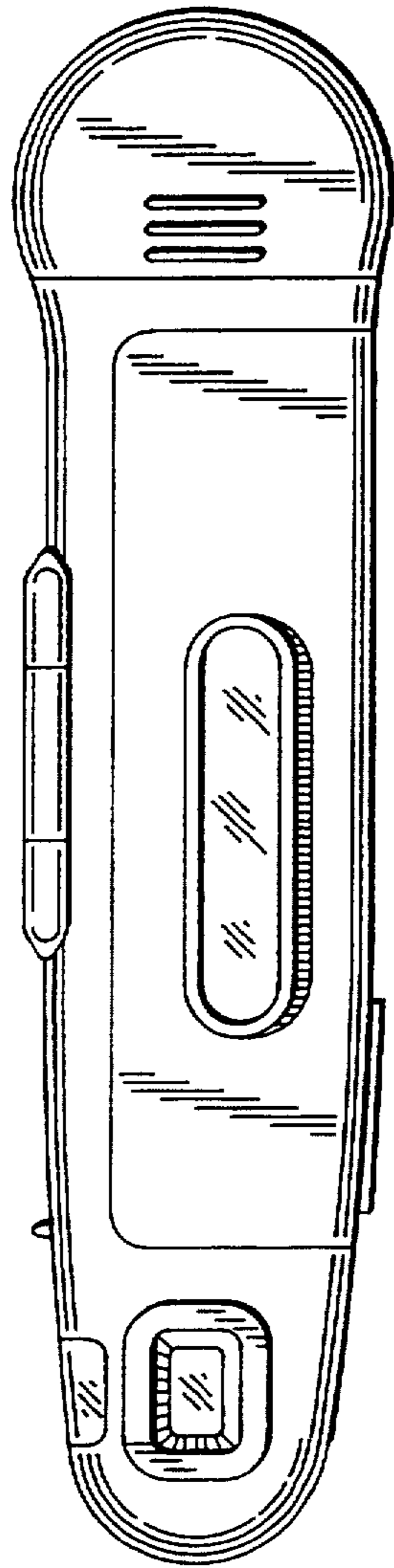


FIG. 6

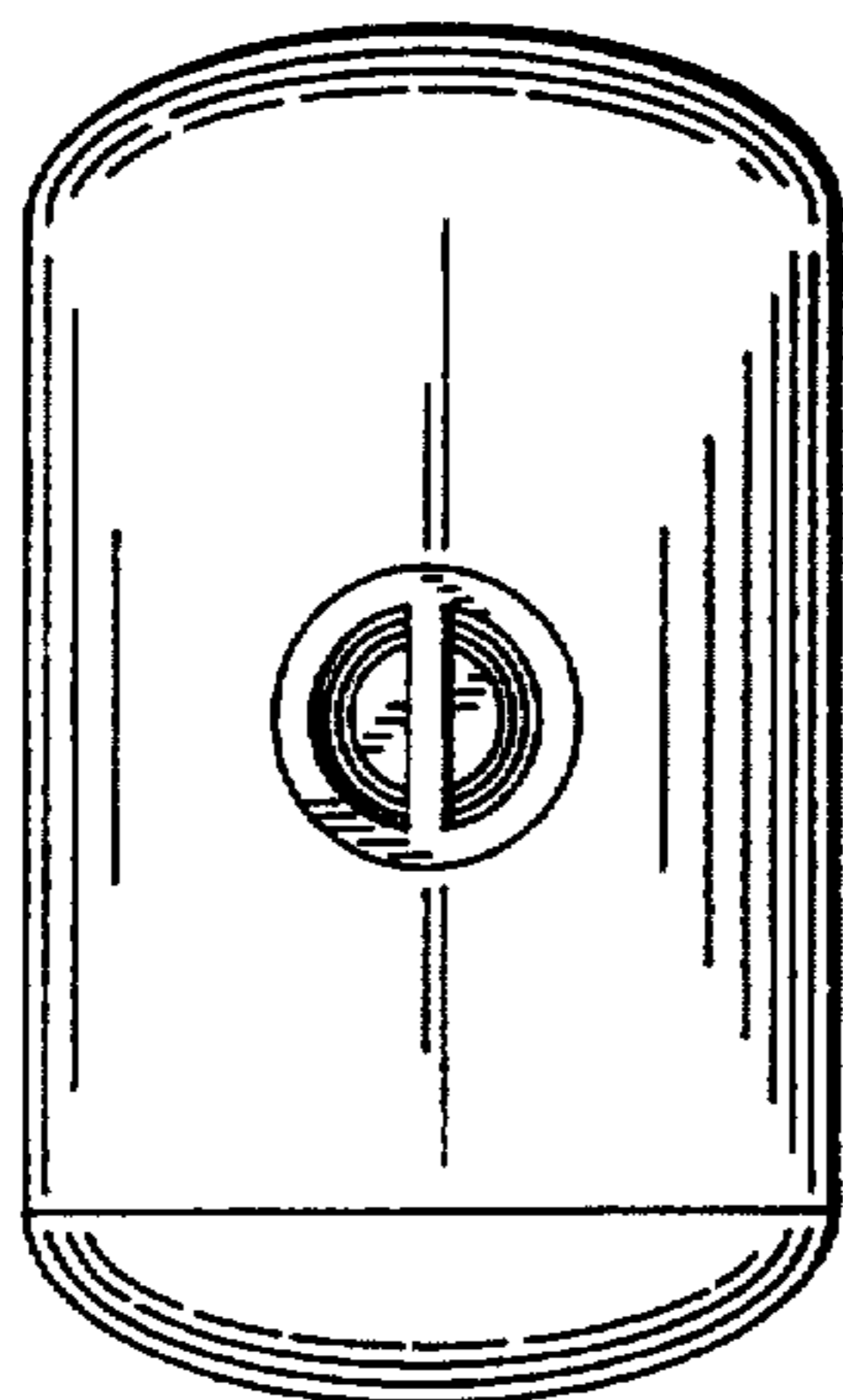


FIG. 7

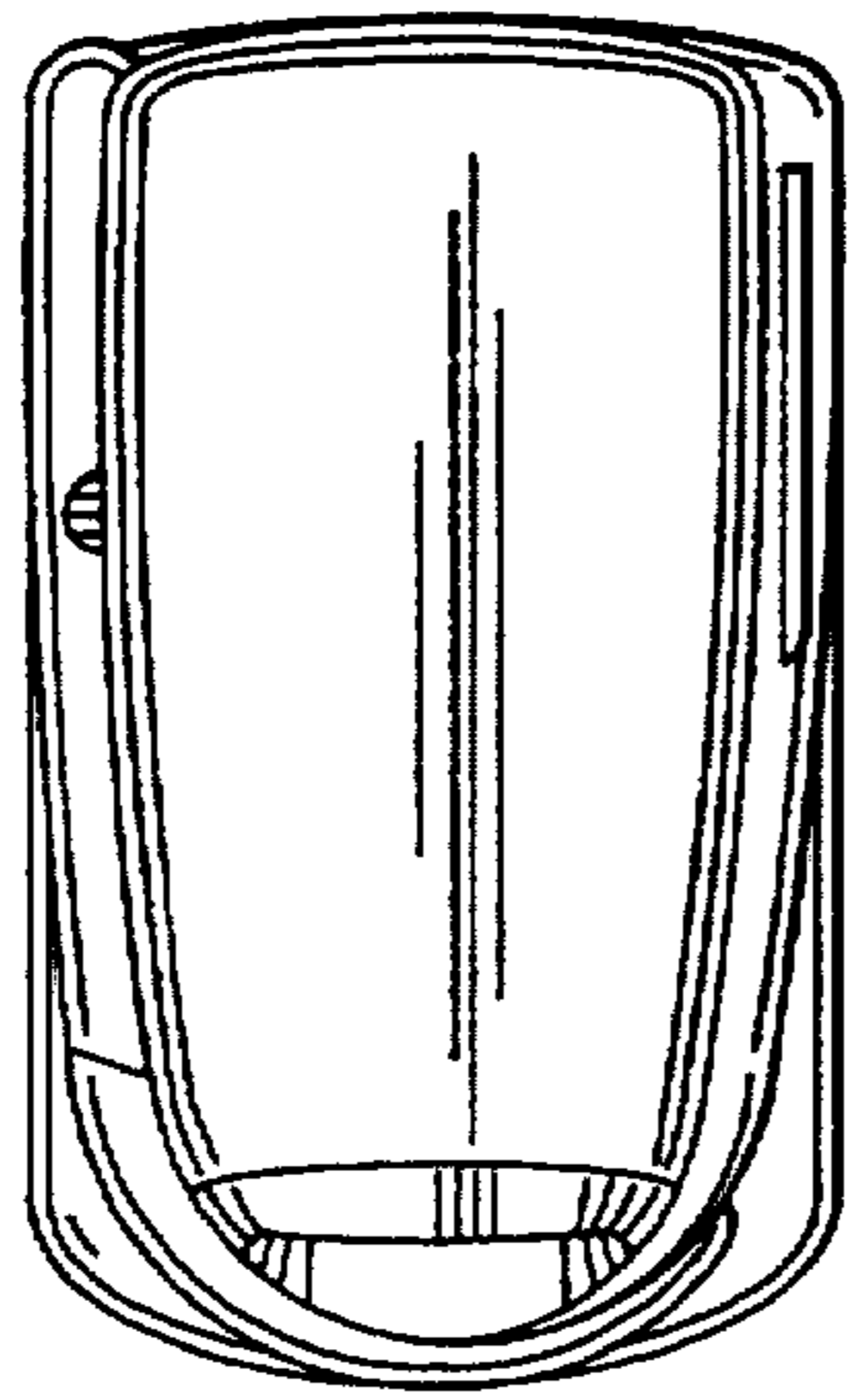


FIG. 8

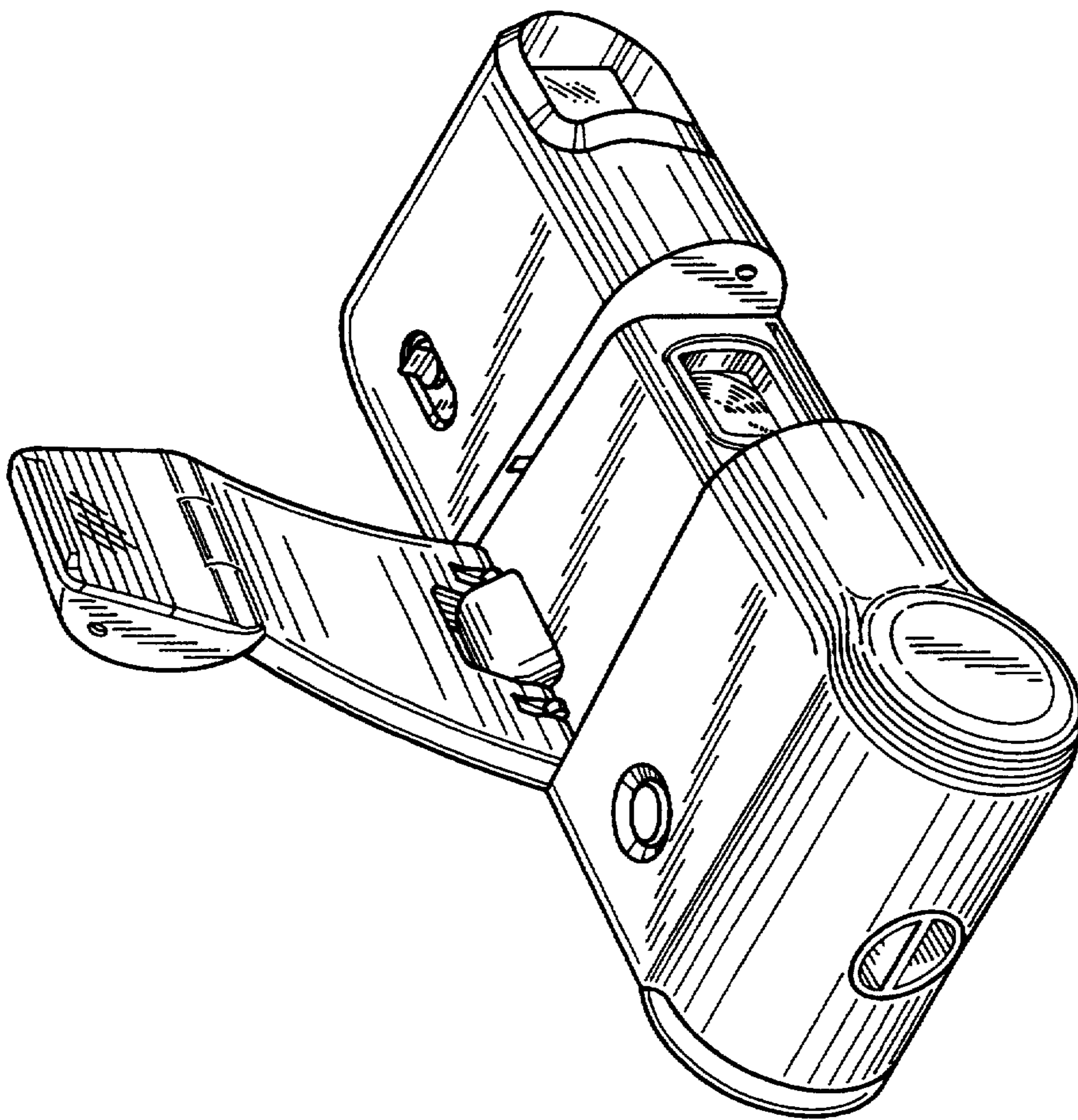


FIG. 9

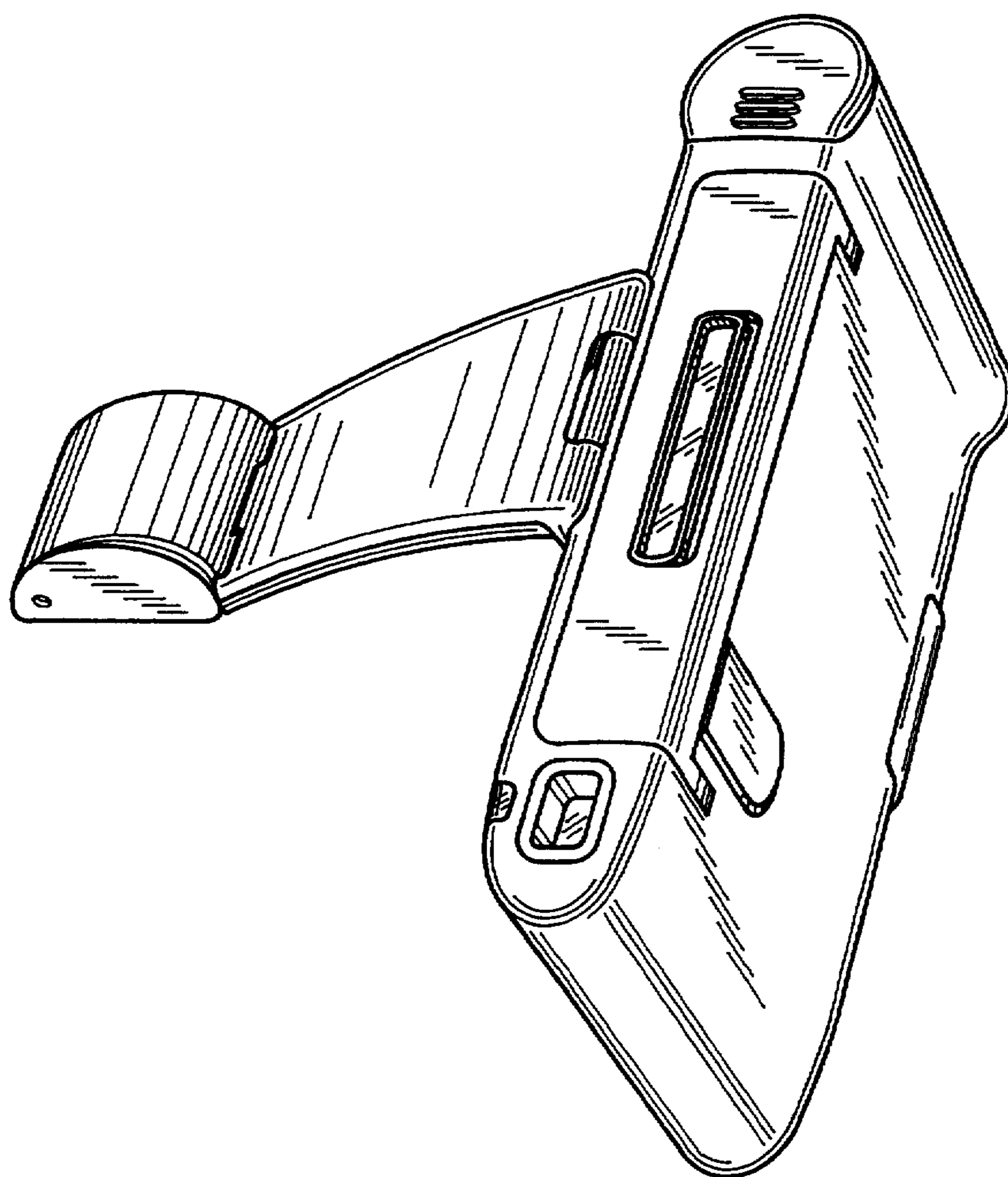


FIG. 10

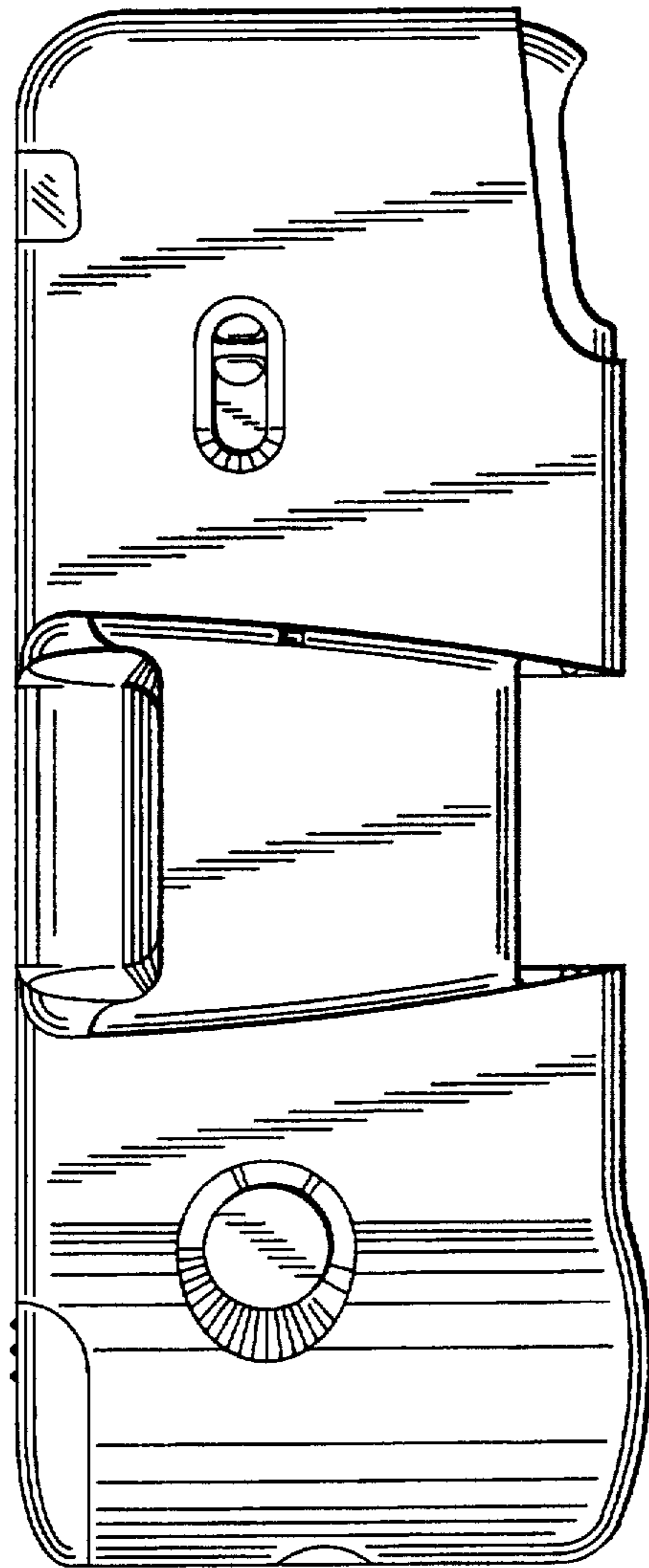


FIG. II

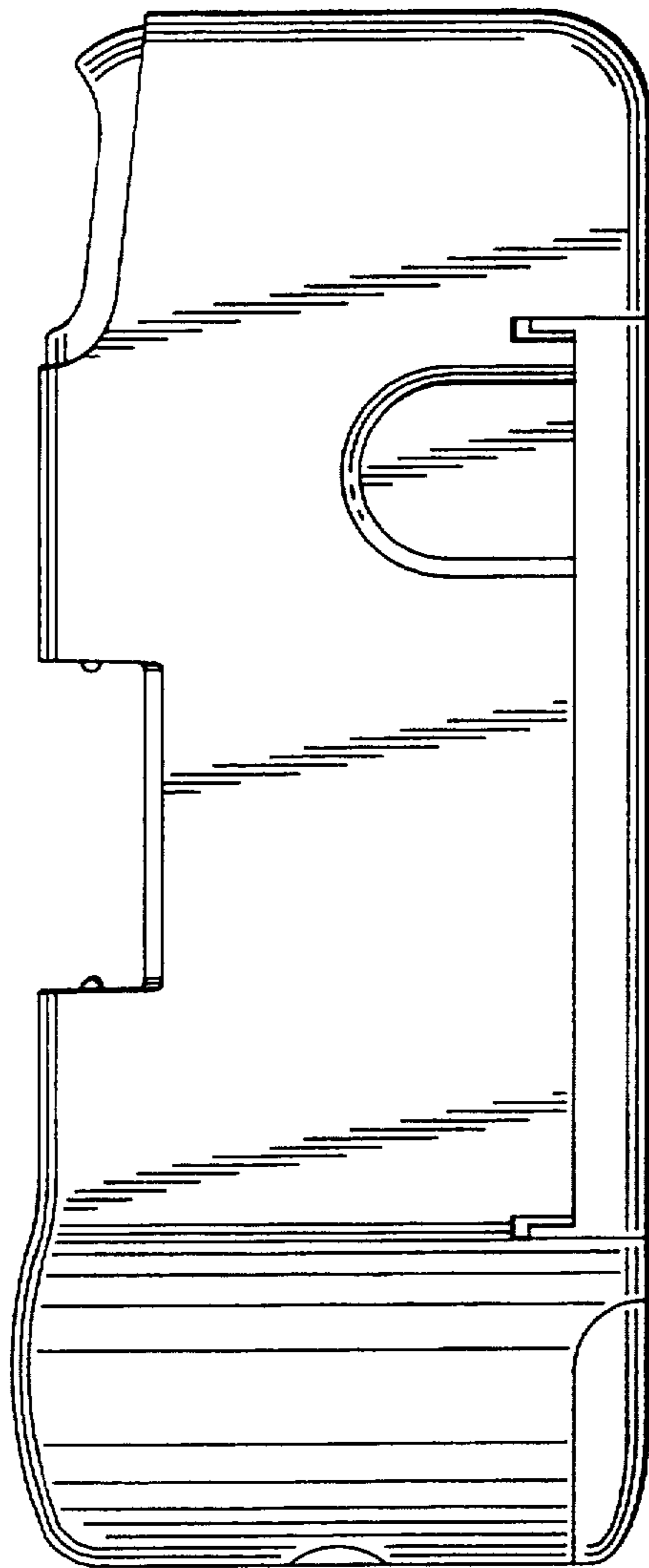


FIG. 12

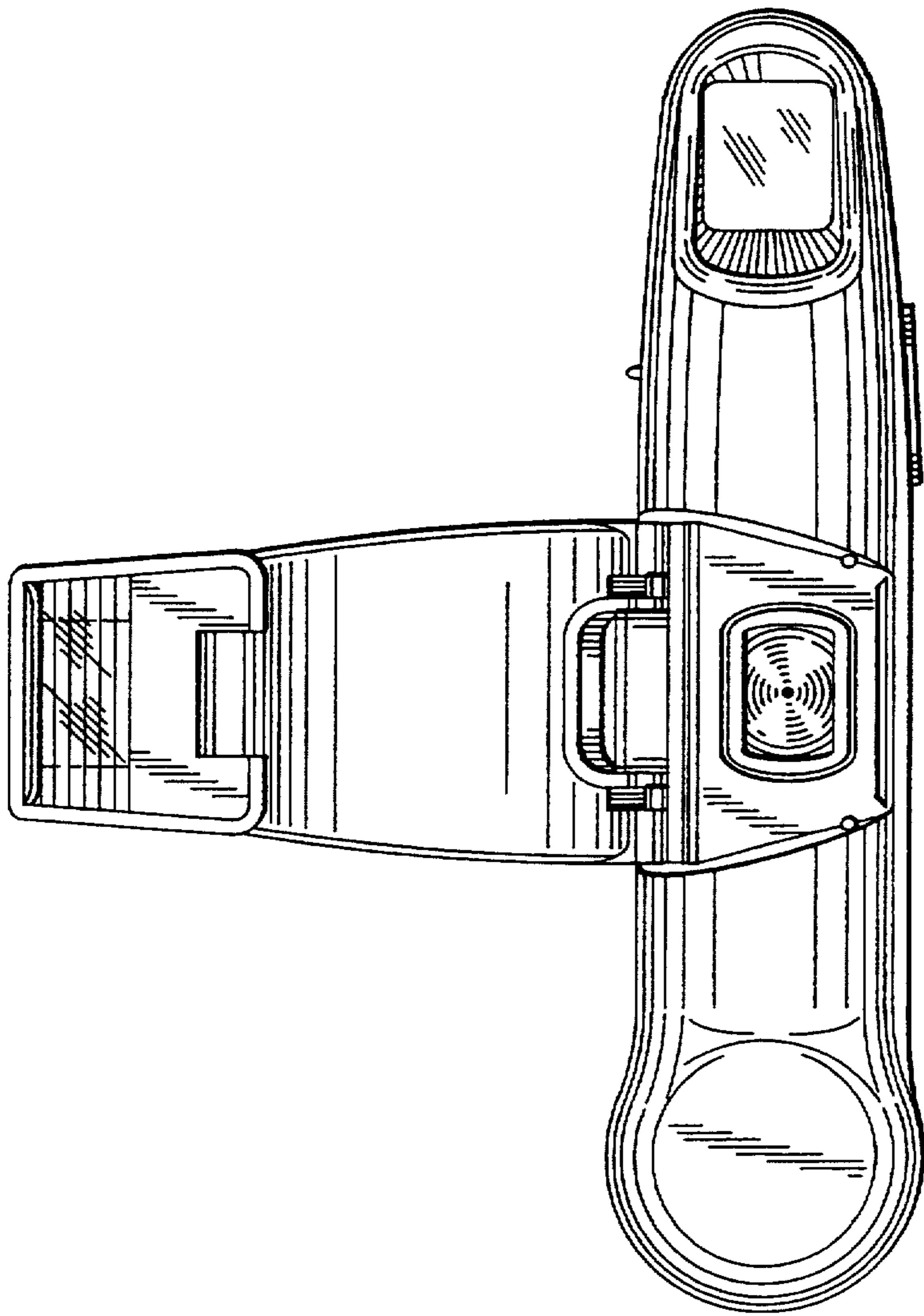


FIG. 13

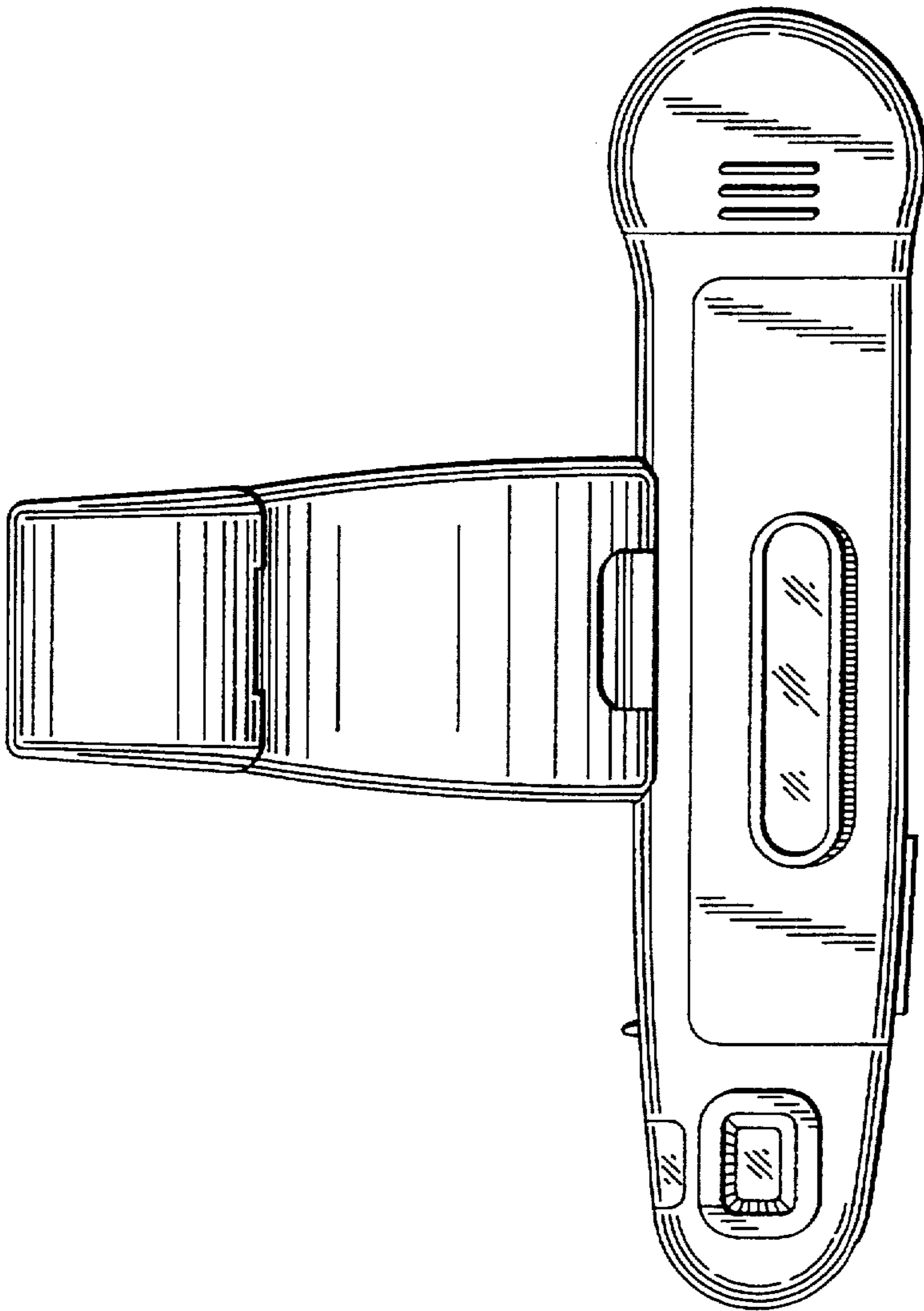


FIG. 14

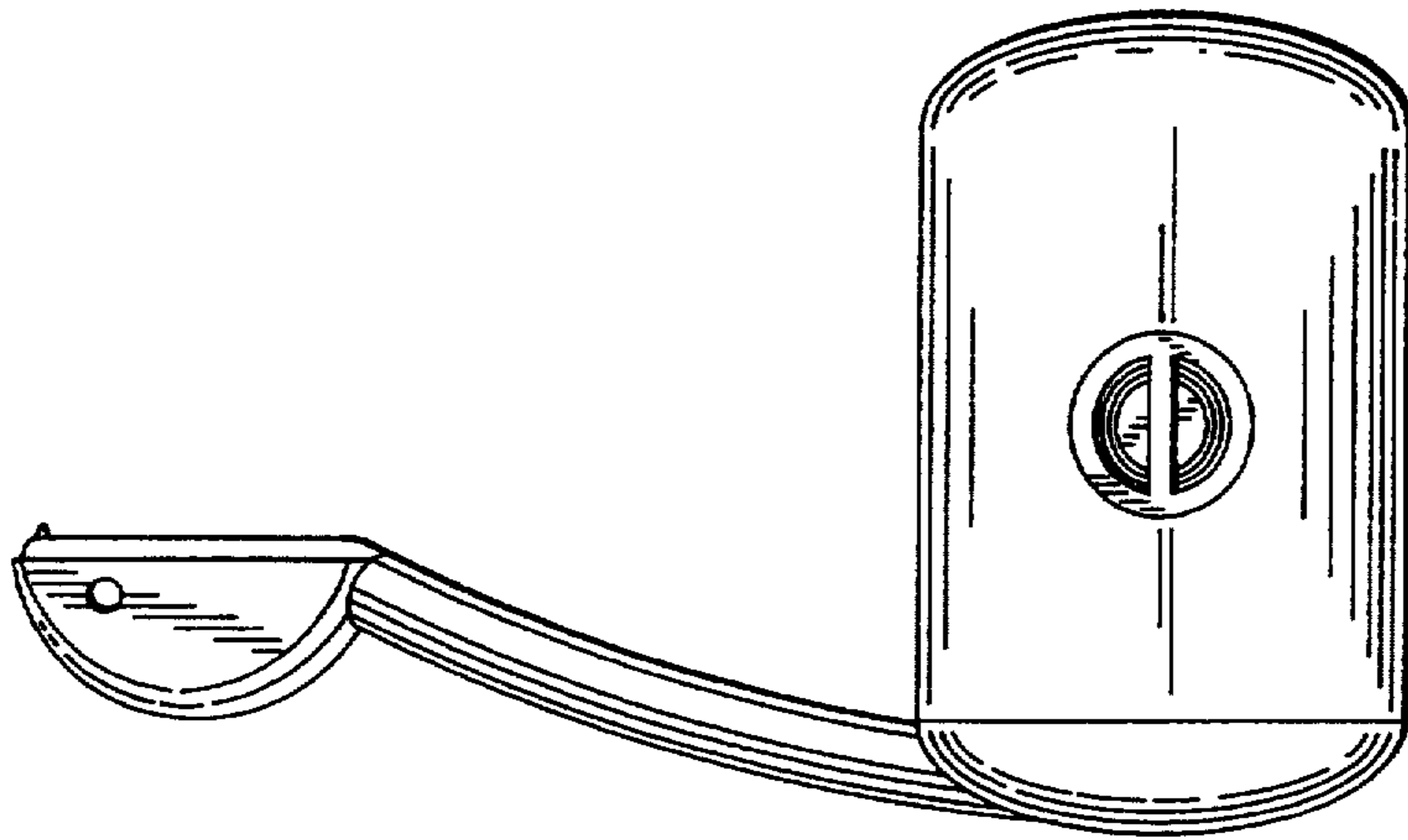


FIG. 15

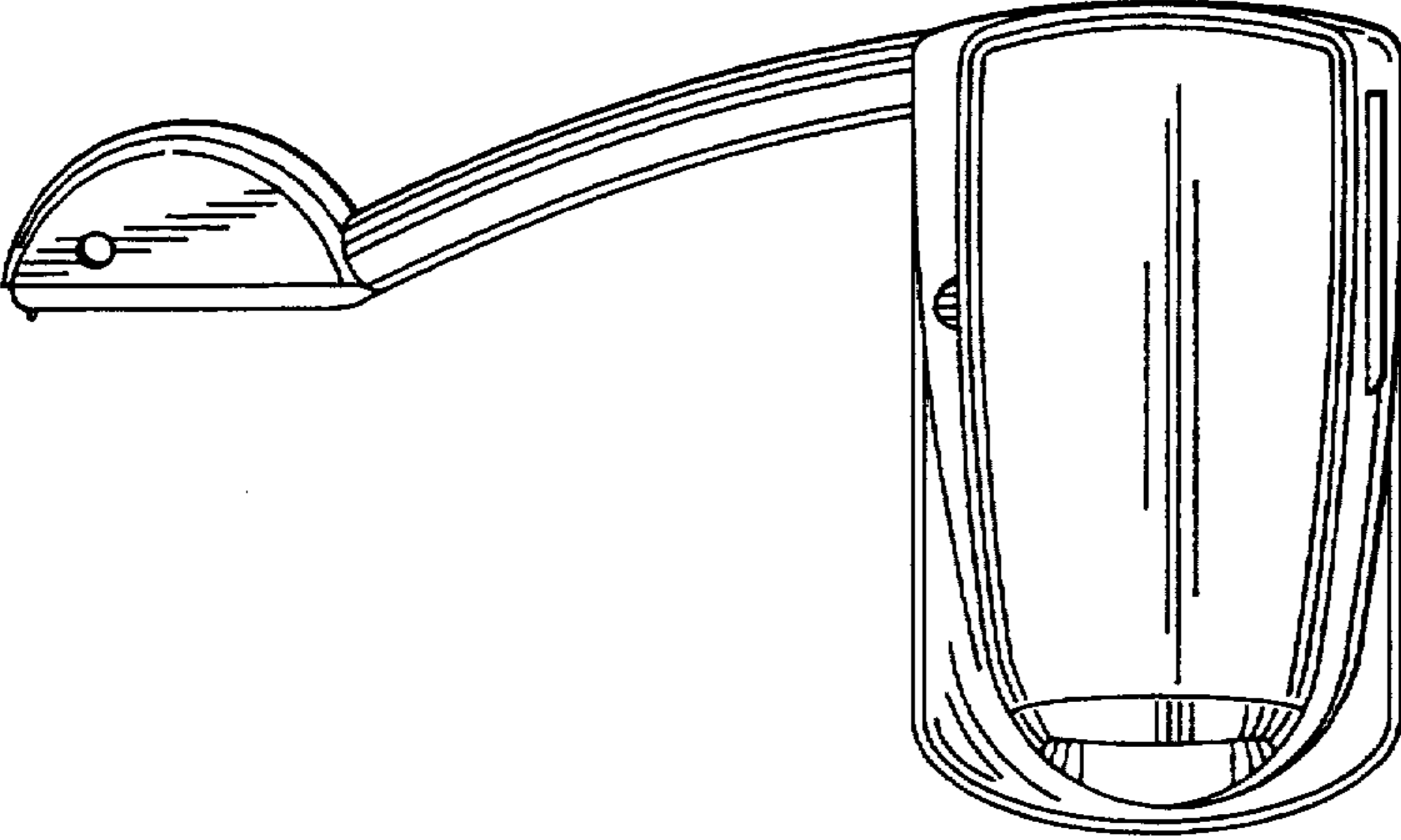


FIG. 16