



US00D351397S

**United States Patent** [19]  
**Dor**

[11] **Patent Number: Des. 351,397**

[45] **Date of Patent: \*\* Oct. 11, 1994**

[54] **NIGHT VISION MONOCULAR**

[75] **Inventor: Amotz Dor, Scottsdale, Ariz.**

[73] **Assignee: Litton Systems, Inc., Beverly Hills, Calif.**

[\*\*] **Term: 14 Years**

[21] **Appl. No.: 805,807**

[22] **Filed: Dec. 10, 1991**

[52] **U.S. Cl. .... D16/130**

[58] **Field of Search ..... 359/815; 250.3/350, 250.3/355; 250/330; D16/130; D22/109**

[56] **References Cited**

**U.S. PATENT DOCUMENTS**

D. 253,177	10/1979	Litman	.....	D16/130
3,425,769	2/1969	Stone	.....	359/815
4,198,114	4/1980	Zapp	.....	359/815
4,670,912	6/1987	Hart	.....	359/815
5,179,735	1/1993	Thomanek	.....	359/815
5,184,231	2/1993	Ellis	.....	359/815

**OTHER PUBLICATIONS**

Eyes in the Dark—Night Vision in a New Light, by Greg Walker, dated Jul. 1989, pp. 54–61.

We Own the Night, by Doug Richardson, Armada International dated Oct./Nov. 1991, pp. 40–50.

*Primary Examiner*—Cathy Anne MacCormac  
*Attorney, Agent, or Firm*—Poms, Smith, Lande & Rose

[57] **CLAIM**

The ornamental design for a night vision monocular, as shown and described.

**DESCRIPTION**

FIG. 1 is a top view of a night vision monocular showing my new design;

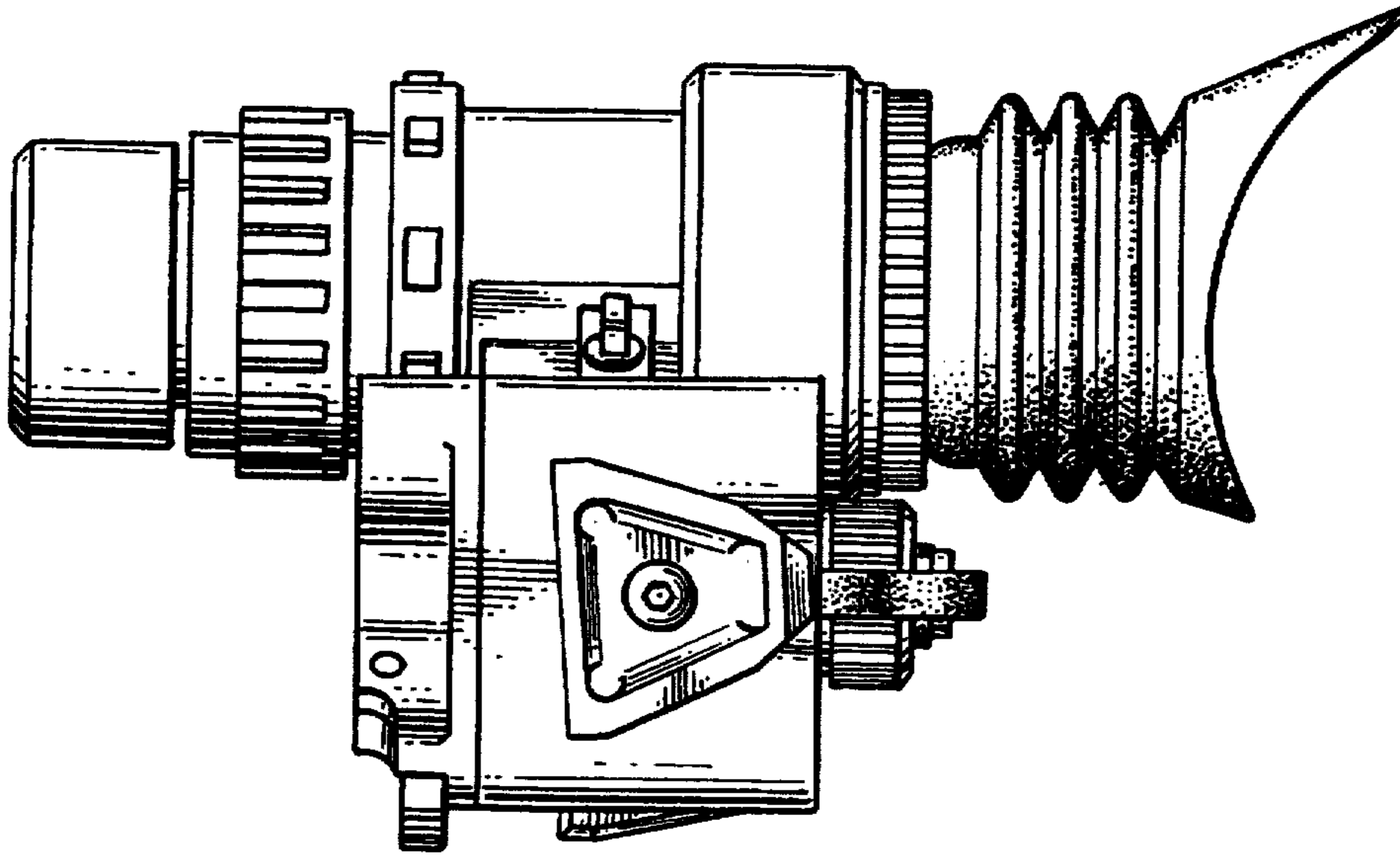
FIG. 2 is a side view thereof;

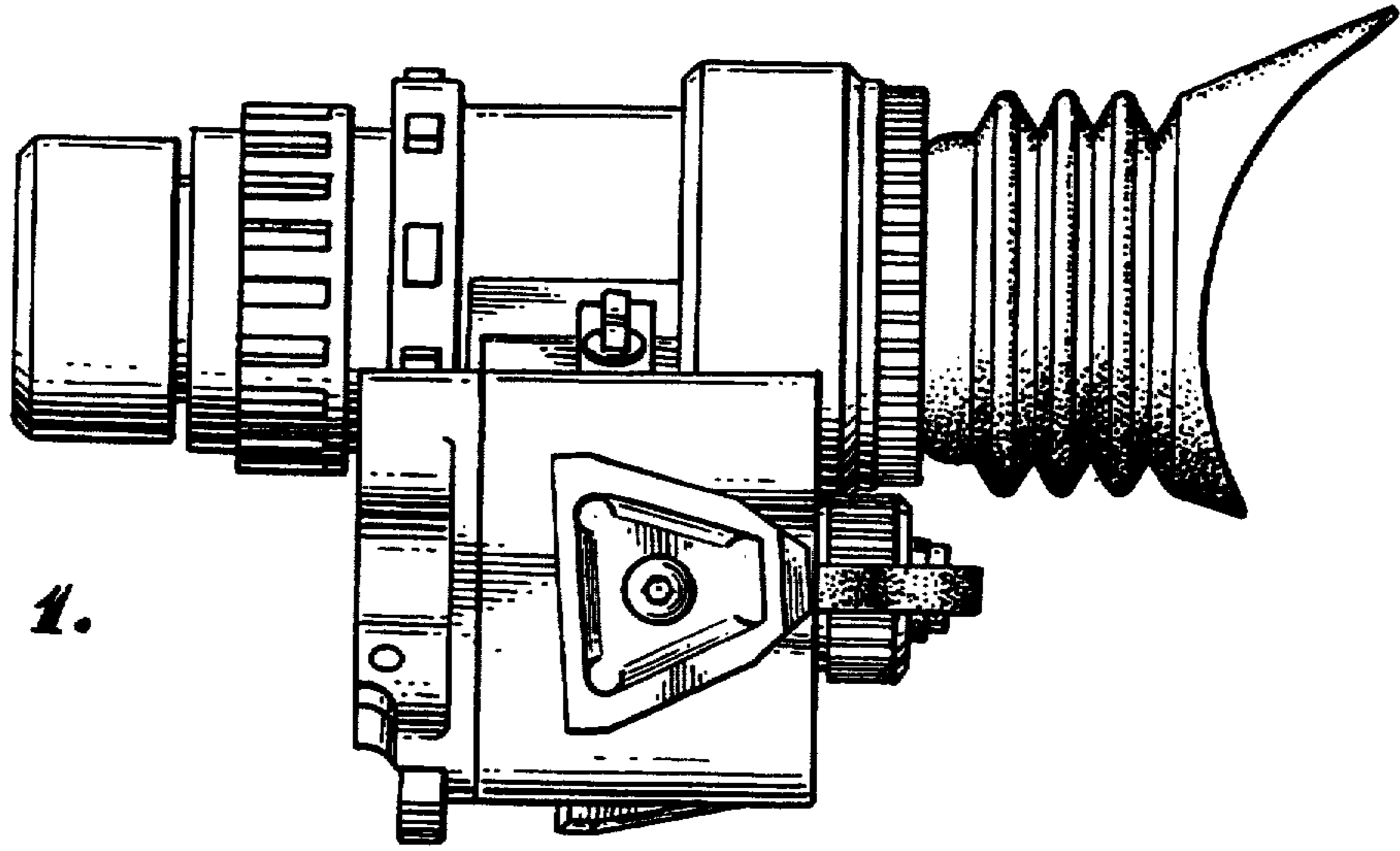
FIG. 3 is a front view thereof;

FIG. 4 is a bottom view thereof;

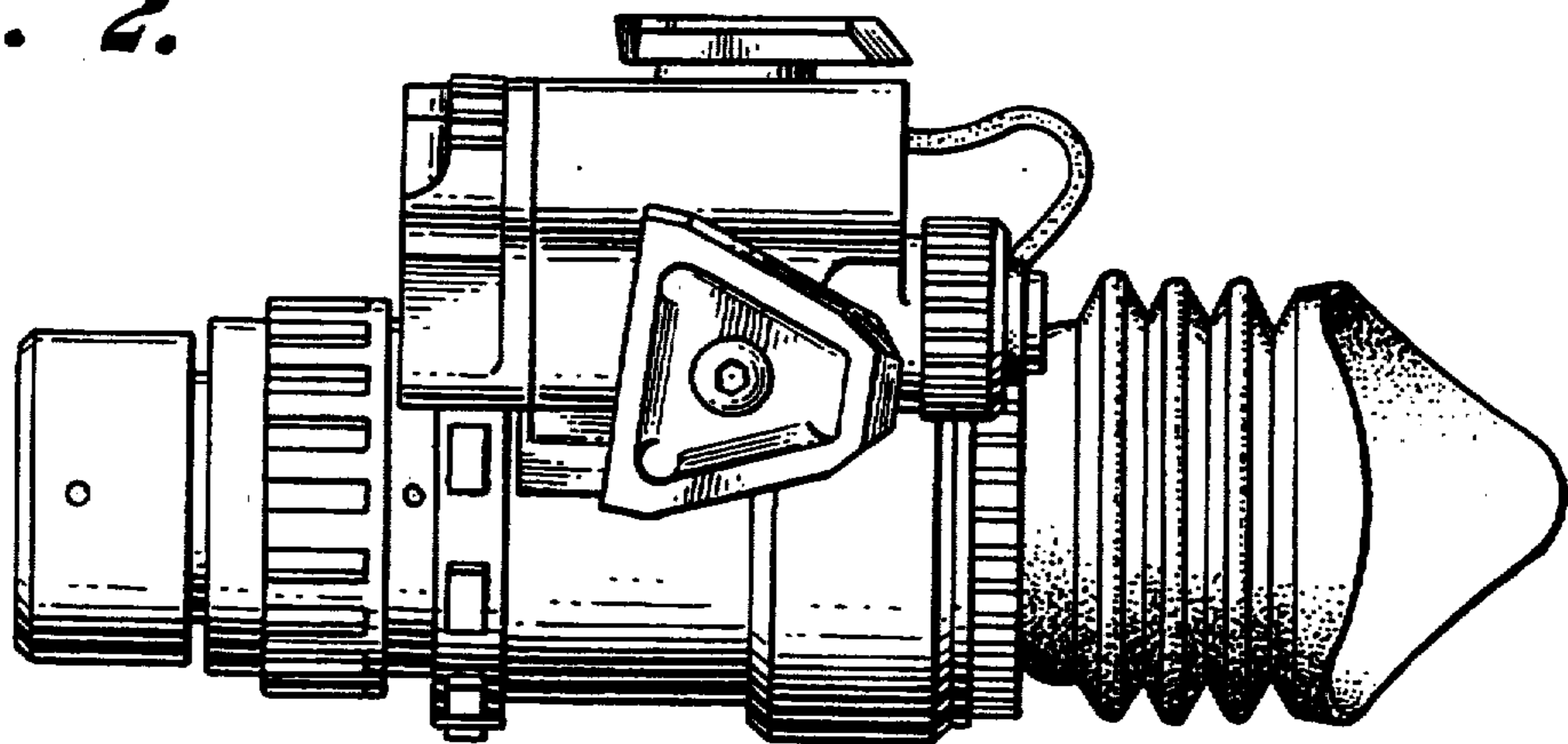
FIG. 5 is a rear view thereof; and,

FIG. 6 is a second side view thereof.

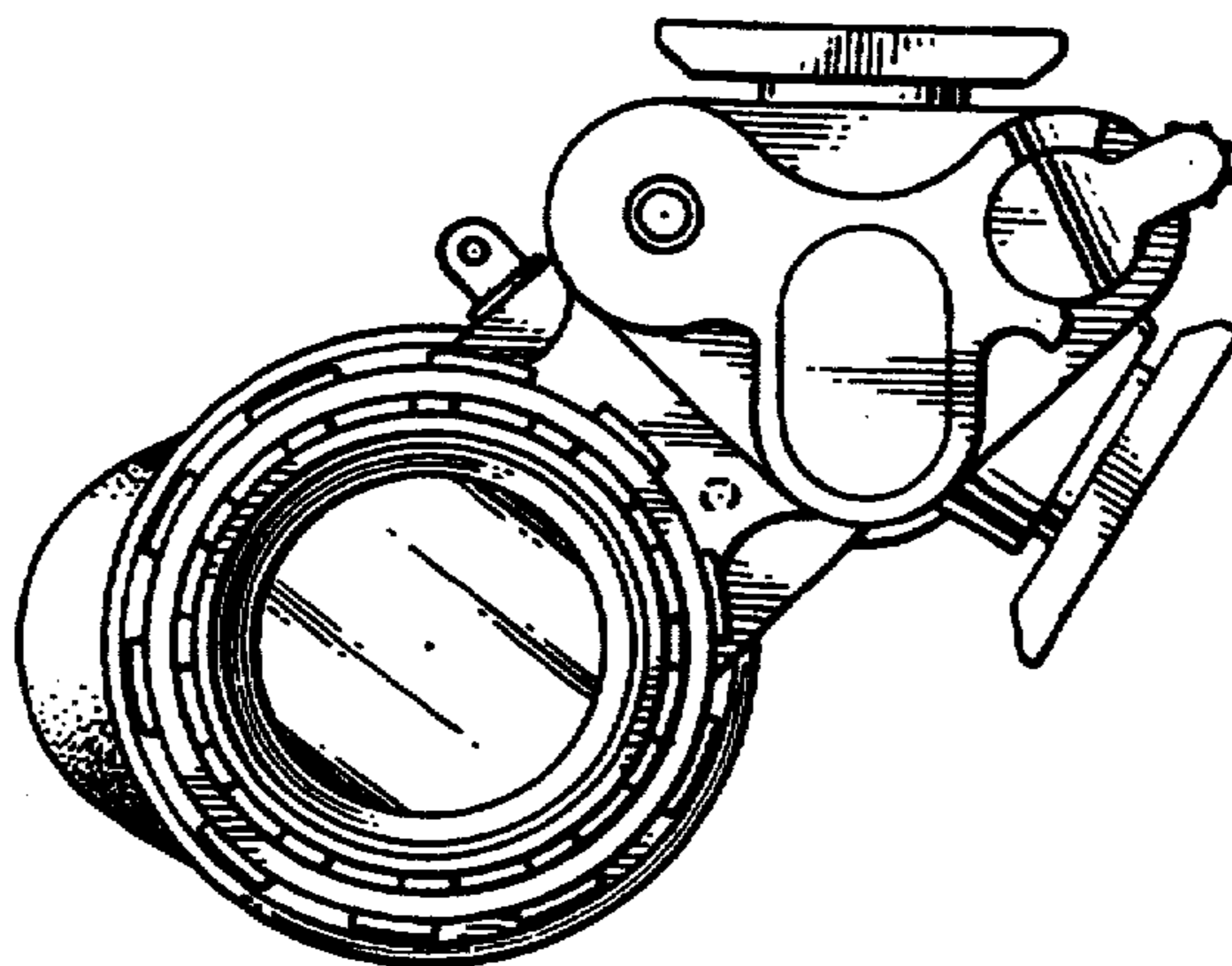




*Fig. 1.*

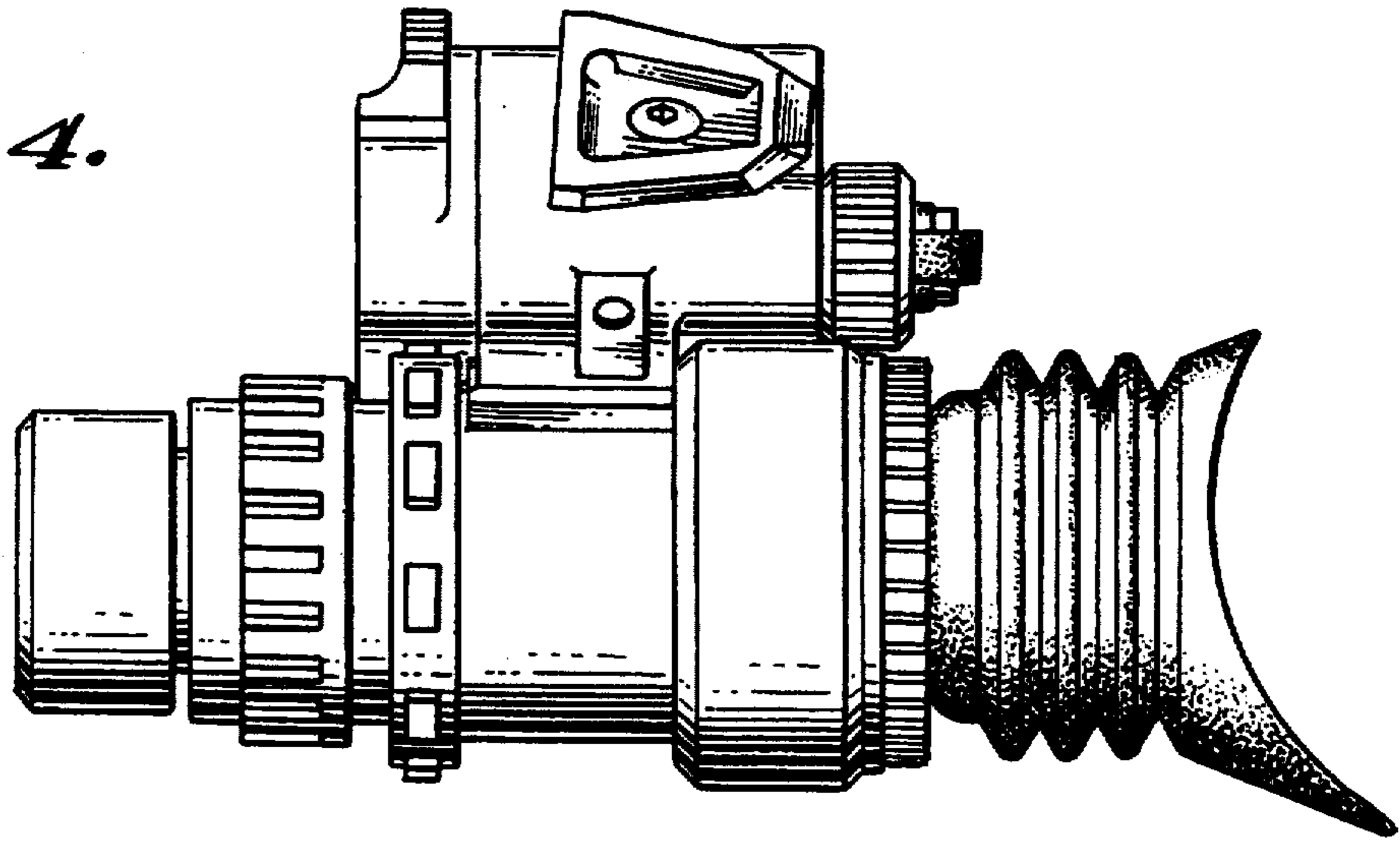


*Fig. 2.*

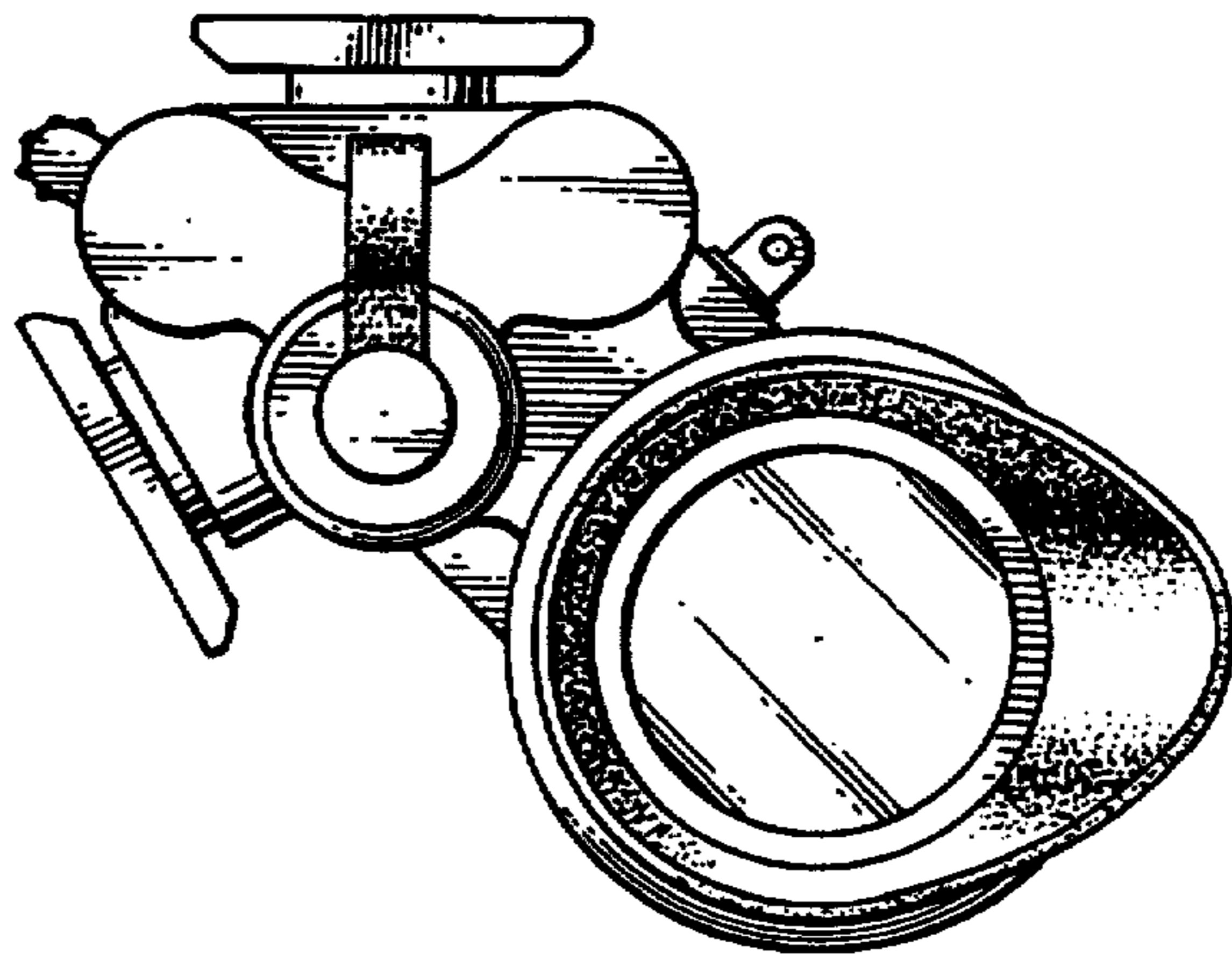


*Fig. 3.*

*Fig. 4.*



*Fig. 5.*



*Fig. 6.*

