



US00D351396S

United States Patent [19]
Conway

[11] **Patent Number: Des. 351,396**

[45] **Date of Patent: ** Oct. 11, 1994**

[54] **INTERCHANGEABLE TEMPLE**

[75] **Inventor: Simon M. Conway, Lima, N.Y.**

[73] **Assignee: Bausch & Lomb Incorporated, Rochester, N.Y.**

[**] **Term: 14 Years**

[21] **Appl. No.: 9,337**

[22] **Filed: Jun. 7, 1993**

[52] **U.S. Cl. D16/335**

[58] **Field of Search** 351/44, 51, 105, 111, 351/112, 114, 116, 123, 158; 359/480, 482, 630; D16/102, 103, 107, 111, 112, 116, 119, 122, 125, 127; D29/6, 9

2,671,379 3/1954 Eloranta 88/53
 2,996,955 8/1961 Gamble 351/111
 5,032,017 7/1991 Bollé 351/116

Primary Examiner—B. J. Bullock
Assistant Examiner—R. Barkai
Attorney, Agent, or Firm—Salvatore P. Pace; Denis A. Polyn

[57] **CLAIM**

The ornamental design for an interchangeable temple, as shown and described.

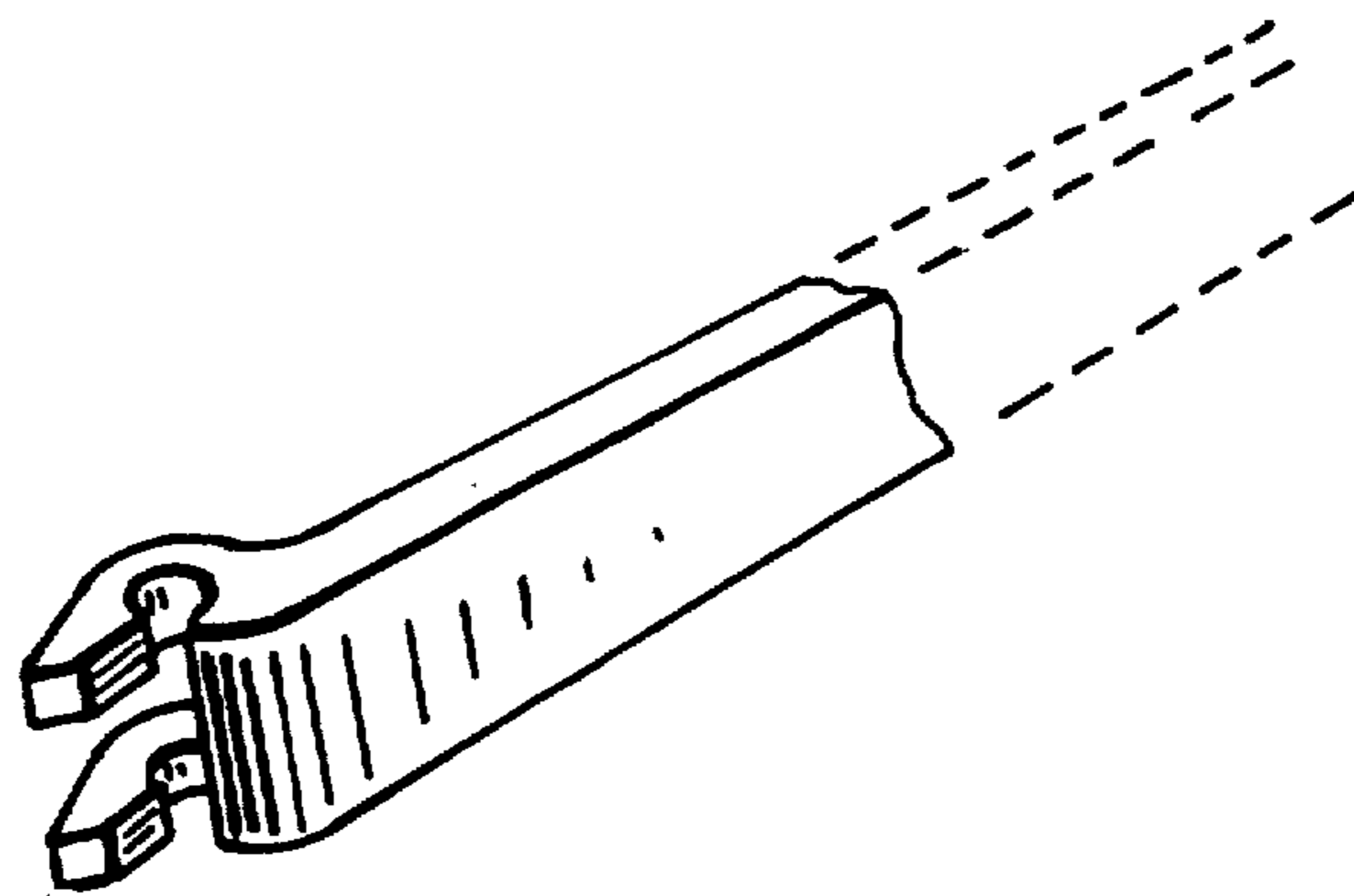
DESCRIPTION

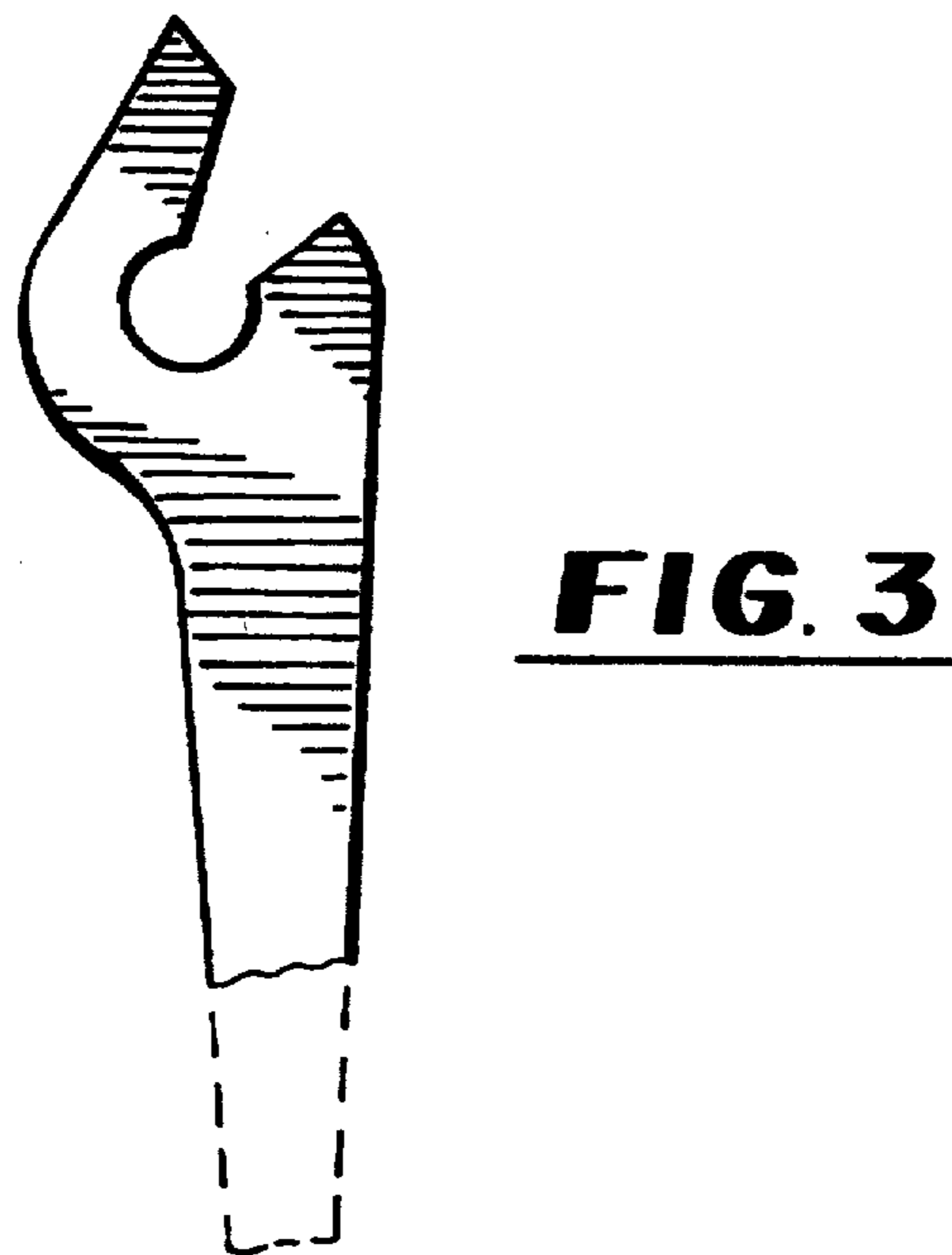
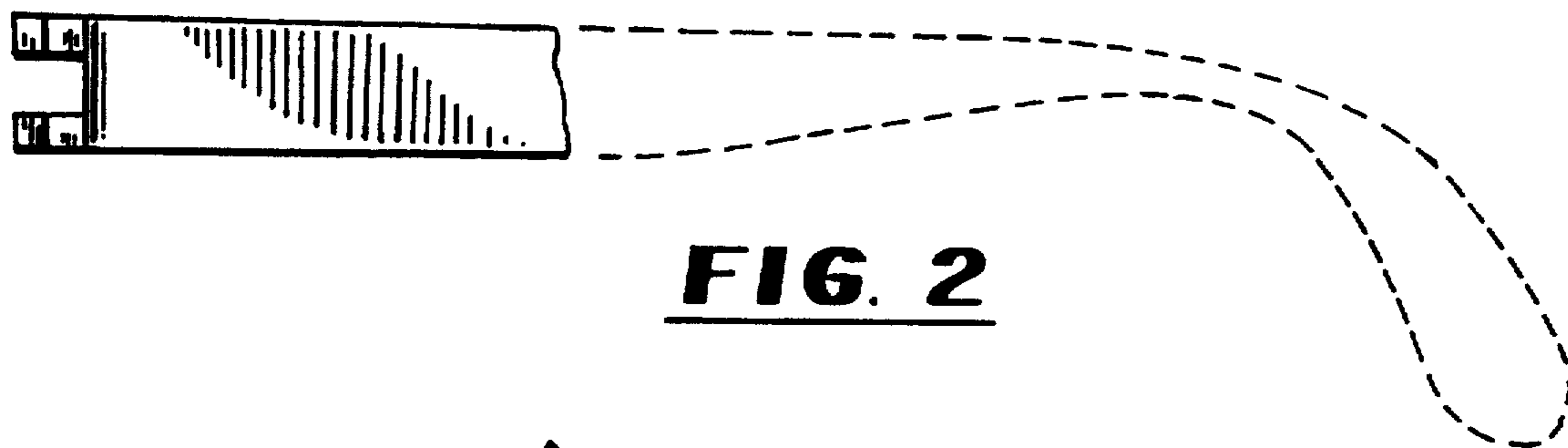
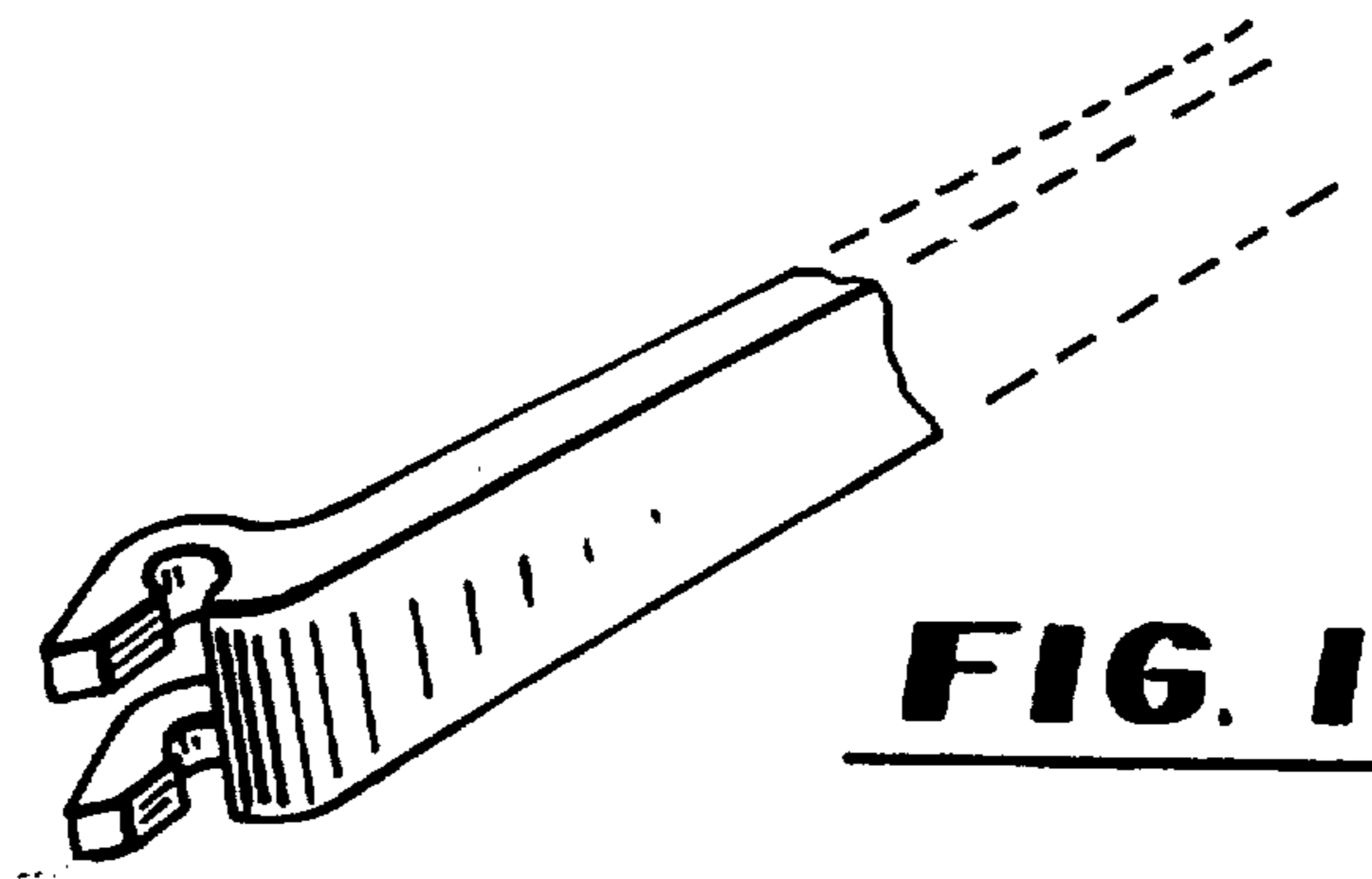
FIG. 1 is a right front perspective view of an interchangeable temple;
 FIG. 2 is a right side view thereof;
 FIG. 3 is a bottom view thereof;
 FIG. 4 is a mirror image of a left side view thereof; and,
 FIG. 5 is a top view thereof.
 The broken line showing of the rear part of the temple in FIGS. 1-5 is for illustrative purposes only and forms no part of the claimed design.

[56] **References Cited**

U.S. PATENT DOCUMENTS

D. 75,450 6/1928 Schumacher D16/127
 D. 164,889 10/1951 Weissman 351/111
 232,795 9/1880 Willson 351/111
 1,609,350 12/1926 Epstein 351/111





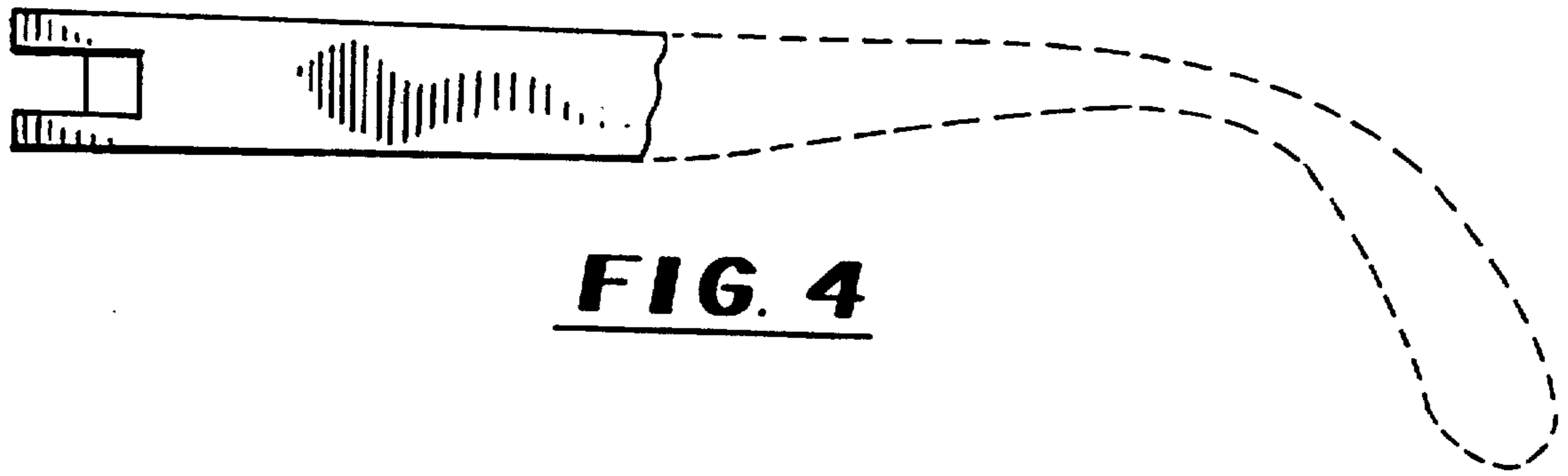


FIG. 4

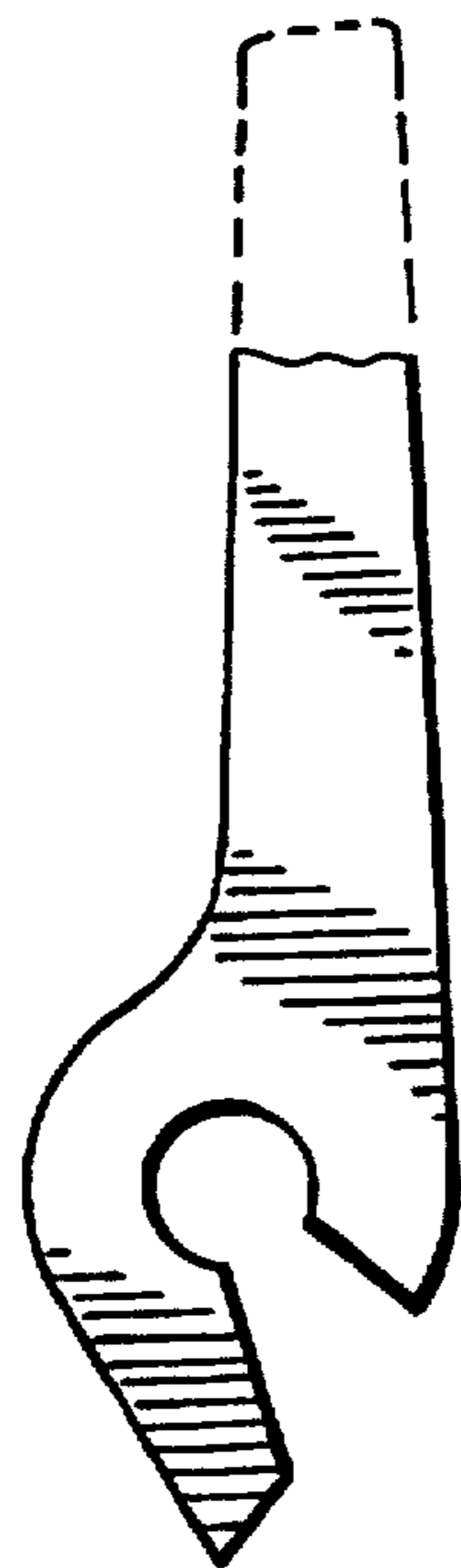


FIG. 5