



US00D351393S

United States Patent [19]

Sasaki et al.

[11] Patent Number: **Des. 351,393**

[45] Date of Patent: **** Oct. 11, 1994**

[54] **MITER SAW**

[75] Inventors: **Katsuhiko Sasaki; Mitsuyoshi Niinomi; Yoshinori Shibata; Hisashi Higuchi**, all of Anjo, Japan

[73] Assignee: **Makita Corporation**, Anjo, Japan

[**] Term: **14 Years**

[21] Appl. No.: **9,886**

[22] Filed: **Jun. 25, 1993**

[30] **Foreign Application Priority Data**

Dec. 28, 1992 [JP] Japan 4-39016

[52] U.S. Cl. **D15/133**

[58] Field of Search 83/471.2, 471.3, 477, 83/581; D15/133

[56] **References Cited**

U.S. PATENT DOCUMENTS

D. 306,031 2/1990 Ushiwata et al. .

D. 324,055 2/1992 Sakai et al. D15/133
D. 331,416 12/1992 Fushiya et al. D15/133
D. 336,652 6/1993 Archart D15/133
4,527,453 7/1985 van Hauten 83/471.3 X

Primary Examiner—Alan P. Douglas
Assistant Examiner—Antoine D. Davis
Attorney, Agent, or Firm—Dennison, Meserole, Pollack & Scheiner

[57] **CLAIM**

The ornamental design for a miter saw, as shown and described.

DESCRIPTION

FIG. 1 is a perspective view of a miter saw showing our new design;
FIG. 2 is a front elevational view thereof;
FIG. 3 is a rear elevational view thereof;
FIG. 4 is a left side elevational view thereof;
FIG. 5 is a right side elevational view thereof;
FIG. 6 is a top plan view thereof; and,
FIG. 7 is a bottom plan view thereof.

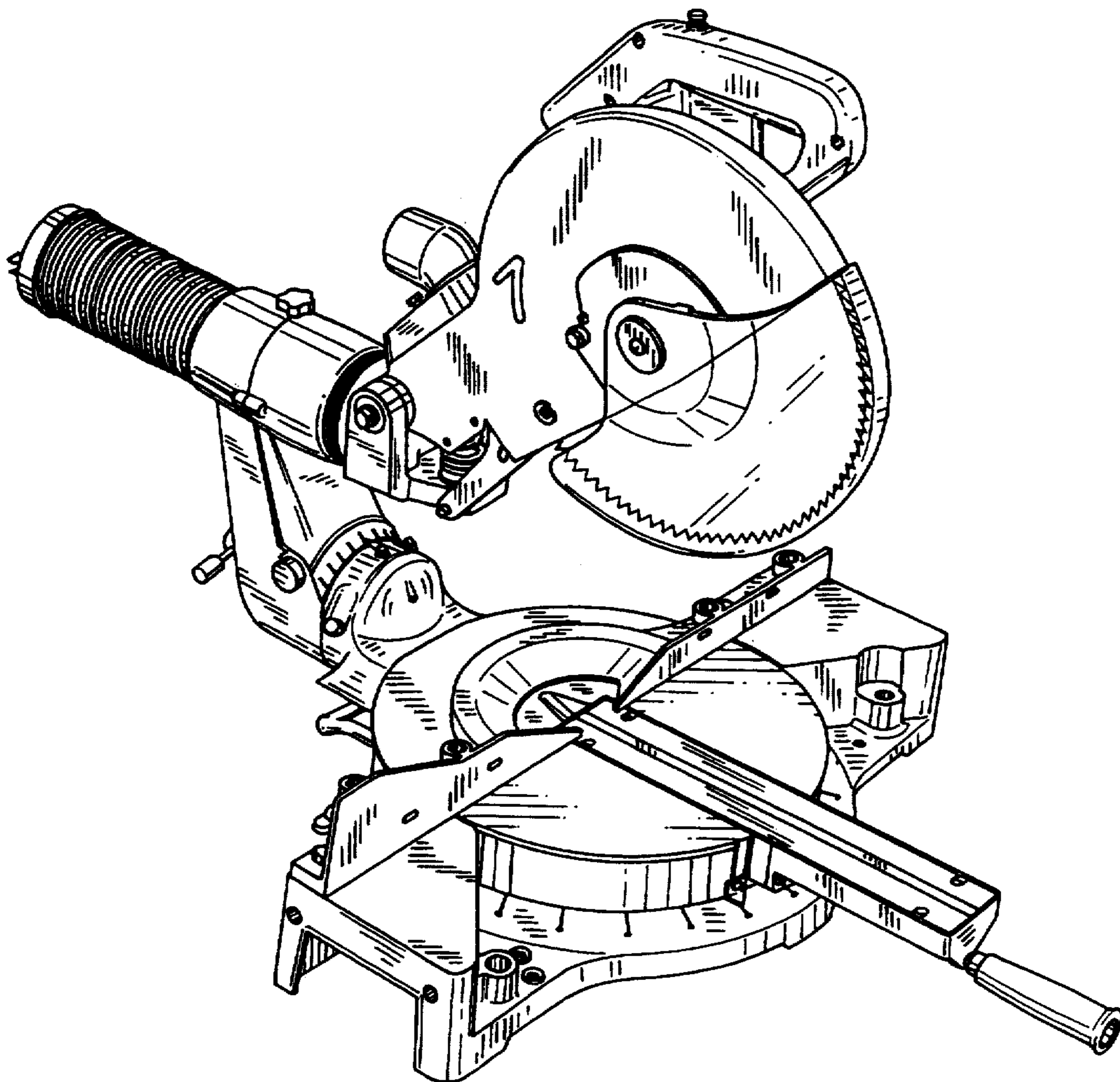
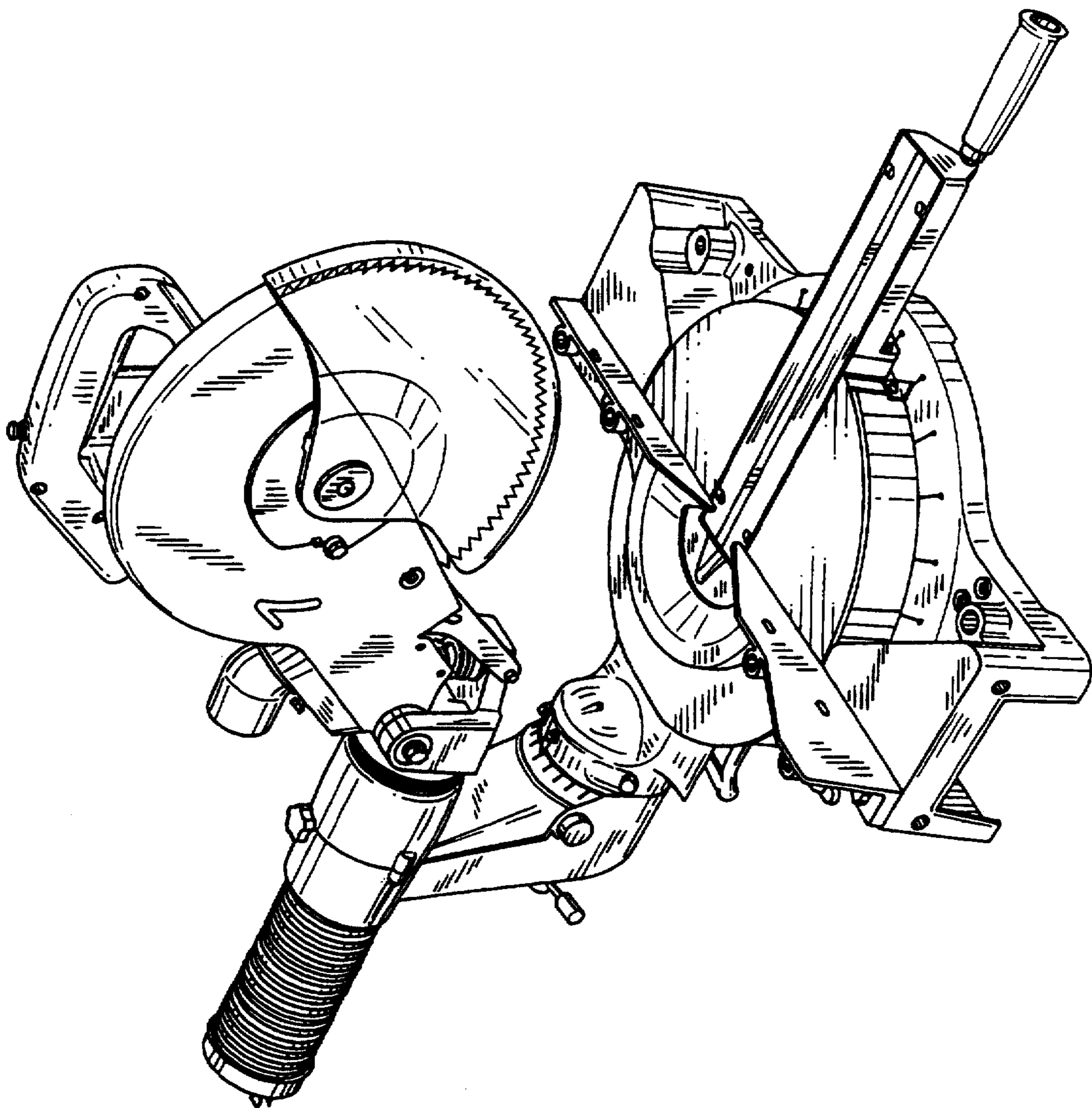


FIG. 1



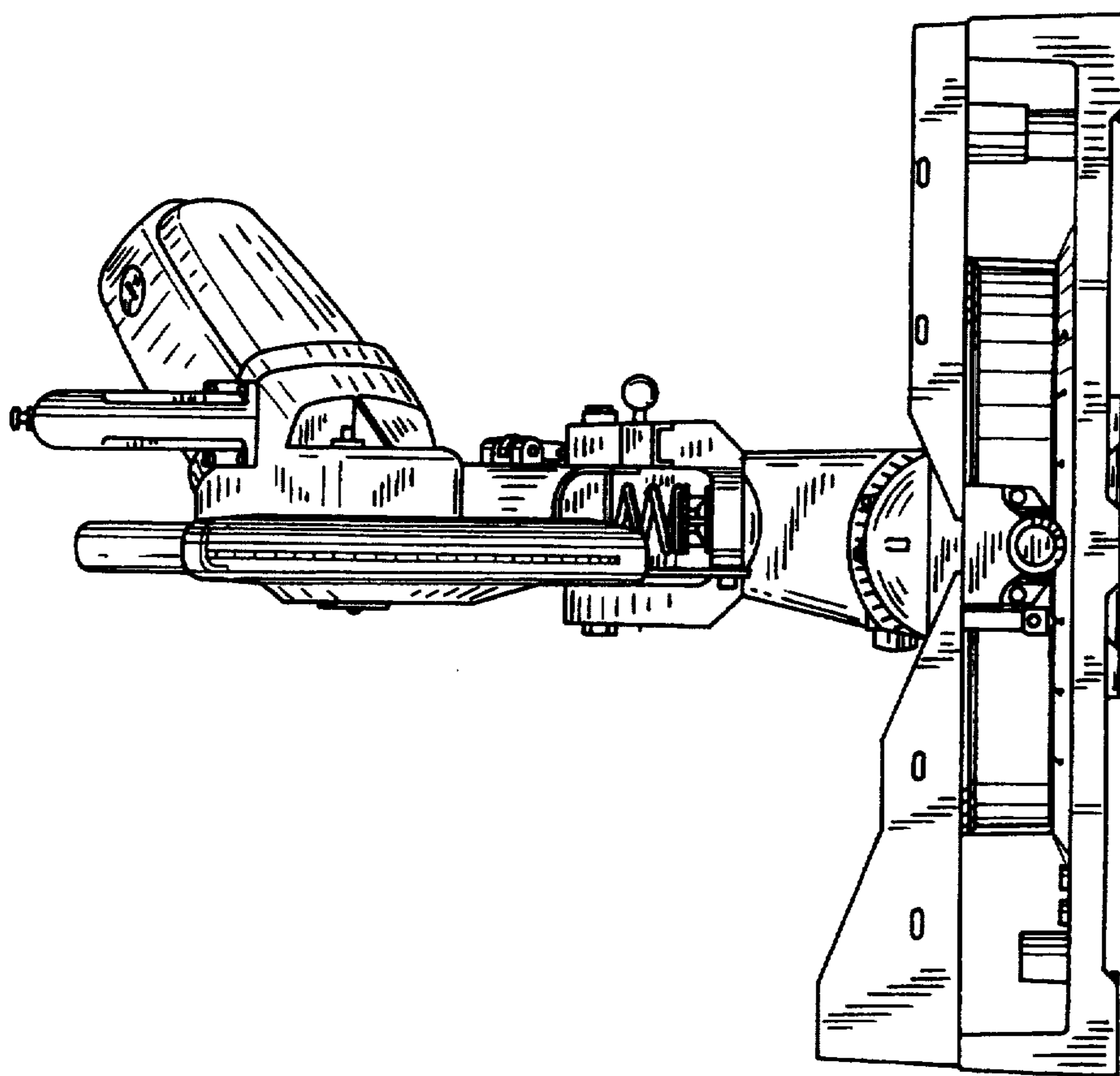


FIG.2

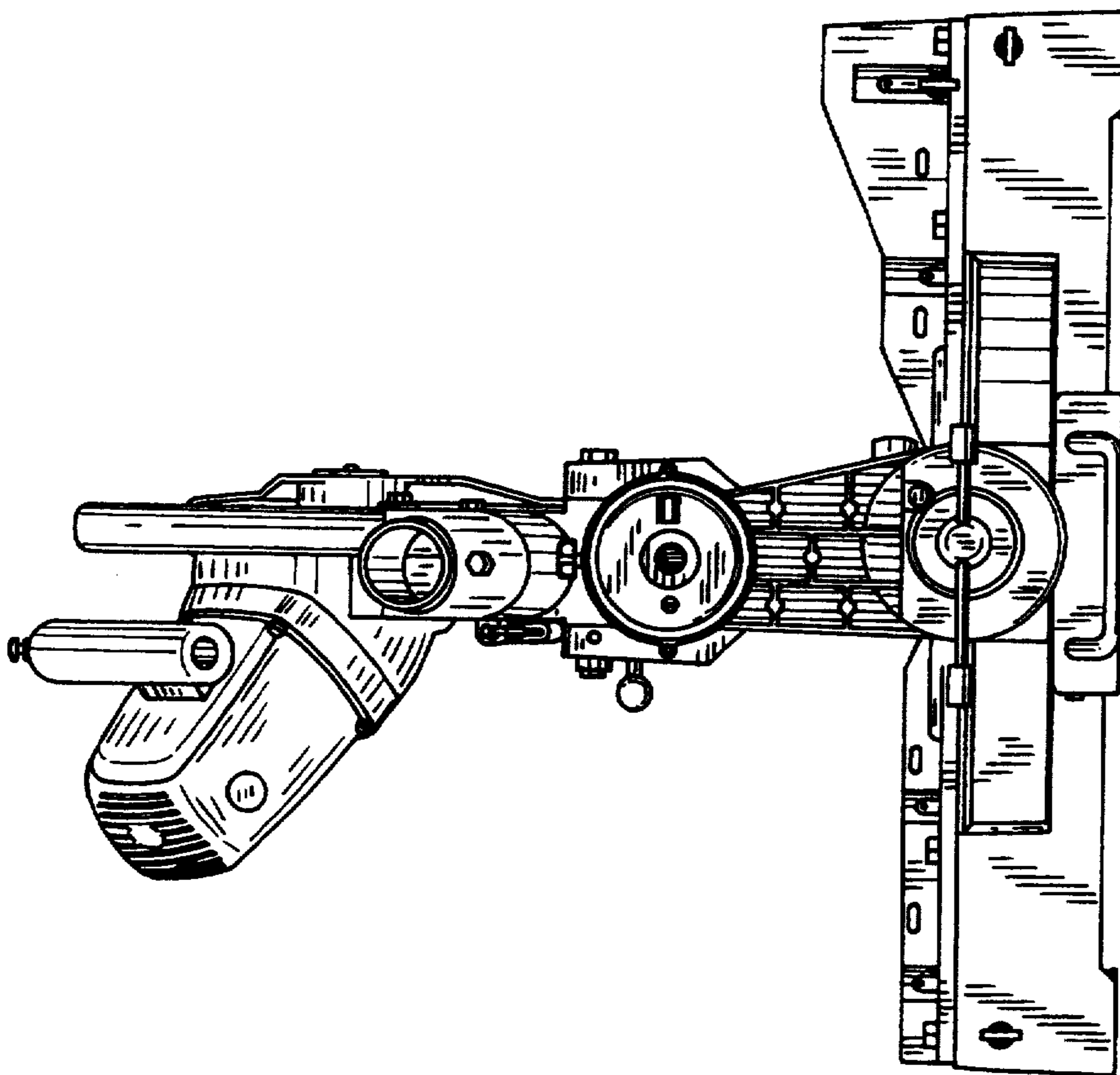


FIG. 3

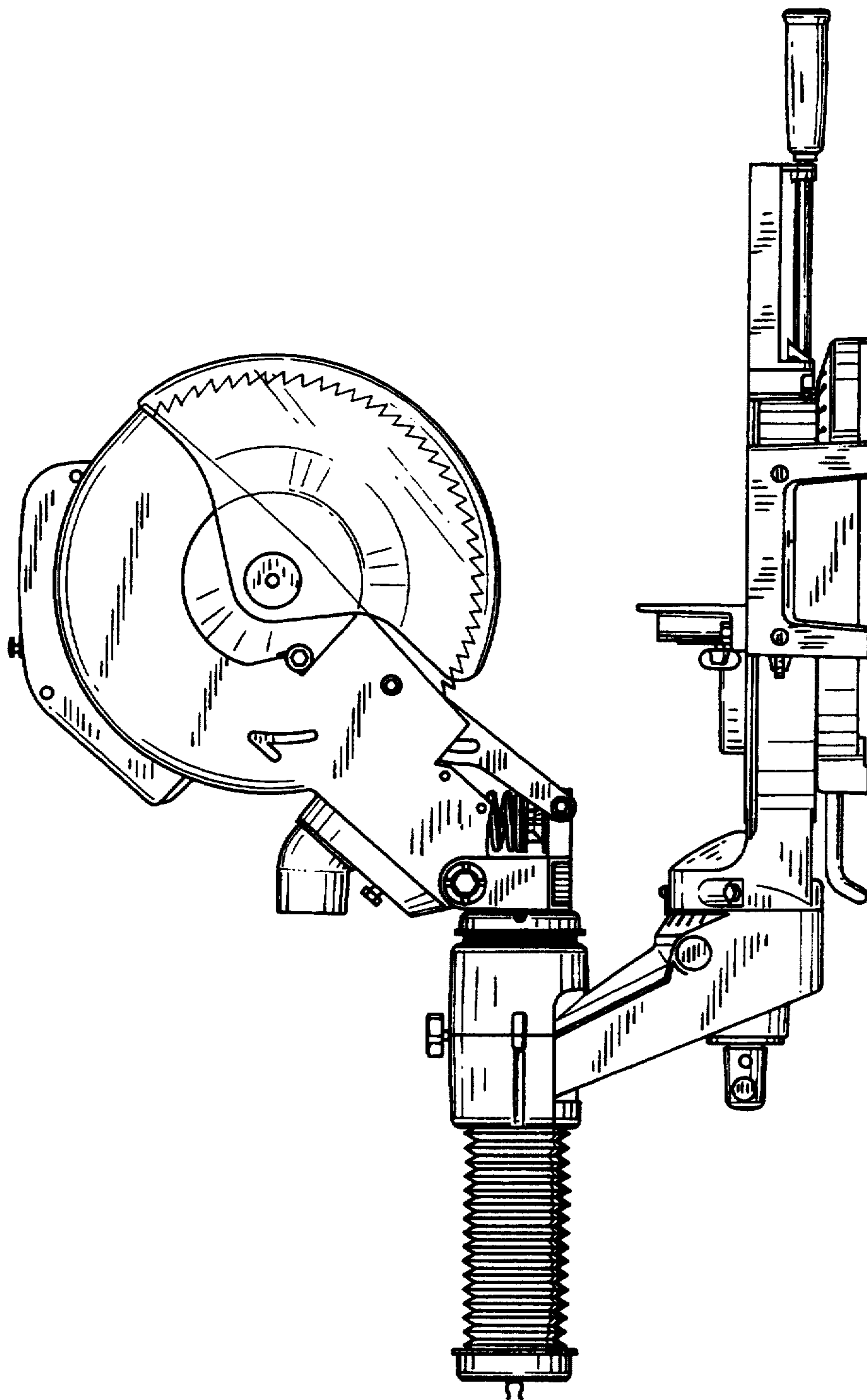


FIG. 4

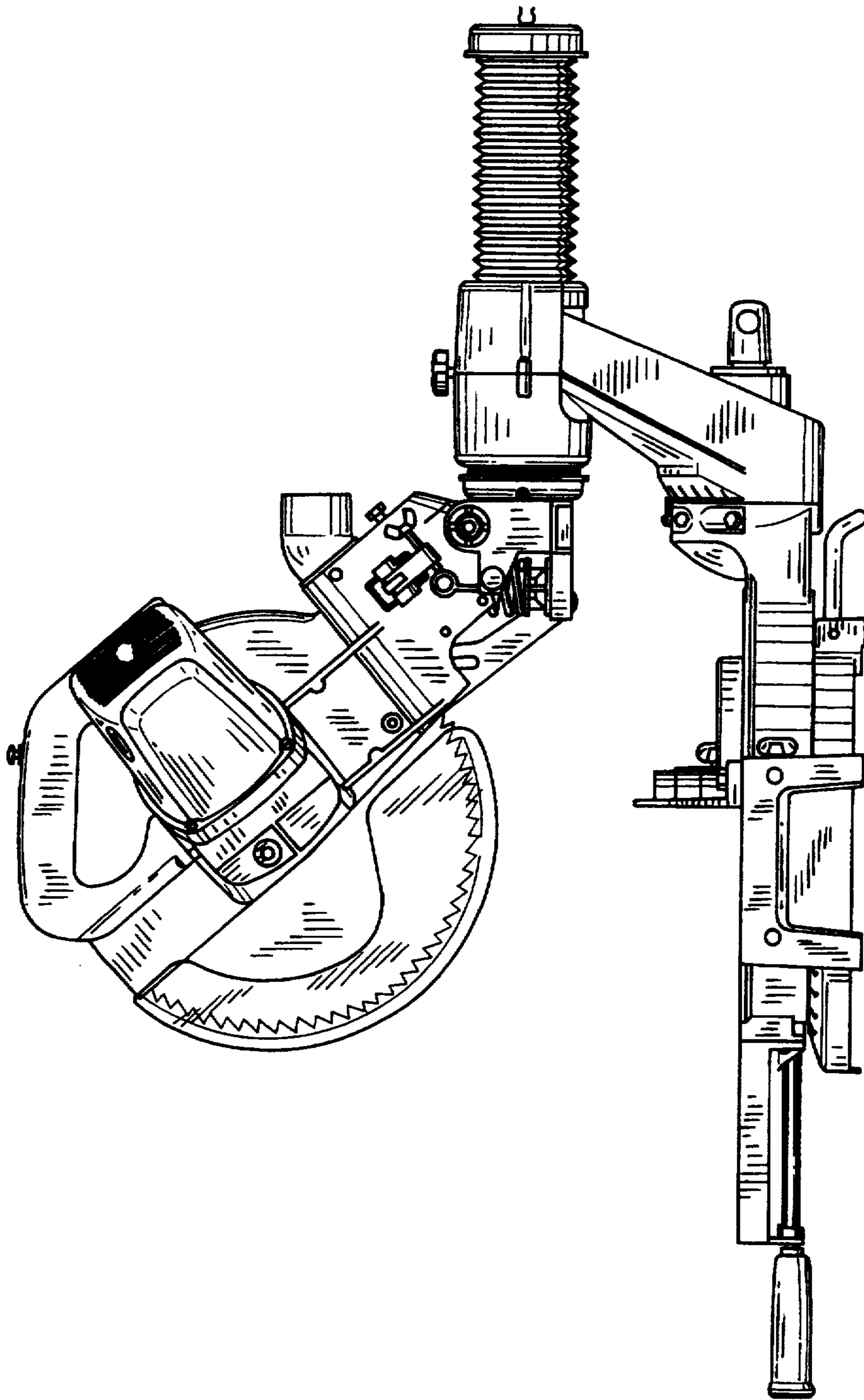


FIG. 5

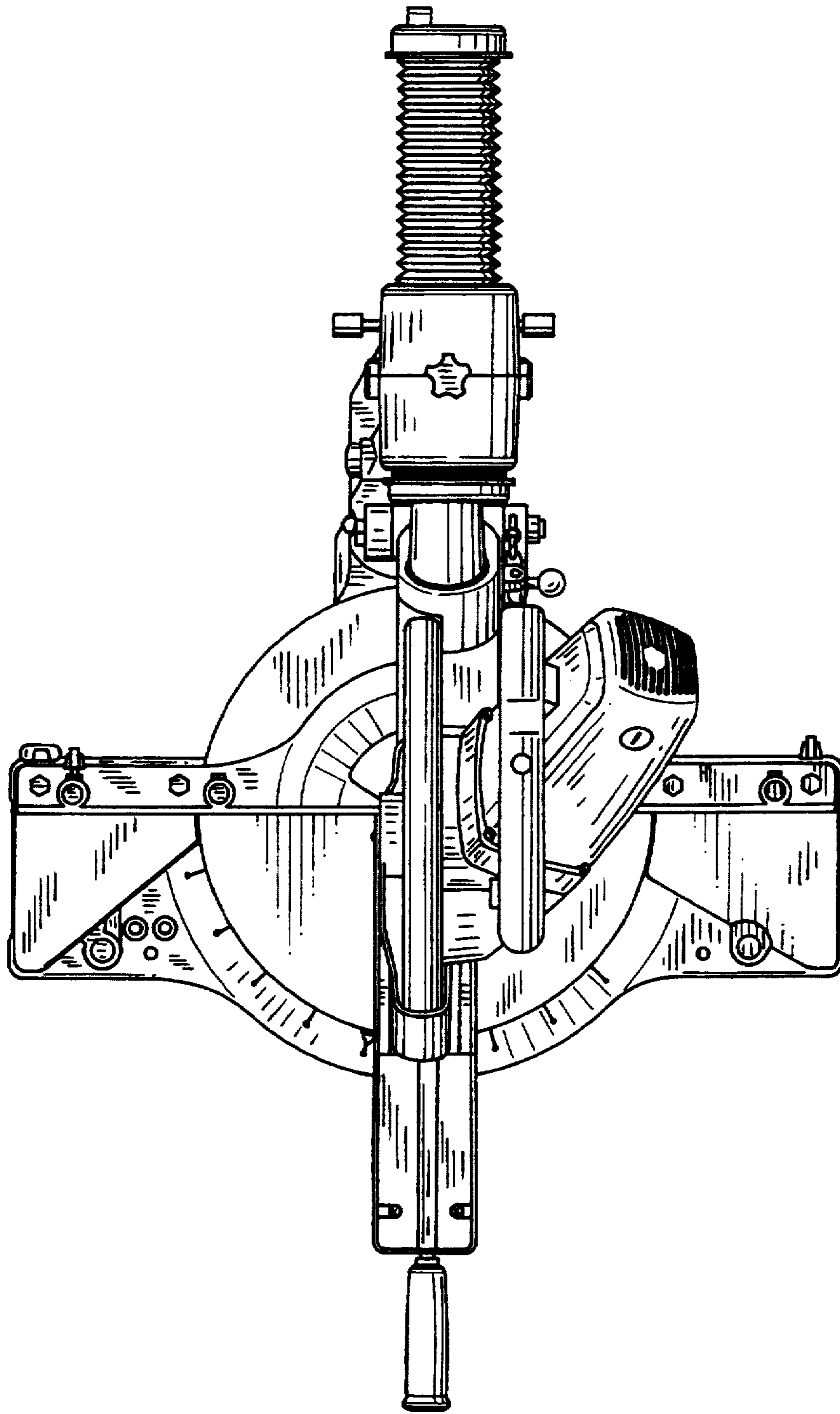


FIG. 6

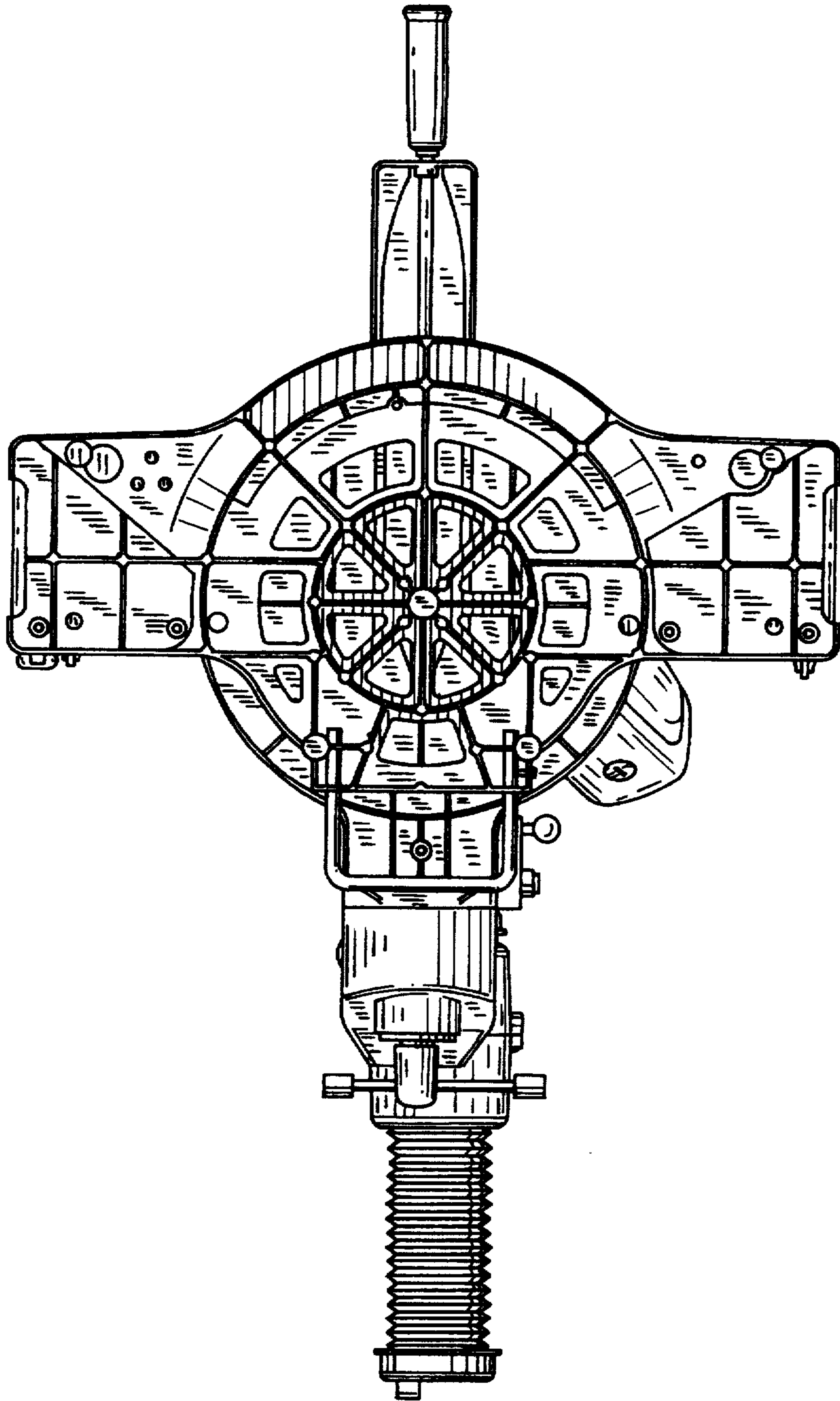


FIG. 7