



US00D351392S

United States Patent [19] Bridges

[11] Patent Number: **Des. 351,392**

[45] Date of Patent: **** Oct. 11, 1994**

[54] **DICTIONATION MICROPHONE WITH BAR CODE READER**

[75] Inventor: **Rodney L. Bridges, Norcross, Ga.**

[73] Assignee: **Lanier Worldwide, Inc., Atlanta, Ga.**

[**] Term: **14 Years**

[21] Appl. No.: **922,956**

[22] Filed: **Jul. 30, 1992**

[52] U.S. Cl. **D14/226; D14/116**

[58] Field of Search **235/470, 472; 360/83, 360/137; D14/114, 116, 154, 225-229**

[56] **References Cited**

U.S. PATENT DOCUMENTS

D. 236,355	8/1975	Yang	D26/14 J
D. 246,781	12/1977	Krolopp	D14/225
D. 250,532	12/1978	Walz	D14/154
D. 260,255	8/1981	Dietrich	D14/154
D. 303,663	9/1989	Kumar et al.	D14/116

D. 319,226	8/1991	Yokoi et al.	D14/116
D. 339,344	9/1993	Ellermeir	D14/154
3,976,973	8/1976	Martin et al.	235/472
4,621,189	11/1986	Kumar et al.	235/472

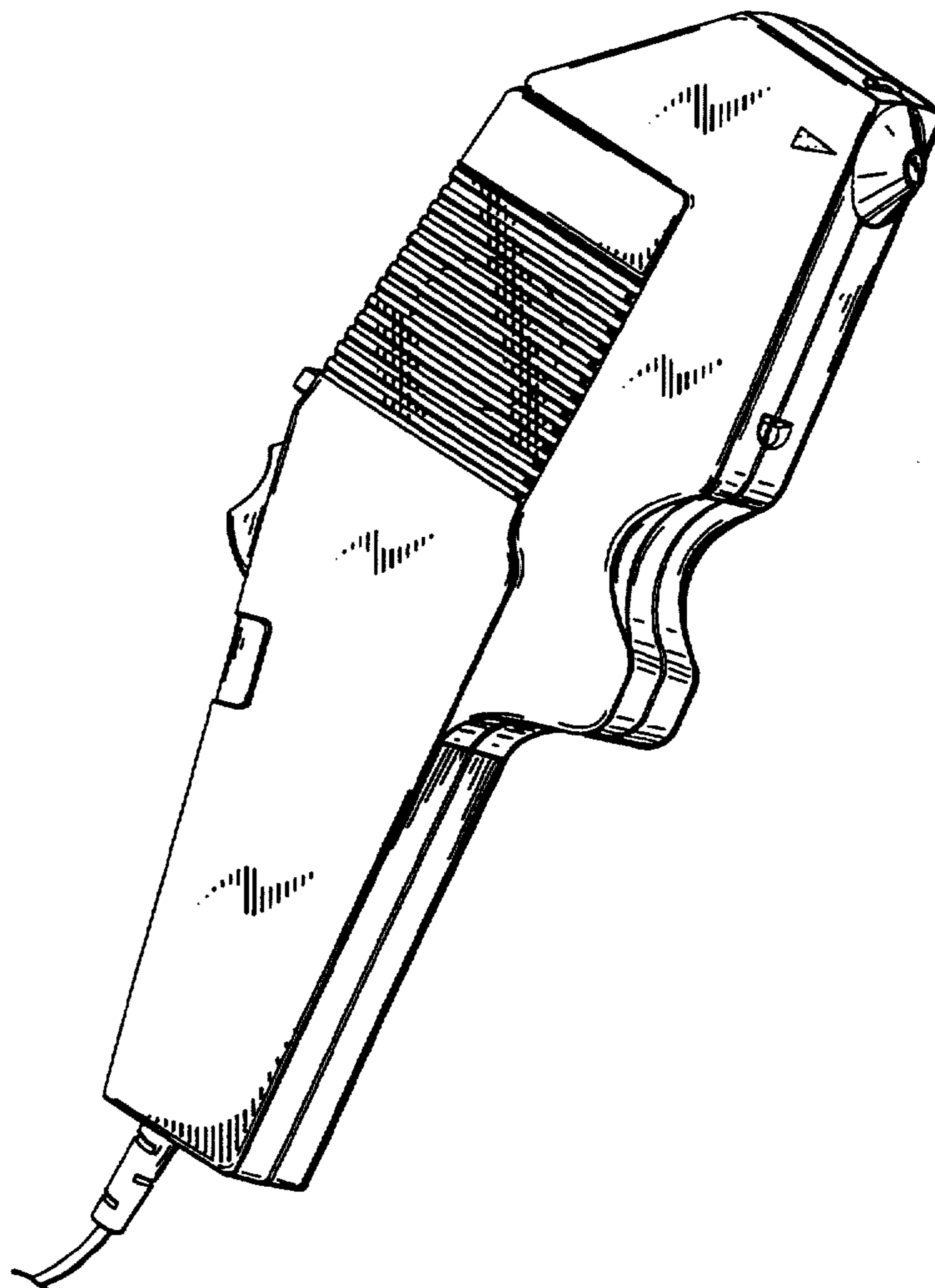
Primary Examiner—Bernard Ansher
Assistant Examiner—Sandra Morris
Attorney, Agent, or Firm—Jones & Askew

[57] **CLAIM**

The ornamental design for a dictation microphone with bar code reader, as shown.

DESCRIPTION

FIG. 1 is a perspective view of my new dictation microphone with bar code reader;
FIG. 2 is a left side elevational view thereof;
FIG. 3 is a right side elevational view thereof;
FIG. 4 is a front elevational view thereof;
FIG. 5 is a rear elevational view thereof;
FIG. 6 is a top plan view thereof; and,
FIG. 7 is a bottom plan view thereof.



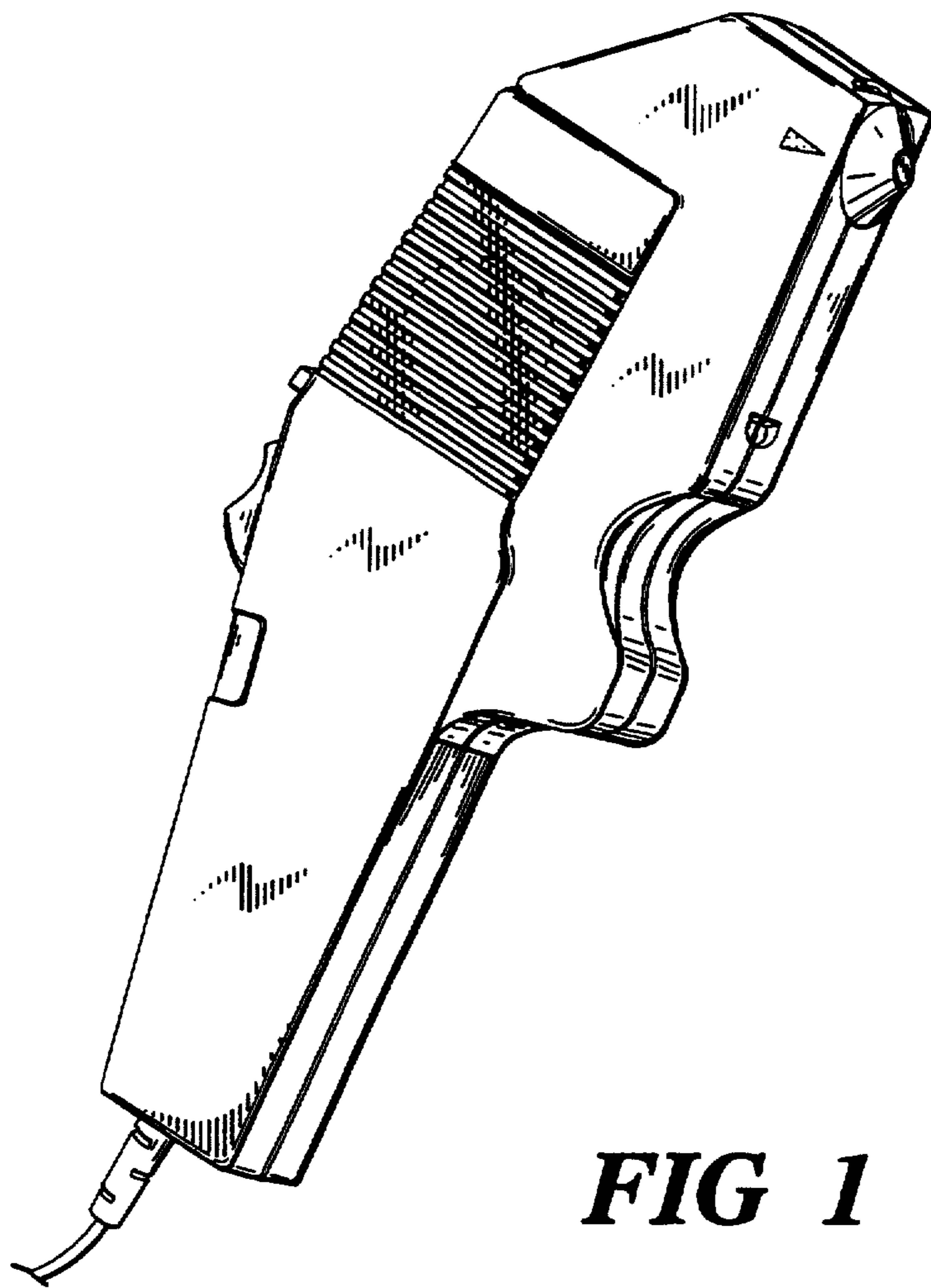


FIG 1

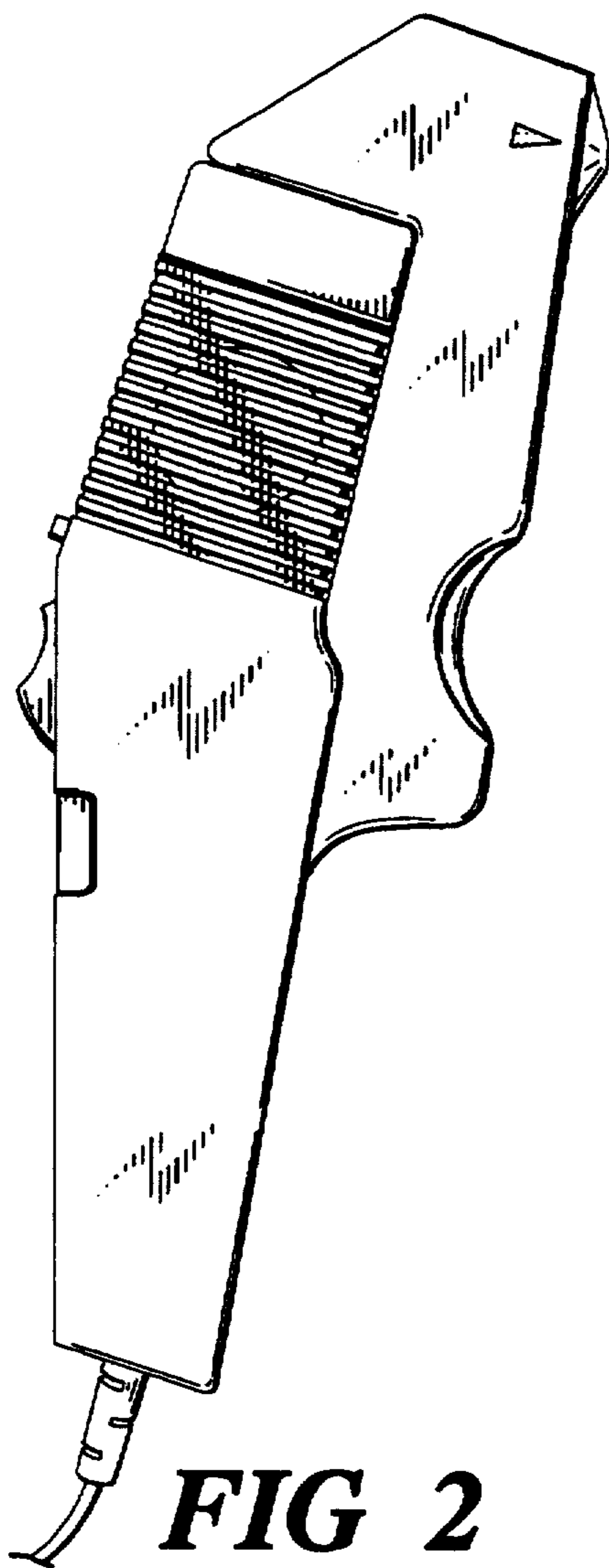


FIG 2

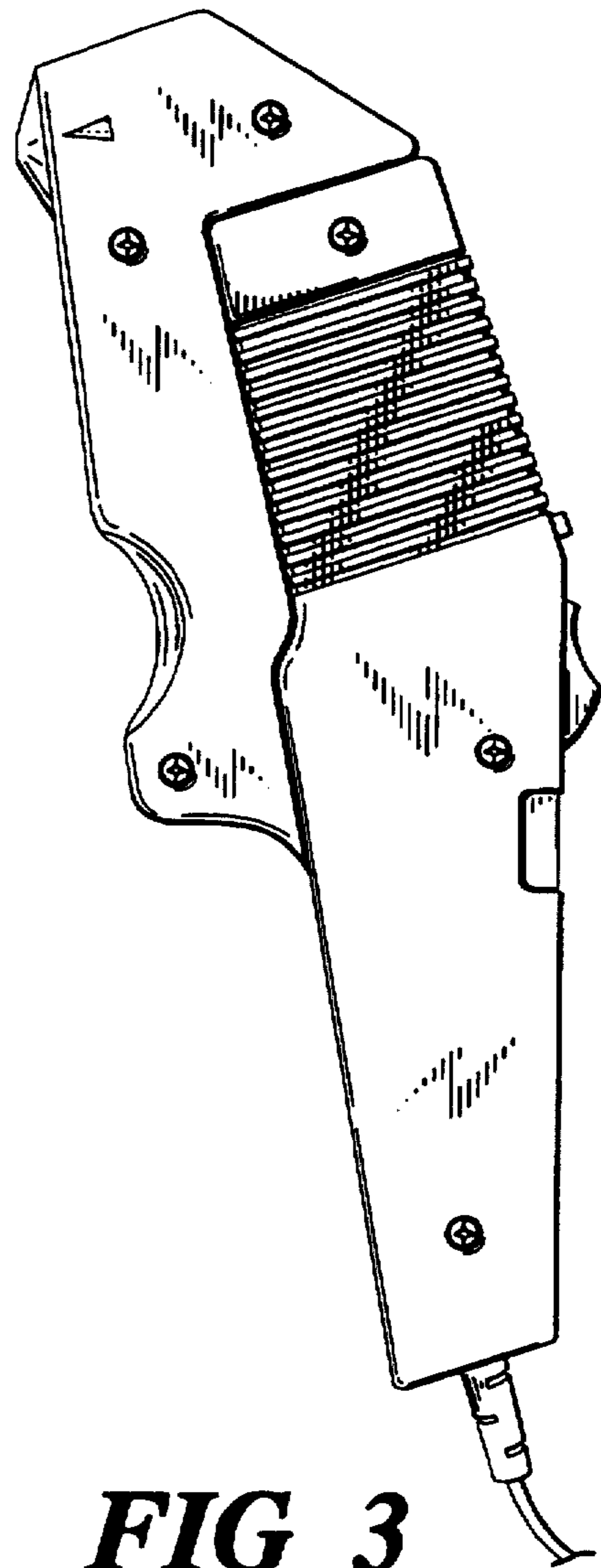


FIG 3

FIG 4

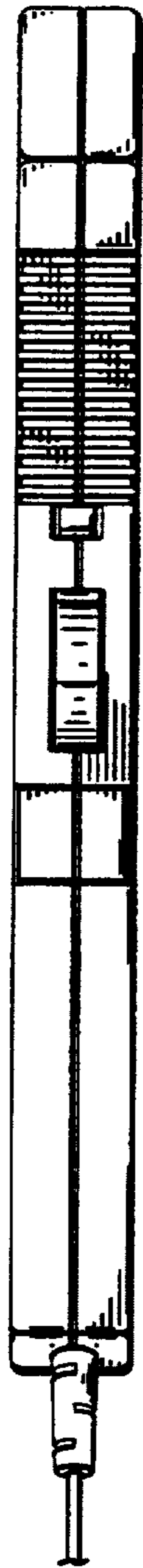


FIG 5

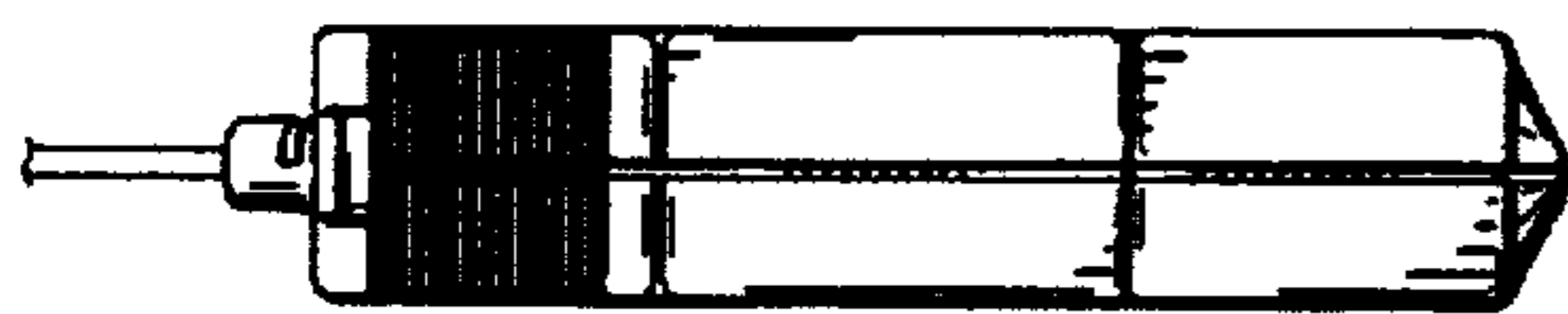


FIG 6

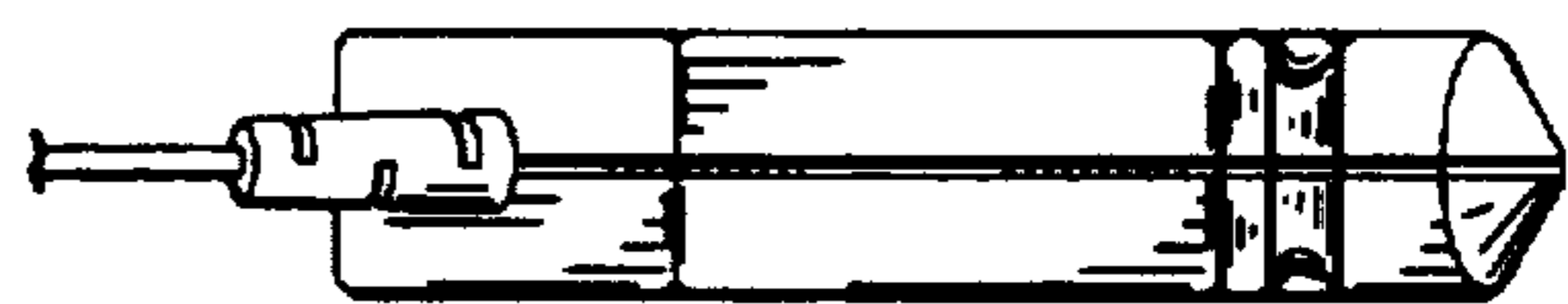


FIG 7