



US00D351389S

United States Patent [19]

[11] Patent Number: **Des. 351,389**

Vananderoye

[45] Date of Patent: **** Oct. 11, 1994**

[54] **INFRA-RED LANGUAGE DISTRIBUTION RECEIVER**

[56] **References Cited**

[75] Inventor: **Dirk J. N. Vananderoye**, Eindhoven, Netherlands

U.S. PATENT DOCUMENTS

- D. 167,828 9/1952 Florac D14/137 X
- D. 227,782 7/1973 Hazell et al. D14/248
- D. 279,004 5/1985 Ryan D14/248
- D. 304,939 12/1989 Sutoh 379/433 X
- D. 314,764 2/1991 Rondel D14/124
- D. 316,412 4/1991 Vannoy D14/158

[73] Assignee: **U.S. Philips Corporation**, New York, N.Y.

Primary Examiner—Bernard Ansher
Assistant Examiner—Richelle Shelton
Attorney, Agent, or Firm—Jack E. Haken

[**] Term: **14 Years**

[57] CLAIM

[21] Appl. No.: **868,379**

The ornamental design for an infra-red language distribution receiver, as shown.

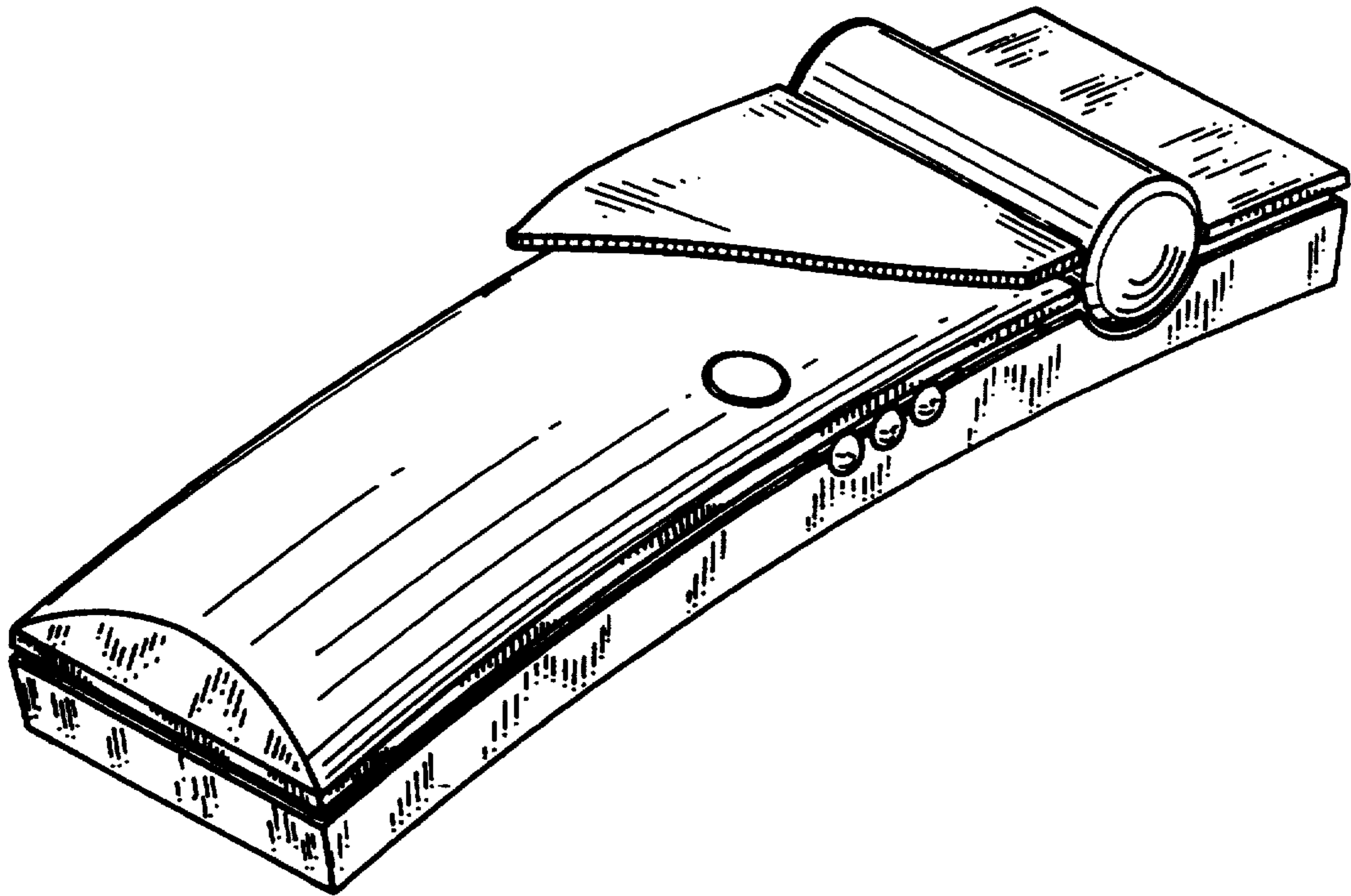
[22] Filed: **Apr. 6, 1992**

DESCRIPTION

[30] Foreign Application Priority Data

FIG. 1 is a front, top, right side perspective view showing my new design;
FIG. 2 is a right side elevational view thereof;
FIG. 3 is a left side elevational view thereof;
FIG. 4 is a front elevational view thereof;
FIG. 5 is a rear elevational view thereof;
FIG. 6 is a top plan view thereof; and,
FIG. 7 is a bottom plan view thereof.

- Nov. 21, 1991 [WO] PCT Int'l Appl. DM/021.191
- [52] U.S. Cl. **D14/217**
- [58] Field of Search 379/432, 433; 434/319, 434/320, 321; 455/89, 90, 347; D14/124, 137, 142, 143, 158, 217, 299, 248



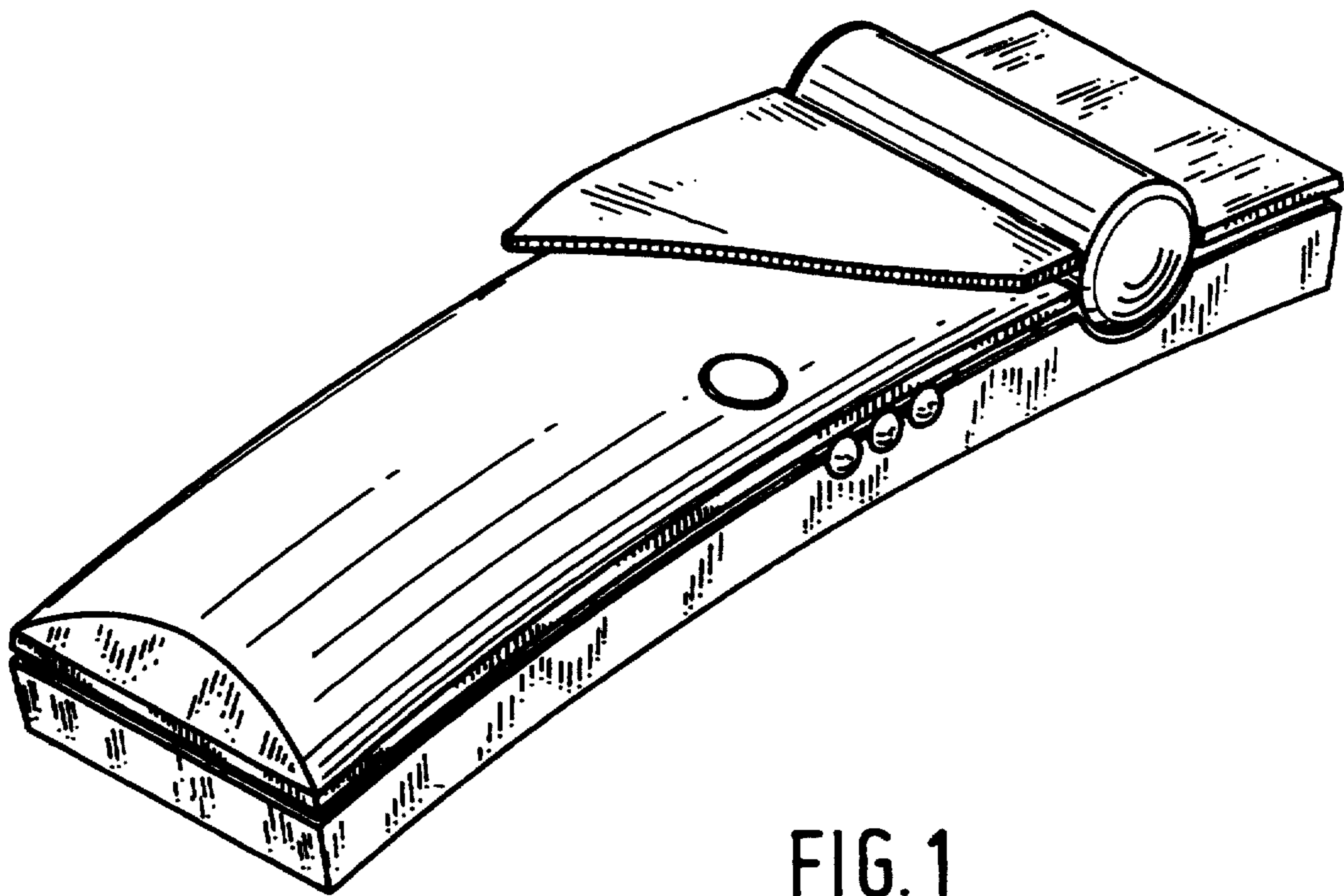


FIG. 1



FIG. 2

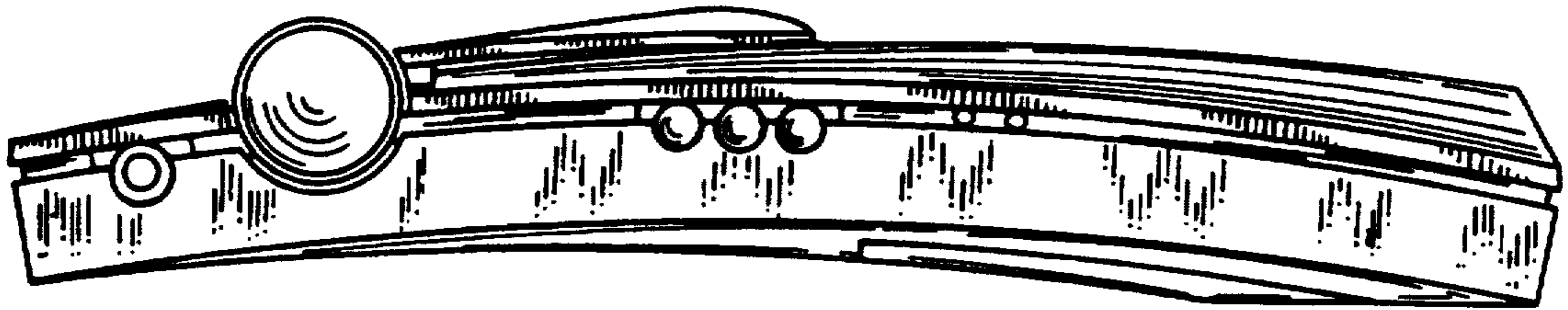


FIG. 3

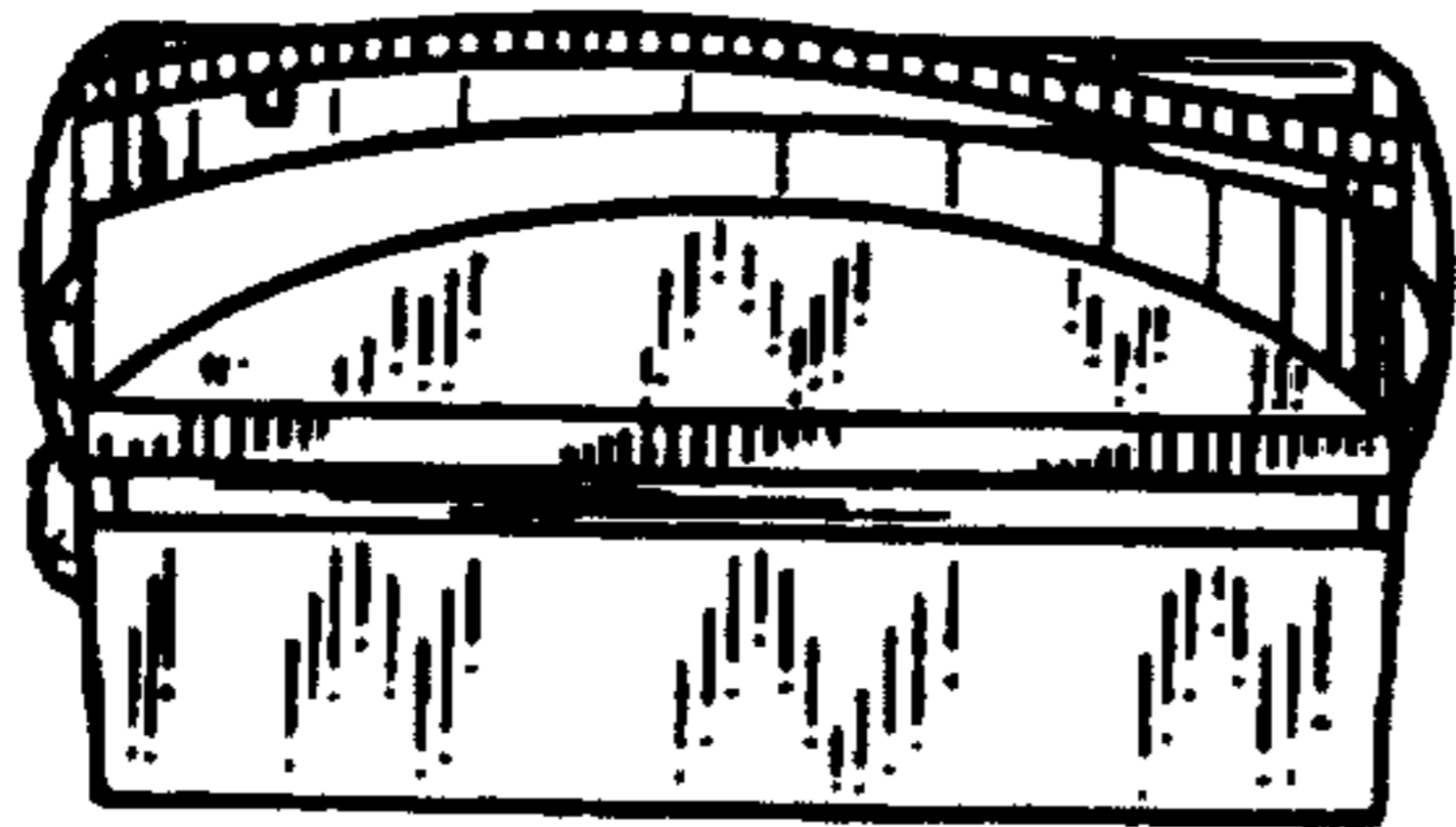


FIG. 4

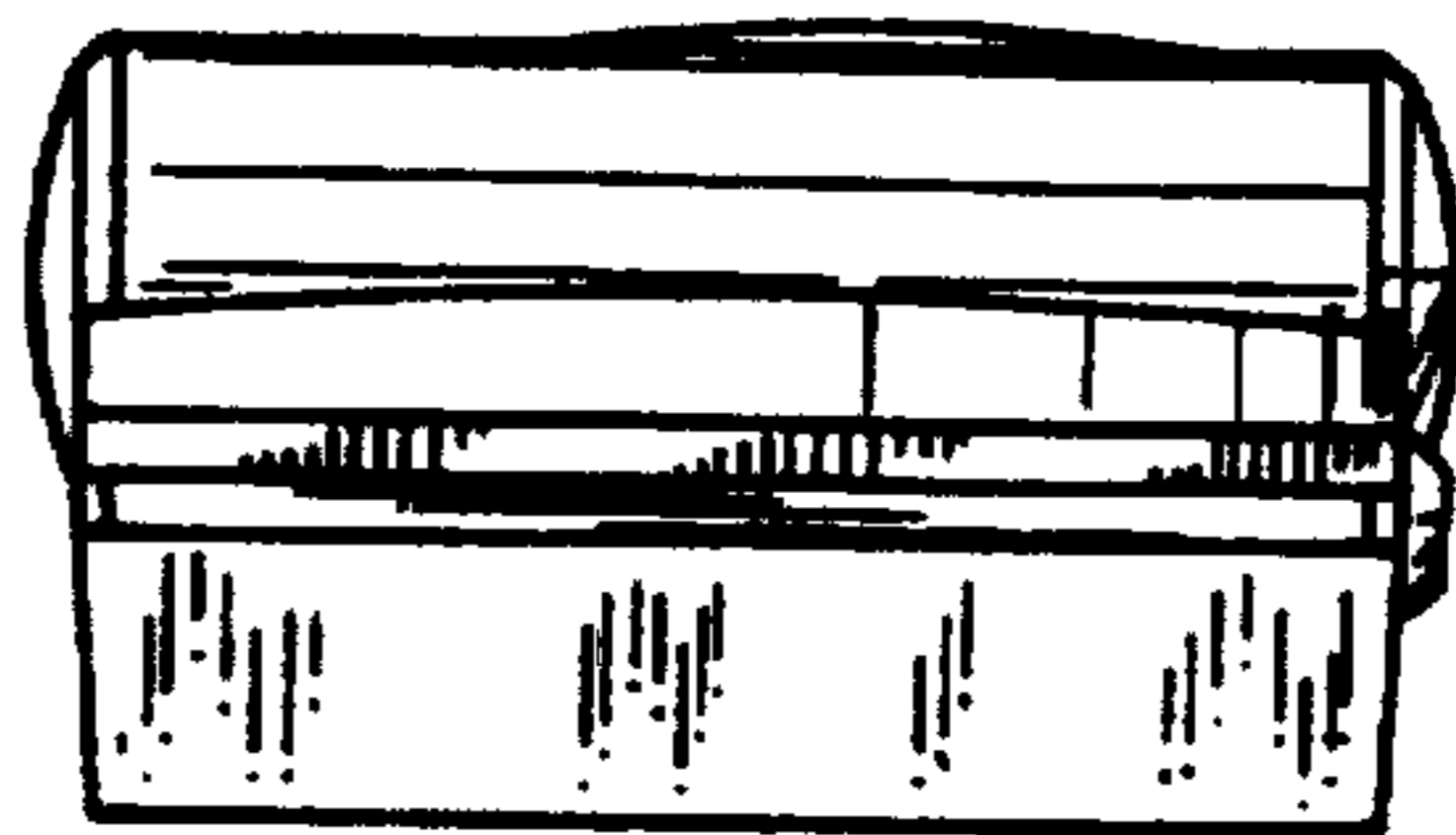


FIG. 5

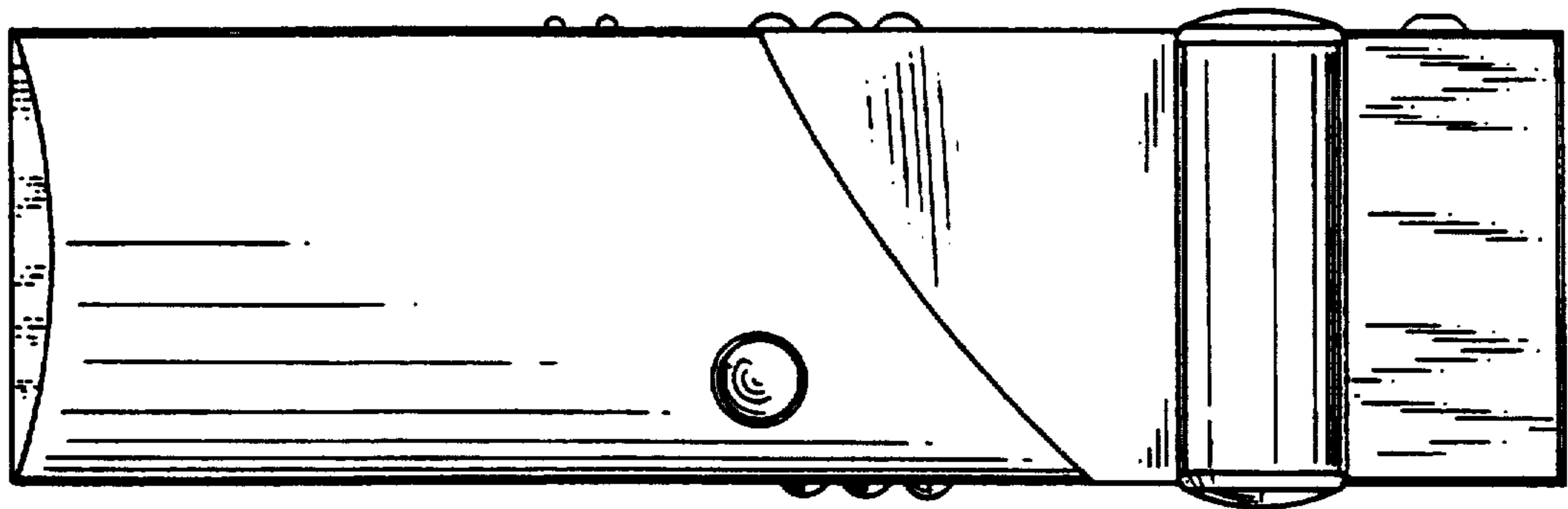


FIG. 6

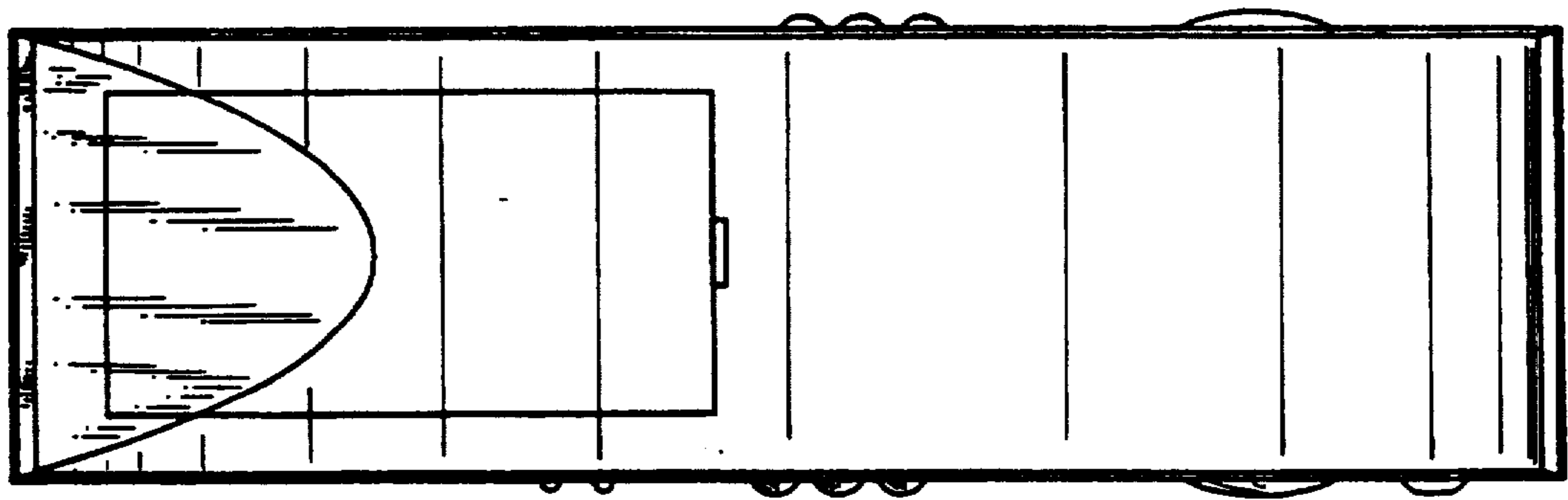


FIG. 7