



US00D351384S

United States Patent [19]
Pena Angarita

[11] **Patent Number: Des. 351,384**
[45] **Date of Patent: ** Oct. 11, 1994**

[54] **COMBINED PORTABLE TELEPHONE WITH CHARGING UNIT**

[75] **Inventor:** Oscar E. Pena Angarita, Groningen, Netherlands
[73] **Assignee:** U.S. Philips Corporation, New York, N.Y.
[**] **Term:** 14 Years
[21] **Appl. No.:** 11,111
[22] **Filed:** Jul. 27, 1993

[30] **Foreign Application Priority Data**

Feb. 11, 1993 [WO] World Int. Prop. O. ... DM/025.199
[52] **U.S. Cl.** D14/149; D14/138
[58] **Field of Search** 379/58-61, 379/433, 436, 419, 420, 428, 440; D14/137, 138, 140, 142, 149-151, 240, 241, 248; D13/108

[56] **References Cited**

U.S. PATENT DOCUMENTS

D. 302,689 8/1989 Murakami et al. D14/138
D. 327,060 6/1992 Wachob et al. D14/147 X
D. 335,289 5/1993 Roegner D14/138
D. 335,494 5/1993 Roegner D14/138

OTHER PUBLICATIONS

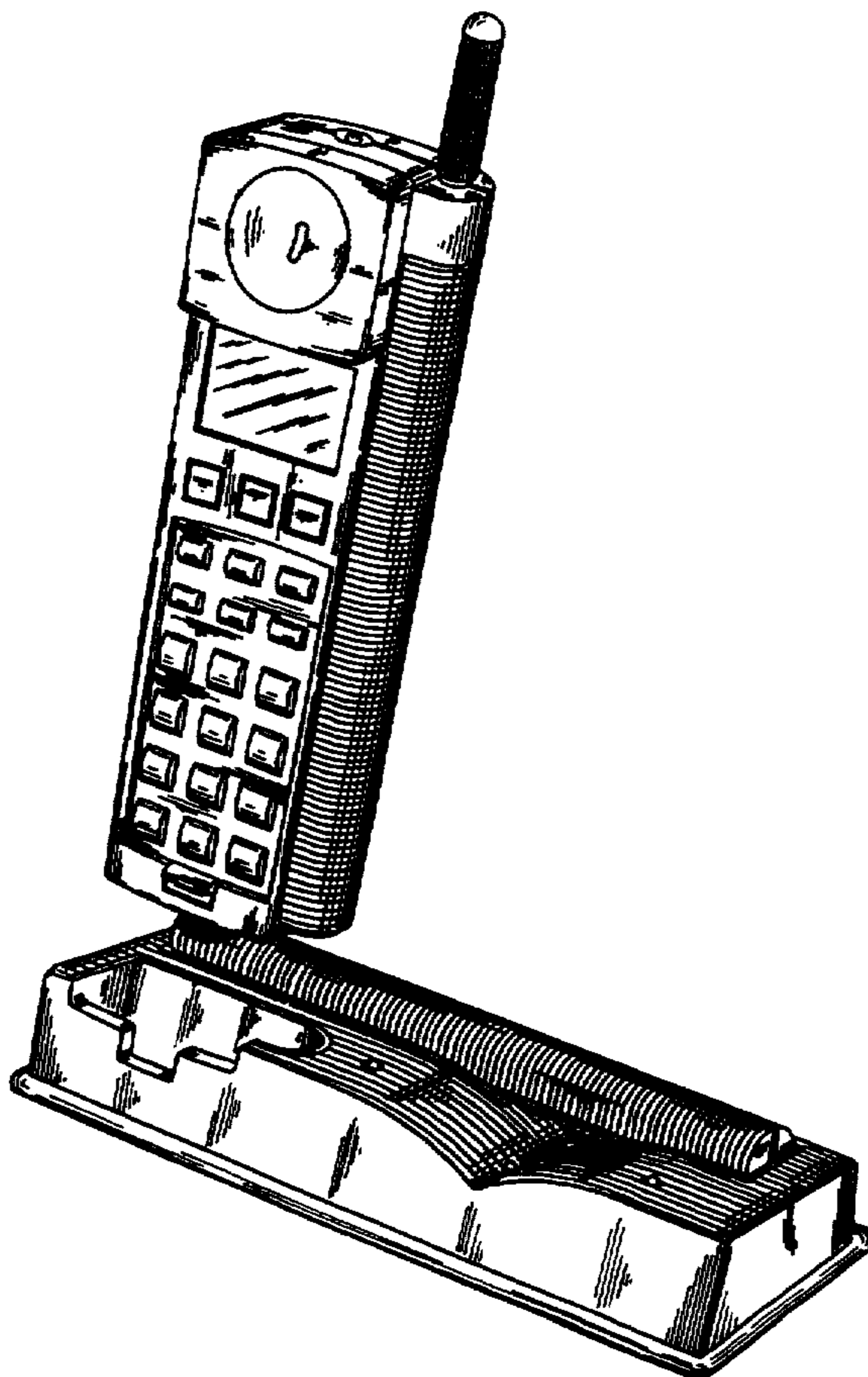
Spiegel Catalog p. 504 Sony cordless phone at bottom right.
Nokia Mobira ad., at center bottom.
Nokia Mobira ad., at center bottom.
Primary Examiner—Alan P. Douglas
Assistant Examiner—Jeffrey Asch
Attorney, Agent, or Firm—Jack E. Haken

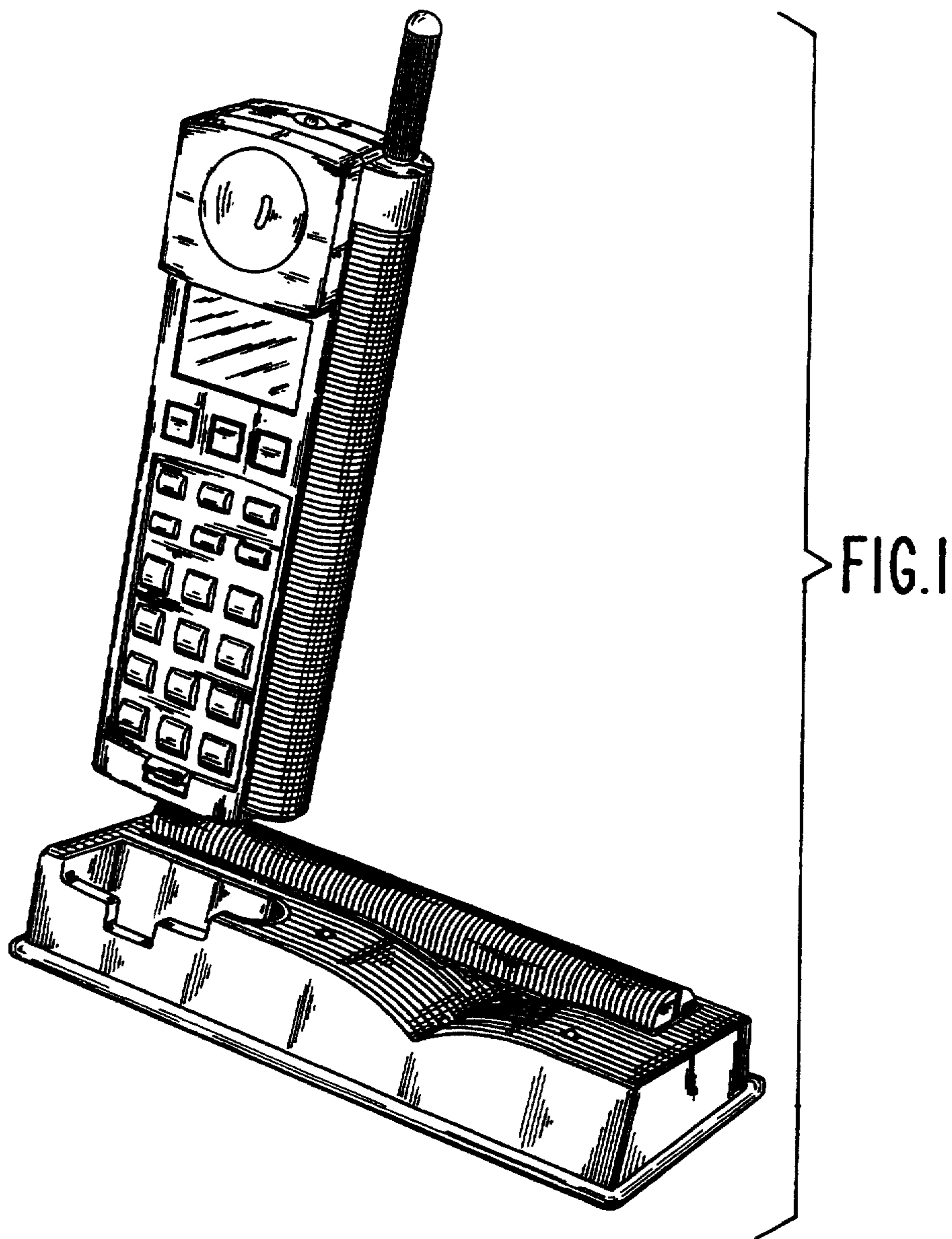
[57] **CLAIM**

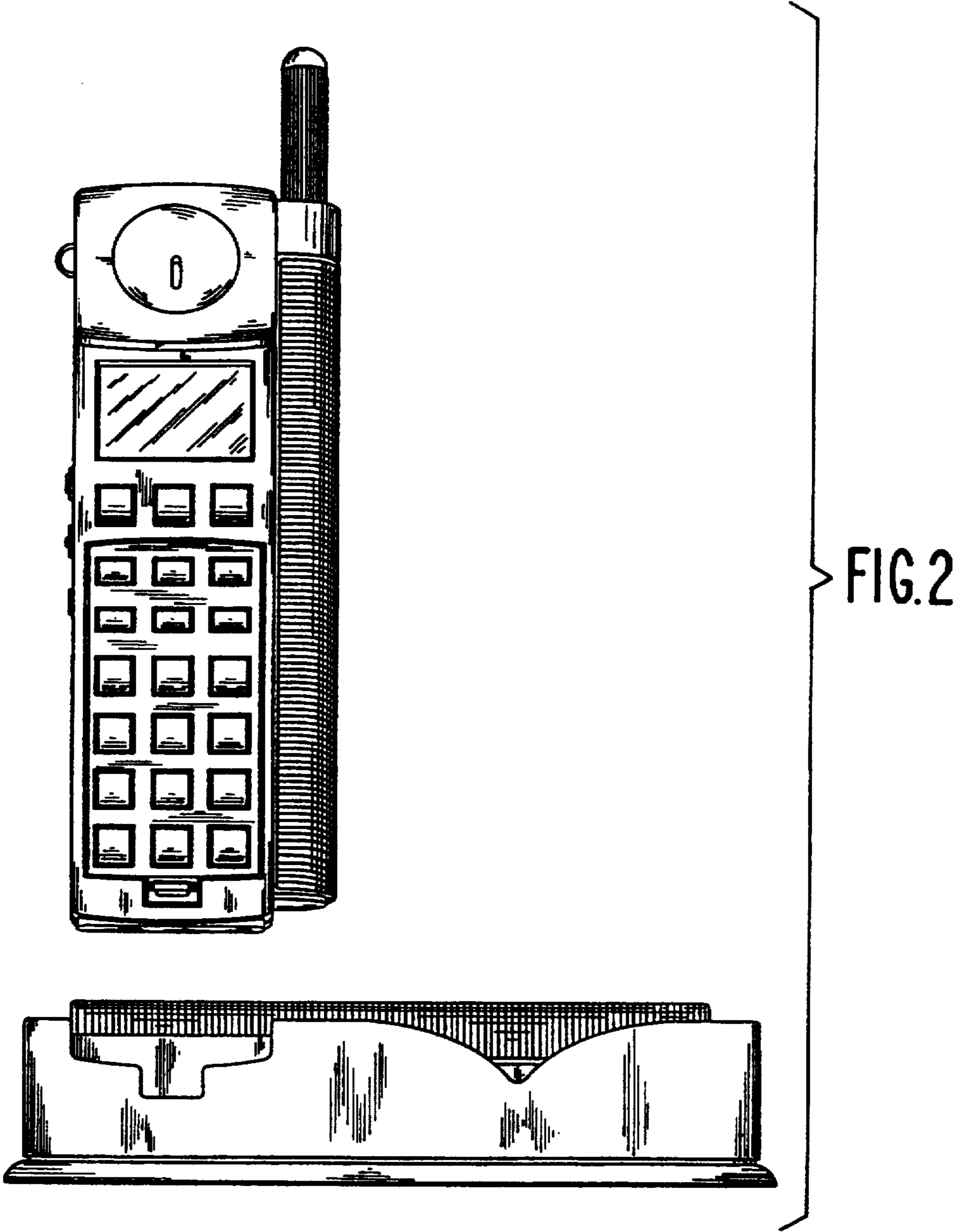
The ornamental design for a combined portable telephone with charging unit, as shown and described.

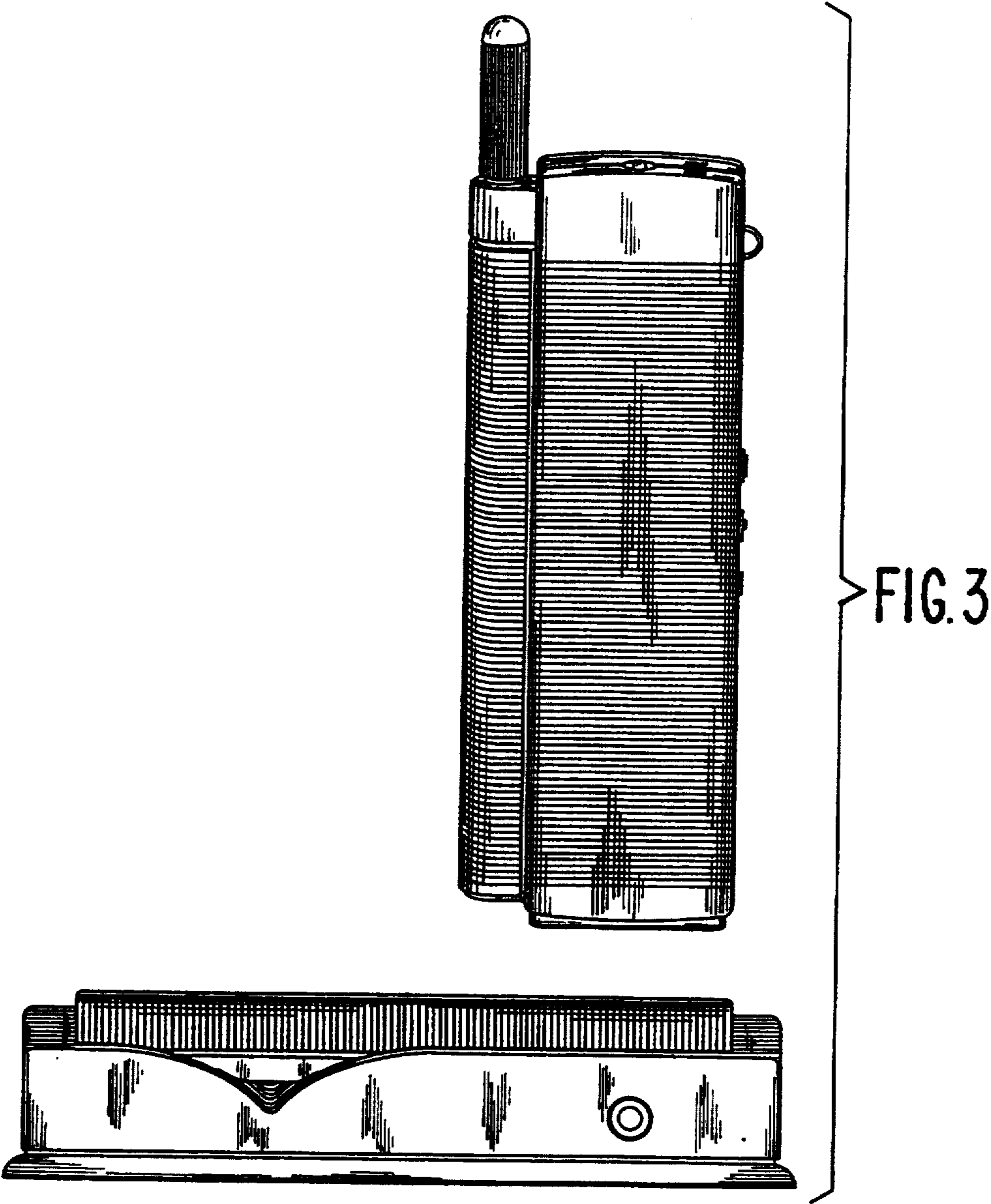
DESCRIPTION

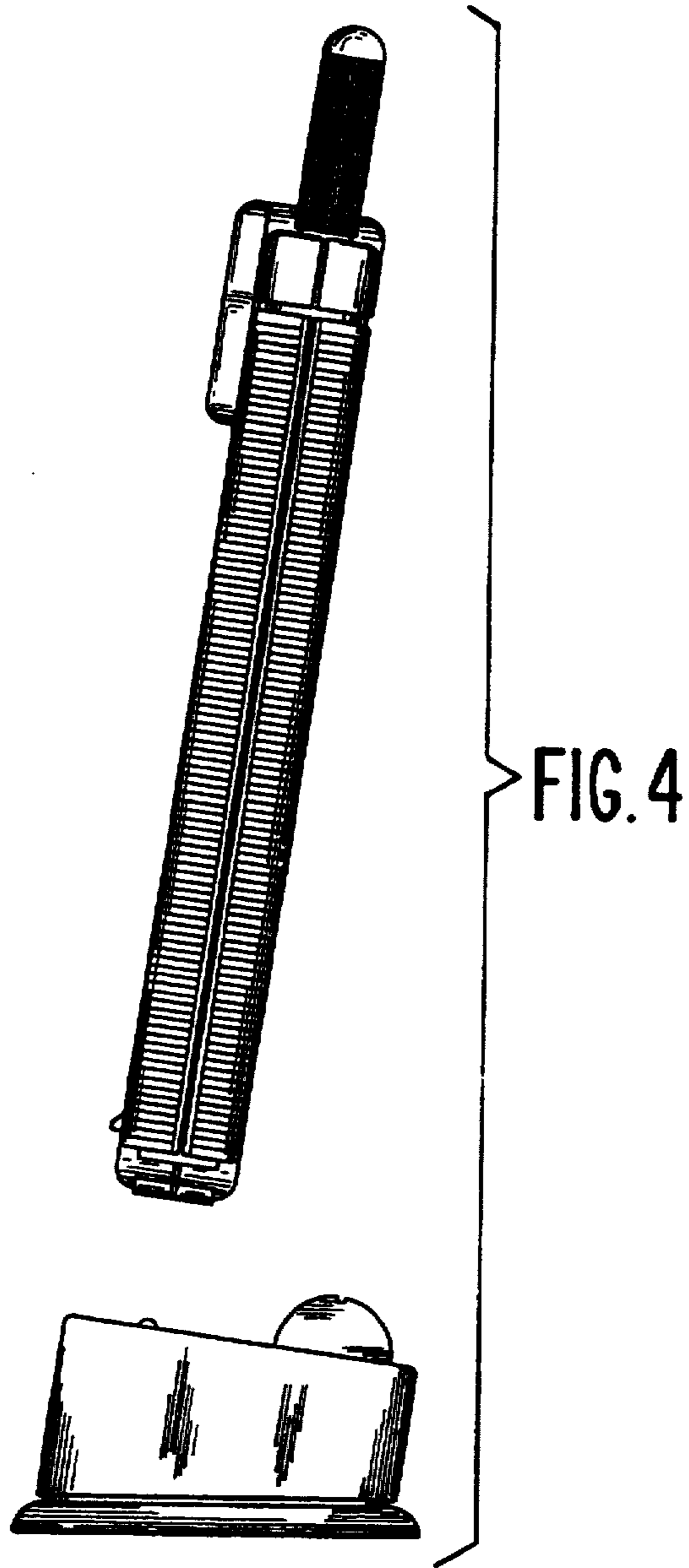
FIG. 1 is a front, right side, perspective view showing our new design in which the portable telephone is separated from the charging unit;
FIG. 2 is a front elevational view thereof;
FIG. 3 is a rear elevational view thereof;
FIG. 4 is a right side elevational view thereof;
FIG. 5 is a left side elevational view thereof;
FIG. 6 is a top plan view thereof;
FIG. 7 is a bottom plan view thereof; and,
FIG. 8 is a front, right side, perspective view showing our new design in which the portable telephone is integrated with the charging unit.

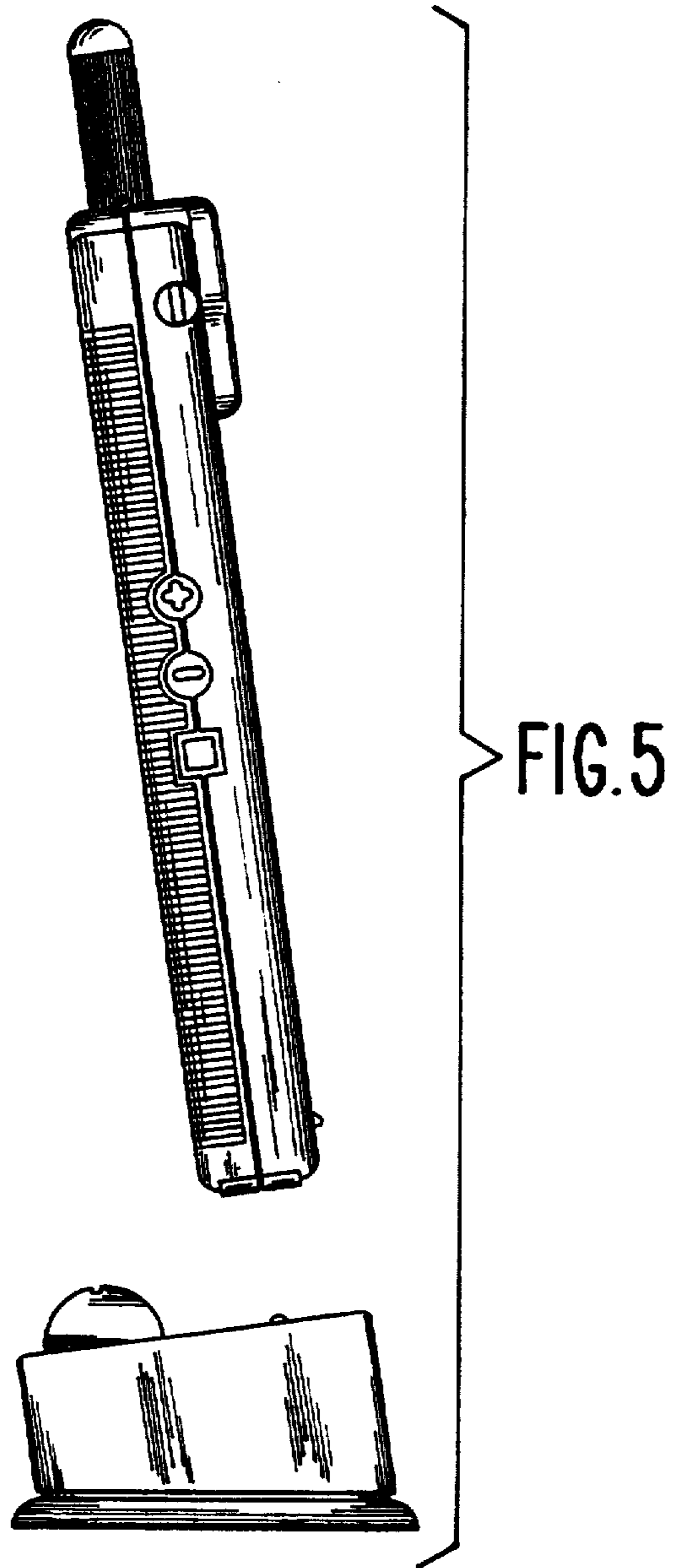












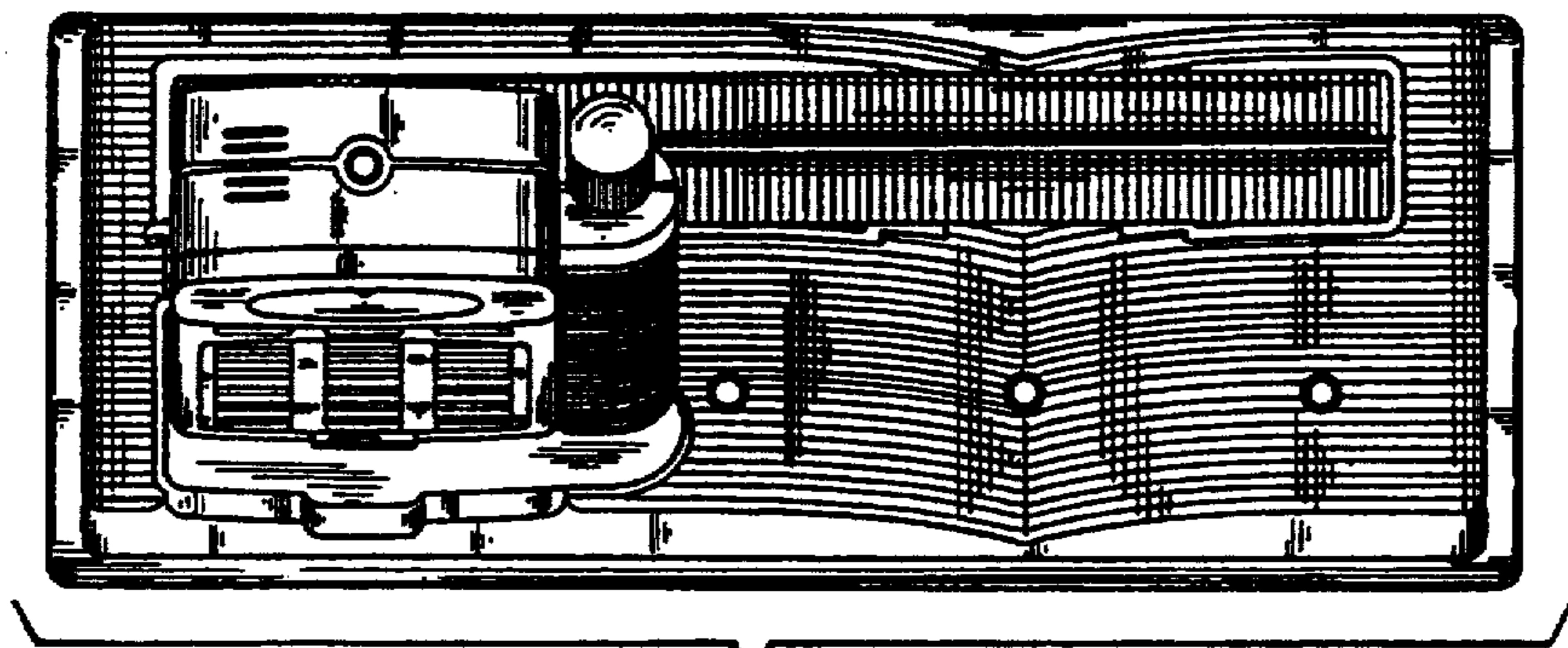


FIG. 6

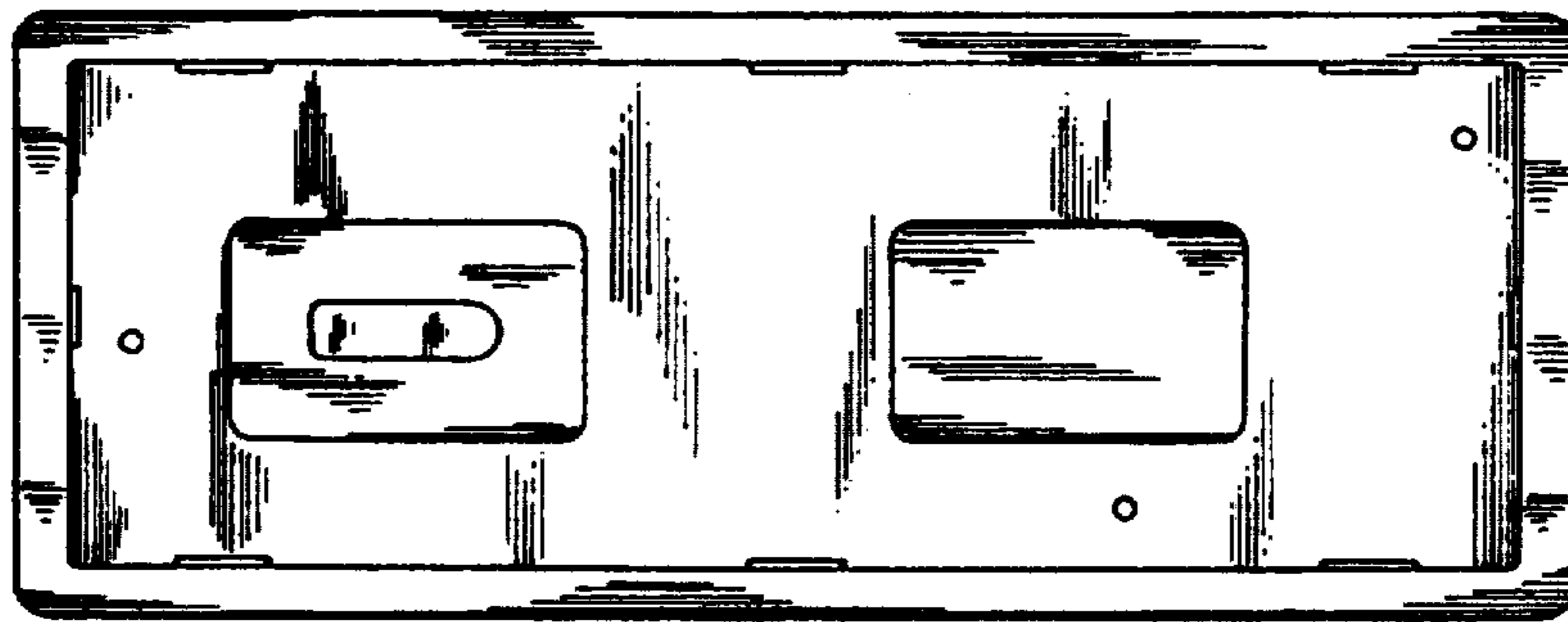


FIG. 7

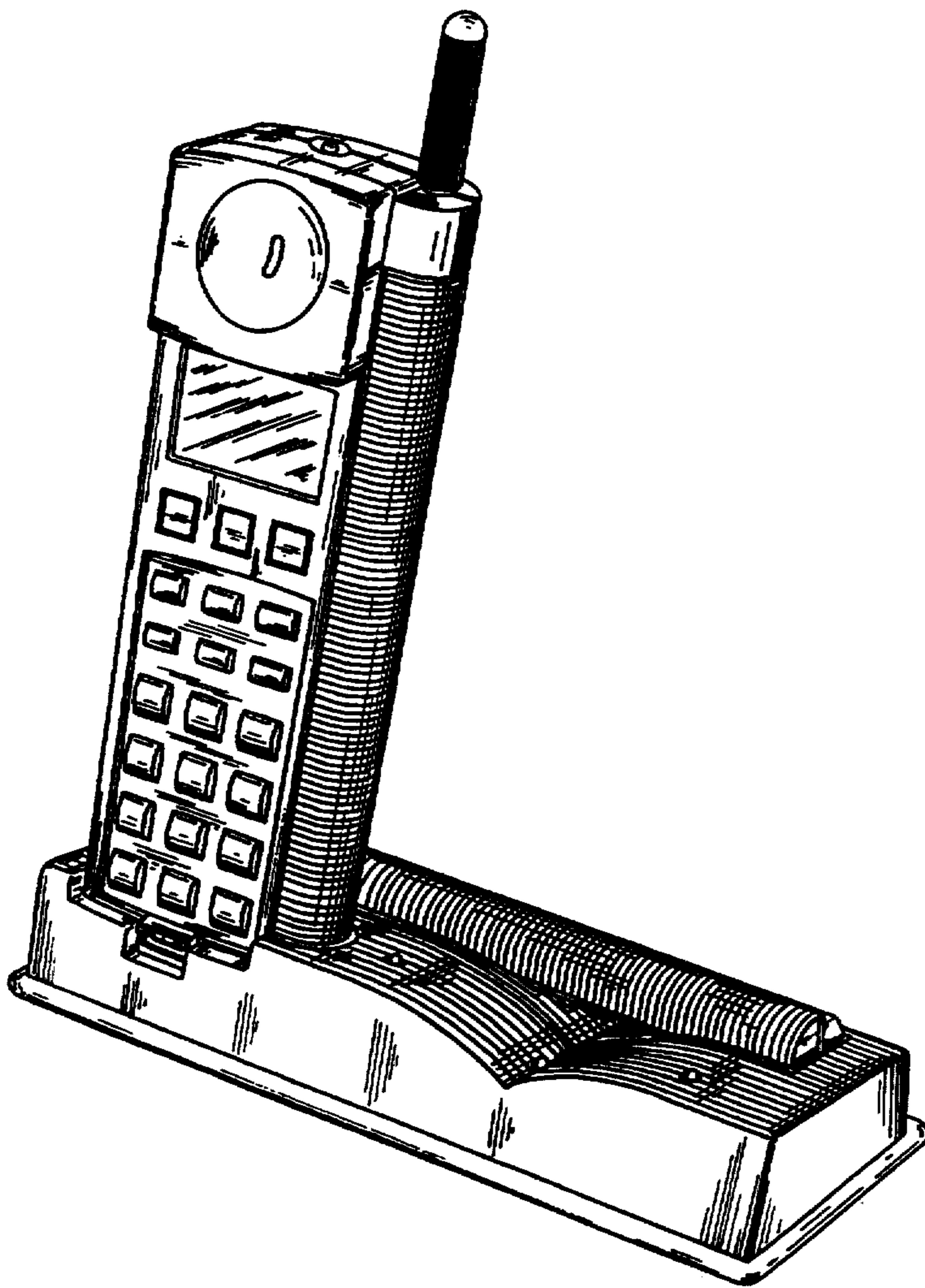


FIG. 8