



US00D351380S

United States Patent [19] Suzuki

[11] Patent Number: **Des. 351,380**

[45] Date of Patent: **** Oct. 11, 1994**

- [54] **MAGNETIC TAPE CASSETTE**
- [75] Inventor: **Masaki Suzuki, Tokyo, Japan**
- [73] Assignee: **Sony Corporation, Tokyo, Japan**
- [**] Term: **14 Years**
- [21] Appl. No.: **14,438**
- [22] Filed: **Oct. 21, 1993**
- [30] **Foreign Application Priority Data**
 Apr. 22, 1993 [JP] Japan 5-11927
- [52] U.S. Cl. **D14/121**
- [58] Field of Search 360/132; 242/55, 19 A,
 242/71.8, 197-200; 273/DIG. 28;
 D14/120-123, 299
- [56] **References Cited**
U.S. PATENT DOCUMENTS
 D. 272,062 1/1984 Shibata et al. D14/121

- D. 291,799 9/1987 Marshall et al. D14/121
- D. 303,381 9/1989 Shimazaki D14/121
- D. 331,926 12/1992 Urano et al. D14/121
- 5,107,386 5/1992 Hashizume et al. 360/132

Primary Examiner—Theodore M. Shooman
Attorney, Agent, or Firm—Lewis H. Eslinger; Jay H. Maioli

[57] **CLAIM**

The ornamental design for a magnetic tape cassette, as shown and described.

DESCRIPTION

FIG. 1 is a top, front and left-side perspective view of a magnetic tape cassette, showing my new design; FIG. 2 is a front elevational view thereof; FIG. 3 is a rear elevational view thereof; FIG. 4 is a left-side elevational view thereof; FIG. 5 is a right-side elevational view thereof; FIG. 6 is a top plan view thereof; and, FIG. 7 is a bottom plan view thereof.

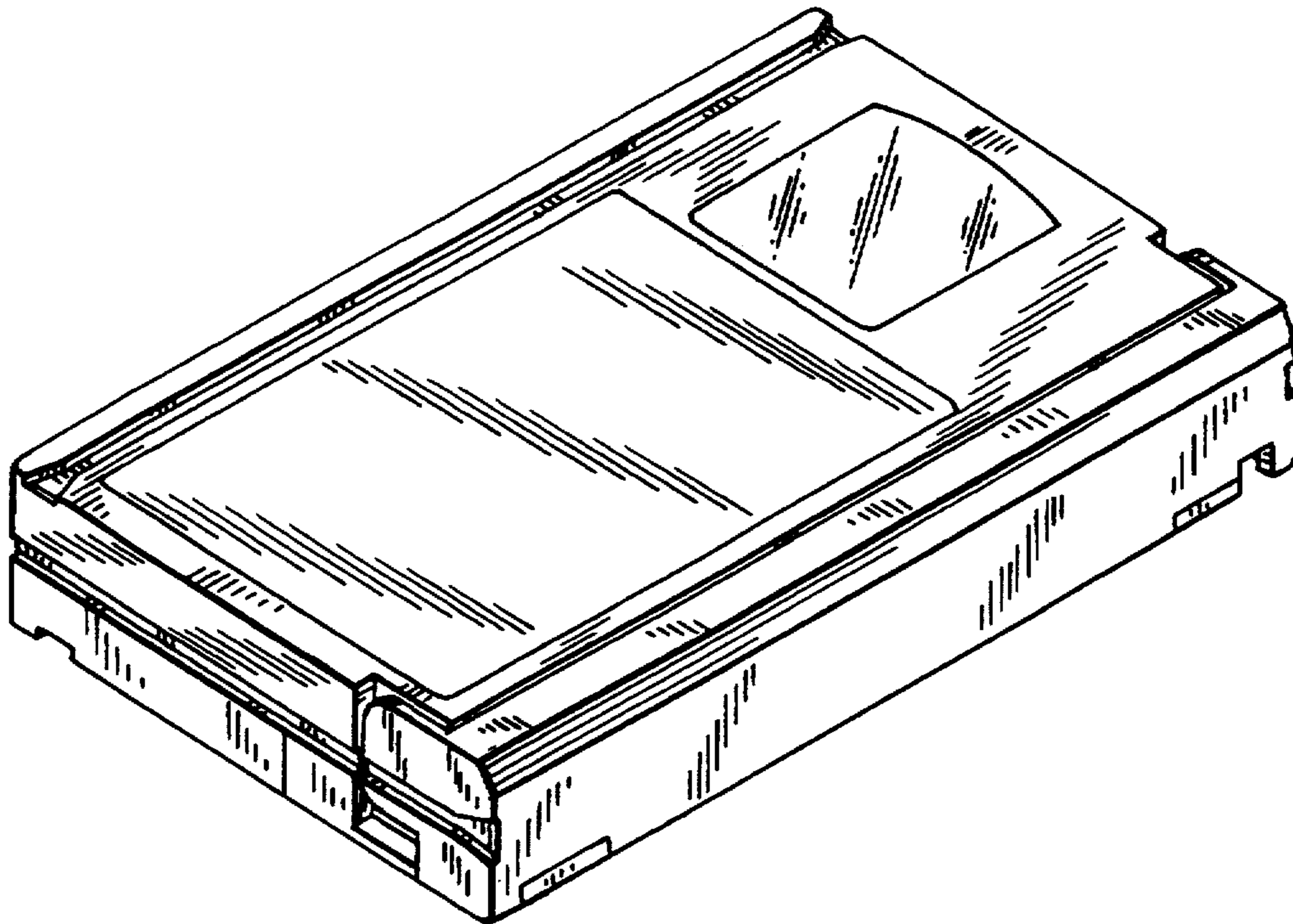


FIG. 1

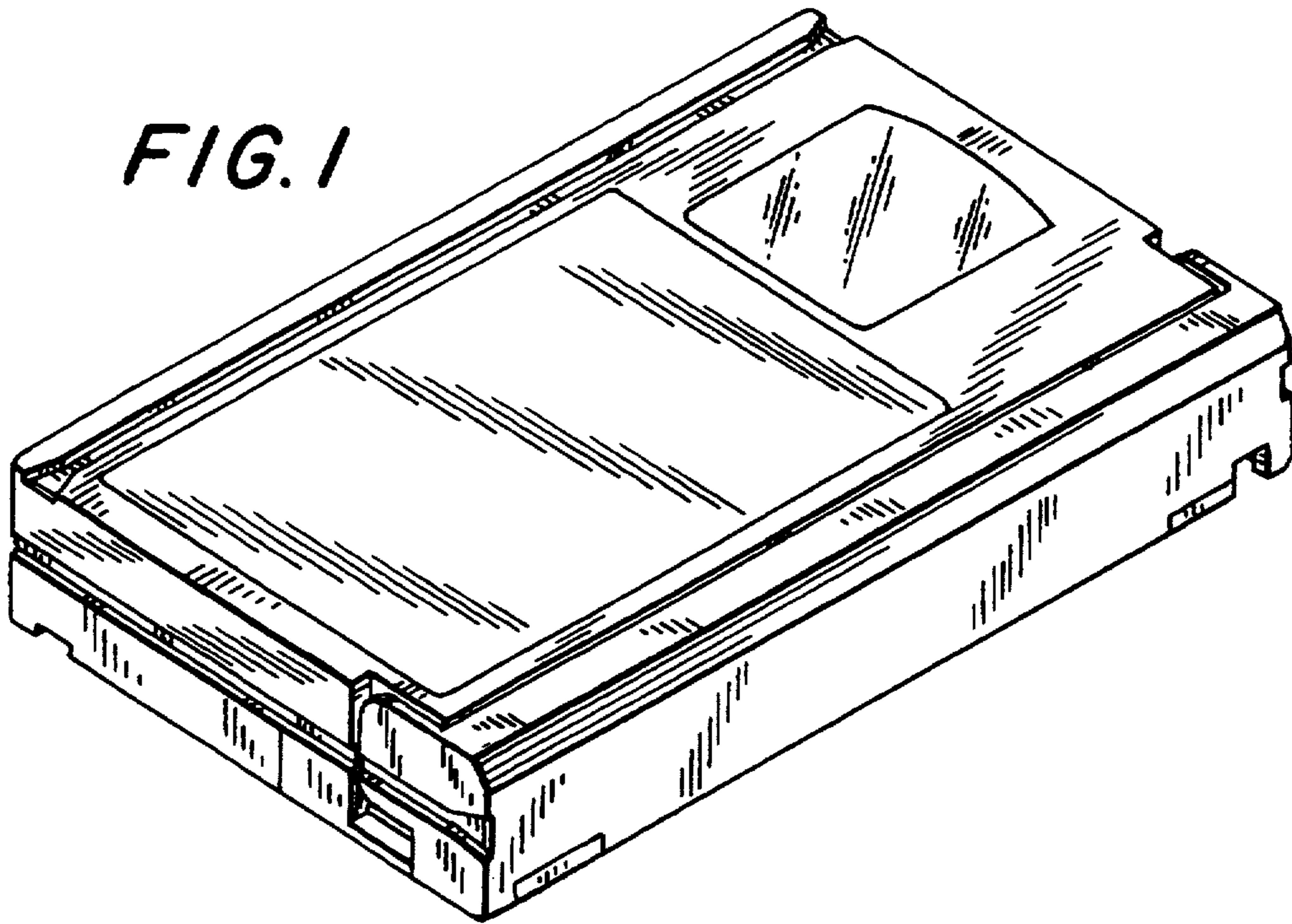


FIG. 2

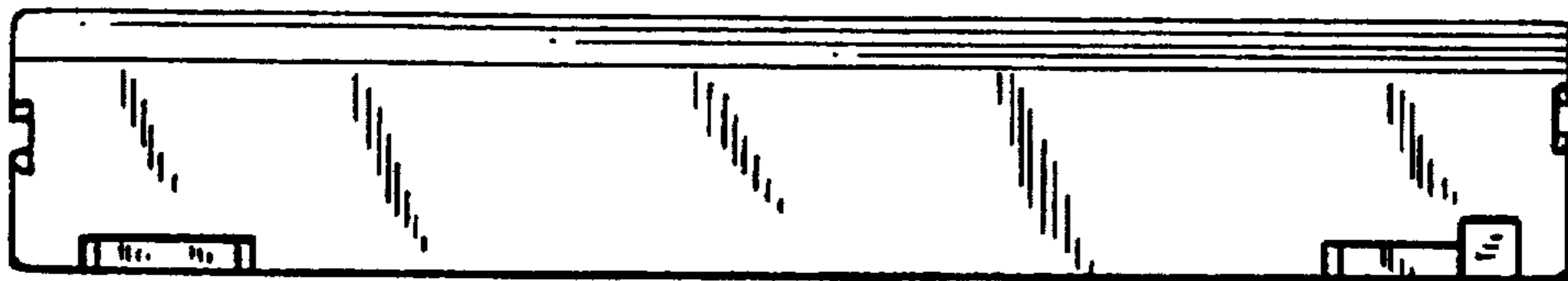


FIG. 3

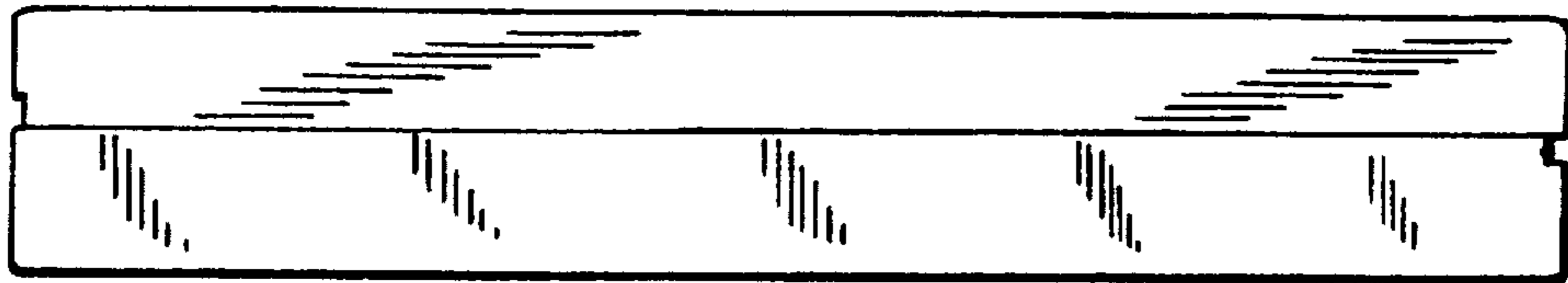


FIG. 4

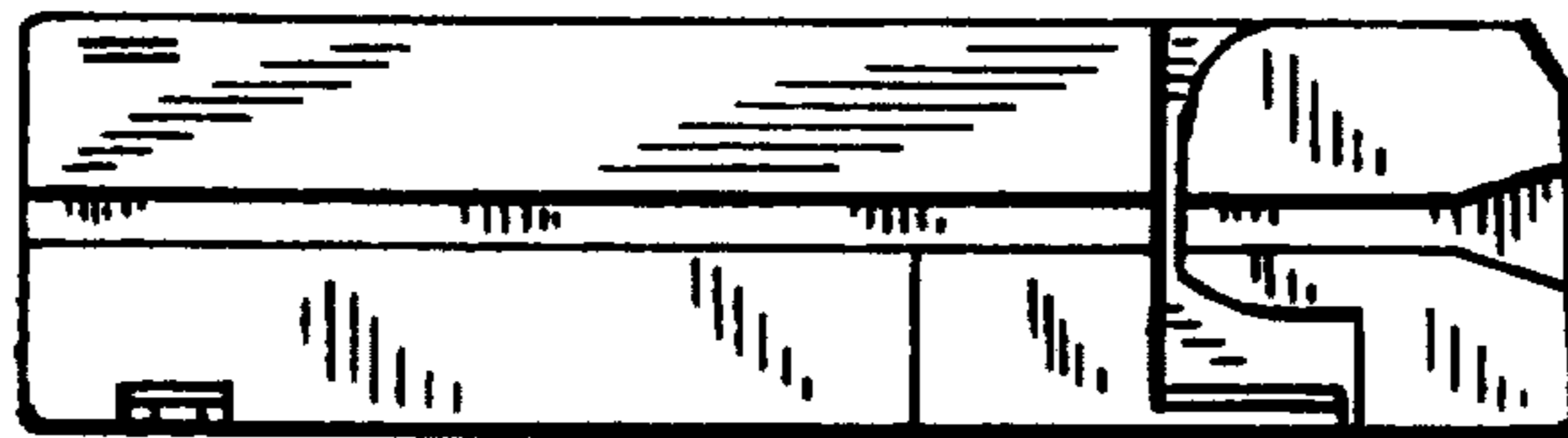
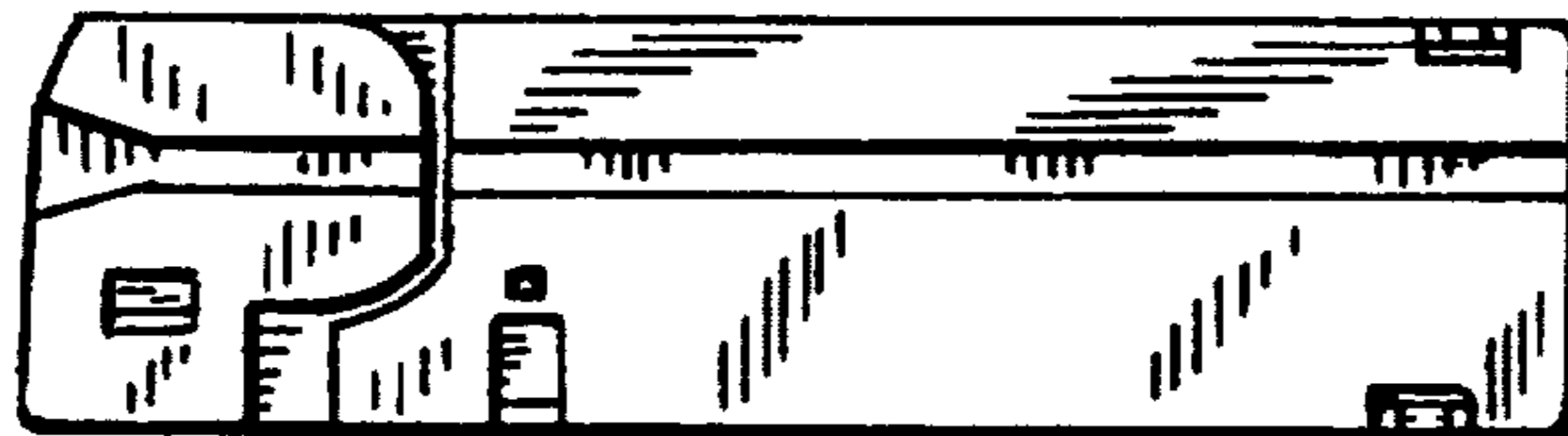


FIG. 5



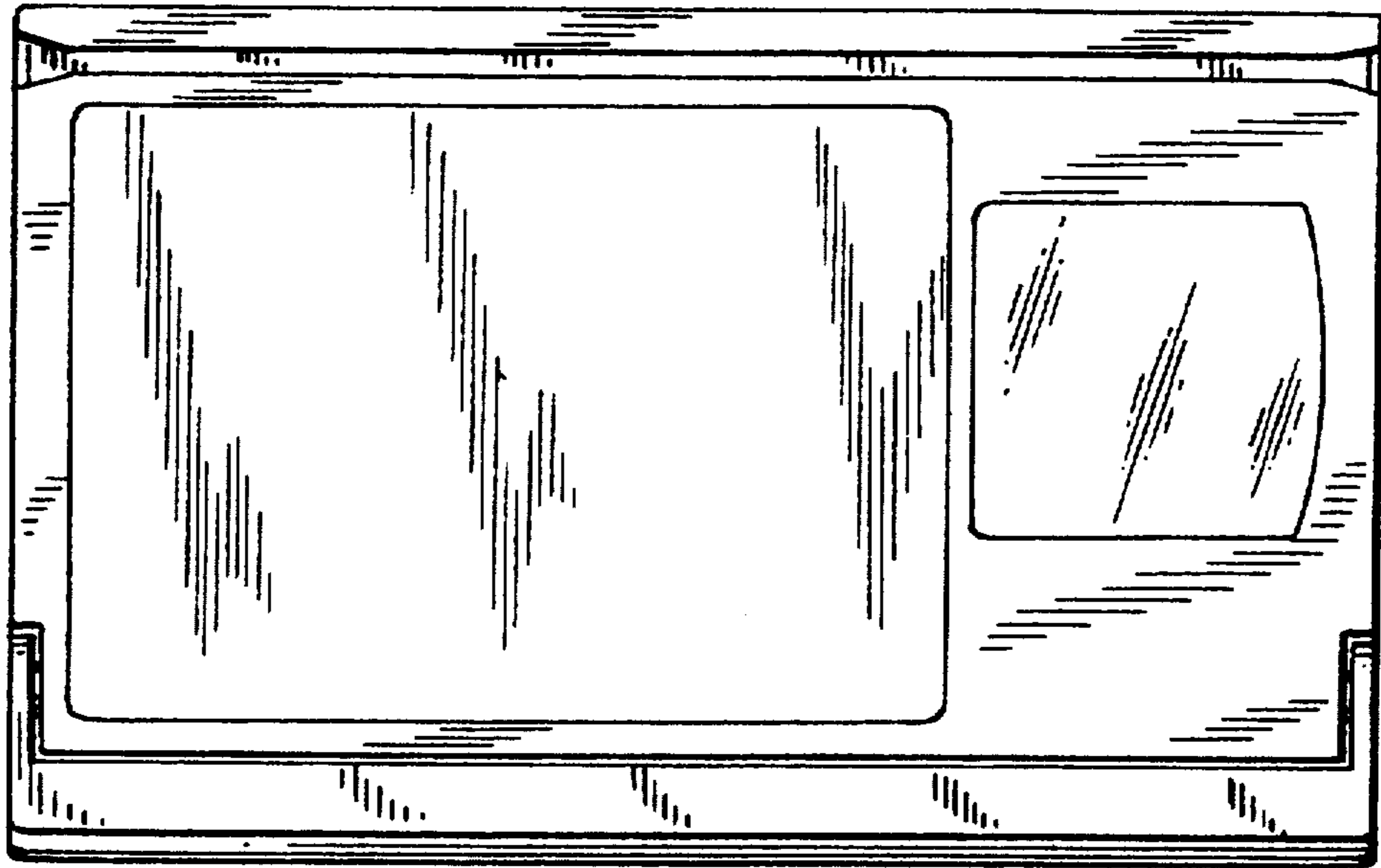


FIG. 6

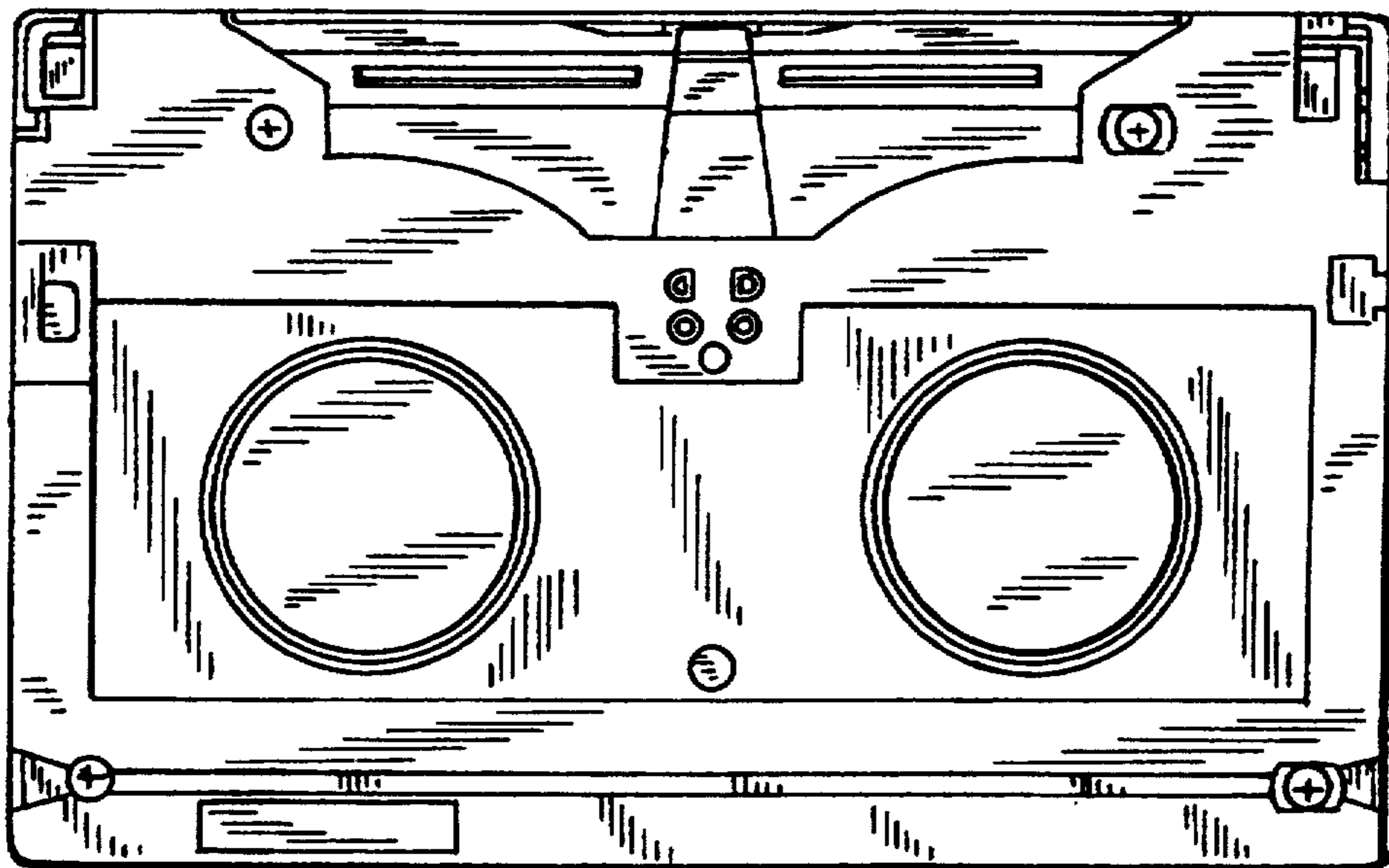


FIG. 7