



US00D351379S

United States Patent [19]
Suzuki

[11] **Patent Number: Des. 351,379**

[45] **Date of Patent: ** Oct. 11, 1994**

- [54] **MAGNETIC TAPE CASSETTE**
- [75] **Inventor: Masaki Suzuki, Tokyo, Japan**
- [73] **Assignee: Sony Corporation, Tokyo, Japan**
- [**] **Term: 14 Years**
- [21] **Appl. No.: 14,435**
- [22] **Filed: Oct. 21, 1993**
- [30] **Foreign Application Priority Data**
 - Apr. 22, 1993 [JP] Japan 5-11926
- [52] **U.S. Cl. D14/121**
- [58] **Field of Search 360/132; 242/55.19 A,
 242/71.8, 197-200; 273/DIG. 28;
 D14/120-123, 299**
- [56] **References Cited**
U.S. PATENT DOCUMENTS
 - D. 250,474 12/1978 Nishigaki D14/121

- D. 291,799 9/1987 Marshall et al. D14/121
- D. 330,895 11/1992 Isozaki D14/121
- 4,466,584 8/1984 Chevalier et al. 242/199
- 4,993,661 2/1991 Tollefson 242/199 X

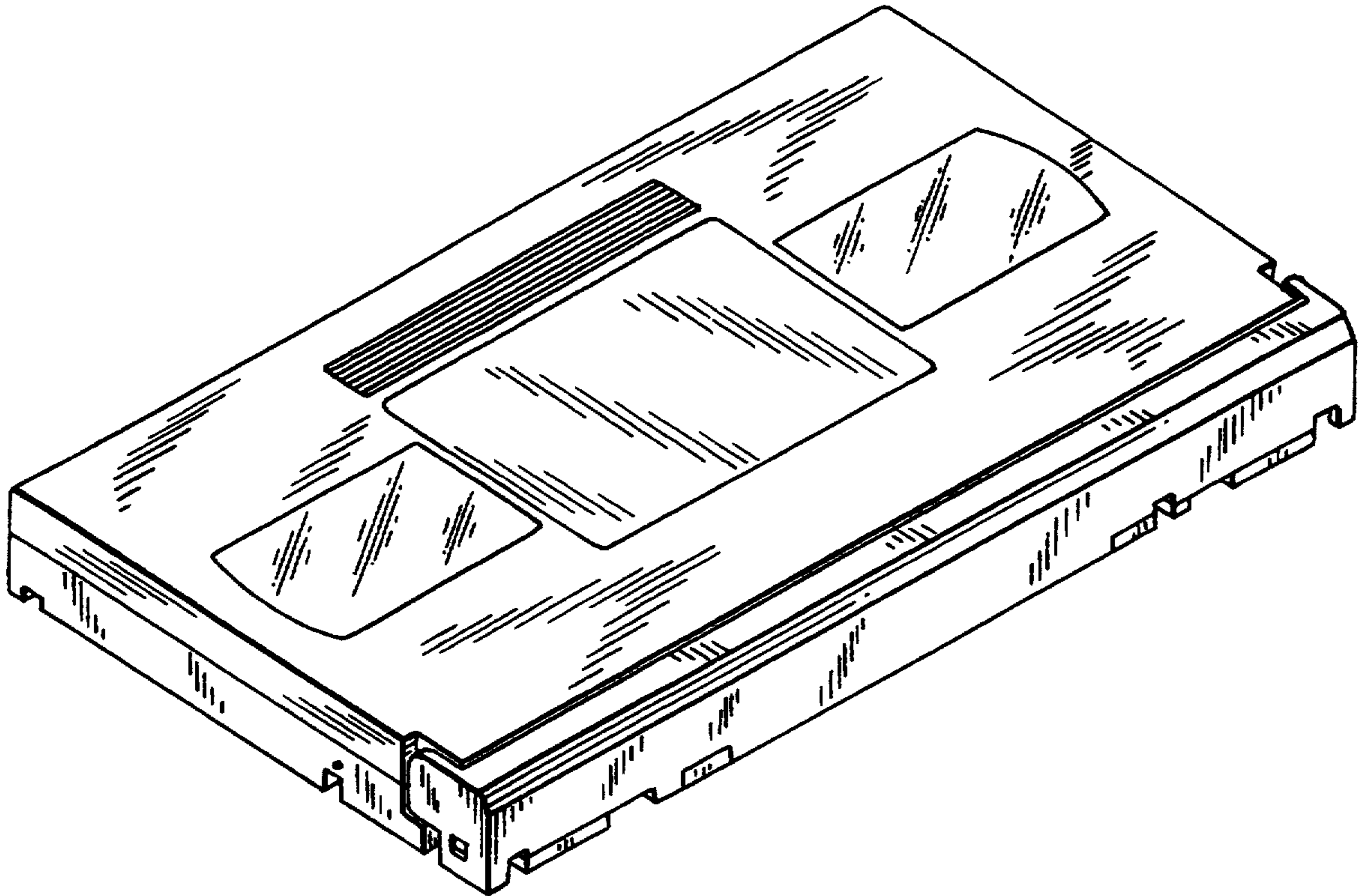
Primary Examiner—Theodore M. Shooman
Attorney, Agent, or Firm—Lewis H. Eslinger; Jay H. Maioli

[57] **CLAIM**

The ornamental design for a magnetic tape cassette, as shown and described.

DESCRIPTION

FIG. 1 is a top, front and left-side perspective view of a magnetic tape cassette, showing my new design; FIG. 2 is a front elevational view thereof; FIG. 3 is a rear elevational view thereof; FIG. 4 is a left-side elevational view thereof; FIG. 5 is a right-side elevational view thereof; FIG. 6 is a top plan view thereof; and, FIG. 7 is a bottom plan view thereof.



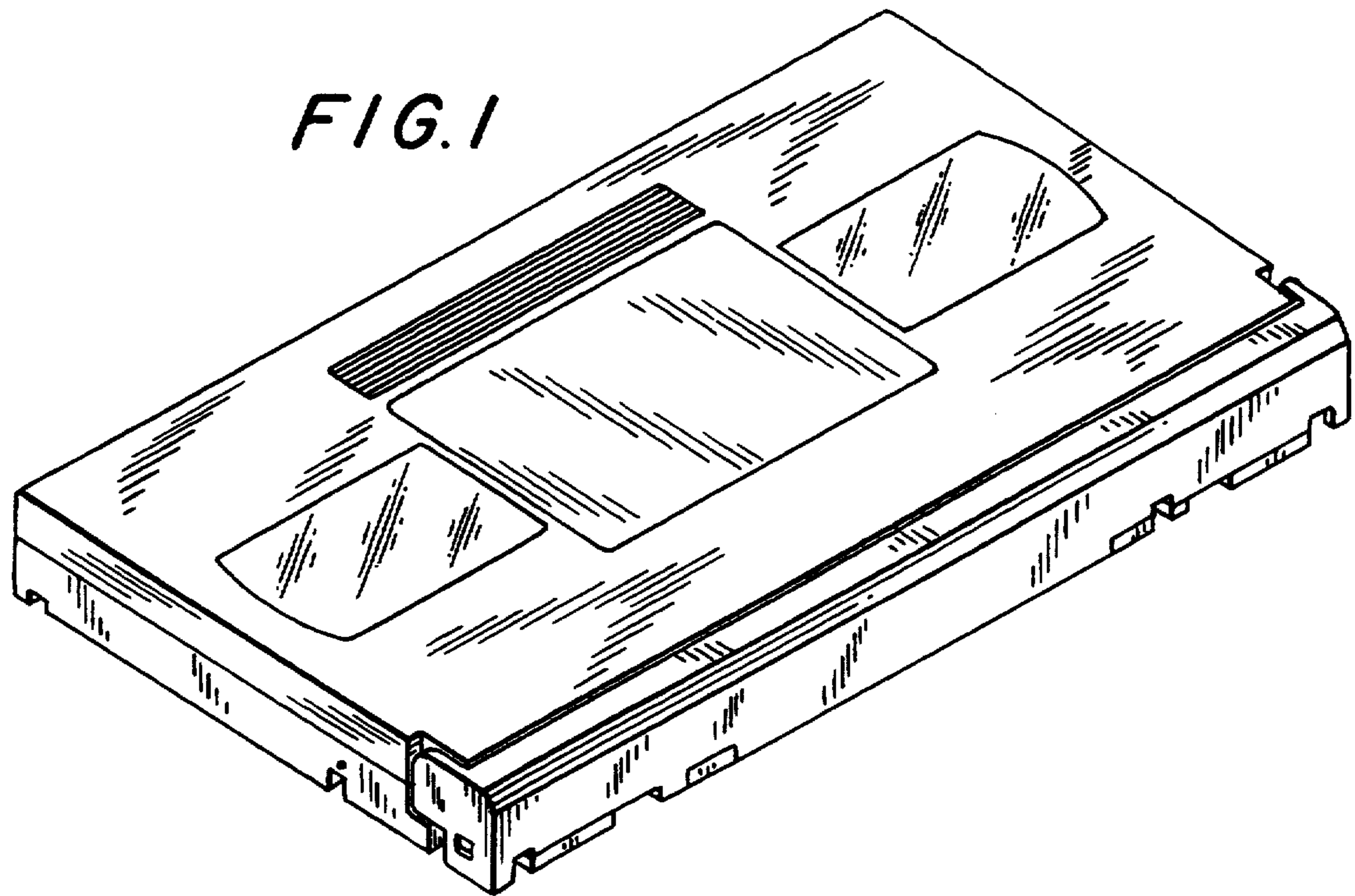


FIG. 2

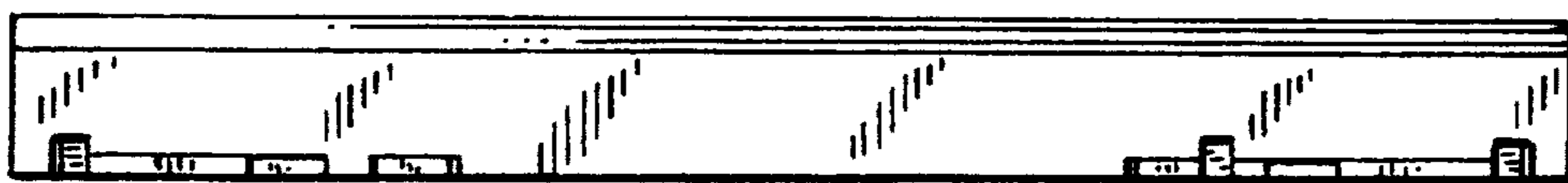


FIG. 3



FIG. 4

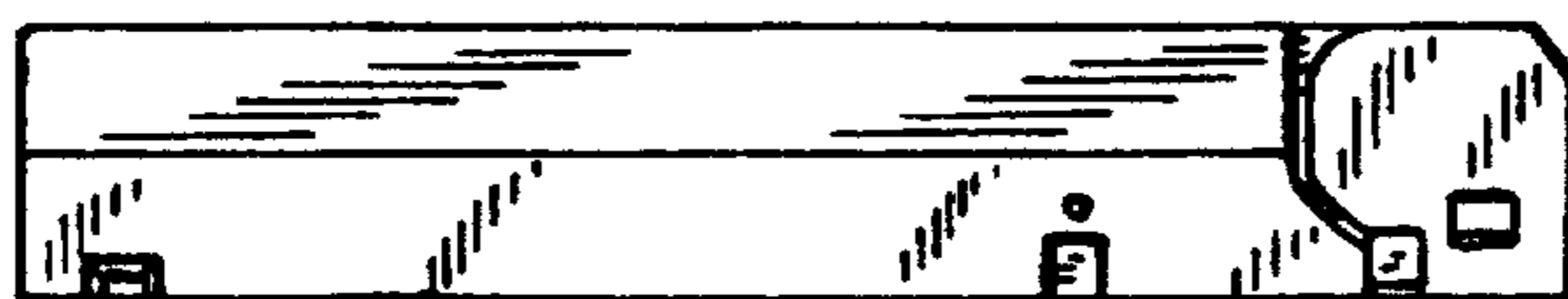


FIG. 5

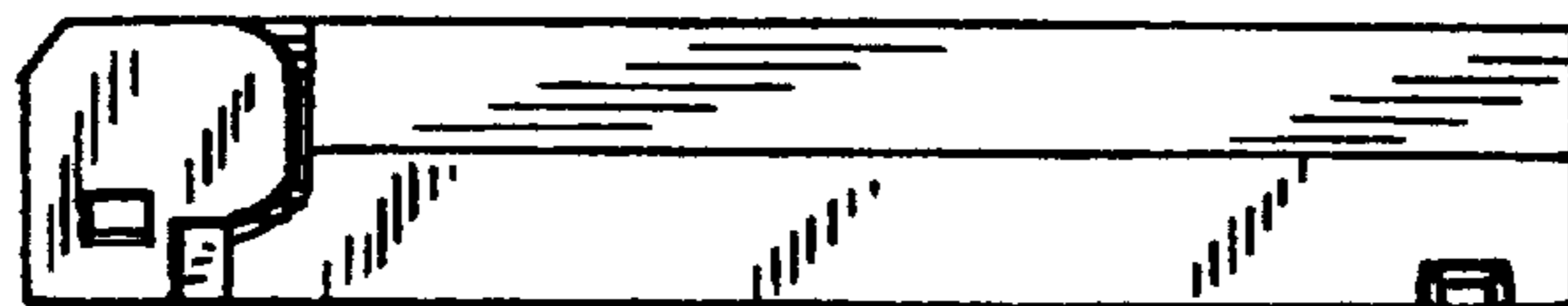


FIG. 6

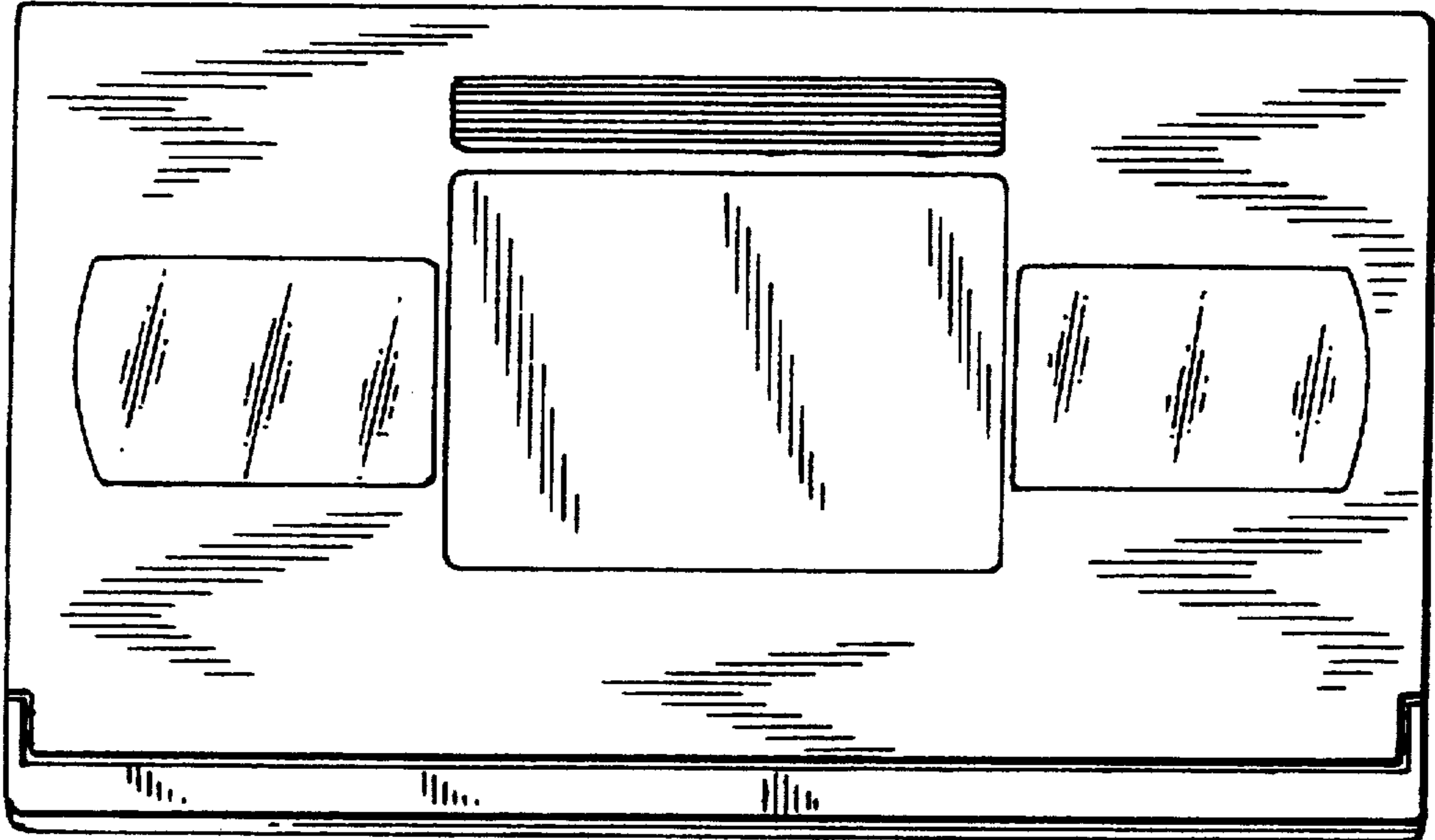


FIG. 7

