



US00D351376S

# United States Patent [19]

Hughes

[11] Patent Number: Des. 351,376

[45] Date of Patent: \*\* Oct. 11, 1994

[54] SWITCH ACTUATOR COVER

[76] Inventor: **Richard R. Hughes**, 1601 Kingsbridge, Garland, Tex. 75044

[\*\*] Term: **14 Years**

[21] Appl. No.: **8,770**

[22] Filed: **Jun. 11, 1993**

[52] U.S. Cl. .... **D13/177**

[58] Field of Search ..... **D8/353; 174/66, 67; 220/242; 200/43.01, 43.11, 43.16, 43.21, 43.22, 304, 333, 334; 439/519, 528, 536; D13/173, 177**

4,363,944 12/1982 Poirier ..... 220/242 X  
 4,972,045 11/1990 Primeau ..... 174/66  
 4,999,465 3/1991 Kuhlman et al. .... 200/308  
 5,003,128 3/1991 Grongin ..... 174/67  
 5,047,599 9/1991 Giolli ..... 220/43.022

*Primary Examiner*—Wallace R. Burke  
*Assistant Examiner*—Joel Sincavage  
*Attorney, Agent, or Firm*—Ross, Howison, Clapp & Korn

### [57] CLAIM

The ornamental design for switch actuator cover, as shown and described.

### DESCRIPTION

FIG. 1 is a front and upper right perspective view of a switch actuator cover showing my new design. The broken line showing of the switch plate is included for the purpose of illustrating environmental structure only and forms no part of the claimed design;

FIG. 2 is a front elevational view thereof;

FIG. 3 is a left side elevational view thereof;

FIG. 4 is a rear elevational view thereof;

FIG. 5 is a right side elevational view thereof;

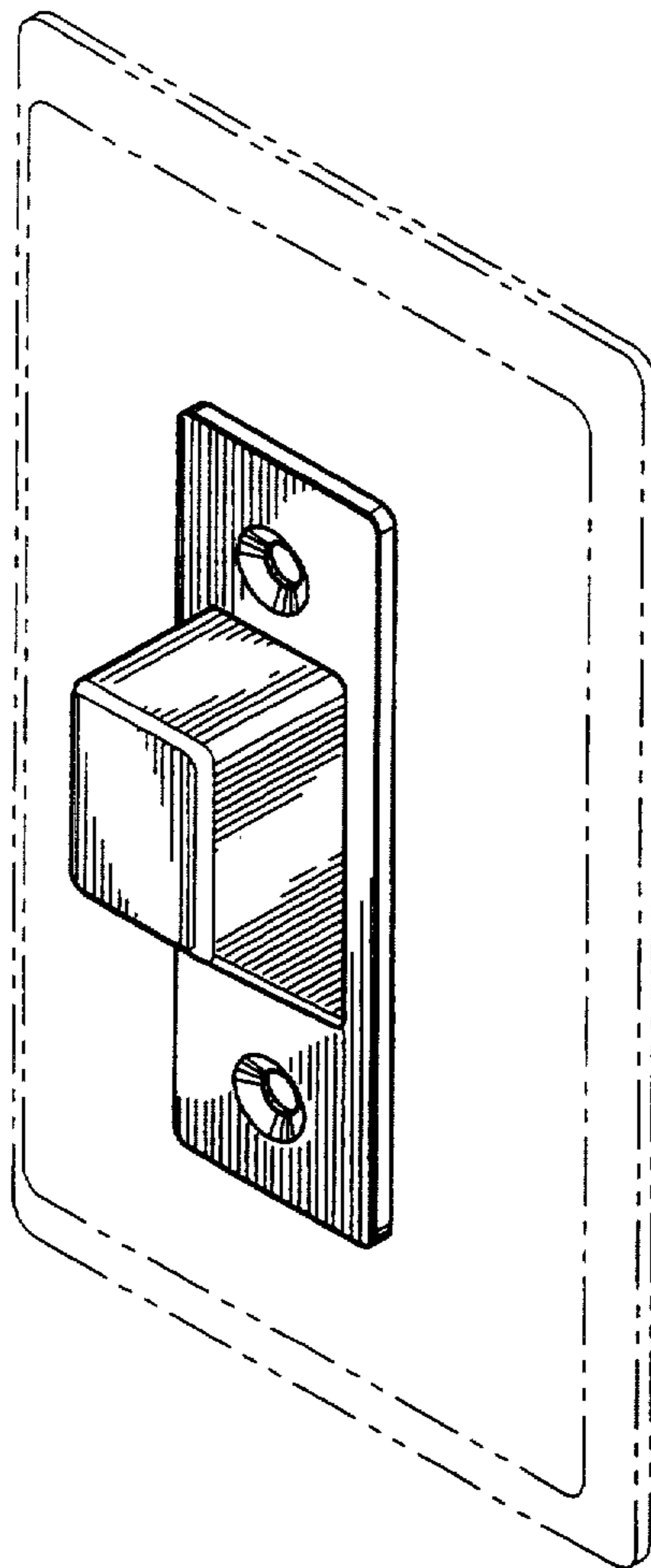
FIG. 6 is a top plan view thereof; and,

FIG. 7 is a bottom plan view thereof.

### [56] References Cited

#### U.S. PATENT DOCUMENTS

D. 51,241	9/1917	Rothenberg	.....	D13/174
D. 185,531	6/1959	Carlson	.....	D8/353
D. 271,374	11/1983	Butts	.....	D8/353
D. 276,428	11/1984	Burbank et al.	.....	D13/184
D. 301,336	5/1989	Copeland	.....	D13/173
D. 301,872	6/1989	Copeland	.....	D13/173
D. 314,556	2/1991	Aggson	.....	D8/353 X
D. 324,816	3/1992	Le Duc	.....	D8/353
3,530,230	9/1970	Cormier et al.	.....	174/66
4,102,471	7/1978	Lore et al.	.....	220/242



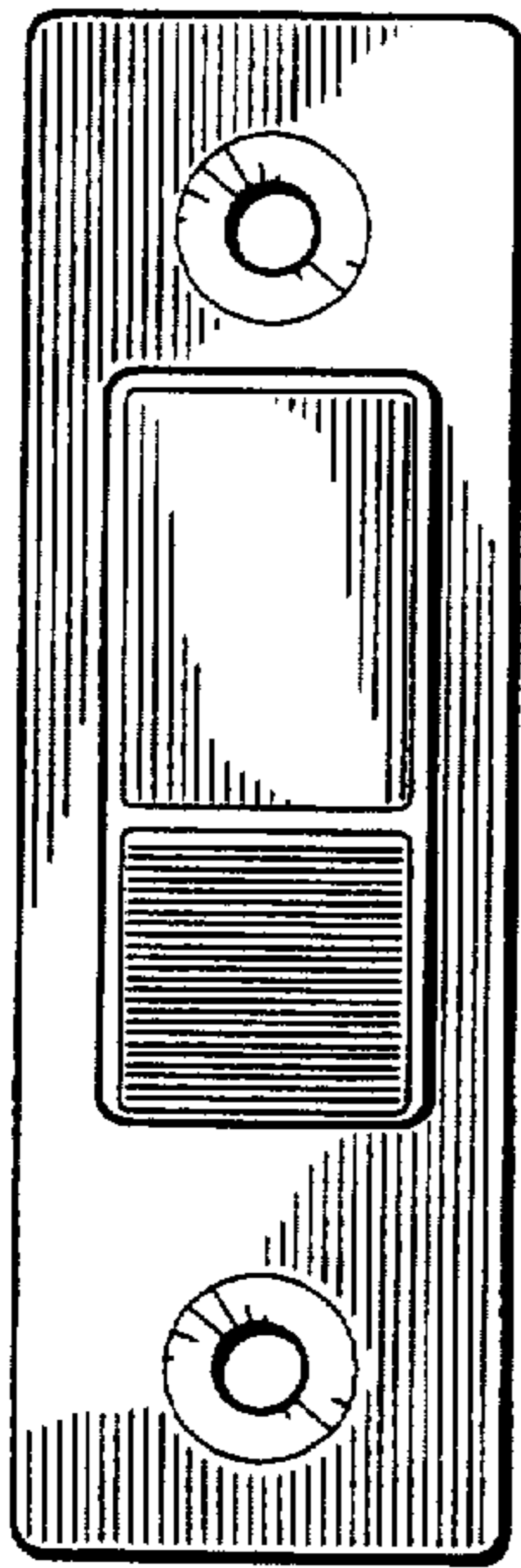


FIG. 2

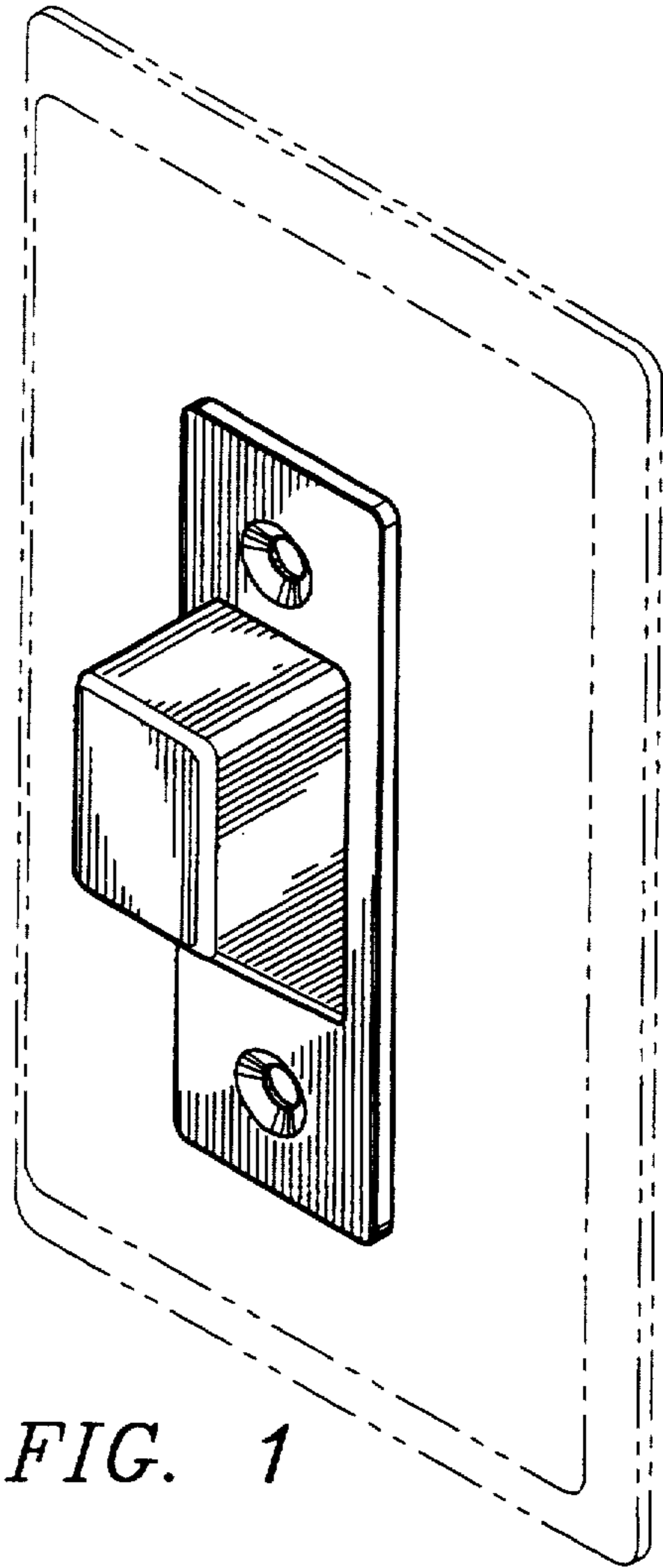


FIG. 1

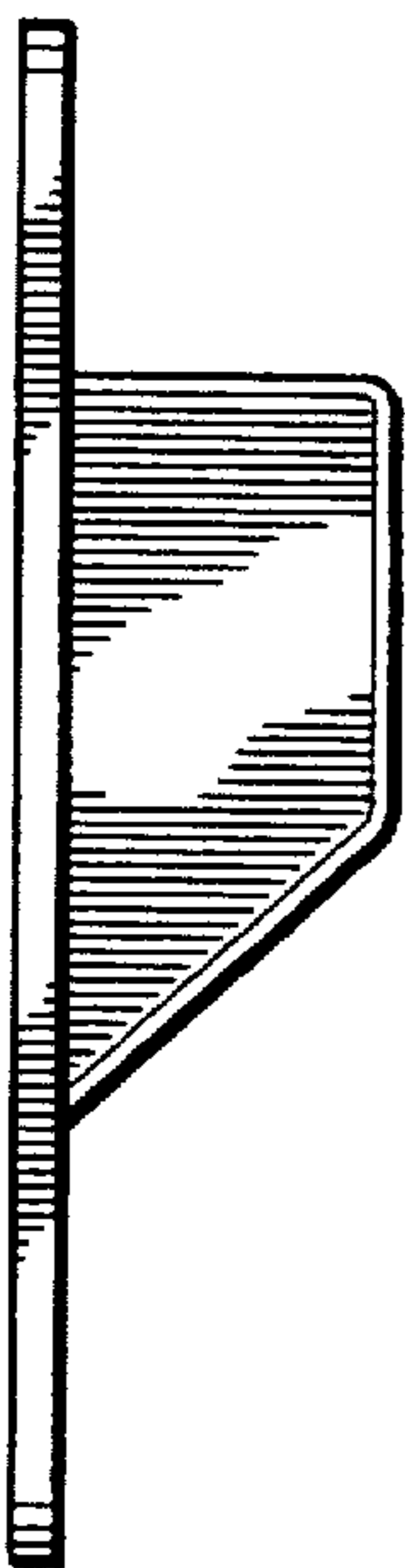


FIG. 3

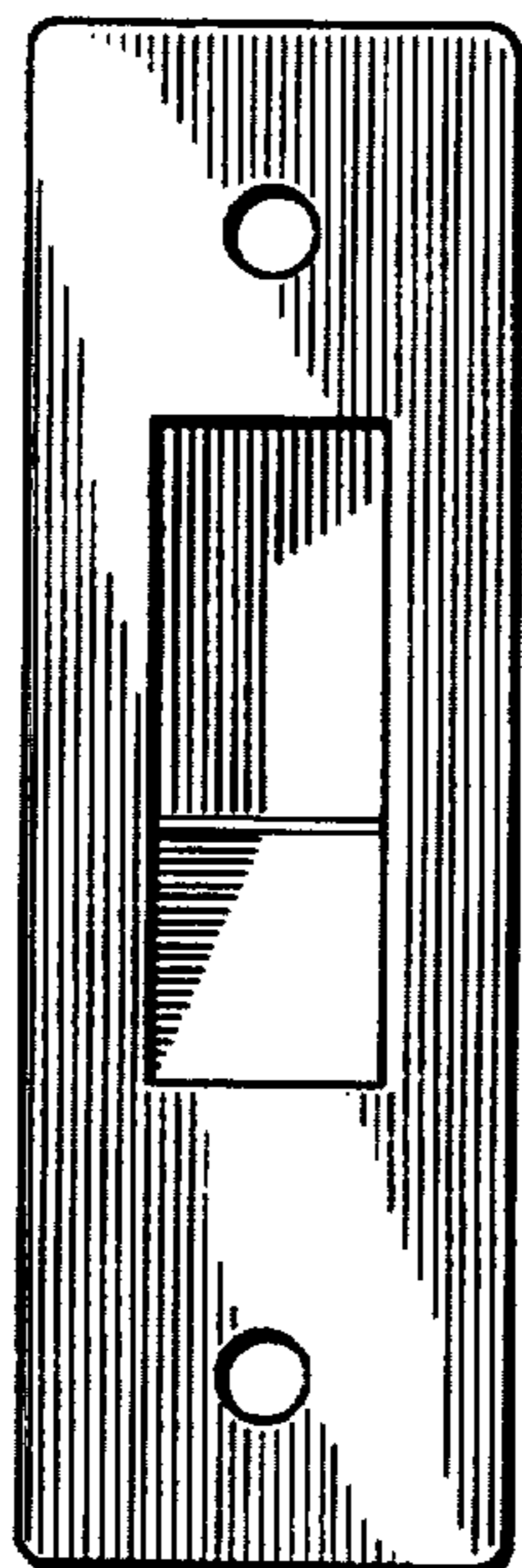


FIG. 4

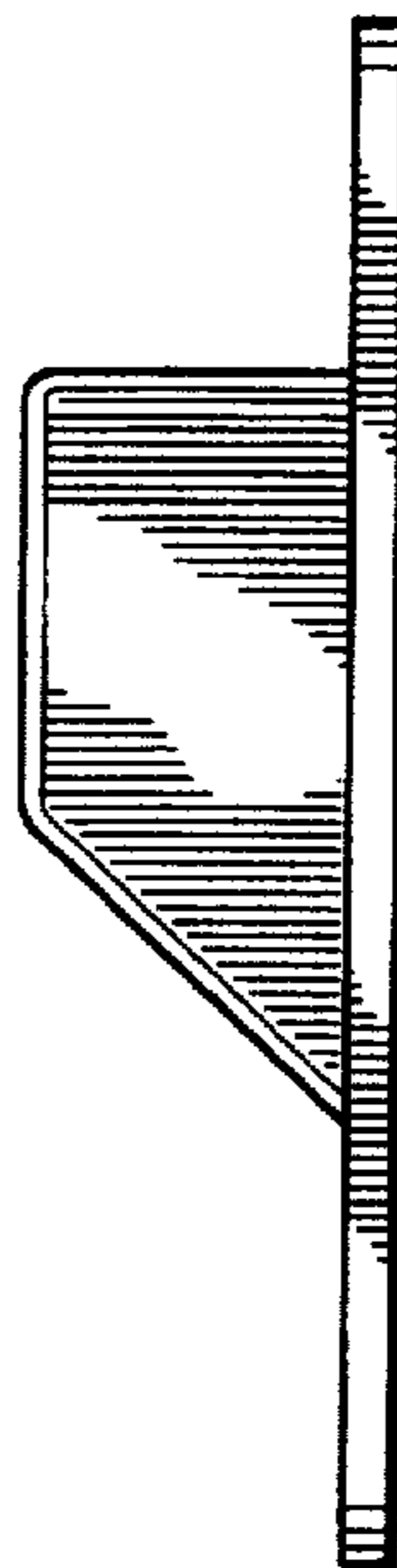


FIG. 5

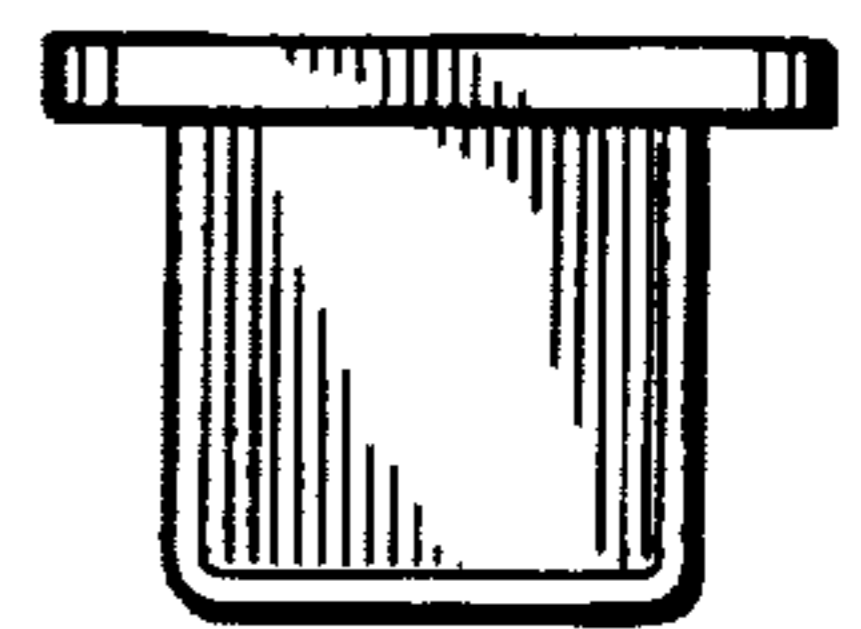


FIG. 6

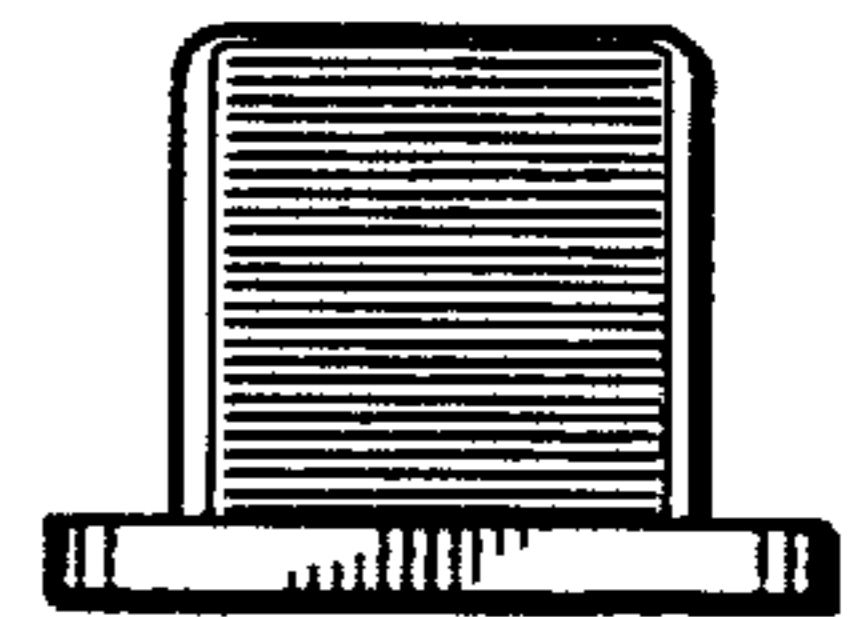


FIG. 7