



US00D351366S

United States Patent [19]

Park

[11] Patent Number: **Des. 351,366**

[45] Date of Patent: **** Oct. 11, 1994**

[54] **BUCKLE**

[76] Inventor: **Bae W. Park, 33-15, Samcheon-dong, Seo-ku, Taejeon-shi, Rep. of Korea**

[**] Term: **14 Years**

[21] Appl. No.: **14,555**

[22] Filed: **Oct. 22, 1993**

[52] U.S. Cl. **D11/231; D3/208**

[58] Field of Search **D2/627, 631-633; 24/163 R; 224/163, 229; D3/207-212; 70/456 R; D11/200, 201, 231-241**

2,859,789 11/1958 **Bucket** **D3/207 X**
 3,100,608 8/1963 **Goldfarb** **D3/208 X**
 4,905,878 3/1990 **Lovinger et al.** **70/456 R X**
 5,046,343 9/1991 **Miwa** **70/456 R X**

Primary Examiner—**Ralf T. Seifert**
Attorney, Agent, or Firm—**Helfgott & Karas**

[57] CLAIM

The ornamental design for a buckle, as shown and described.

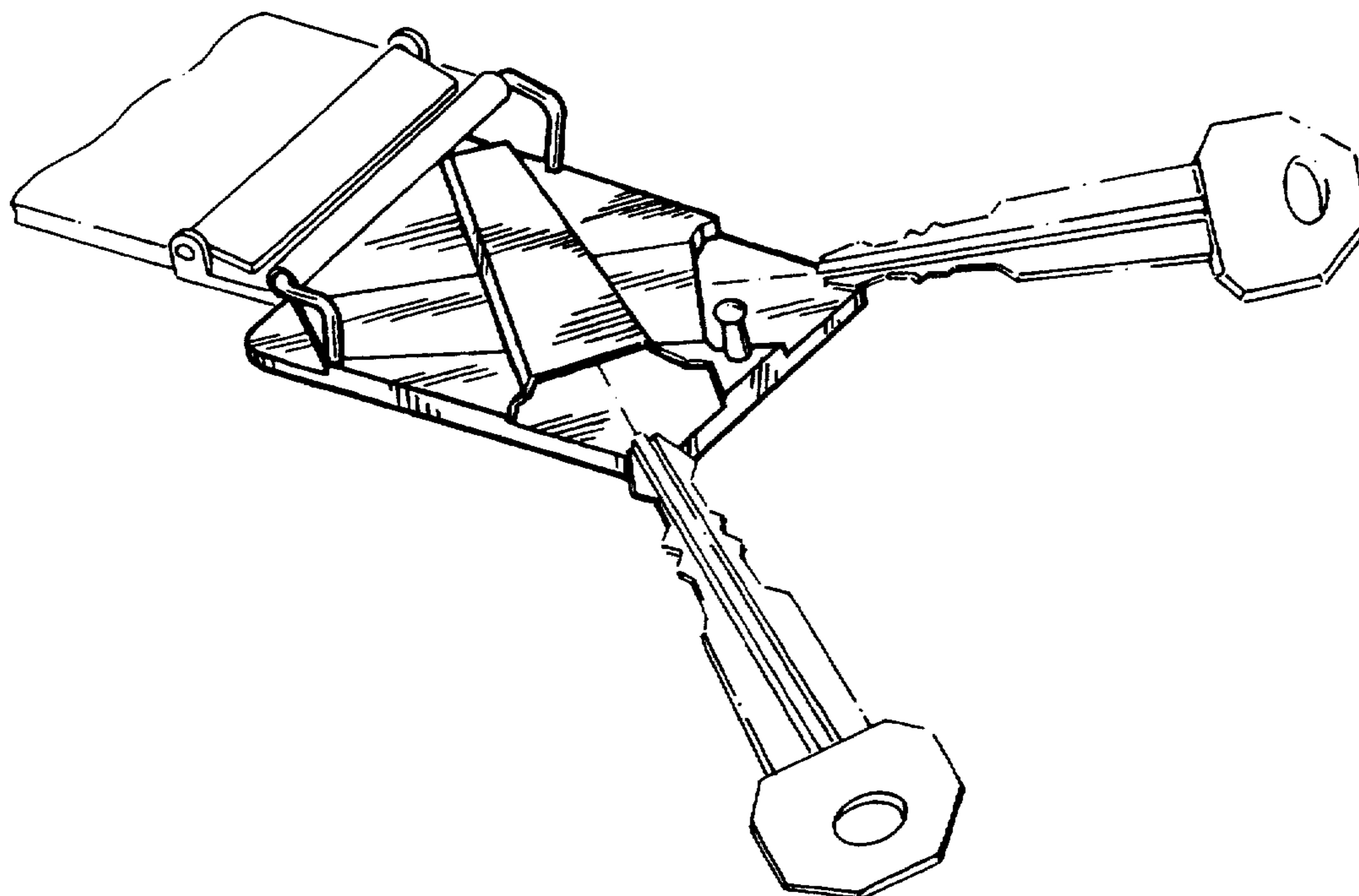
DESCRIPTION

FIG. 1 is a perspective view of the top of the buckle; FIG. 2 is a perspective view of the buckle shown in use, the broken line showing of keys and partial belt attachment is shown for illustrative purposes and forms no part of the claimed design; FIG. 3 is a back side view thereof; FIG. 4 is a front view thereof; FIG. 5 is a right side view thereof; FIG. 6 is a left side view thereof; FIG. 7 is a top view of the thereof; and, FIG. 8 is a bottom view thereof.

[56] References Cited

U.S. PATENT DOCUMENTS

D. 245,371 8/1977 **Mowry** **D3/207**
 D. 259,073 5/1981 **Holms** **D3/207**
 D. 295,920 5/1988 **Osofsky et al.** **D3/207**
 D. 308,293 6/1990 **Marlin** **D3/207**
 D. 315,641 3/1991 **Semeniuk** **D3/207 X**
 1,599,920 9/1926 **Pryor** **70/456 R**
 2,413,337 12/1946 **Segal** **70/456 R**



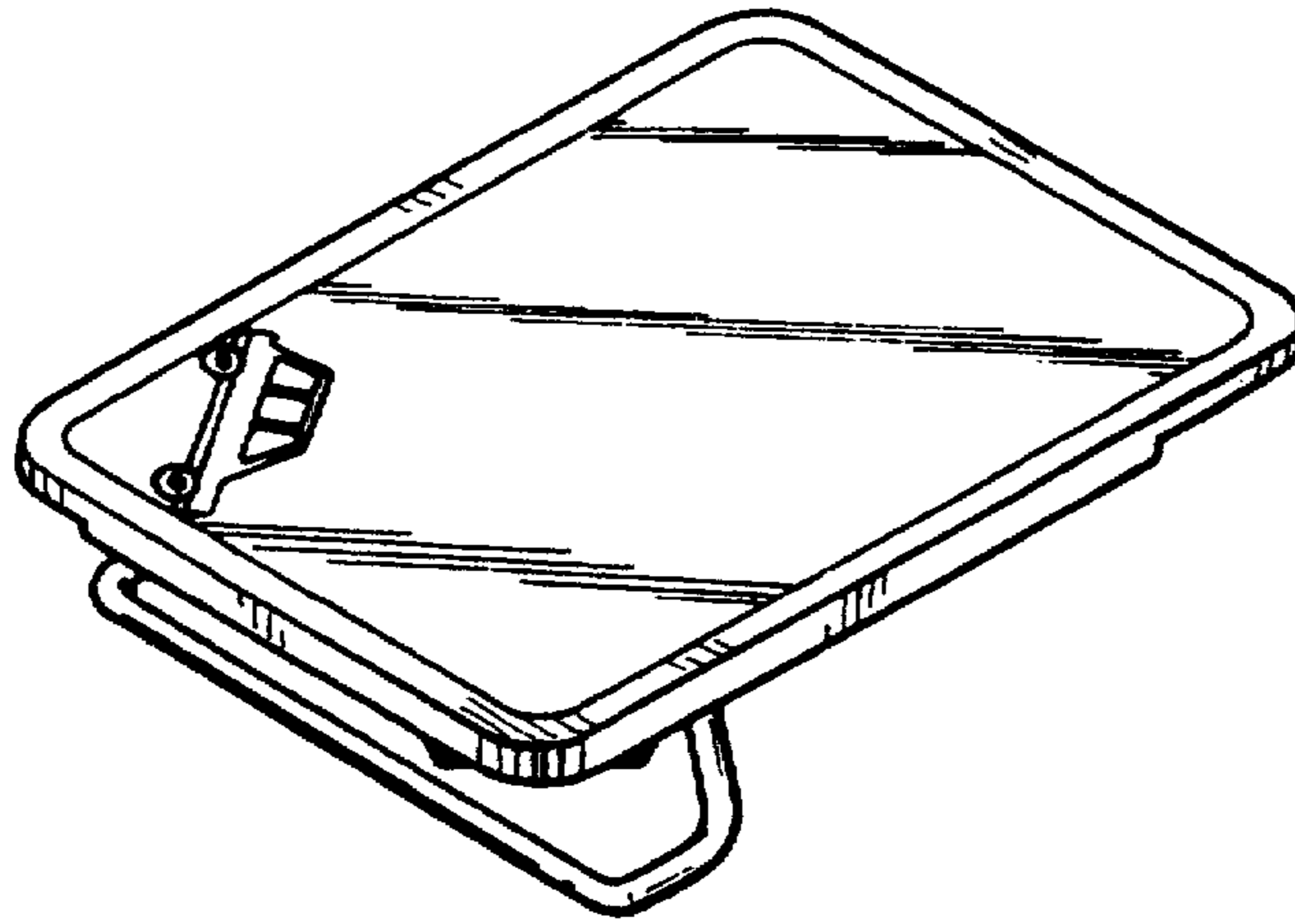


FIG. 1

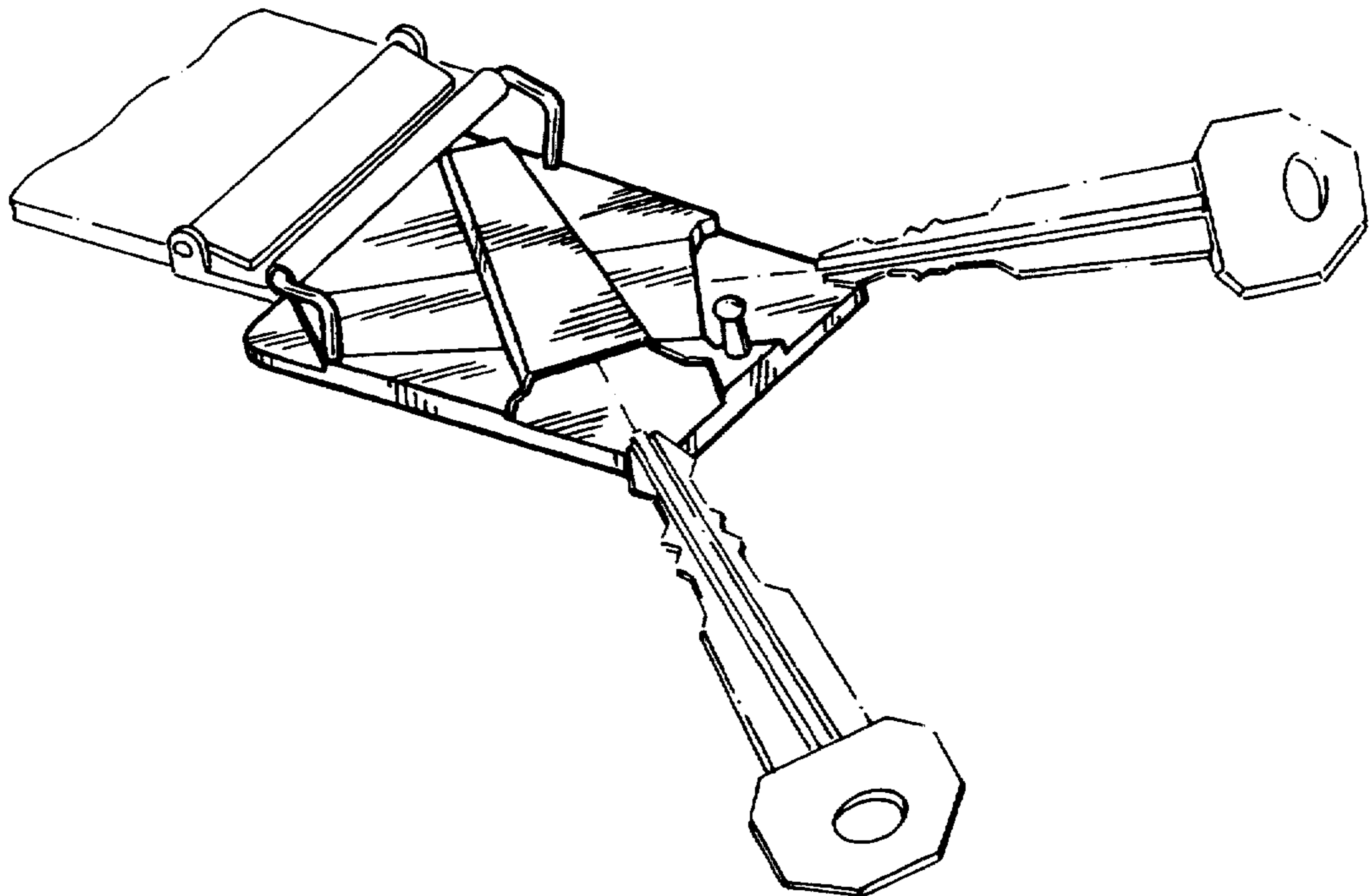


FIG. 2

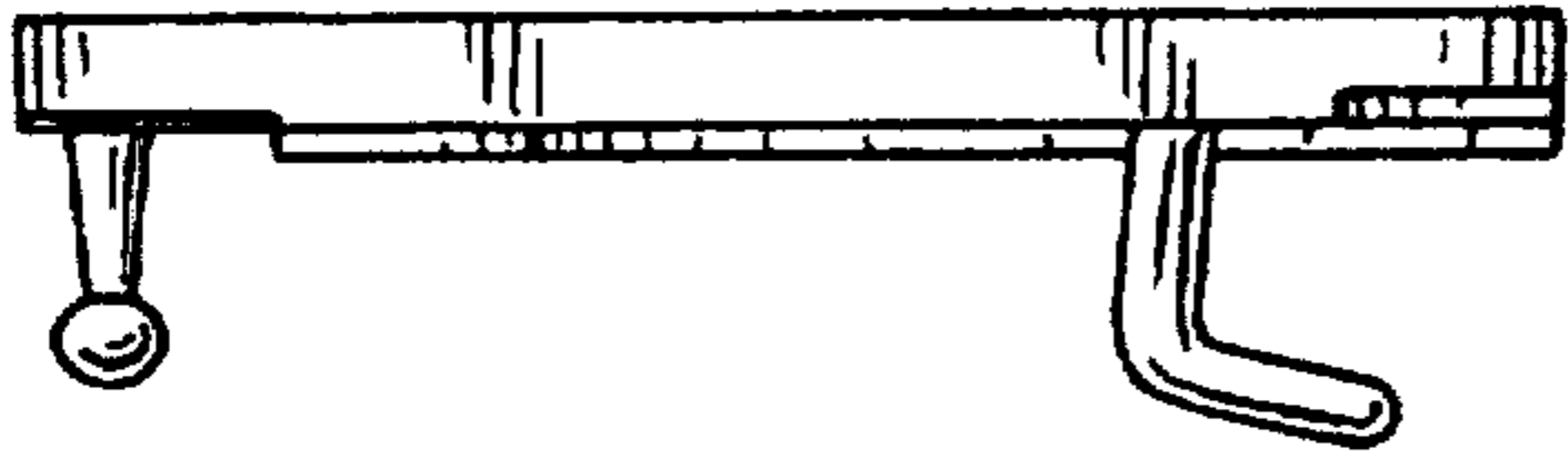


FIG. 3

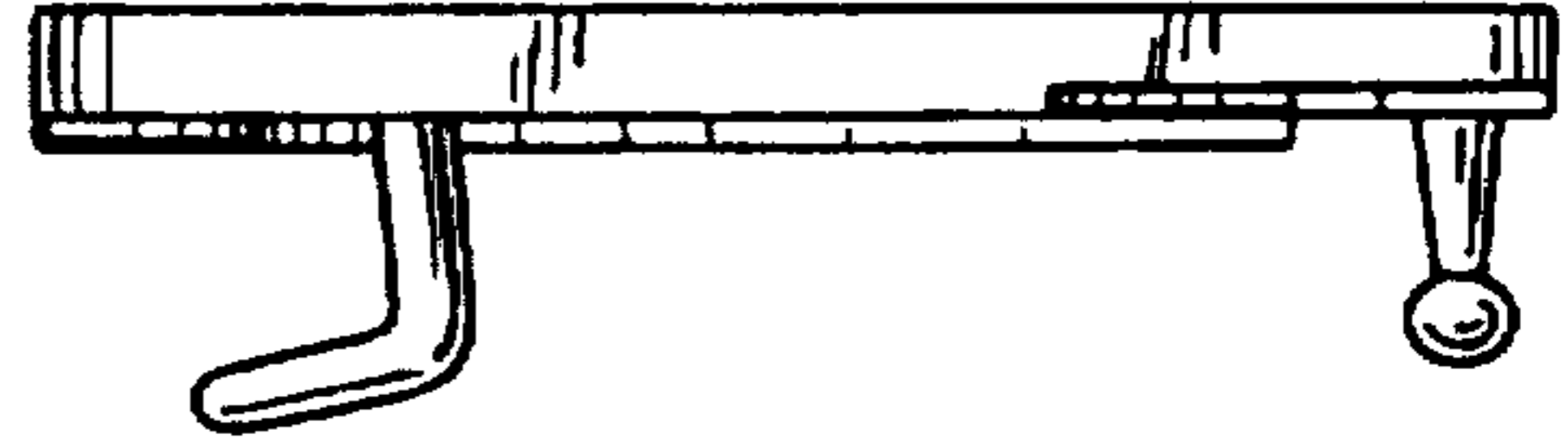


FIG. 4

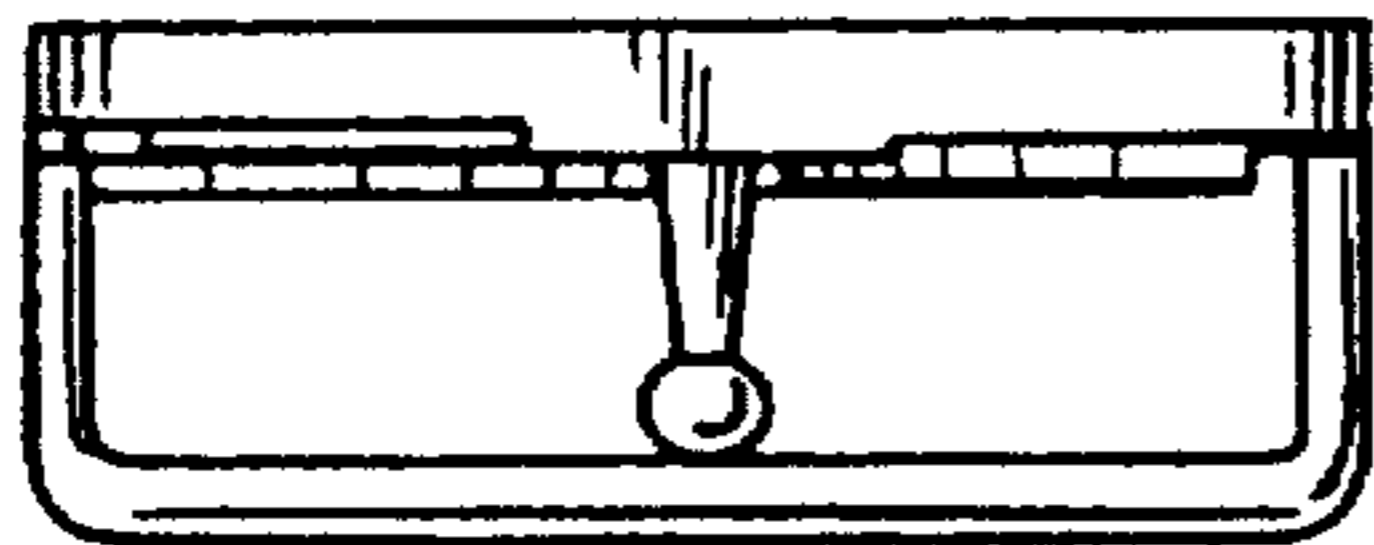


FIG. 5

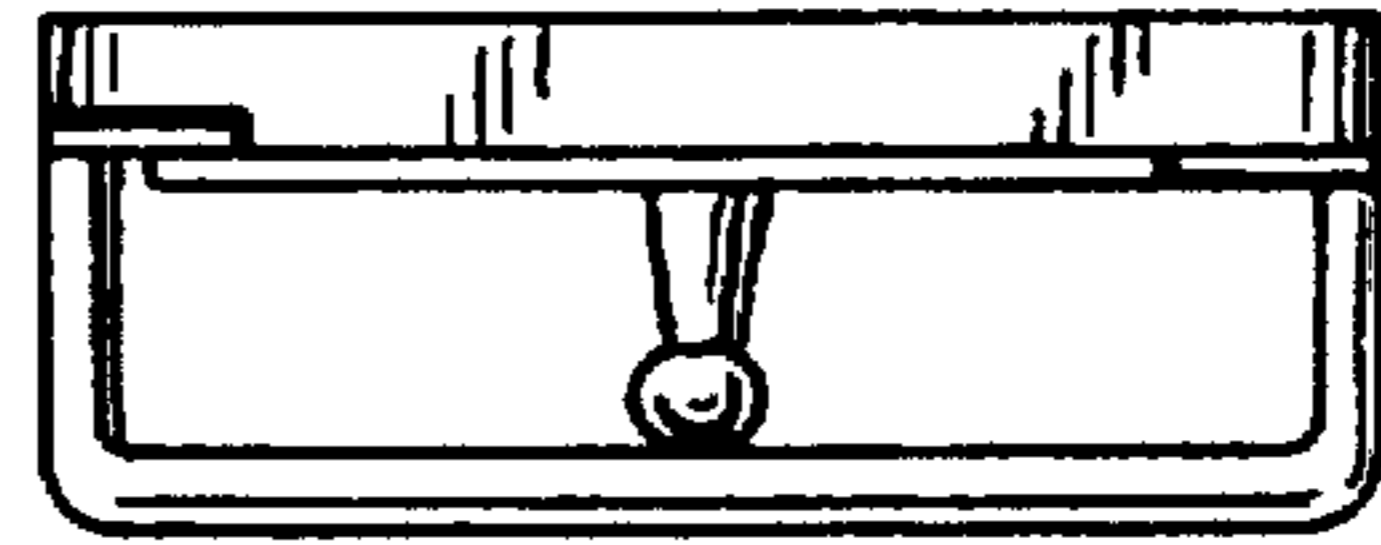


FIG. 6

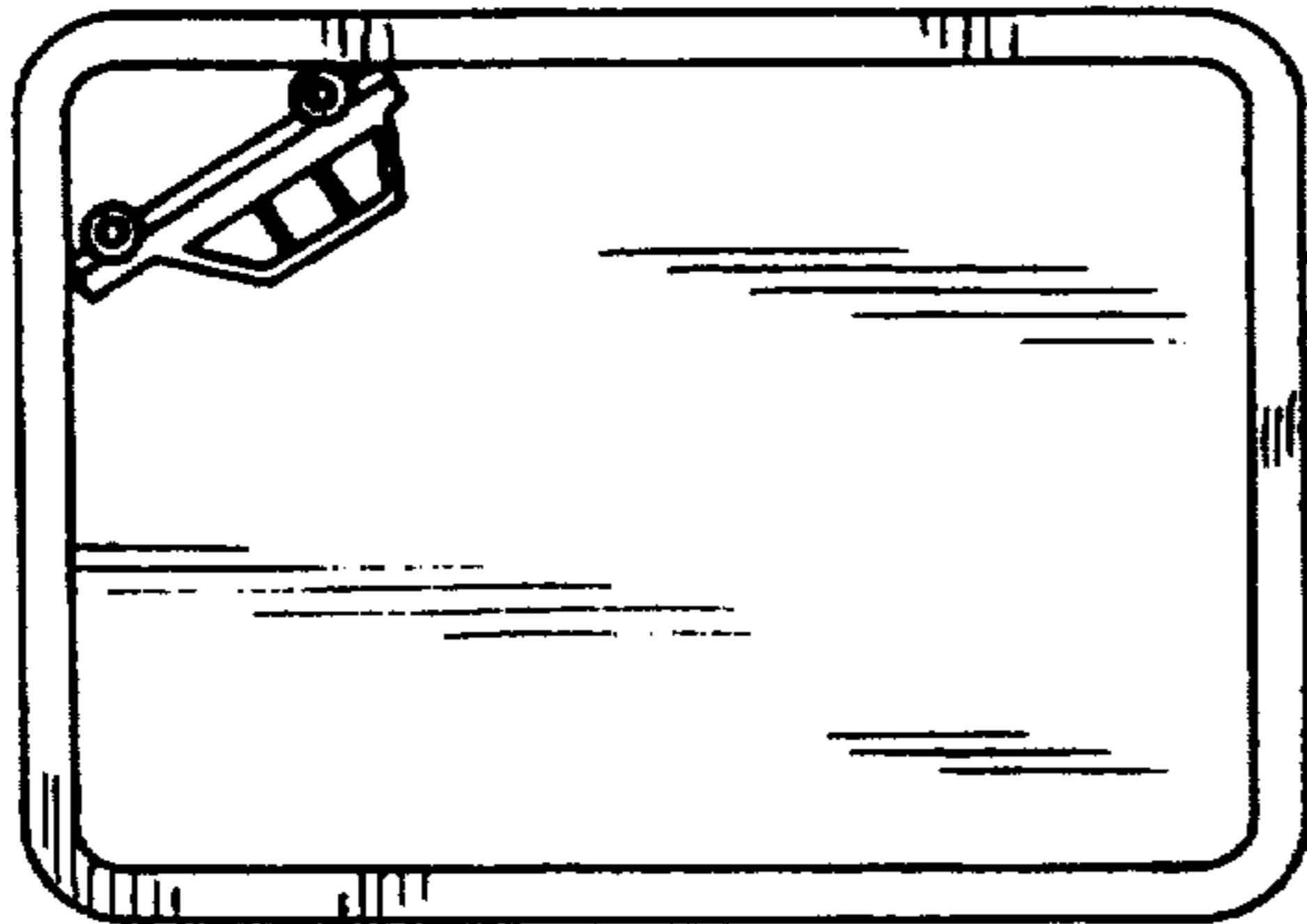


FIG. 7

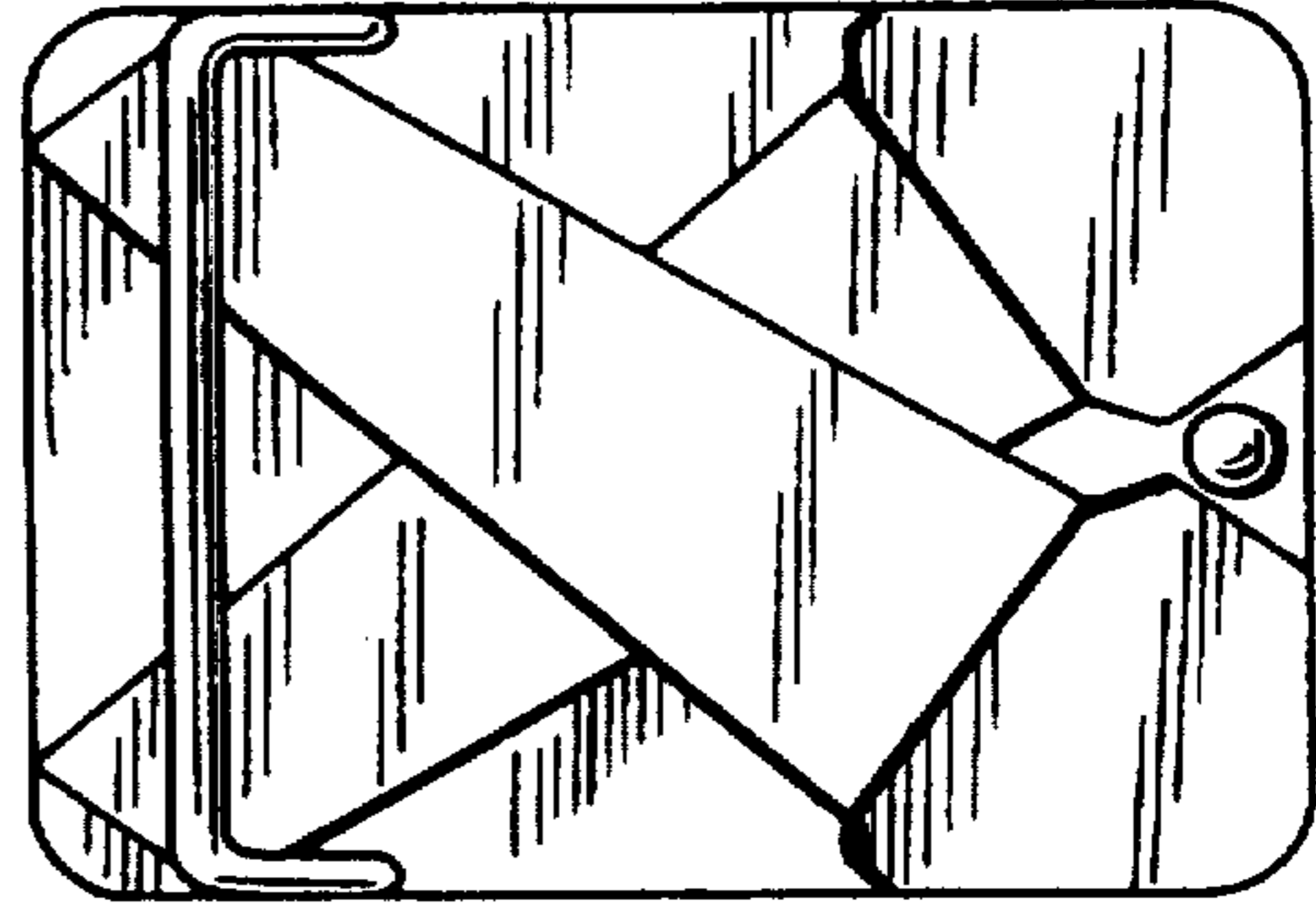


FIG. 8