



US00D351352S

United States Patent [19]

[11] Patent Number: **Des. 351,352**

Hochreuther

[45] Date of Patent: **** Oct. 11, 1994**

[54] **REPAIRED ELECTRICAL APPLIANCE TESTER**

[75] Inventor: **Karl Hochreuther**, Nürnberg, Fed. Rep. of Germany

[73] Assignee: **Metrawatt GmbH**, Nuremberg, Fed. Rep. of Germany

[**] Term: **14 Years**

[21] Appl. No.: **8,256**

[22] Filed: **May 12, 1993**

[30] **Foreign Application Priority Data**

Nov. 12, 1992 [DE] Fed. Rep. of Germany M9208451.6

[52] U.S. Cl. **D10/75; D10/46**

[58] Field of Search 73/431, 432; 206/586; 324/156, 115; 224/205, 257; 73/629; 340/870.28; 339/108; D10/46, 75

[56] **References Cited**

U.S. PATENT DOCUMENTS

D. 251,368	3/1979	Katzmann et al.	D10/75 X
D. 300,123	3/1989	Nichols et al.	D10/75
D. 308,645	6/1990	Hughes et al.	D10/75
D. 318,627	7/1991	Frederick	D10/75 X
4,439,726	3/1984	Hochreuther	324/156

Primary Examiner—Alan P. Douglas
Assistant Examiner—Antoine O. Davis
Attorney, Agent, or Firm—Herbert L. Lerner; Laurence A. Greenberg

[57] **CLAIM**

The ornamental design for a repaired electrical appliance tester, as shown and described.

DESCRIPTION

FIG. 1 is a front-top perspective view of my new repaired electrical appliance tester design, with the cover of the housing closed;

FIG. 2 is a rear-top perspective view thereof;

FIG. 3 is a perspective view thereof with the cover open;

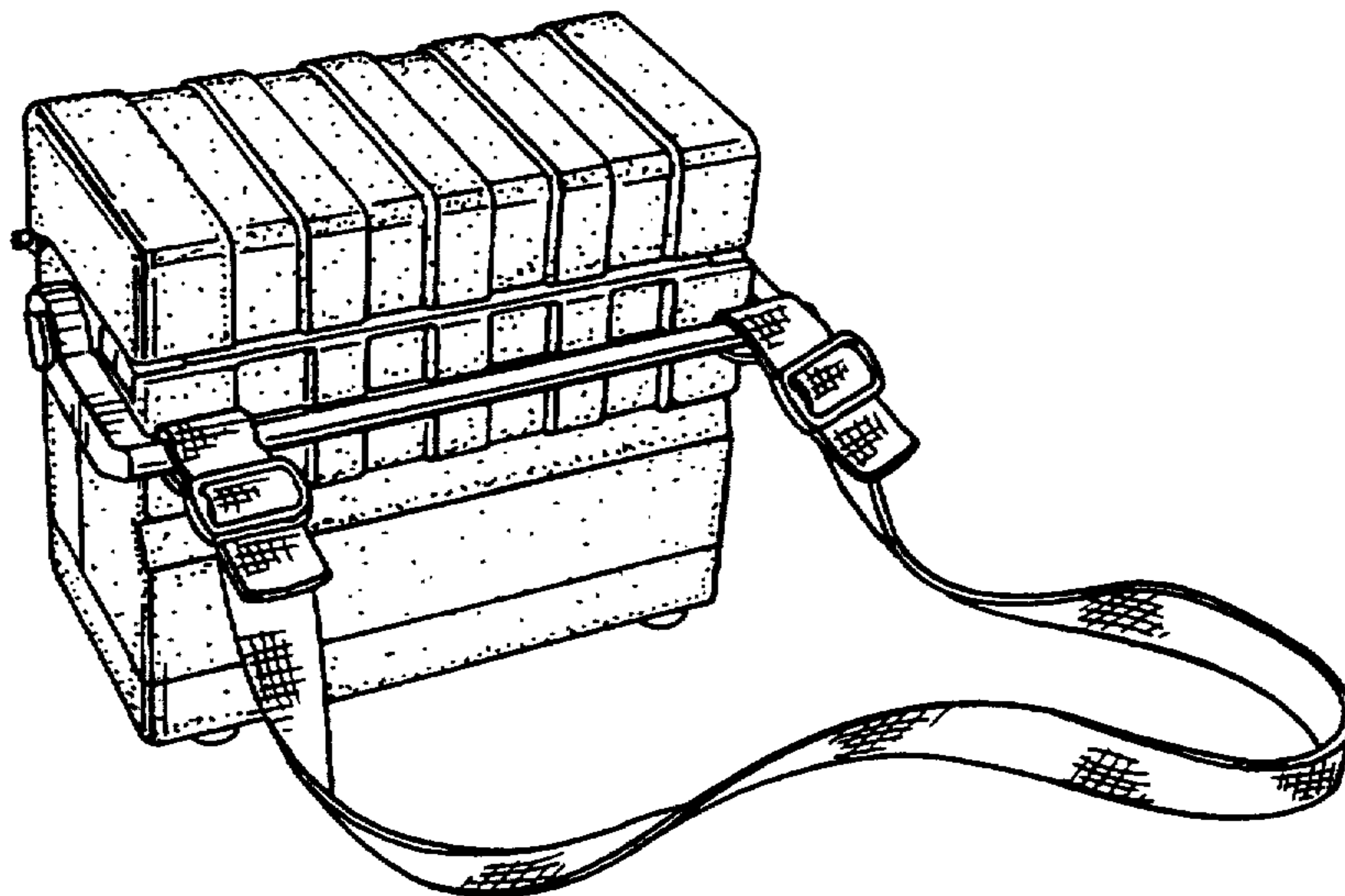
FIG. 4 is a rear and bottom perspective view thereof with the cover open;

FIG. 5 is a perspective view of my new testing device design, with the cover of the housing open and showing the disposition of a remote key-pad in the cover lid of the housing;

FIG. 6 is a view similar to that of FIG. 5 with the key-pad removed; and,

FIG. 7 is a perspective view of my design carried by an operator.

The broken line showing of a human is for illustrative purposes only and forms no part of the claimed design.



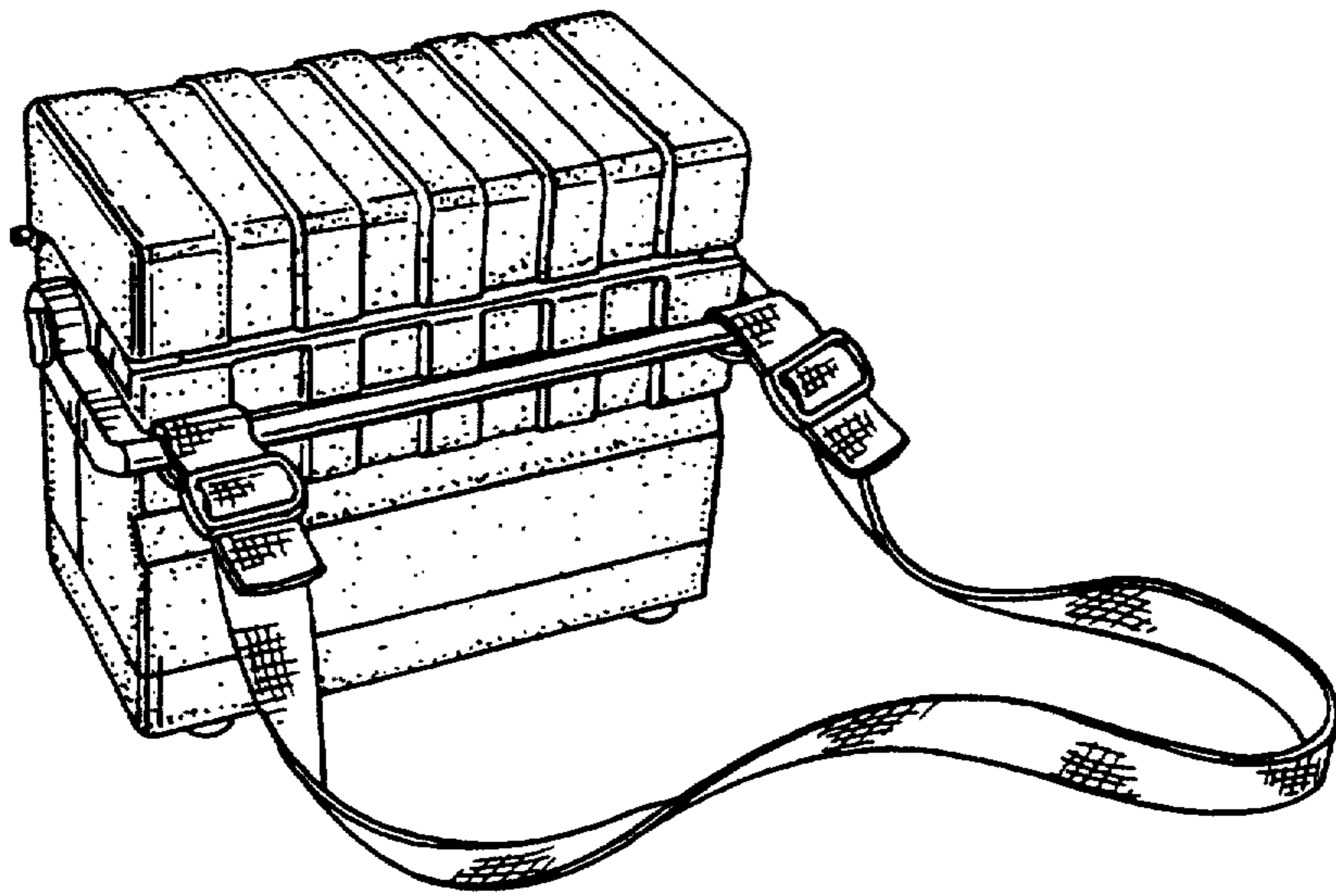


FIG. 1

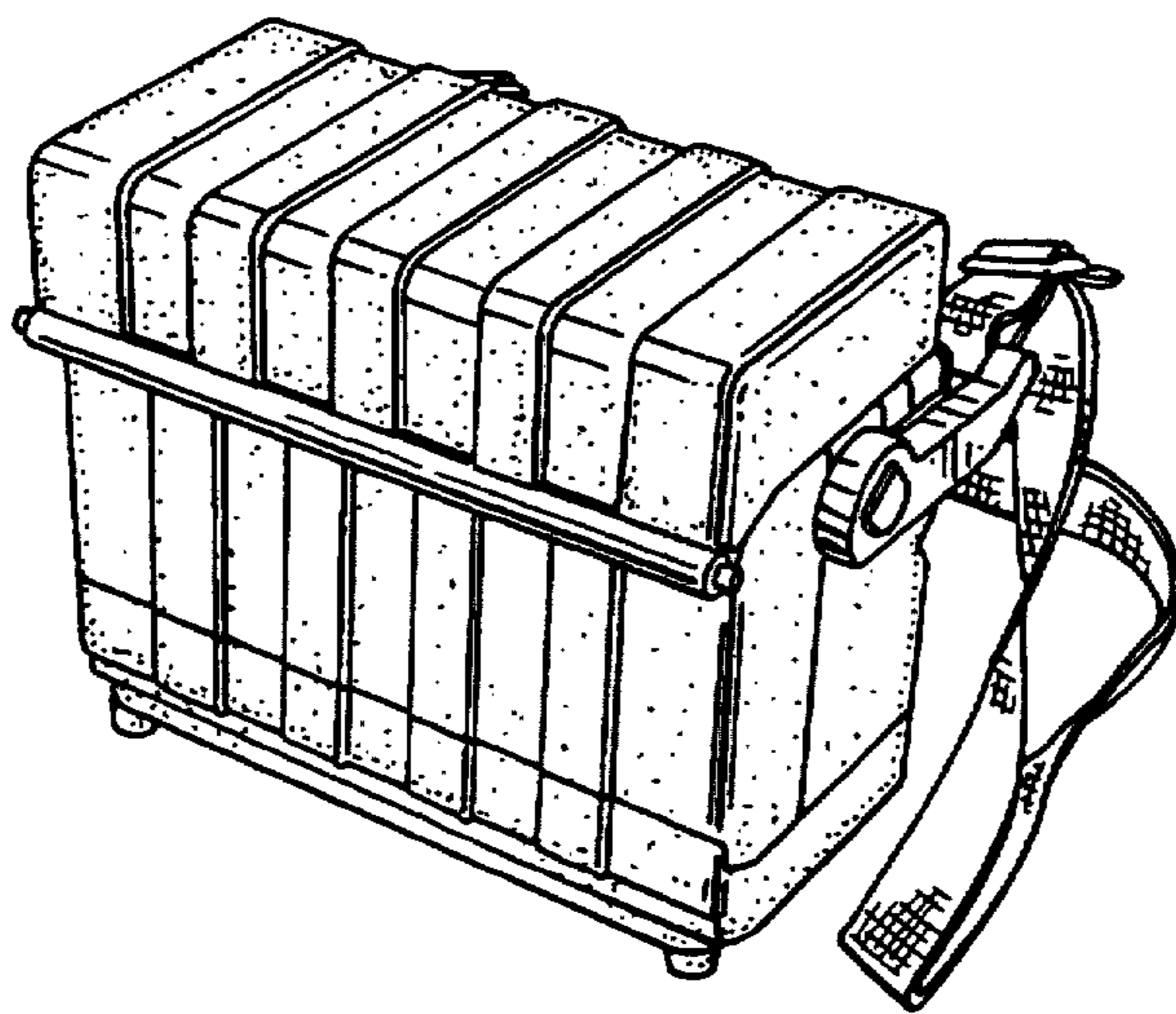


FIG. 2

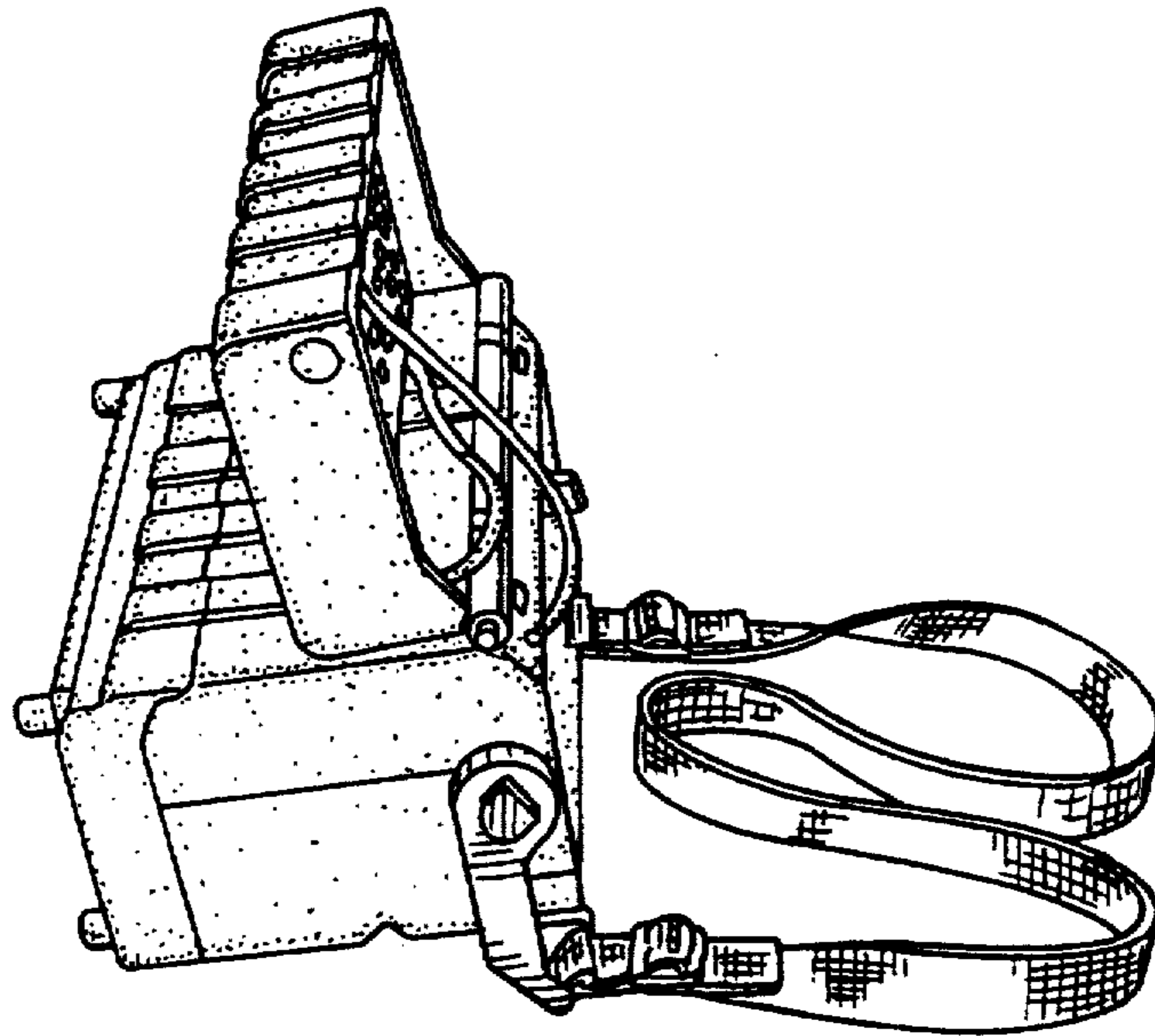


FIG. 3

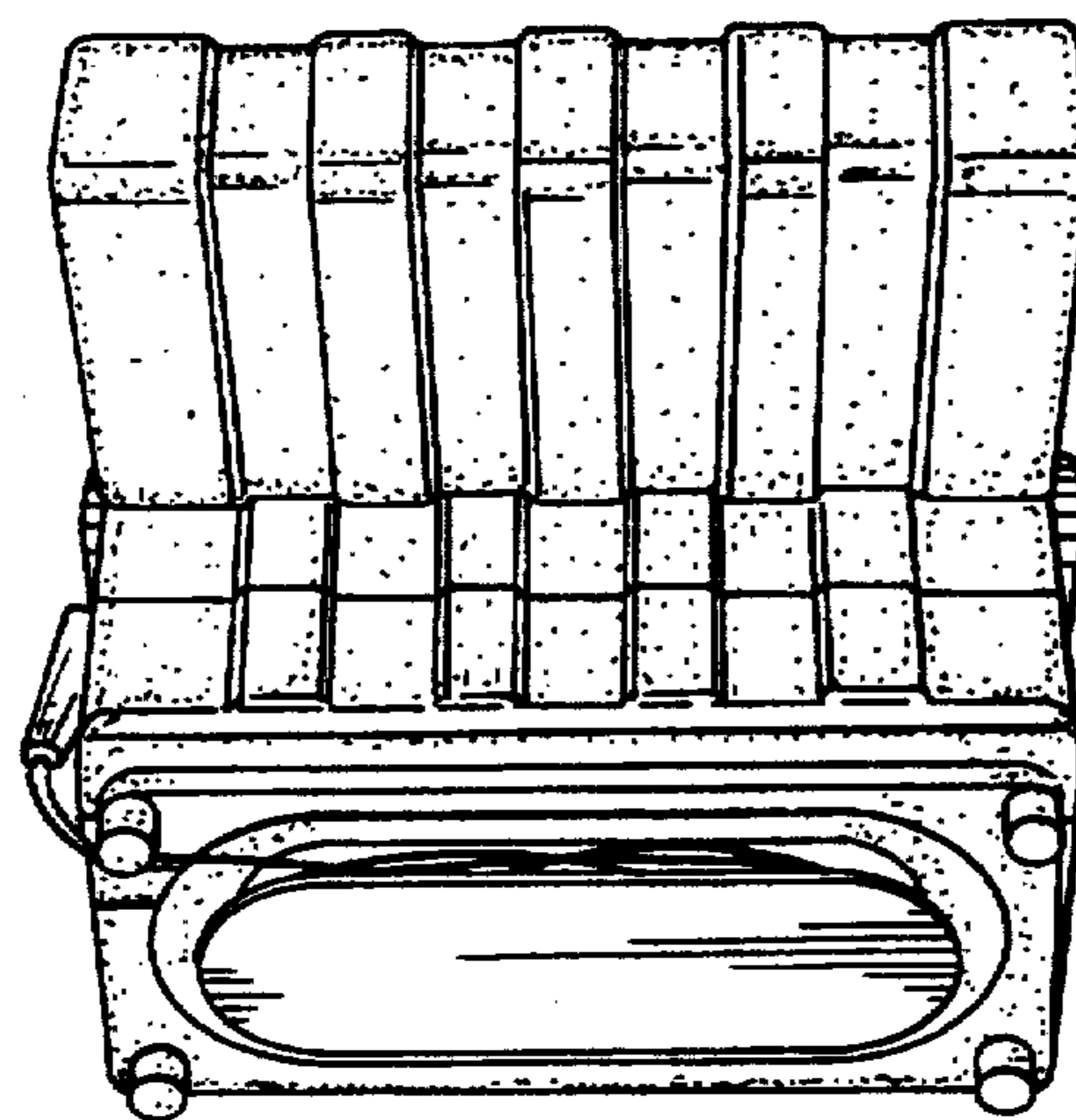


FIG. 4

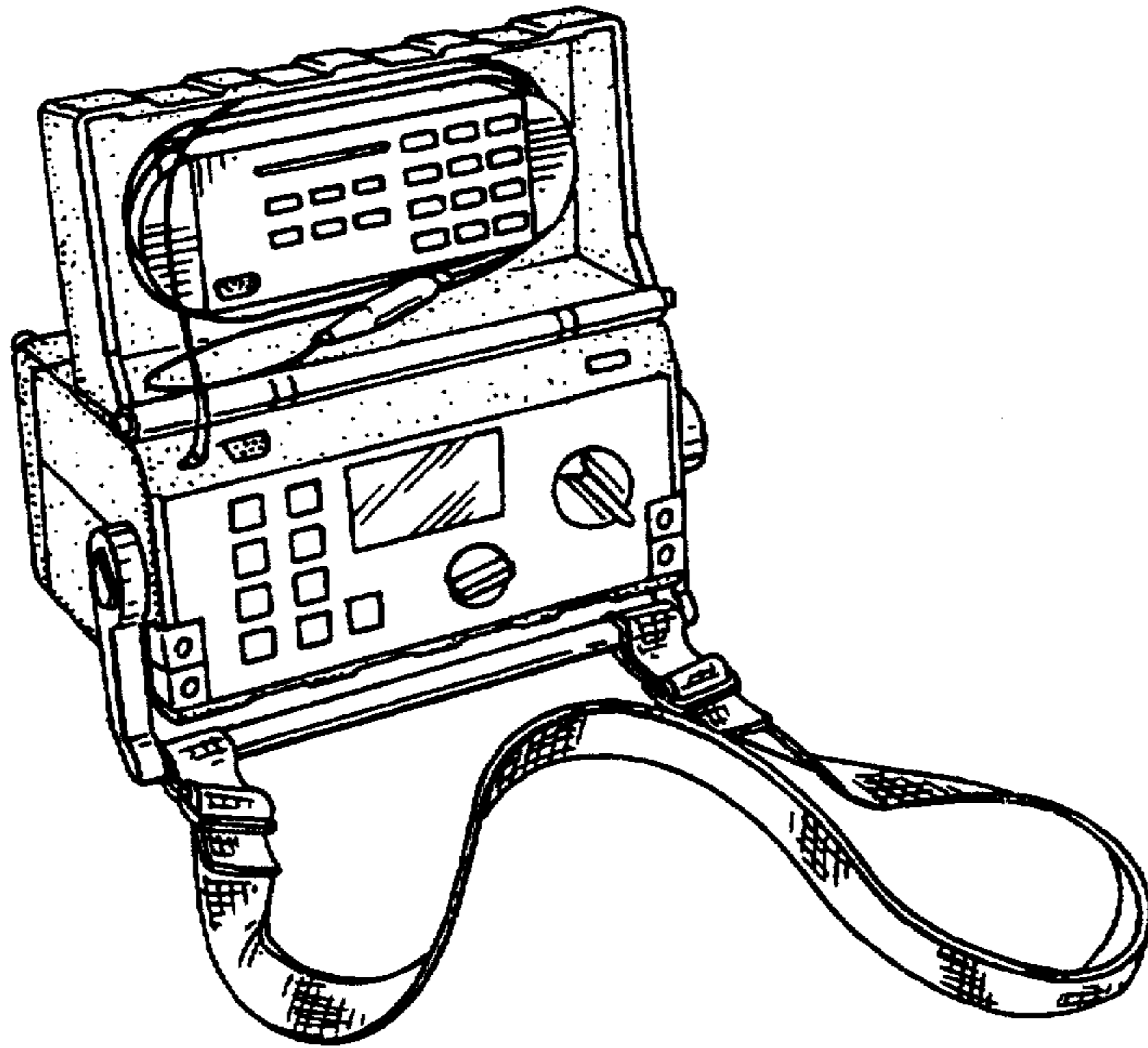


FIG. 5

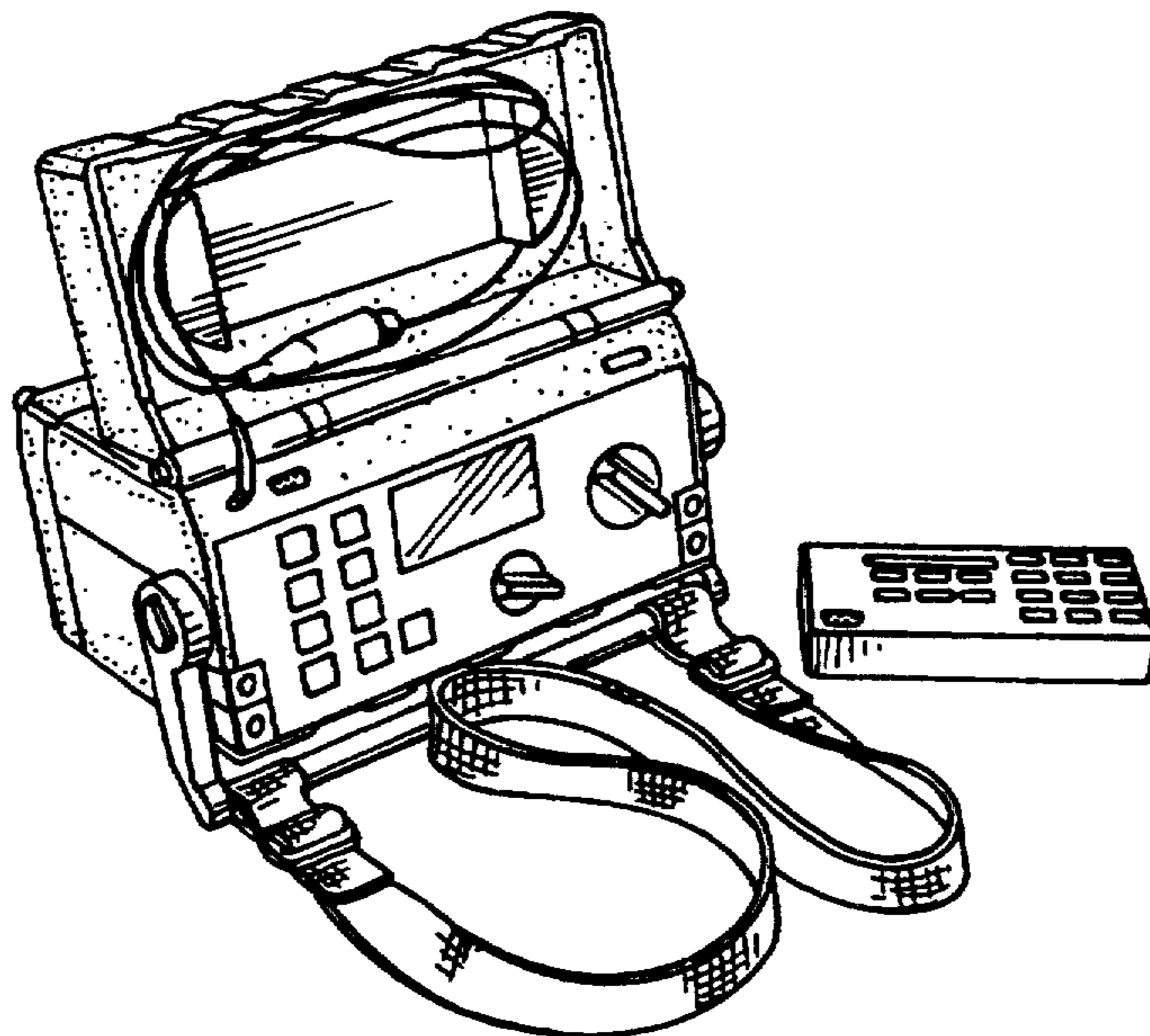


FIG. 6

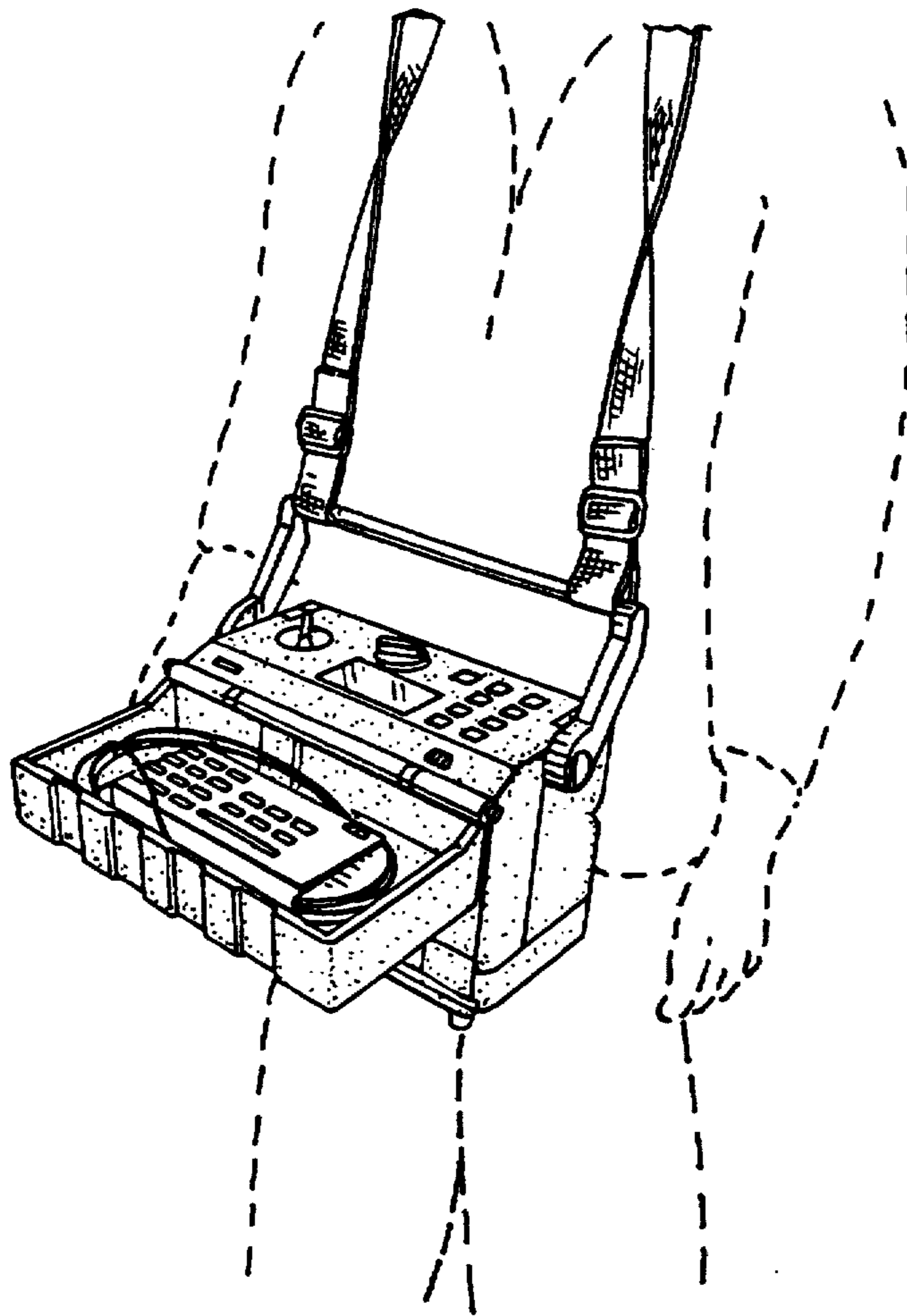


FIG. 7