



US00D351335S

United States Patent [19] Yazich

[11] Patent Number: **Des. 351,335**

[45] Date of Patent: **** Oct. 11, 1994**

[54] **DOUBLE-ENDED NAIL**

7506894 6/1975 Sweden .
10077 8/1891 United Kingdom 411/389

[76] Inventor: **Frederick A. Yazich, 2325 Corby Blvd., South Bend, Ind. 46615**

[**] Term: **14 Years**

[21] Appl. No.: **650,008**

[22] Filed: **Feb. 4, 1991**

[52] U.S. Cl. **D8/389; D8/391**

[58] Field of Search **D8/387, 389; 411/388, 411/389, 416, 426, 458, 460**

OTHER PUBLICATIONS

TRW two-way "blind" fastener brochure; double ended fastener (below quarter, left of center).

Primary Examiner—B. J. Bullock
Attorney, Agent, or Firm—Terry M. Gernstein

[57] **CLAIM**

The ornamental design for a double-ended nail, as shown and described.

[56] **References Cited**

U.S. PATENT DOCUMENTS

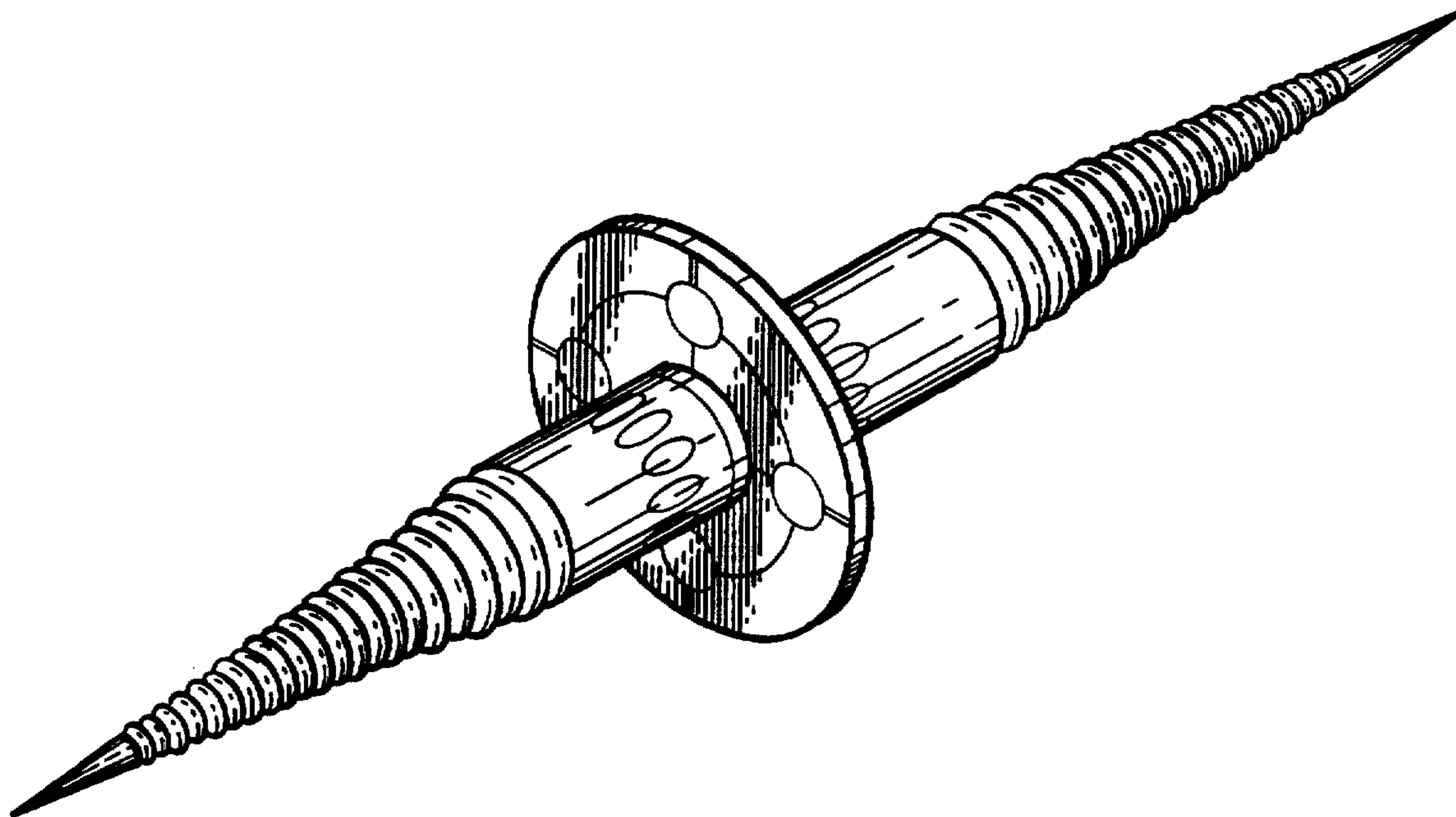
- 71,909 12/1867 Pierce 411/389
- 188,668 3/1877 Pleukharp 411/389
- 1,644,477 10/1927 Klaus 411/389

FOREIGN PATENT DOCUMENTS

- 505022 12/1954 Italy .

DESCRIPTION

FIG. 1 is a perspective view of a double-ended nail showing my new design of the present invention; FIG. 2 is a front elevational view thereof, the rear, top and bottom all being mirror images of the front shown in FIG. 2; and, FIG. 3 is an end elevational view thereof, the end opposite being a mirror image of the end shown in FIG. 3.



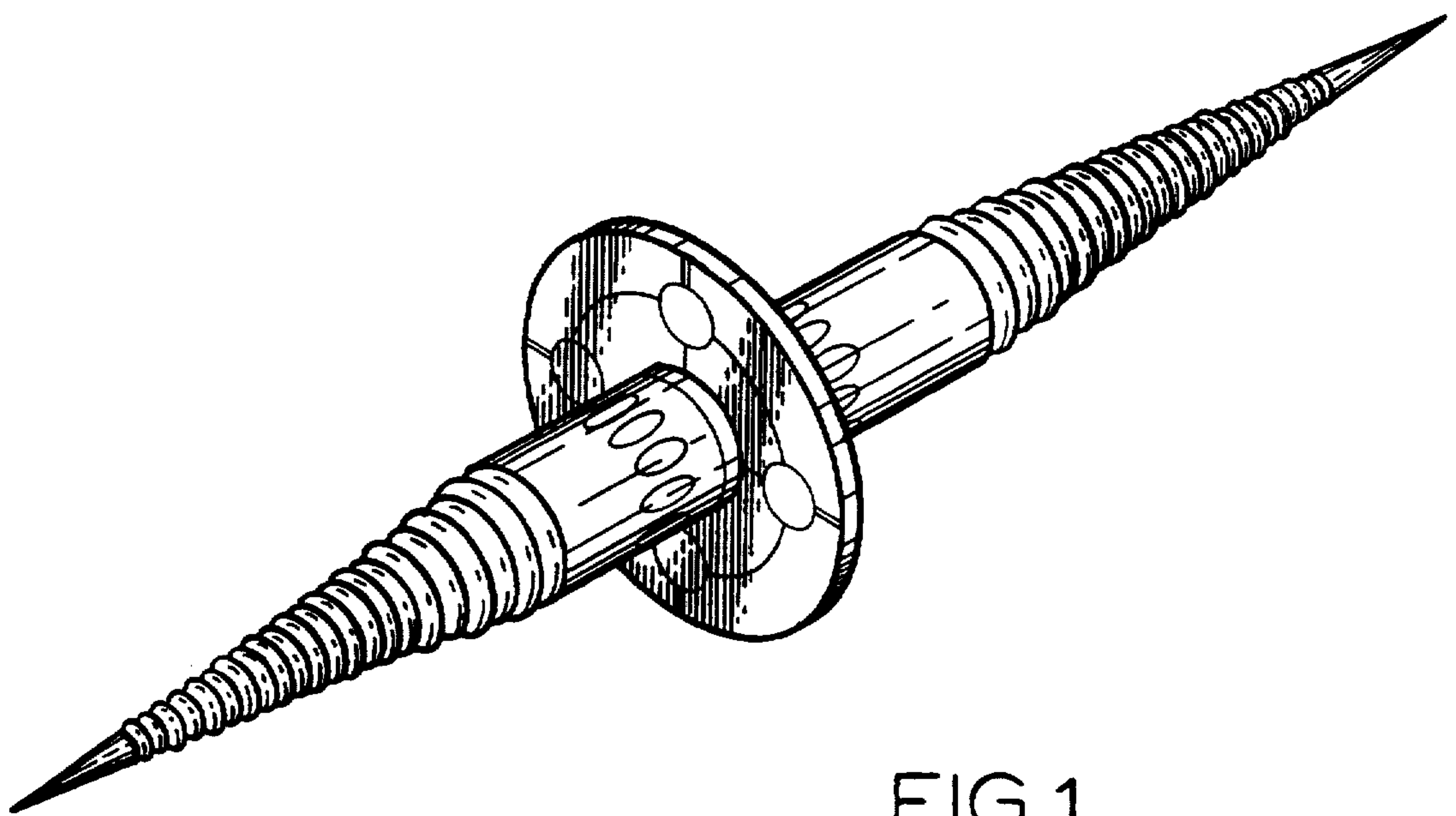


FIG.1

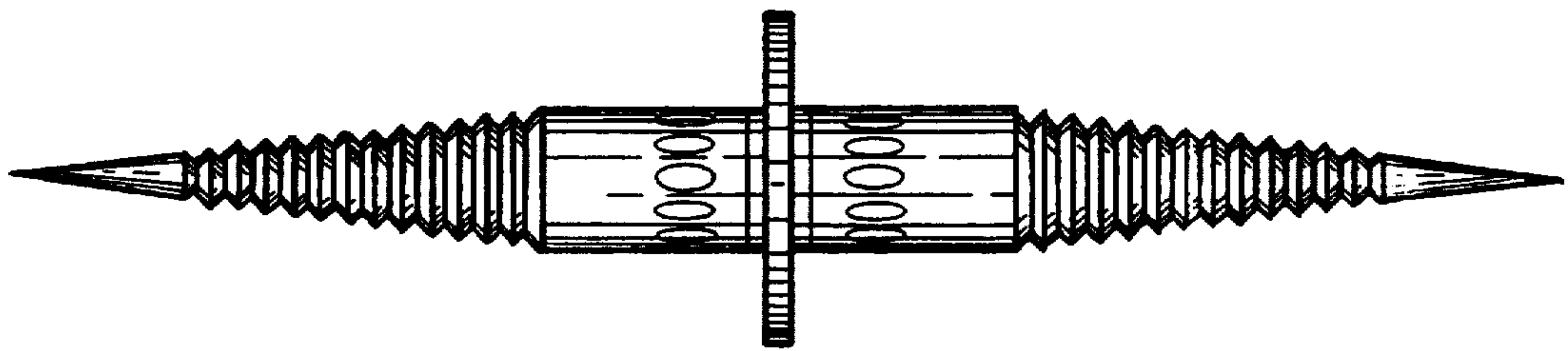


FIG. 2

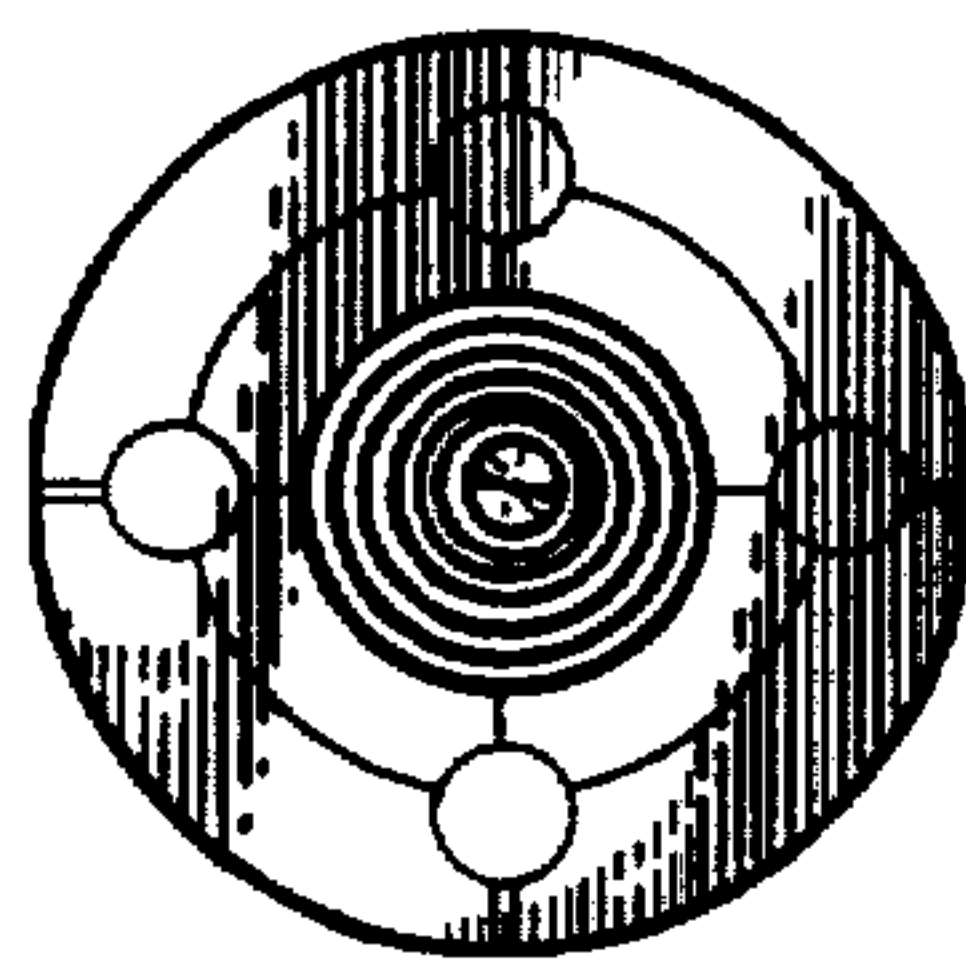


FIG. 3