



US00D351333S

United States Patent [19]

[11] Patent Number: Des. 351,333

Nelson et al.

[45] Date of Patent: ** Oct. 11, 1994

[54] WALL MOUNT HOSE REEL

[75] Inventors: Terry N. Nelson, Shoreview; Will Stageberg, Minneapolis, both of Minn.

[73] Assignee: The Specialty Mfg. Co., St. Paul, Minn.

[**] Term: 14 Years

[21] Appl. No.: 8,618

[22] Filed: May 20, 1993

[52] U.S. Cl. D8/359

[58] Field of Search D8/358-359; 242/86.1, 107.4 R, 77; 137/355.26-355.27

[56] References Cited

U.S. PATENT DOCUMENTS

D. 294,455	3/1988	Nelson	D8/359
D. 297,302	8/1988	Nelson	D8/359
D. 312,204	11/1990	Nelson	D8/358
4,813,627	3/1989	Nelson	.	
5,056,553	10/1991	Whitehead et al.	242/86 X

OTHER PUBLICATIONS

Ames Catalog, Jun. 1989, p. 2, hose reel-model B 23-885 located in the upper right hand corner.

Melnor Catalog, Sep. 1990, p. 3, hose reel, located at top left side of page.

Primary Examiner—Wallace R. Burke

Assistant Examiner—H. Baynham

Attorney, Agent, or Firm—Patterson & Keough

[57] CLAIM

The ornamental design for a wall mount hose reel, as shown.

DESCRIPTION

FIG. 1 is a front perspective view of a wall mount hose reel showing our design;

FIG. 2 is a left side elevational view thereof;

FIG. 3 is a bottom plan view thereof;

FIG. 4 is a top plan view thereof;

FIG. 5 is a right side elevational view thereof;

FIG. 6 is a front elevational view thereof; and,

FIG. 7 is a rear elevational view thereof.

The hose element is shown broken away in FIG. 1-5 to indicate indeterminate length.

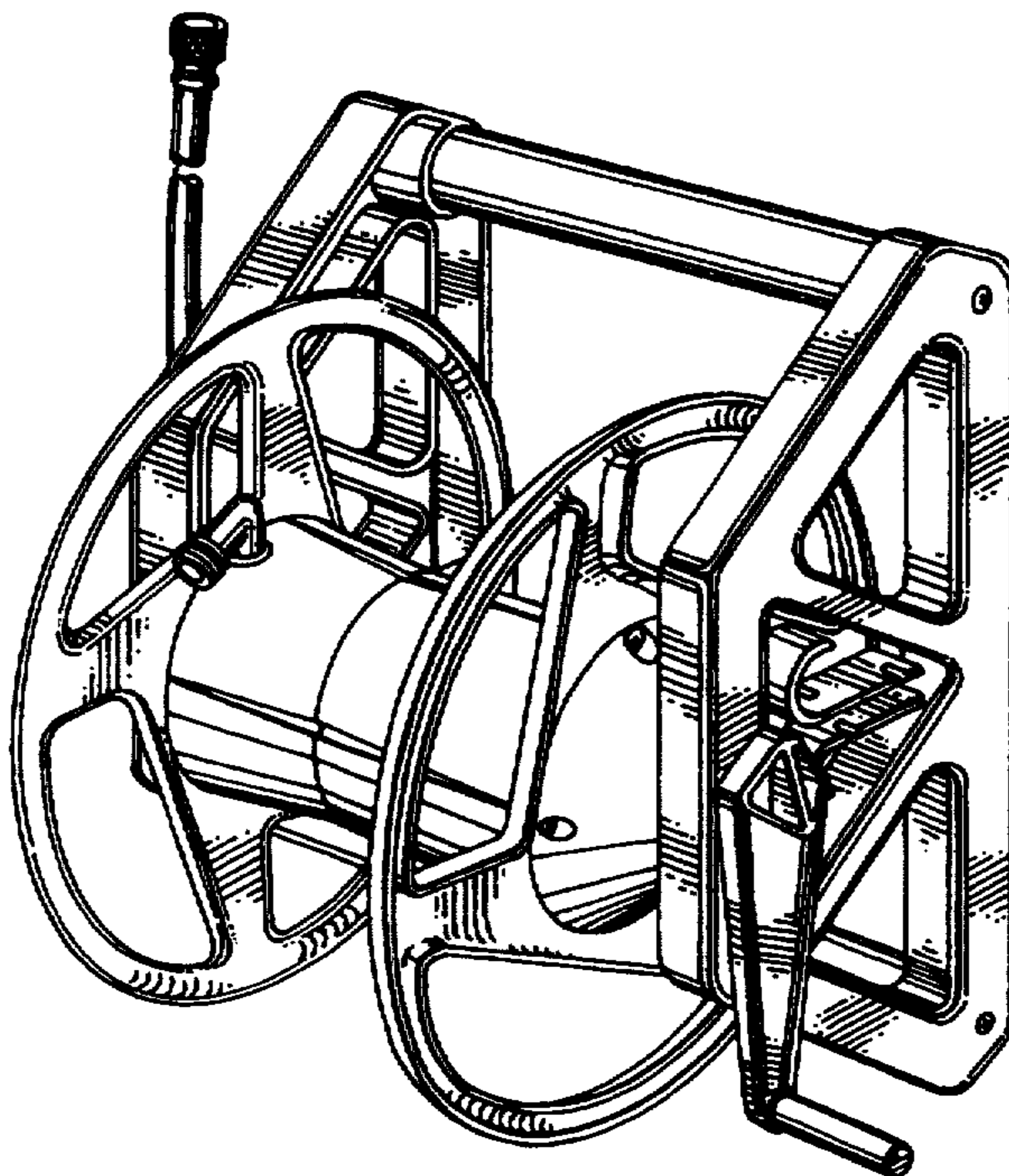


Fig. 1

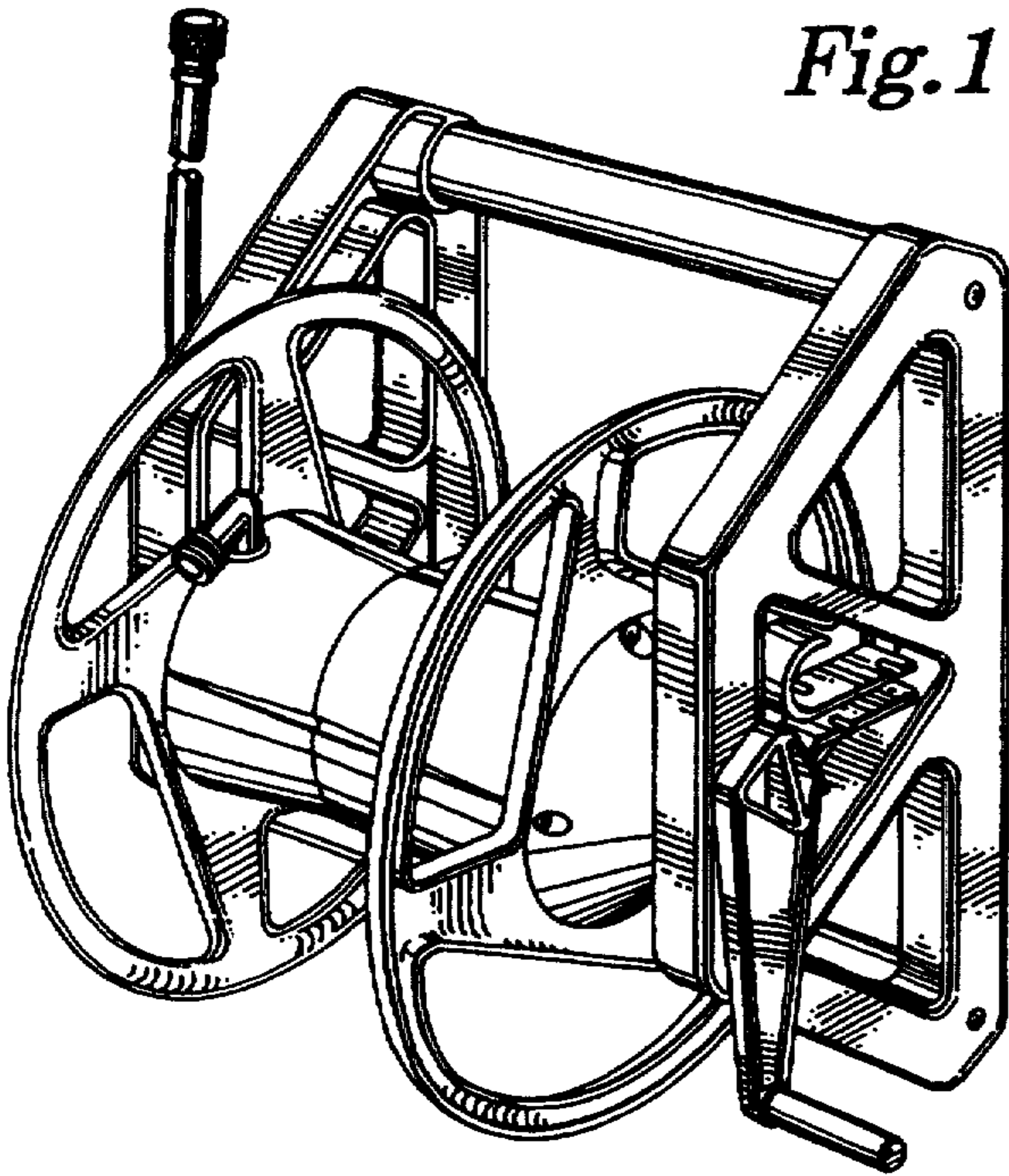


Fig. 2

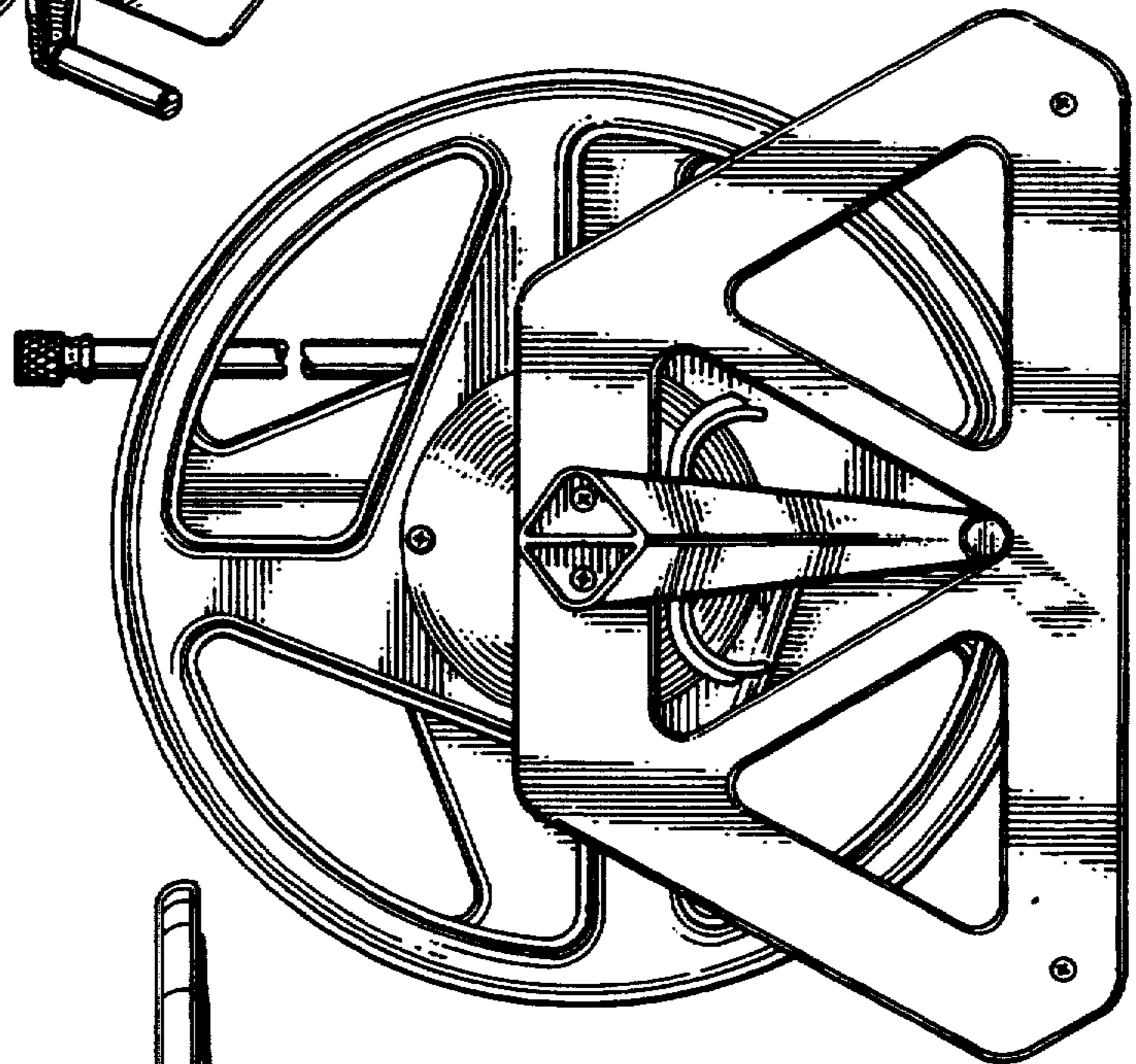
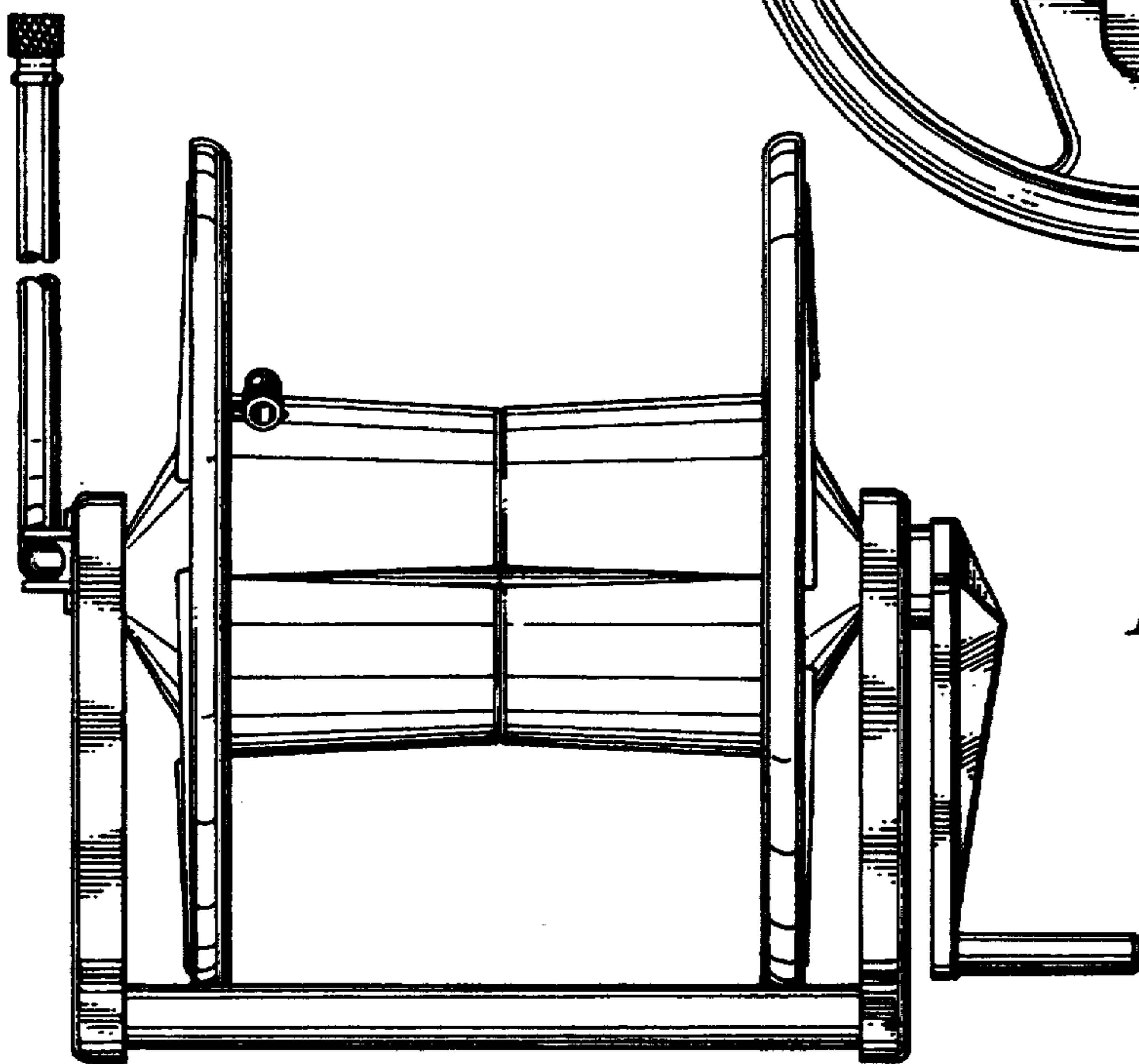


Fig. 3



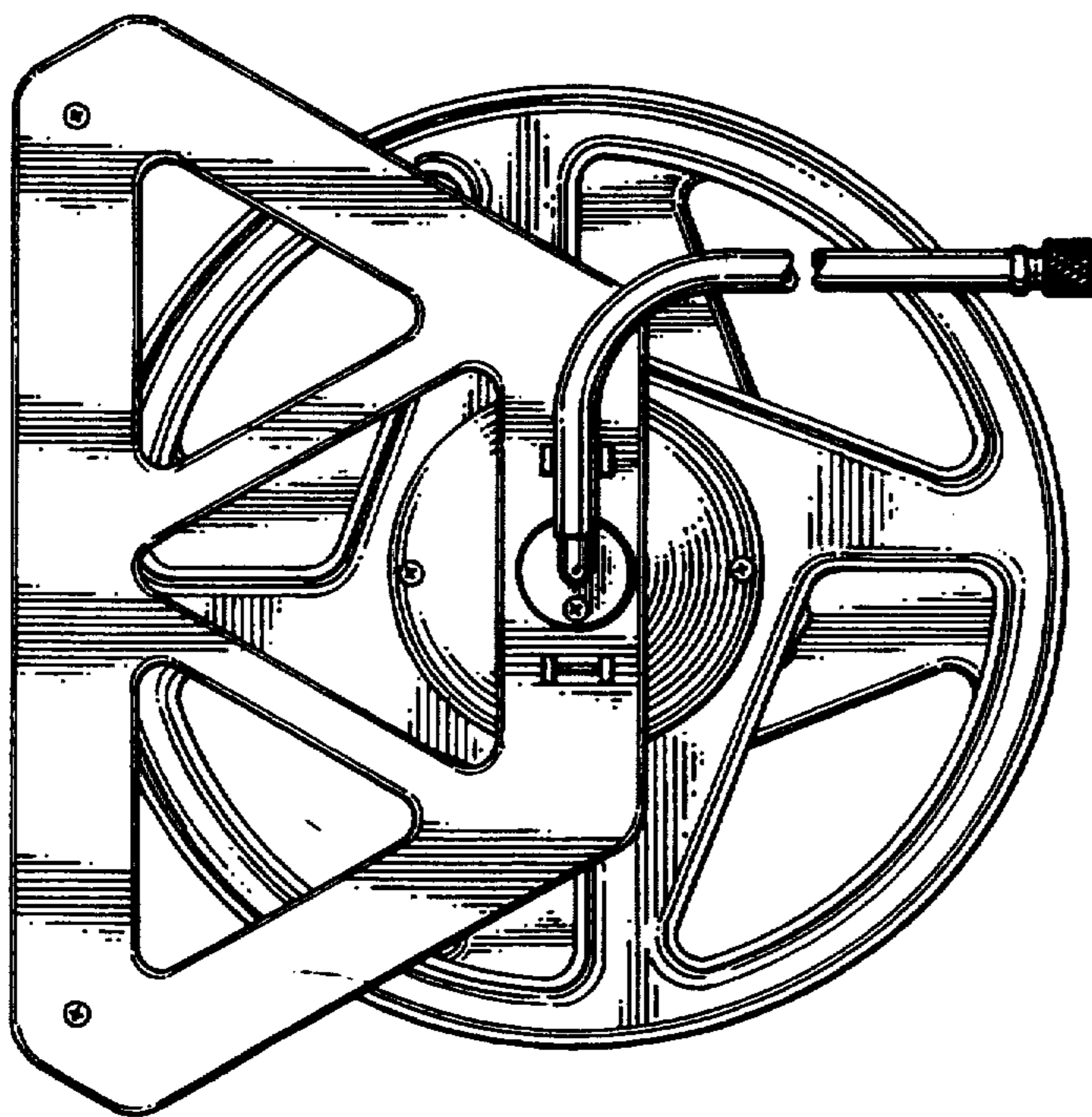
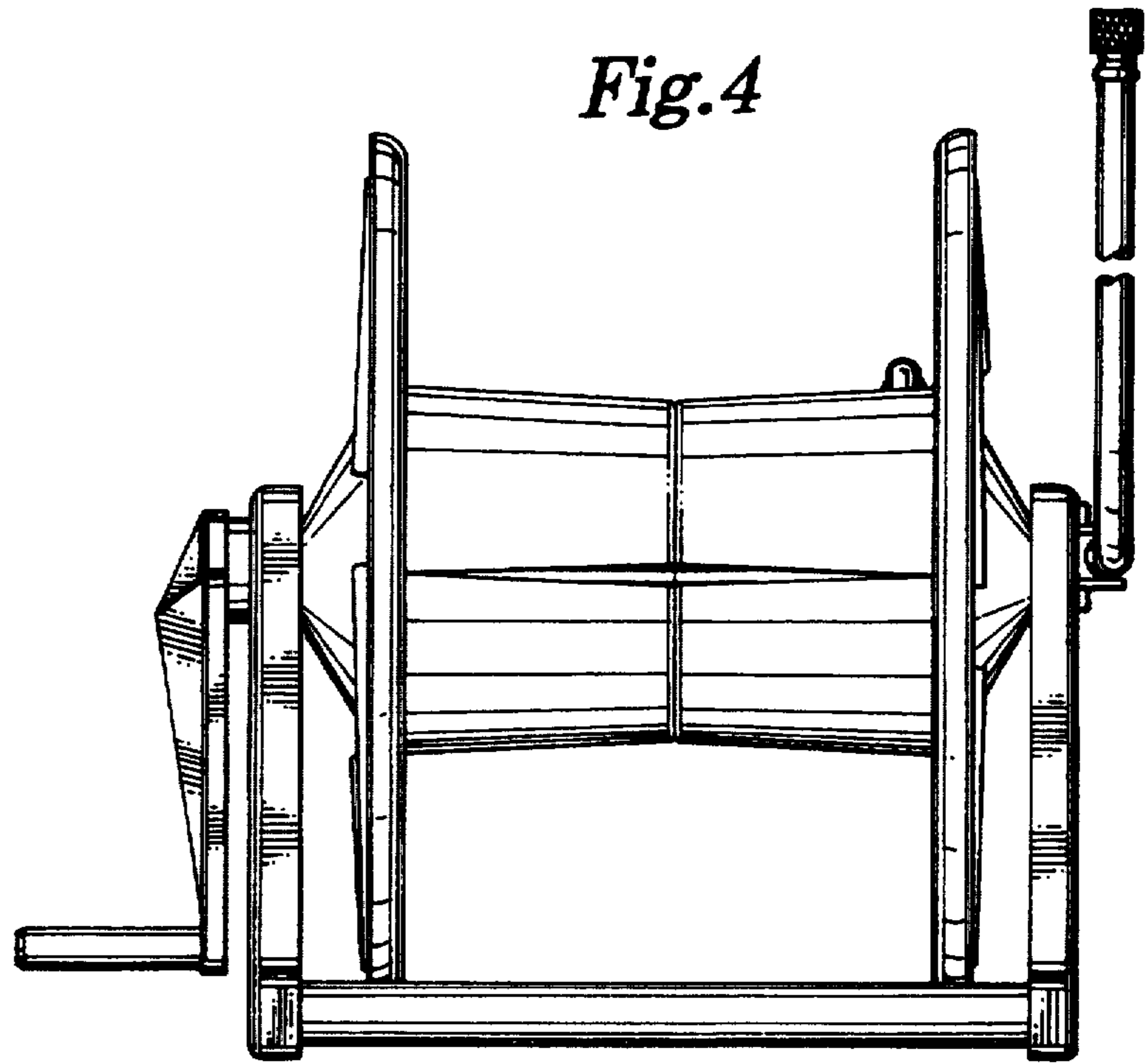


Fig.5

Fig. 6

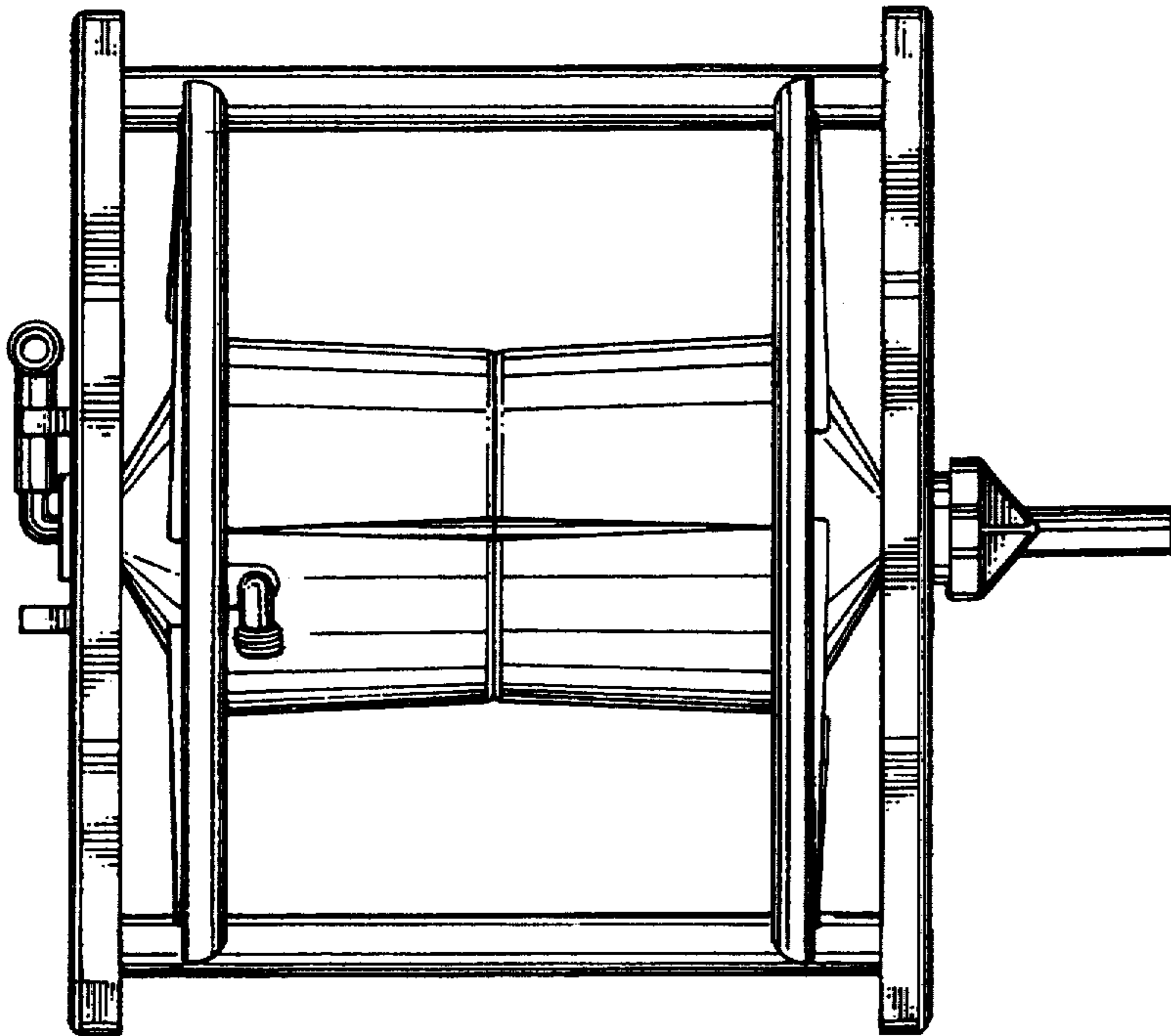


Fig. 7

