



US00D351318S

United States Patent [19]

[11] Patent Number: Des. 351,318

Wedi

[45] Date of Patent: ** Oct. 11, 1994

[54] COMBINED PORTABLE HEAT INSULATED COOLER AND WARMER

[76] Inventor: **Heiner Wedi**, Rheiner Strasse 45, 4407 Emsdetten, Fed. Rep. of Germany

[**] Term: **14 Years**

[21] Appl. No.: **5,446**

[22] Filed: **Mar. 5, 1993**

[30] Foreign Application Priority Data

Jan. 23, 1993 [DE] Fed. Rep. of Germany 9300414

[52] U.S. Cl. **D7/605**

[58] Field of Search **D7/605-608, D7/323; 62/457.1, 457.7, 371, 432, 430**

[56] References Cited

U.S. PATENT DOCUMENTS

D. 206,317 11/1966 Moglin D7/605

OTHER PUBLICATIONS

HKE, May 1986, p. 61, Cooler, bottom page, middle.

Primary Examiner—Terry A. Wallace
Attorney, Agent, or Firm—Tarolli, Sundheim & Covell

[57] CLAIM

The ornamental design for combined portable heat insulated cooler and warmer, as shown.

DESCRIPTION

FIG. 1 is a perspective view of a combined portable heat insulated cooler and warmer showing my new design;

FIG. 2 is a rear elevational view thereof;

FIG. 3 is a front elevational view thereof;

FIG. 4 is a top plan view thereof;

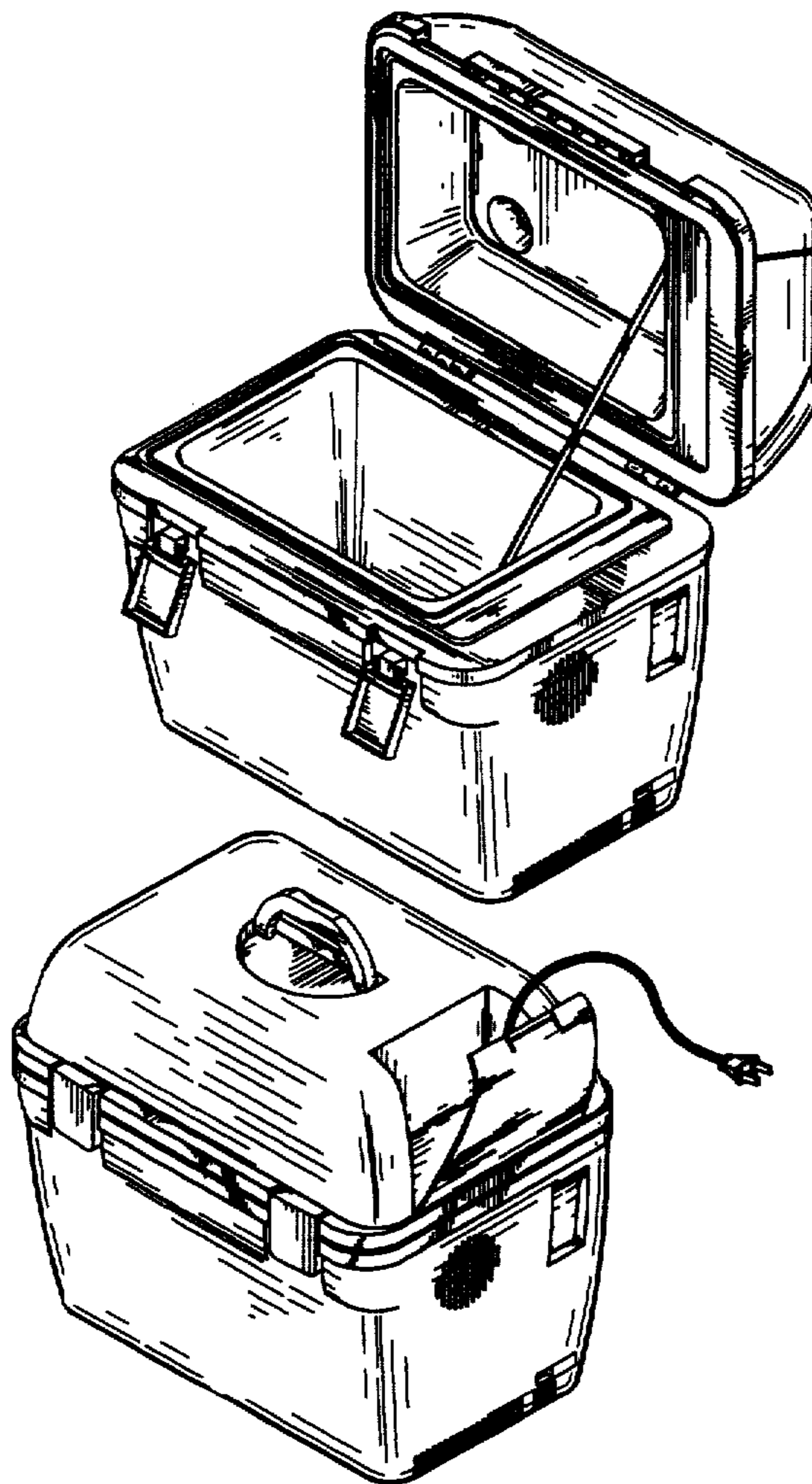
FIG. 5 is a bottom plan view thereof;

FIG. 6 is a right side elevational view thereof;

FIG. 7 is a left side elevational view thereof;

FIG. 8 is a perspective view thereof in an open position; and,

FIG. 9 is a perspective view thereof with the panel in the upper portion in an open position.



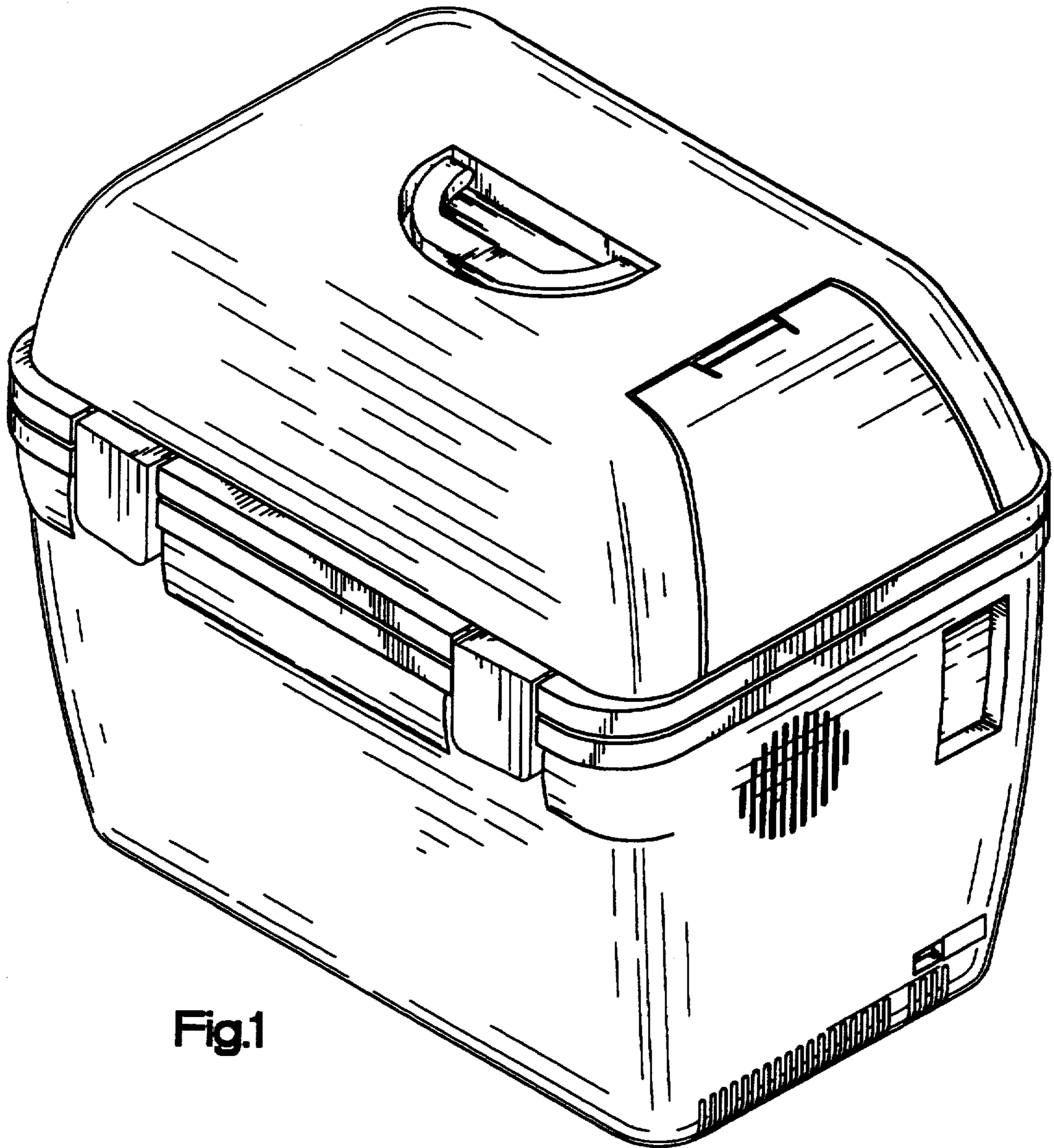


Fig.1

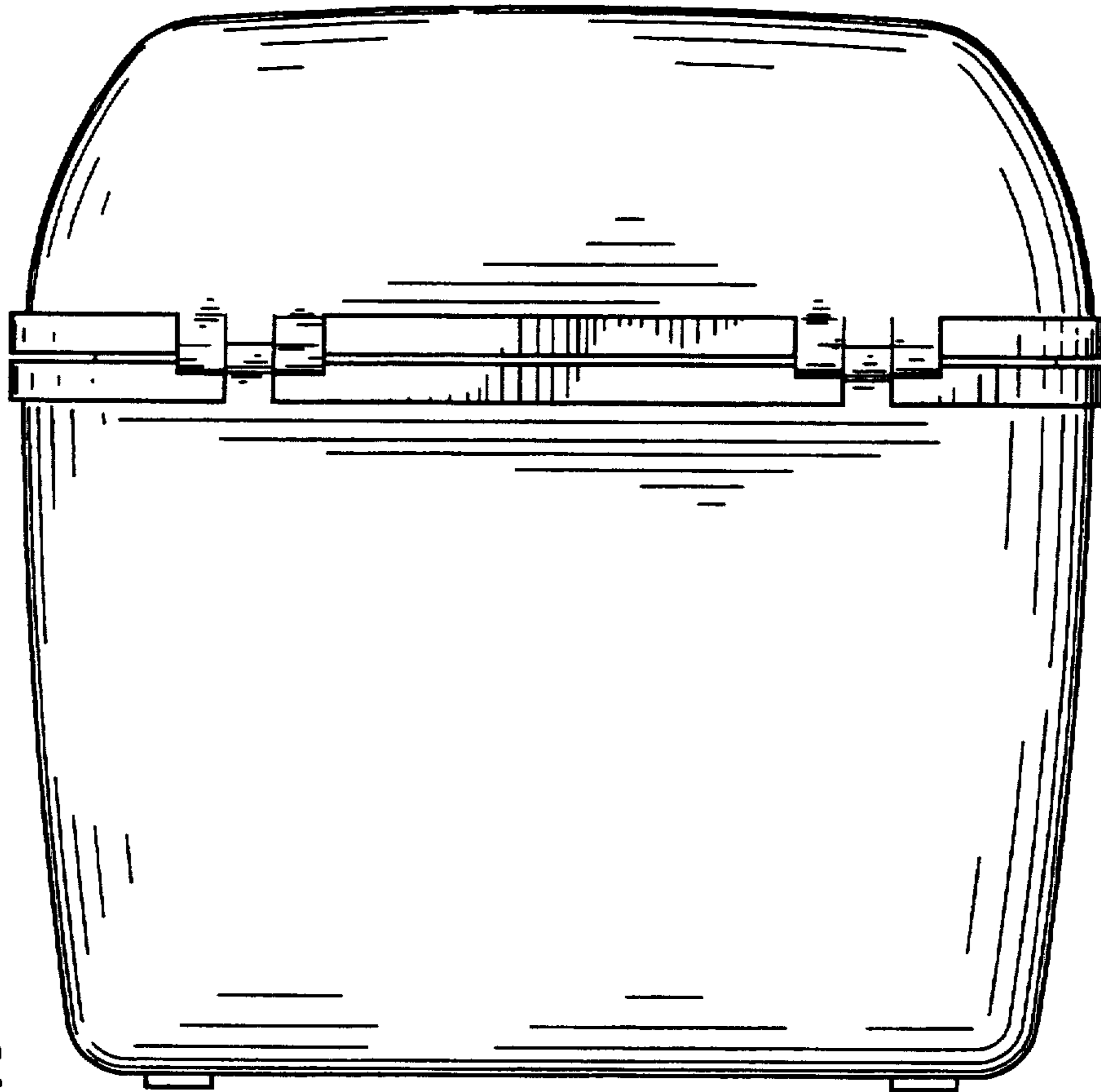


Fig.2

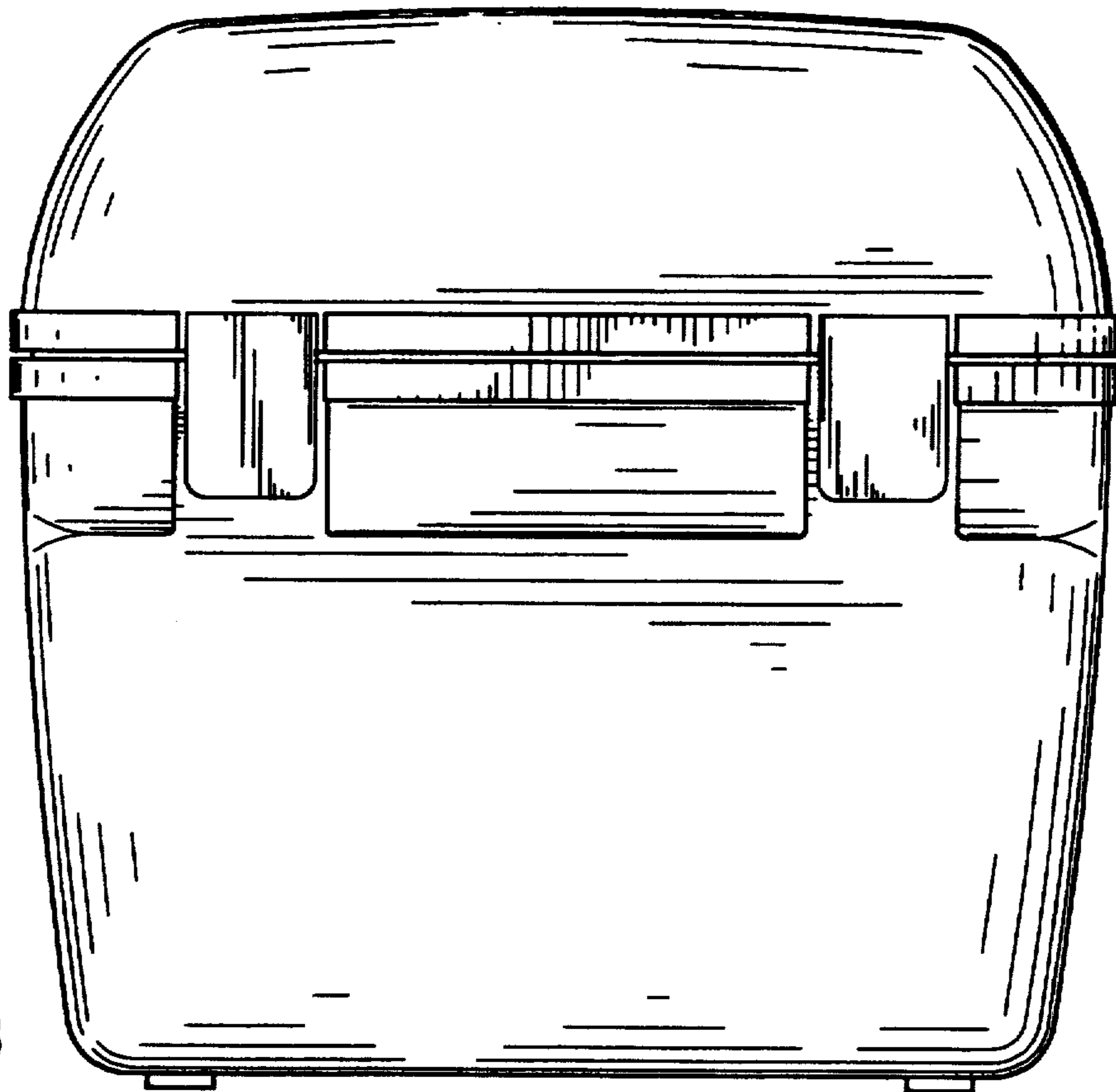


Fig.3

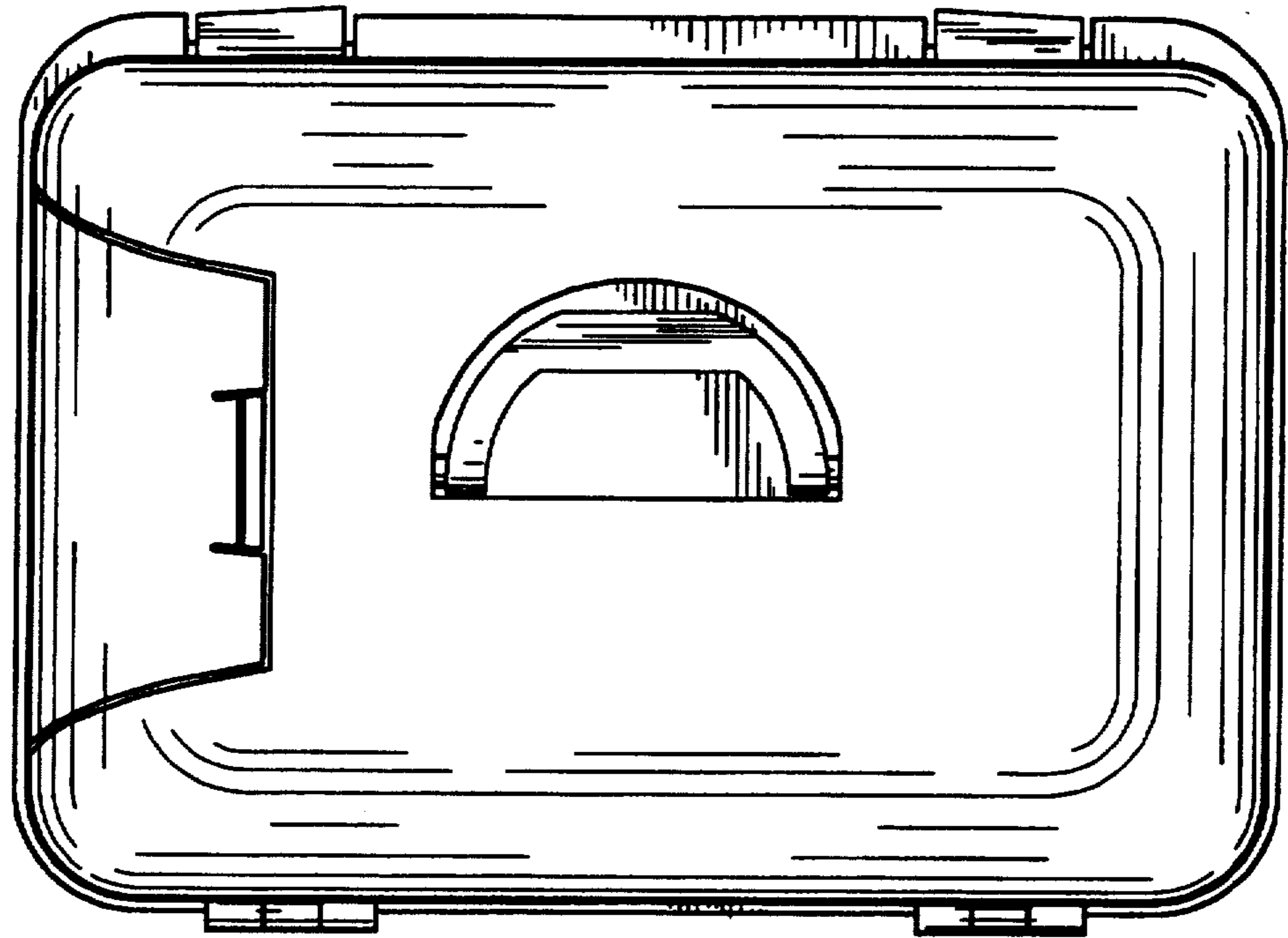


Fig.4

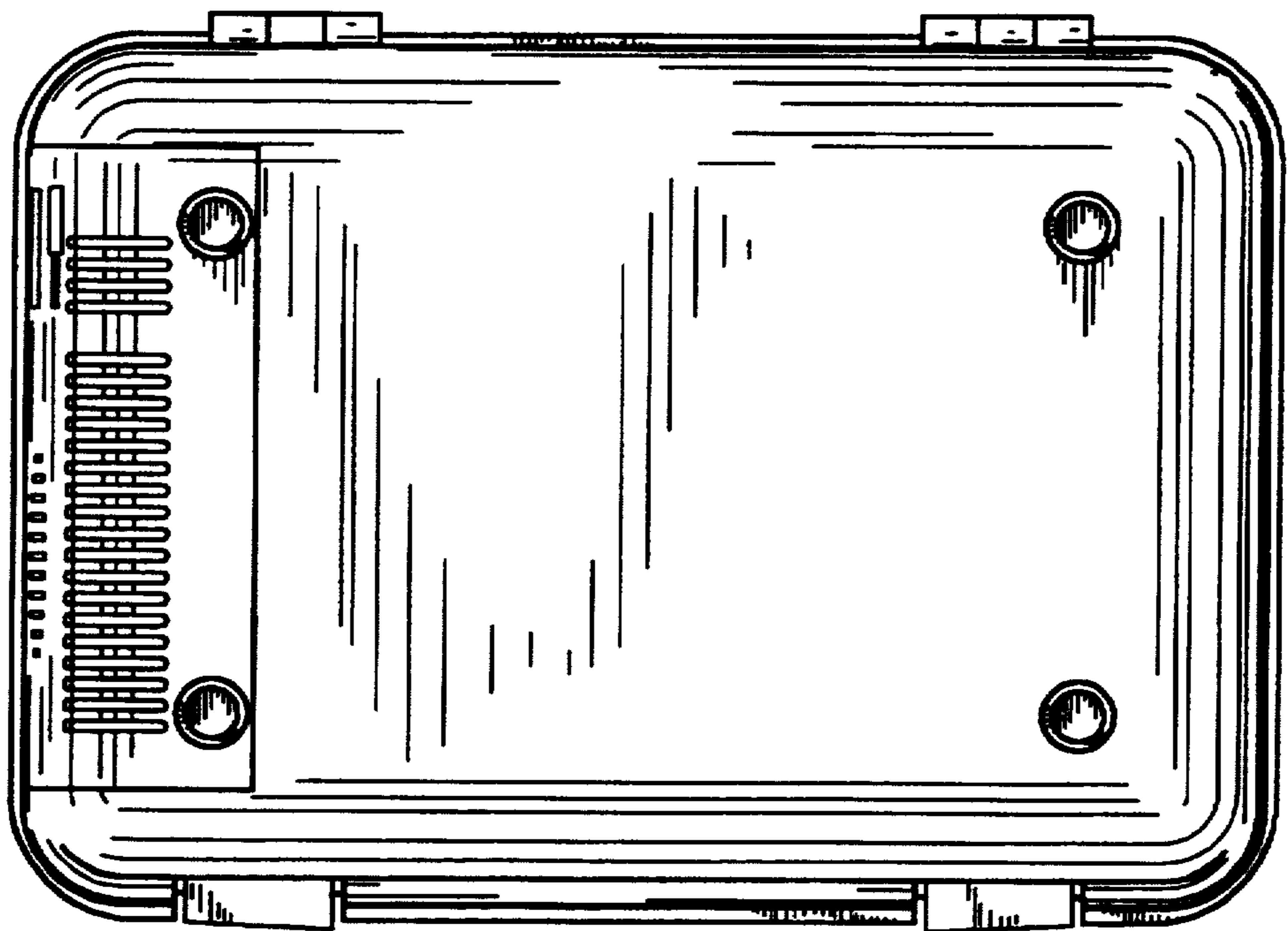


Fig.5

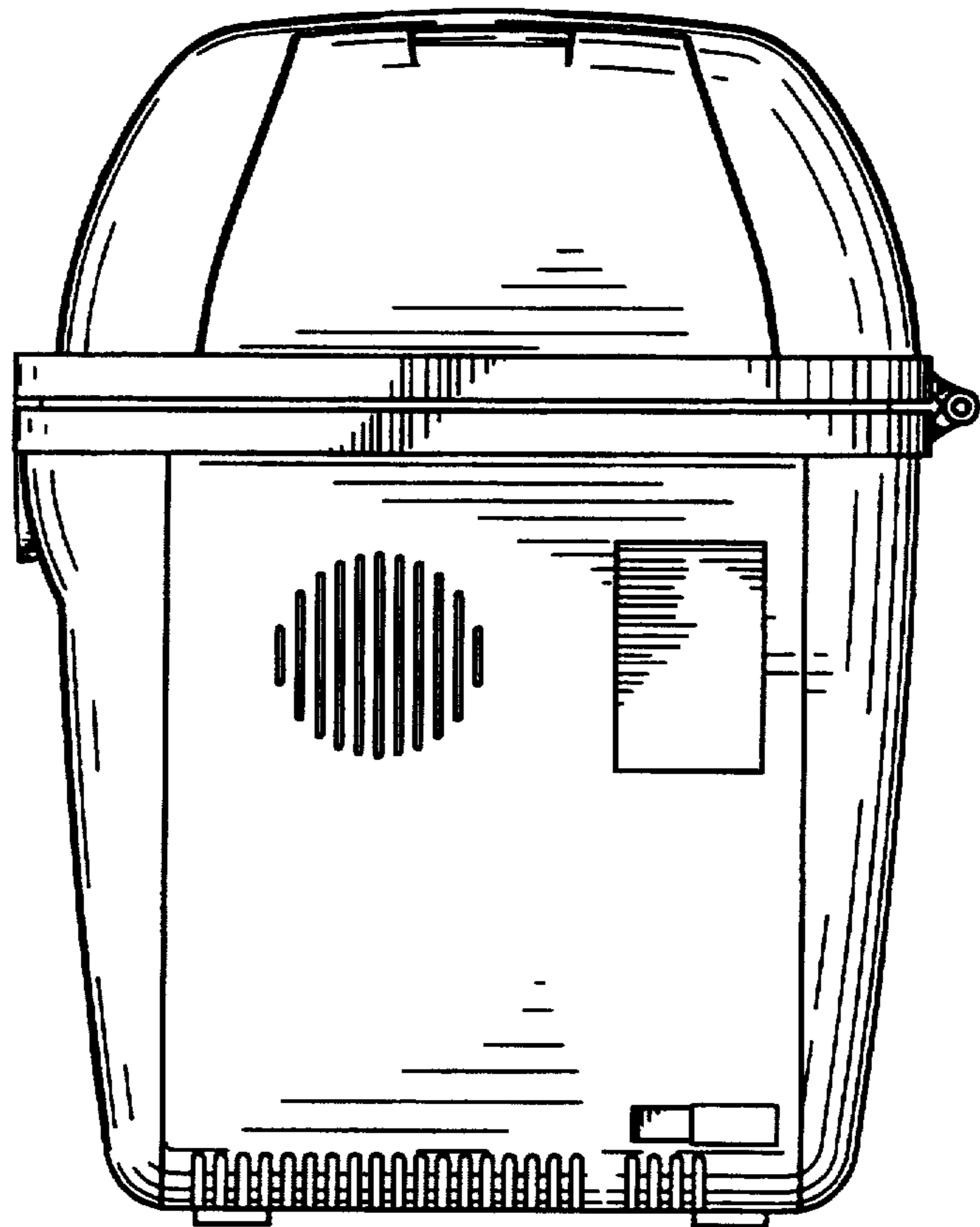


Fig.6

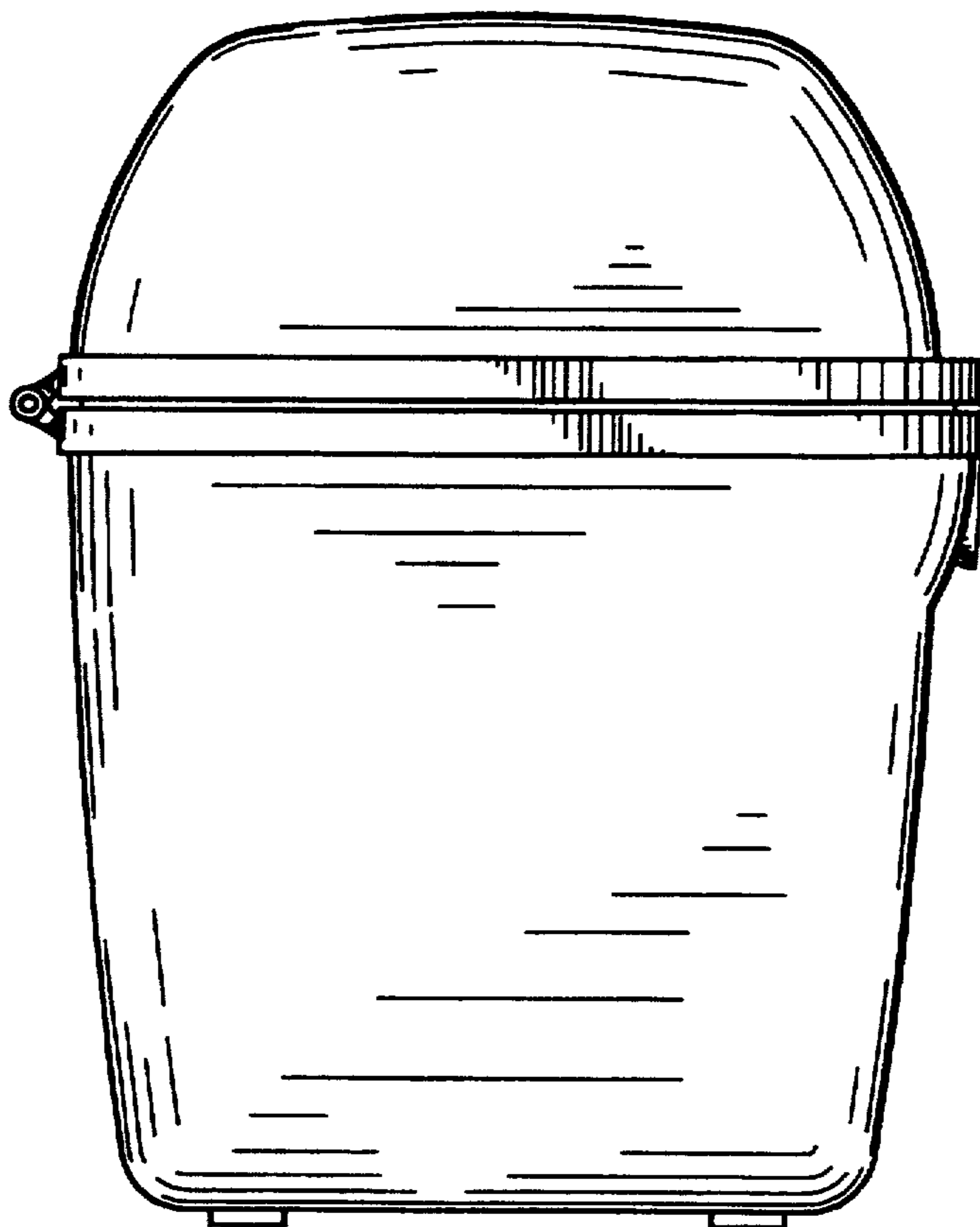


Fig.7

Fig.8

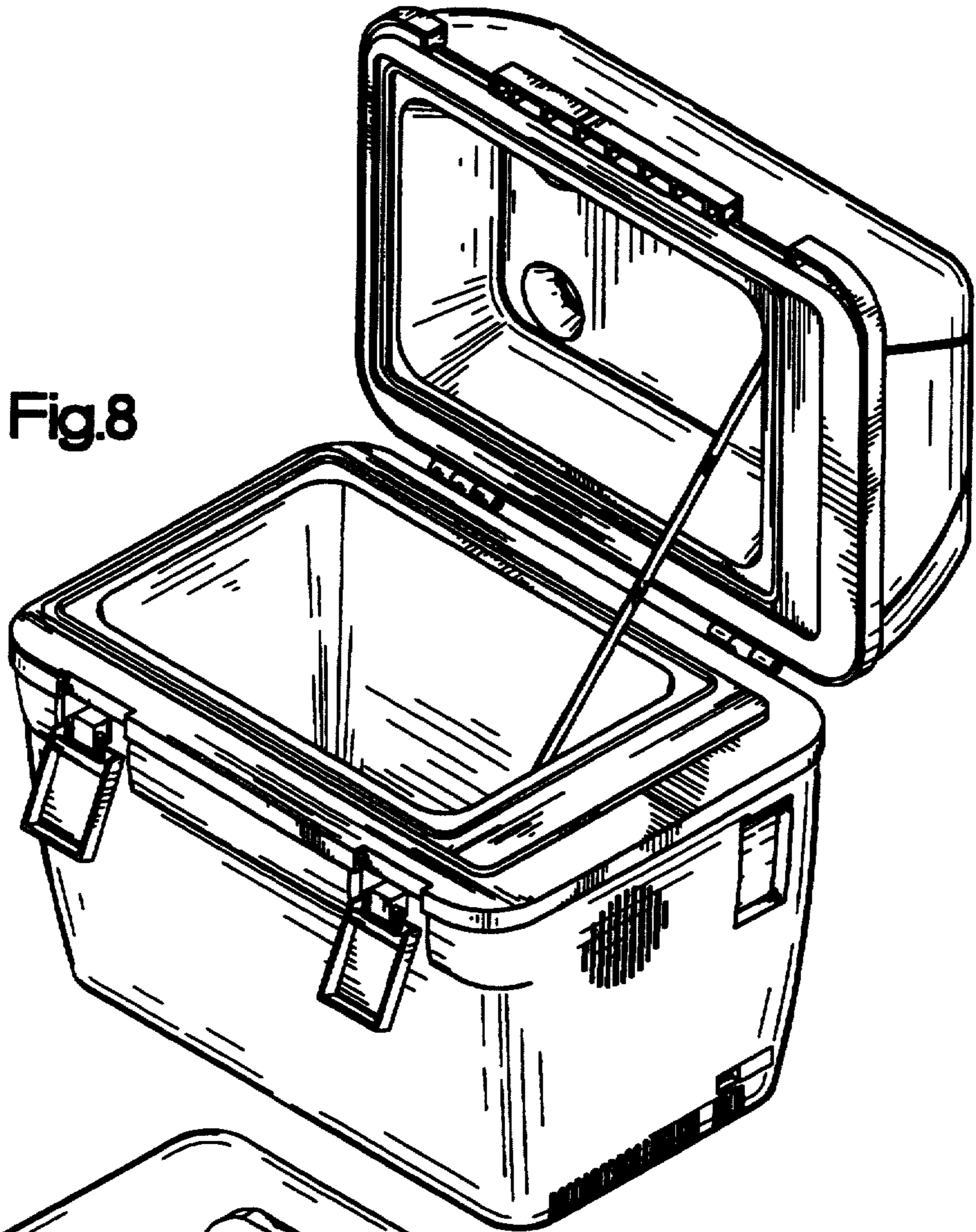
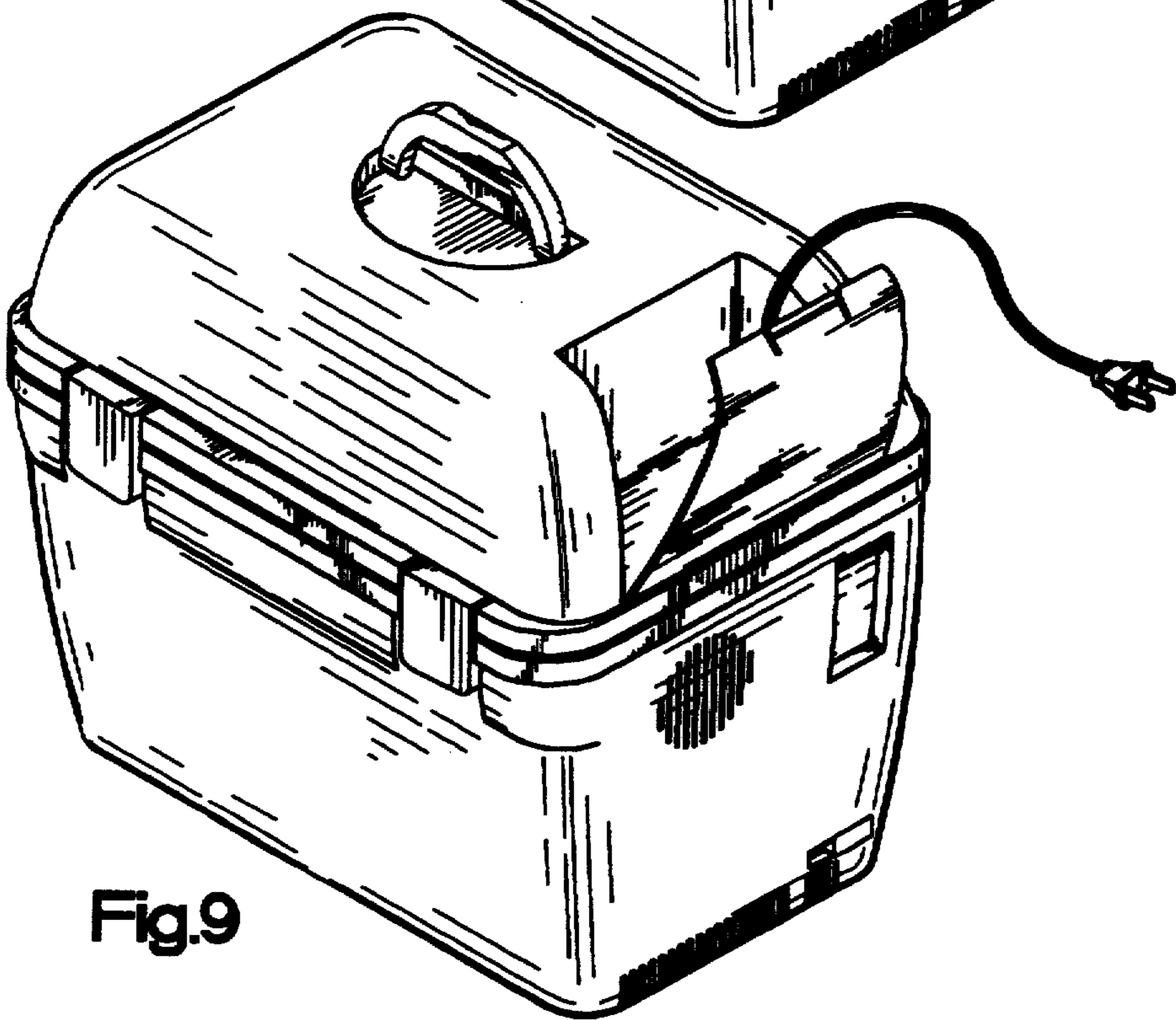


Fig.9



UNITED STATES PATENT AND TRADEMARK OFFICE
CERTIFICATE OF CORRECTION

PATENT NO. : Des. 351,318
DATED : October 11, 1994
INVENTOR(S) : Heiner Wedi

It is certified that error appears in the above-identified patent and that said Letters Patent is hereby

corrected as shown below:

Col. 2, line 1,

Cover Page, under section titled "Claim", after "for" insert --a--.

Col. 2, line 2,

Cover Page, under section titled "Claim", after "shown" insert --and described--.

Signed and Sealed this

Fourteenth Day of February, 1995

Attest:



BRUCE LEHMAN

Attesting Officer

Commissioner of Patents and Trademarks