



US00D351313S

# United States Patent [19]

[11] Patent Number: **Des. 351,313**

**Giard, Jr.**

[45] Date of Patent: **\*\* Oct. 11, 1994**

[54] **WATER BOTTLE**

[75] Inventor: **Edward H. Giard, Jr., Naperville, Ill.**

[73] Assignee: **Icon, Inc., Naperville, Ill.**

[\*\*] Term: **14 Years**

[21] Appl. No.: **7,134**

[22] Filed: **Apr. 15, 1993**

[52] U.S. Cl. .... **D7/510; D7/511; D9/539**

[58] Field of Search ..... **D7/500, 503, 505, 507, D7/522, 523, 524, 528, 536, 537, 513, 533, 535, 396.2, 396.3, 510, 511, 512, 391, 392.1; D9/502, 539, 557, 538, 526, 531, 447, 446, 543, 436, 434; 220/705, 737, 716, 717; 215/1 A; D12/114; D24/197, 198**

D. 337,274 7/1993 Thatcher ..... D9/539

D. 337,939 8/1993 Smith, Jr. .... D9/539 X

D. 339,068 9/1993 Bell et al. .... D9/446 X

D. 339,503 9/1993 Callaway ..... D7/510

D. 340,217 10/1993 Delage et al. .... D9/543 X

D. 340,413 10/1993 Emig ..... D9/502

4,345,704 8/1982 Boughton ..... 220/737 X

*Primary Examiner*—Alan P. Douglas  
*Assistant Examiner*—M. N. Pandozzi  
*Attorney, Agent, or Firm*—Welsh & Katz Ltd.

### [57] CLAIM

The ornamental design for a water bottle, as shown and described.

### DESCRIPTION

FIG. 1 is a front perspective view of the water bottle of the subject inventive design;  
 FIG. 2 is a side view of the water bottle of FIG. 1, the opposite side being identical;  
 FIG. 3 is a top plan view of the water bottle of the subject inventive design; and,  
 FIG. 4 is a bottom plan view of the water bottle of the subject invention design.

[56] **References Cited**  
**U.S. PATENT DOCUMENTS**

D. 312,878 12/1990 Mariol ..... D9/538 X

D. 315,409 3/1991 Baarber ..... D9/502 X

D. 315,678 3/1991 Darr ..... D9/538

D. 332,215 1/1993 Halvorson ..... D7/511 X

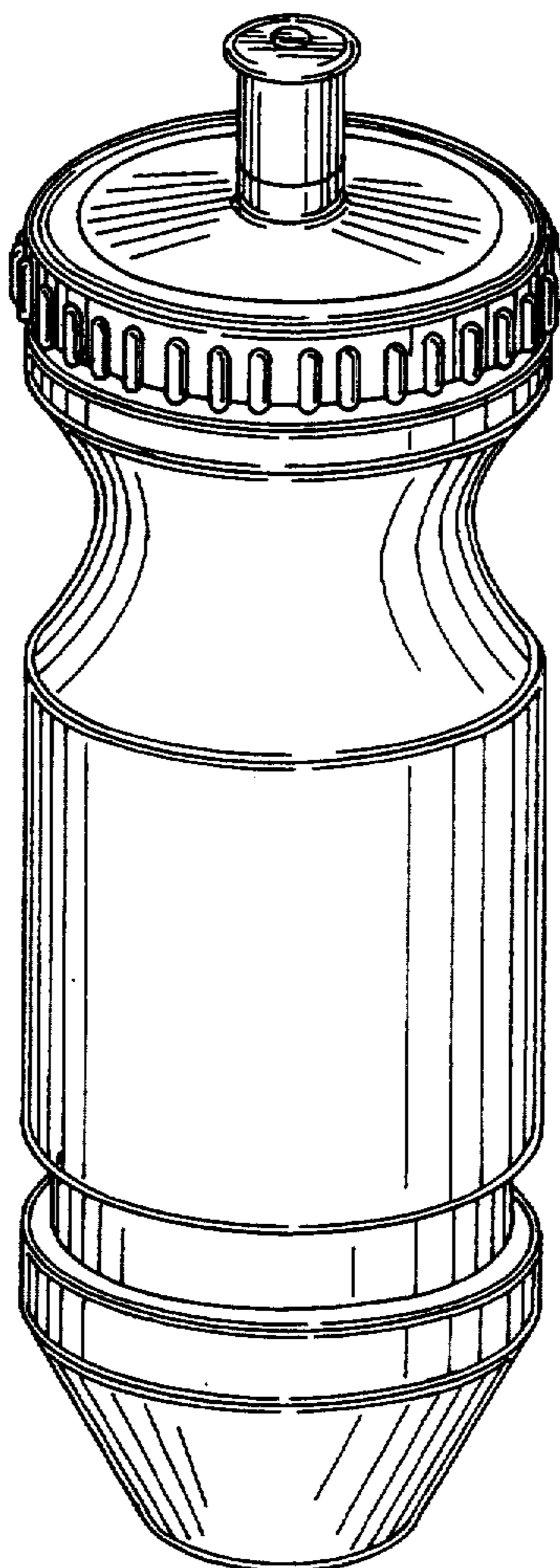


FIG. 1

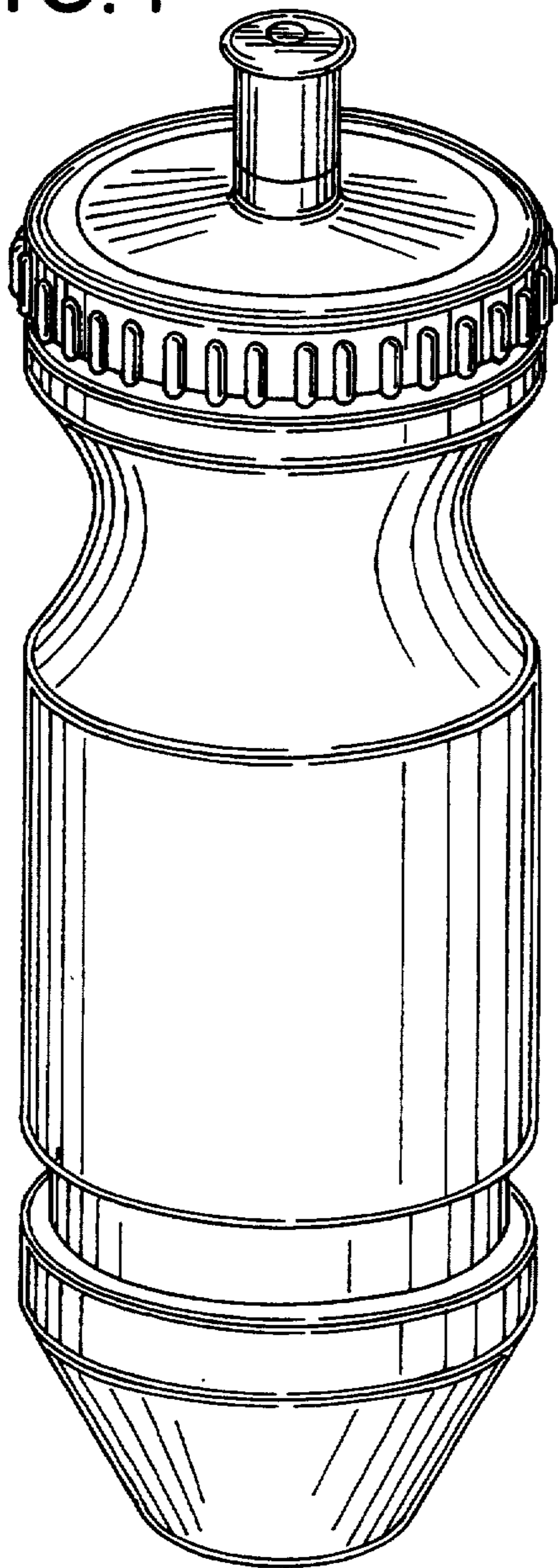


FIG. 2

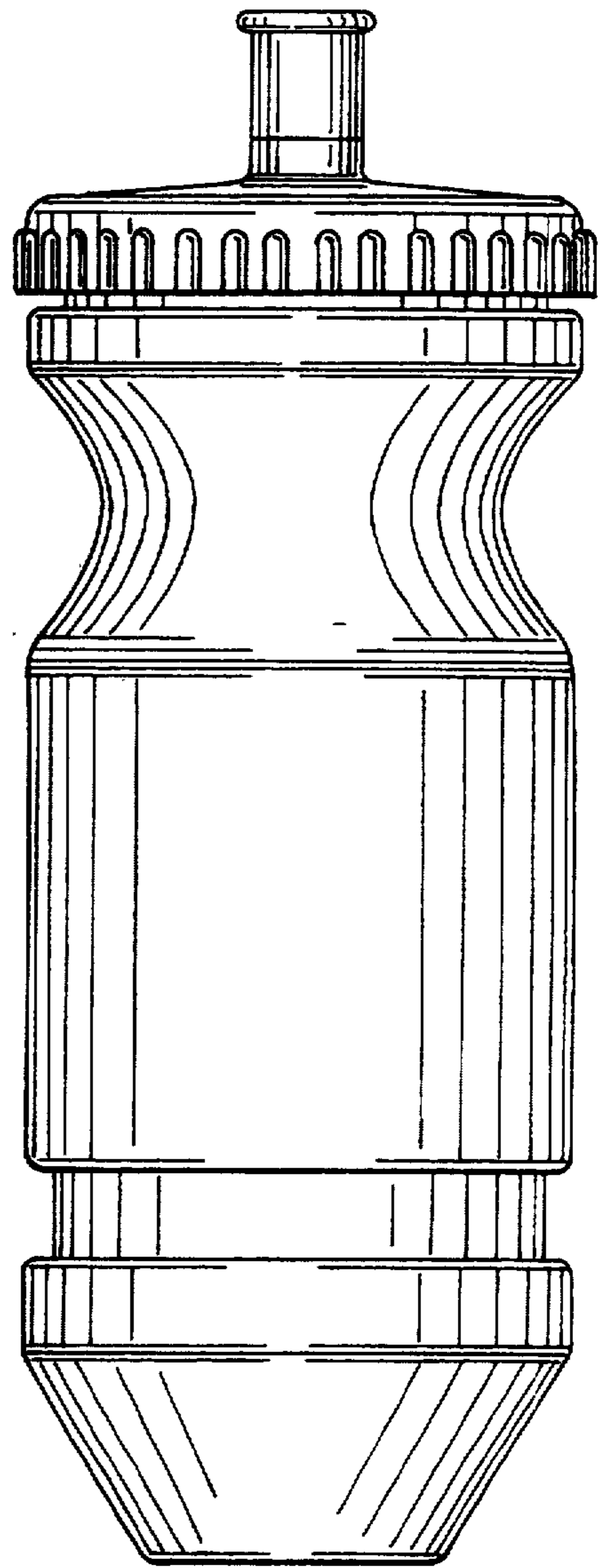


FIG. 3

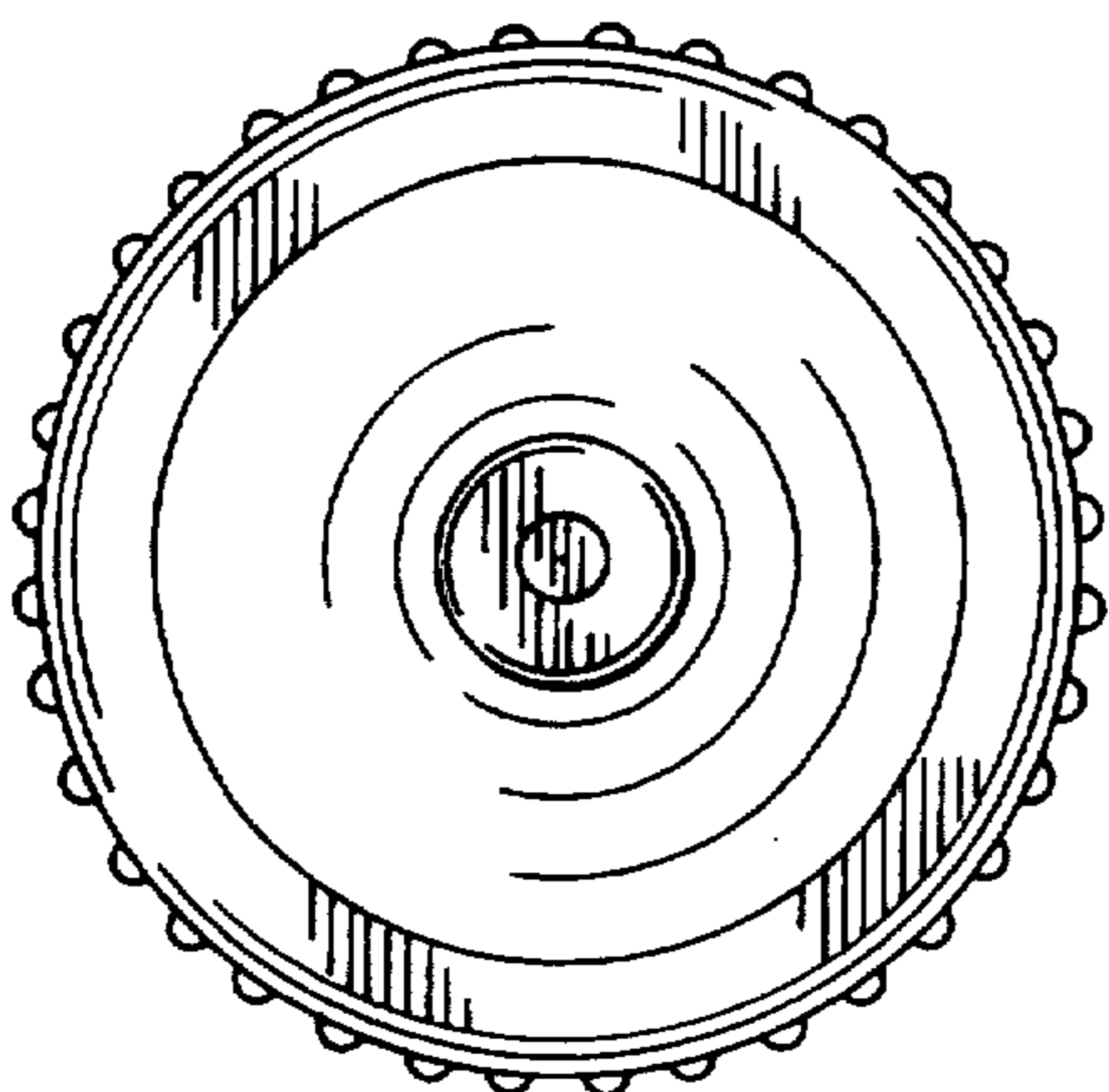


FIG. 4

