



US00D351312S

United States Patent [19]

[11] Patent Number: **Des. 351,312**

Sharon et al.

[45] Date of Patent: **** Oct. 11, 1994**

[54] **DRINK CONTAINER**

[76] Inventors: **Arie N. Sharon**, 1322 N. Park Dr., Richardson, Tex. 75081; **Glenn M. Clegg**, 302 Jessica Dr., Garland, Tex. 75040

[**] Term: **14 Years**

[21] Appl. No.: **1,435**

[22] Filed: **Nov. 13, 1992**

[52] U.S. Cl. **D7/510; D7/511**

[58] Field of Search **D7/300.2, 507, 509, D7/510, 511, 505, 533, 534, 535, 536; 220/705, 710, 716, 717, 771, 772, 709, 675, 669; D9/443, 431, 446; 215/11.1; D12/114; D24/197**

[56] **References Cited**

U.S. PATENT DOCUMENTS

- D. 195,376 6/1963 Curtis D7/511 X
- D. 214,639 7/1969 Christensen D7/511
- D. 279,752 7/1985 Jagger D7/510
- D. 318,427 7/1991 Sherburne, Jr. 220/705 X

- D. 321,457 11/1991 Kahl D7/510 X
- D. 321,936 11/1991 Donovan D24/197
- D. 327,848 7/1992 Hanover D7/300.2 X
- D. 333,067 2/1993 Feltman D7/510 X
- D. 337,921 8/1993 Iodice D9/446 X
- 2,052,496 8/1936 Stassi 220/709 X
- 4,193,699 3/1980 Haygeman et al. 220/771 X

Primary Examiner—Alan P. Douglas
Assistant Examiner—M. N. Pandozzi

[57] CLAIM

The ornamental design for a drink container, as shown and described.

DESCRIPTION

FIG. 1 is a top plan view of a drink container showing our new design;
 FIG. 2 is a side elevation view of the drink container;
 FIG. 3 is a bottom view of the drink container;
 FIG. 4 is a rear elevational view of the drink container;
 FIG. 5 is an opposite side, from FIG. 2, elevation view of the drink container; and,
 FIG. 6 is a handle side elevation view of the drink container.

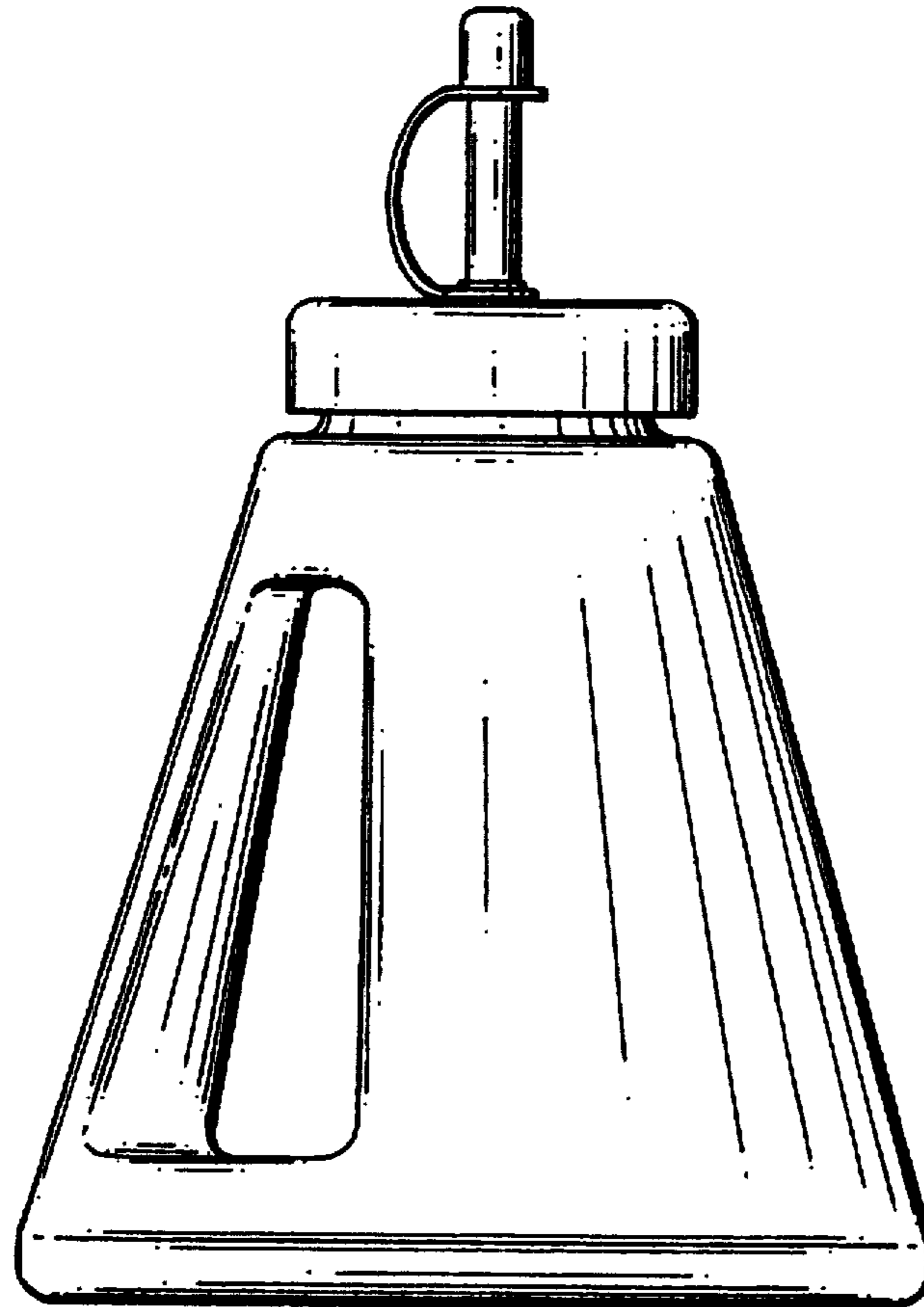


FIG. 1

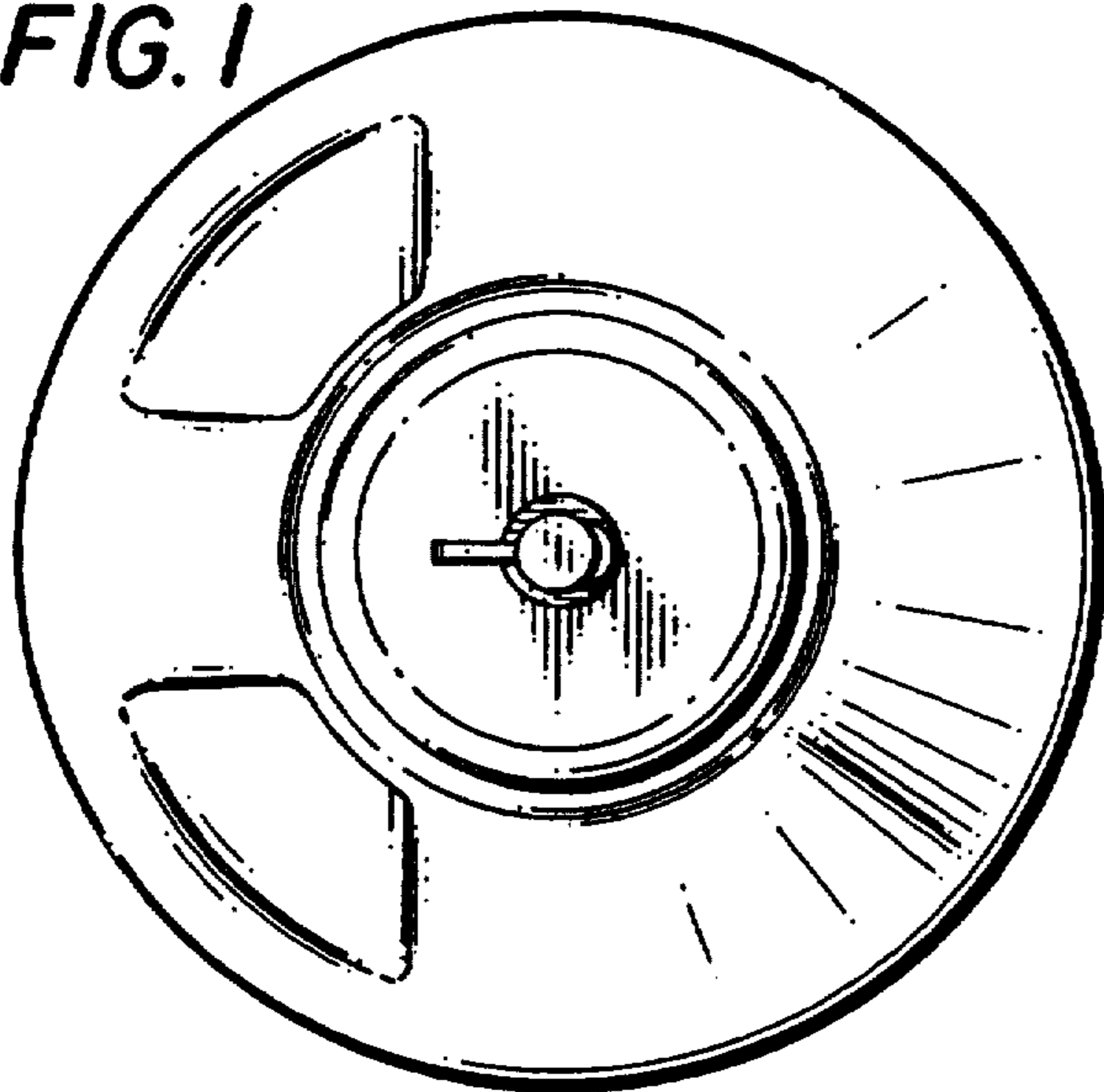


FIG. 3



FIG. 2

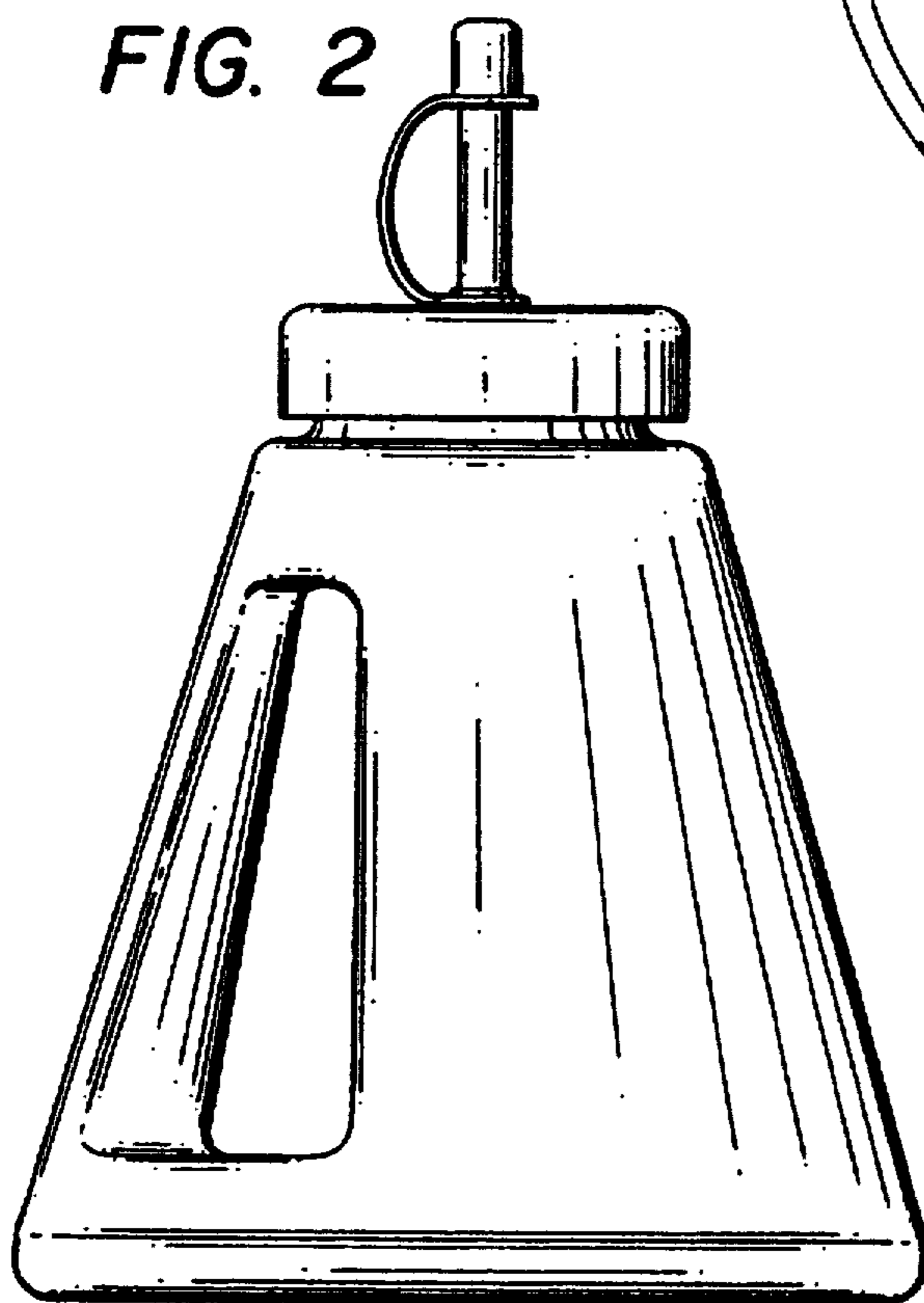


FIG. 4

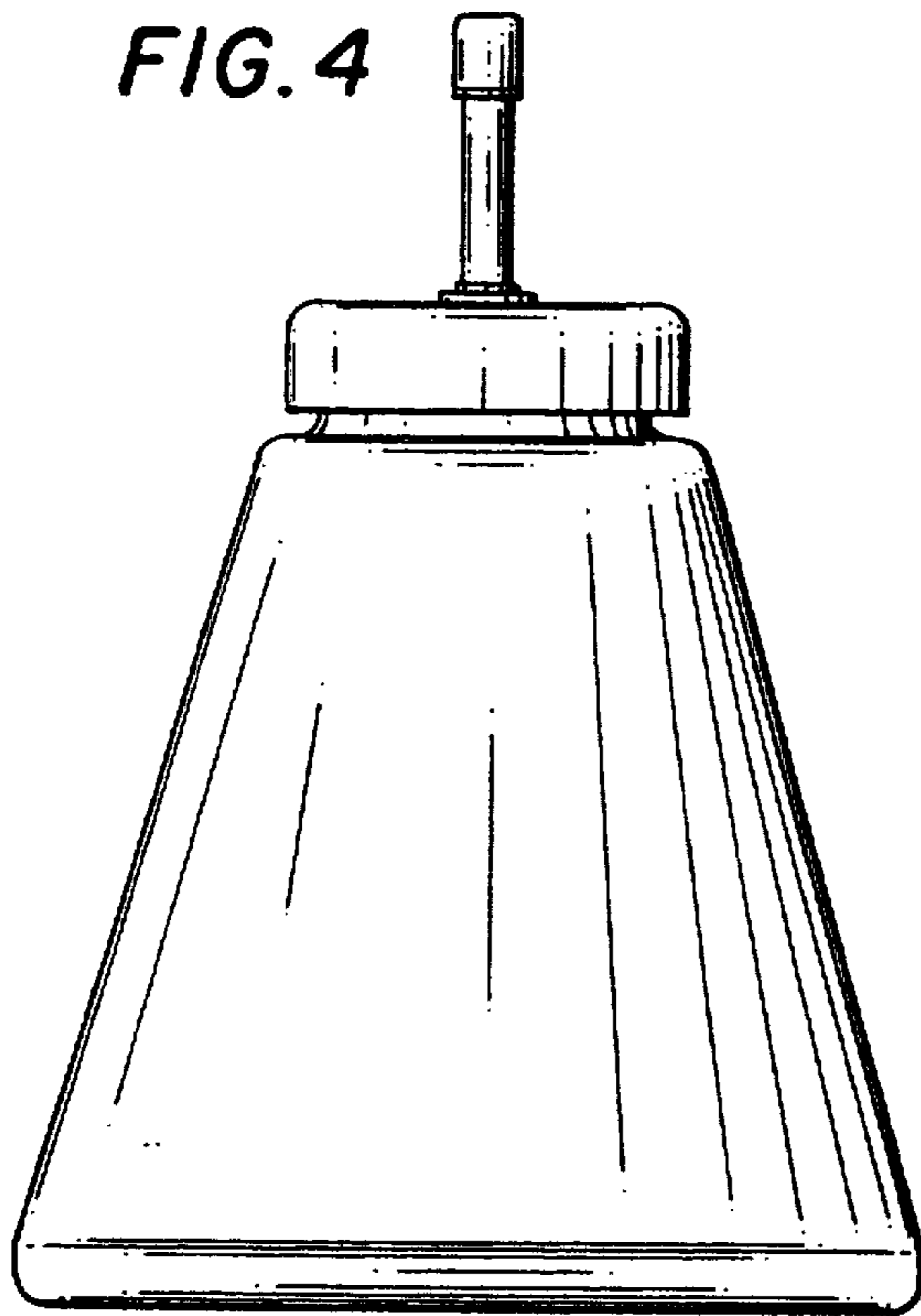


FIG. 5

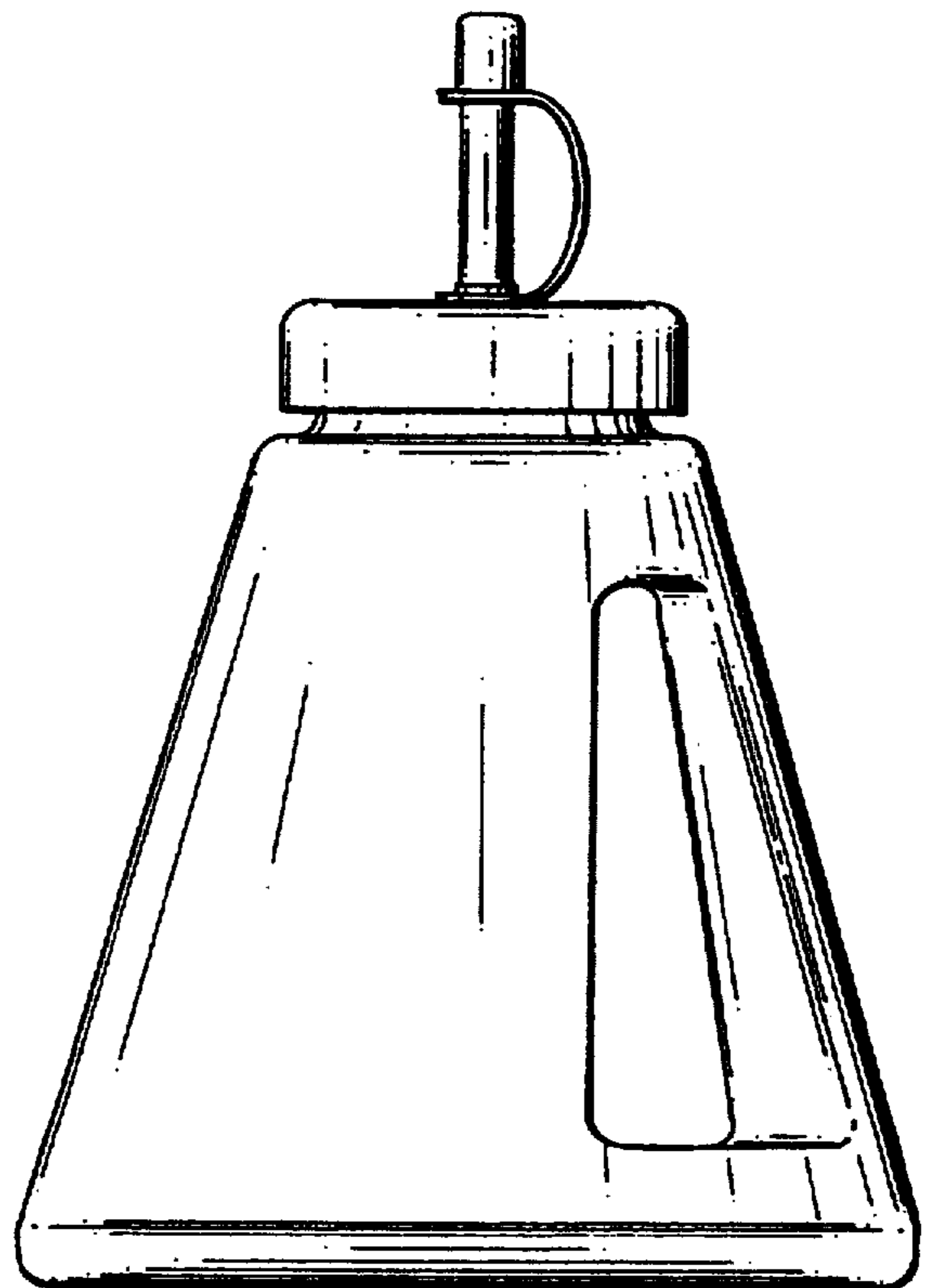


FIG. 6

