



US00D351311S

United States Patent [19]

[11] Patent Number: Des. 351,311

Beaver, III et al.

[45] Date of Patent: ** Oct. 11, 1994

[54] OVEN FRONT PANEL

[75] Inventors: Robert I. Beaver, III, Atherton; Michael H. Kellicutt, Half Moon Bay; William H. Sehestedt, Santa Clara; Joe R. Suarez, Clements; Eugene R. Westerberg, Palo Alto; Gerard A. Furbershaw, Menlo Park; David W. Laituri, Palo Alto; Gilbert Y. Wong, San Francisco; Max K. Yoshimoto, San Mateo, all of Calif.

[73] Assignee: Quadlux, Inc., Fremont, Calif.

[**] Term: 14 Years

[21] Appl. No.: 8,649

[22] Filed: May 21, 1993

[52] U.S. Cl. D7/405

[58] Field of Search D7/348-351; 126/275 R, 275 E, 19 M, 19 R, 21 A; 99/467-468; 219/391, 402

[56] References Cited

U.S. PATENT DOCUMENTS

- D. 198,011 4/1964 Dillingham et al. D7/350
- D. 236,316 8/1975 Booty et al. D7/350
- D. 254,741 4/1980 Friedl et al. D7/348
- D. 262,290 12/1981 Friedl et al. D7/348

- D. 271,175 11/1983 Salzman et al. D7/350
- D. 271,268 11/1983 Salzman et al. D7/350
- D. 272,977 3/1984 Erkelene D7/350
- D. 295,058 9/1987 Cesaroni D7/350

OTHER PUBLICATIONS

Foodservice Equipment Specialist, Jan. 1980, p. 4. "Ovens".
Foodservice Equip. Specialist, Aug. 1979, p. 46. "Blodgett Electric Pizza Oven".

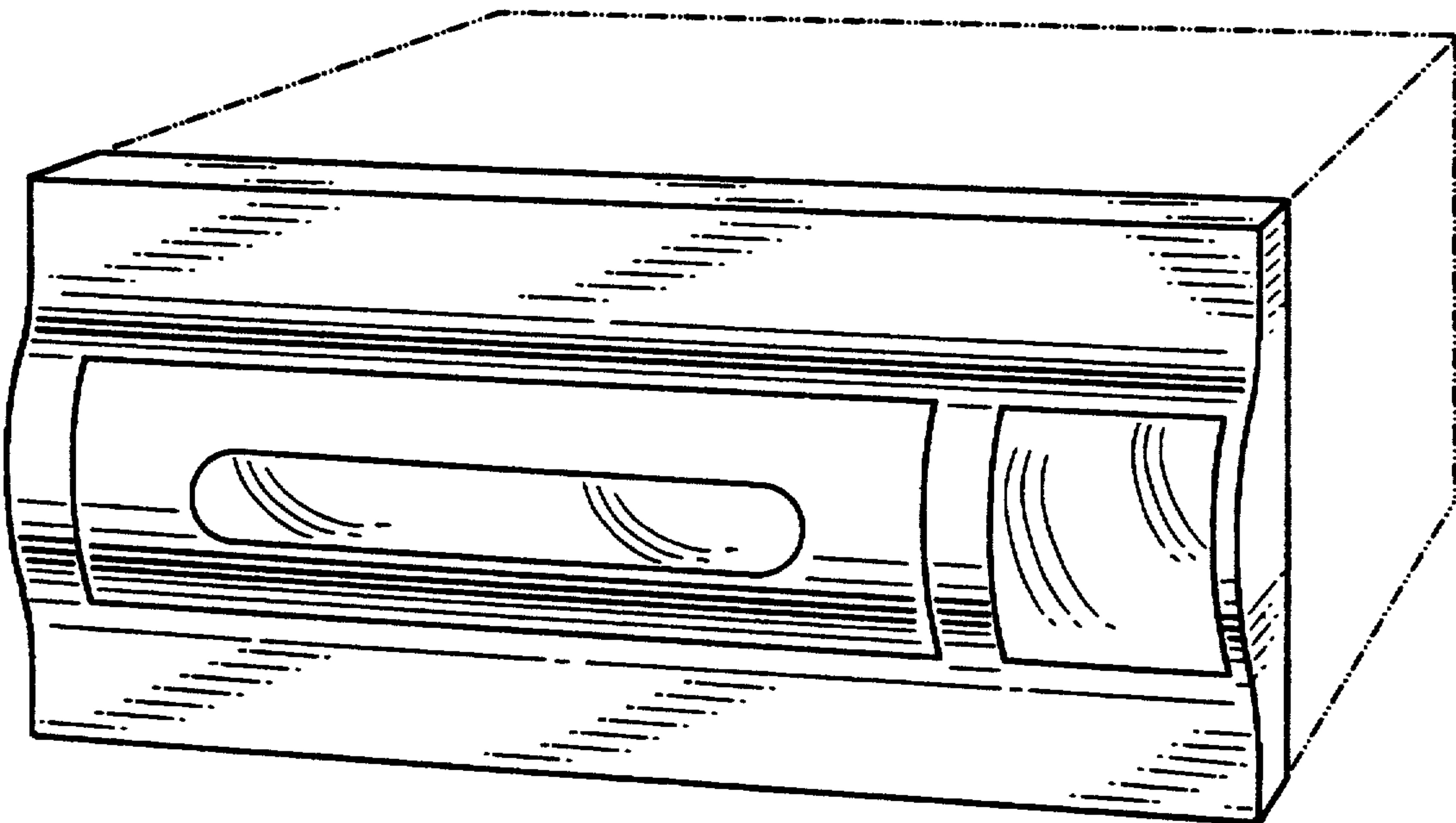
Primary Examiner—Ruth McInroy
Attorney, Agent, or Firm—Limbach & Limbach

[57] CLAIM

The ornamental design for an oven front panel, as shown and described.

DESCRIPTION

FIG. 1 is a perspective view of a front panel of an oven showing our new design;
FIG. 2 is a perspective view thereof, showing the door in the open position;
FIG. 3 is a top plan view thereof;
FIG. 4 is a front elevational view thereof; and,
FIG. 5 is a side elevational view thereof, the opposite side is a mirror image thereof.
The portions shown in broken lines in FIGS. 1-4 and 5 are shown for illustrative purposes only and form no part of the claimed design.



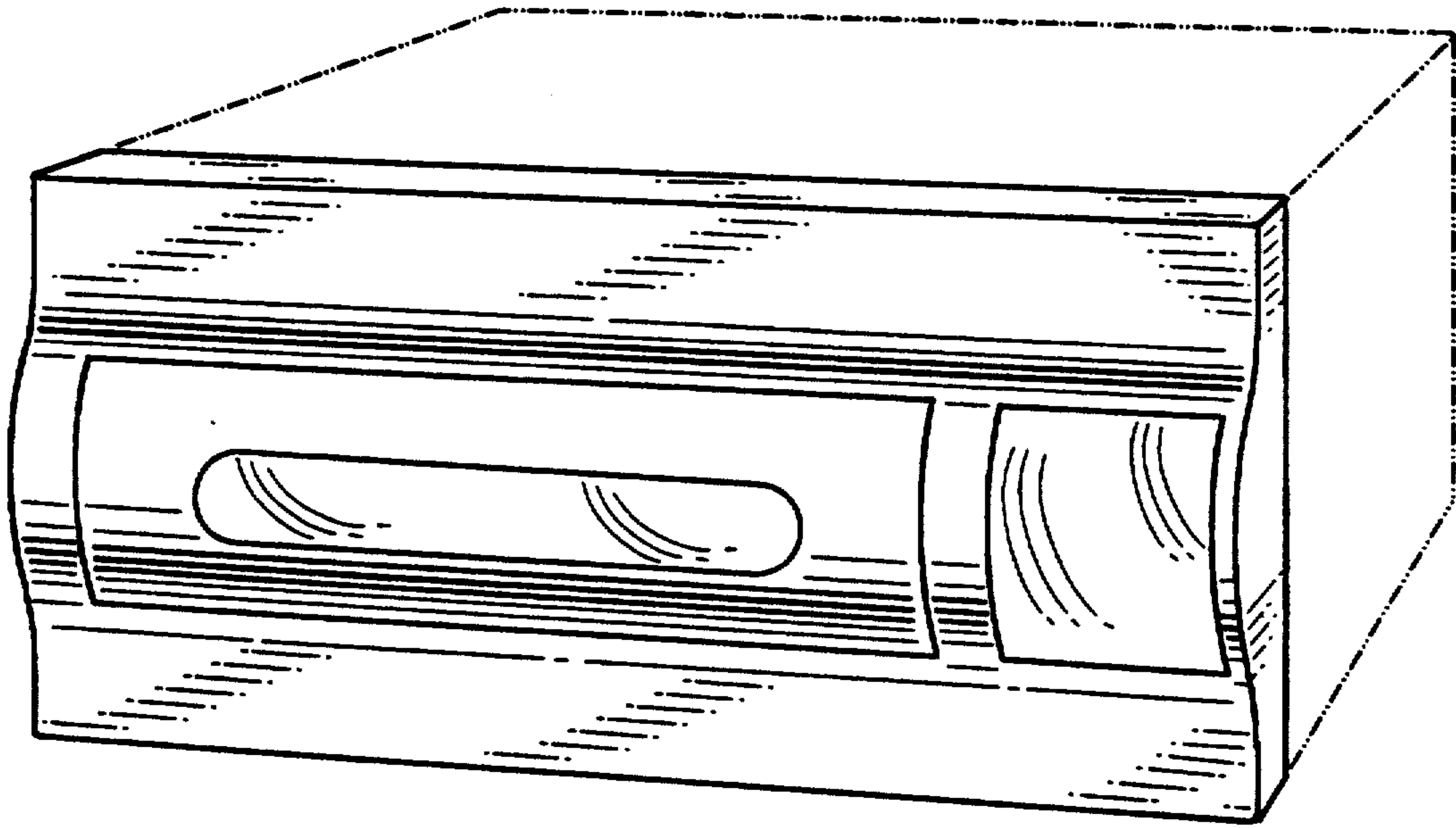


FIG. 1

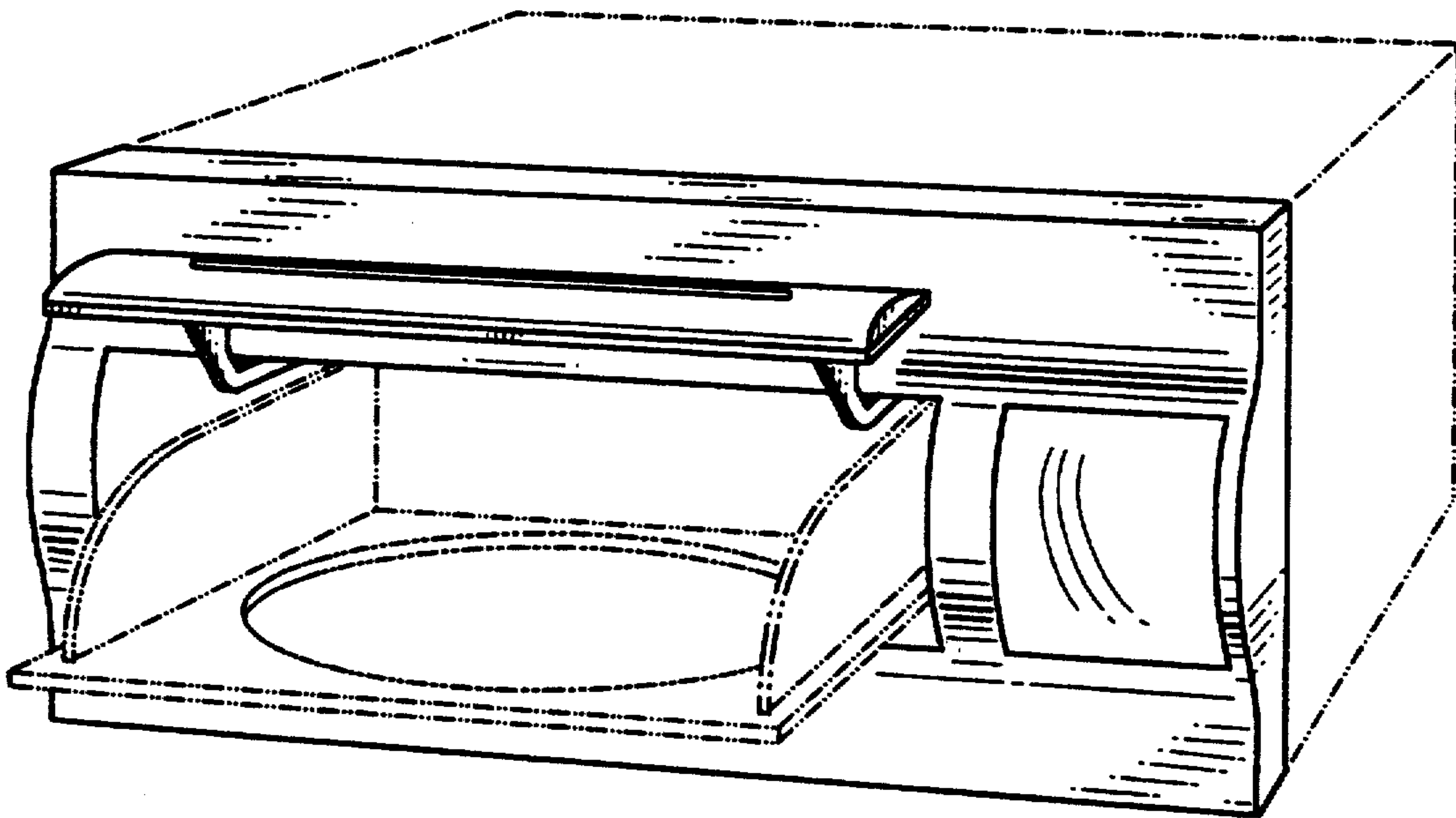


FIG. 2

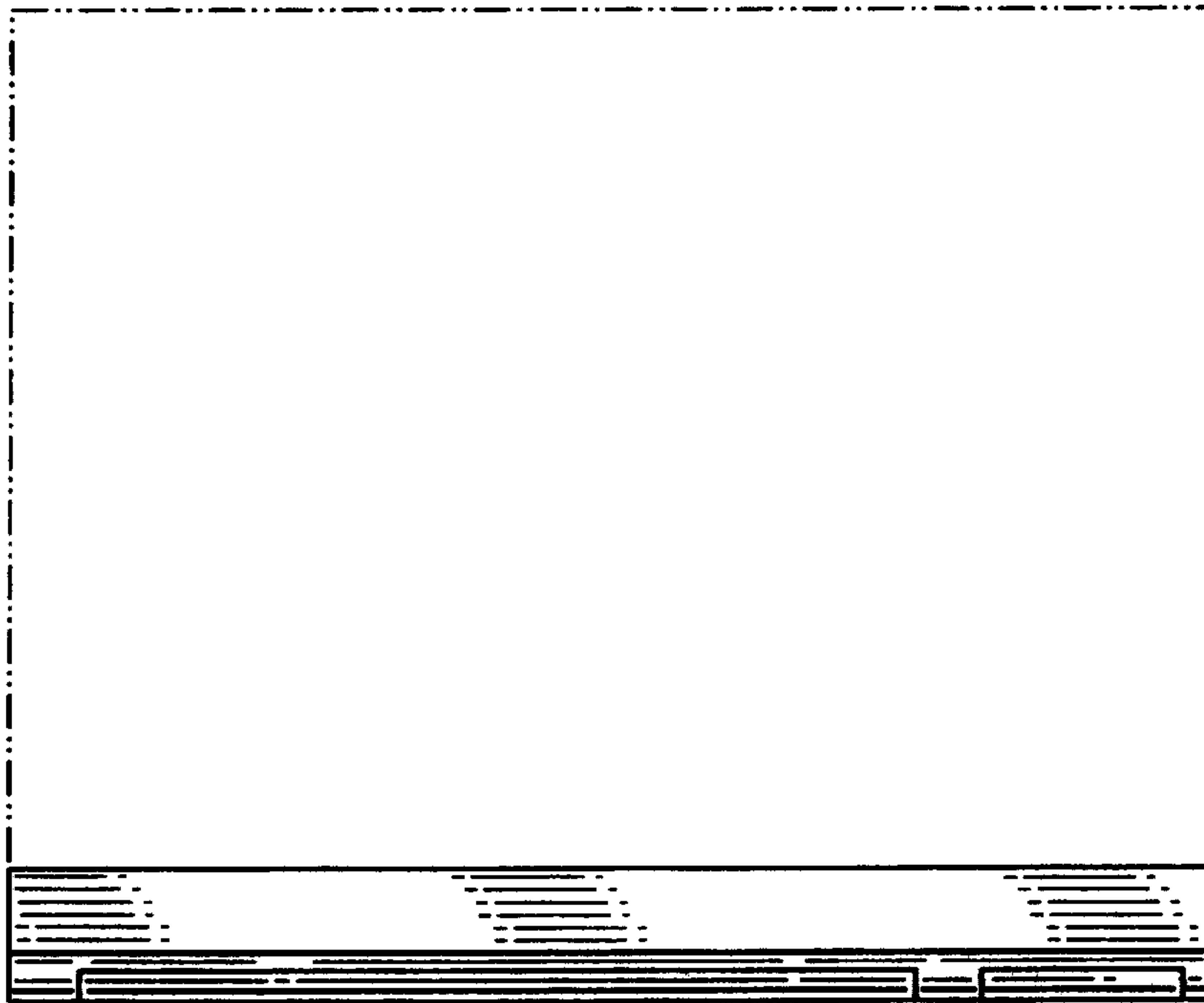


FIG. 3

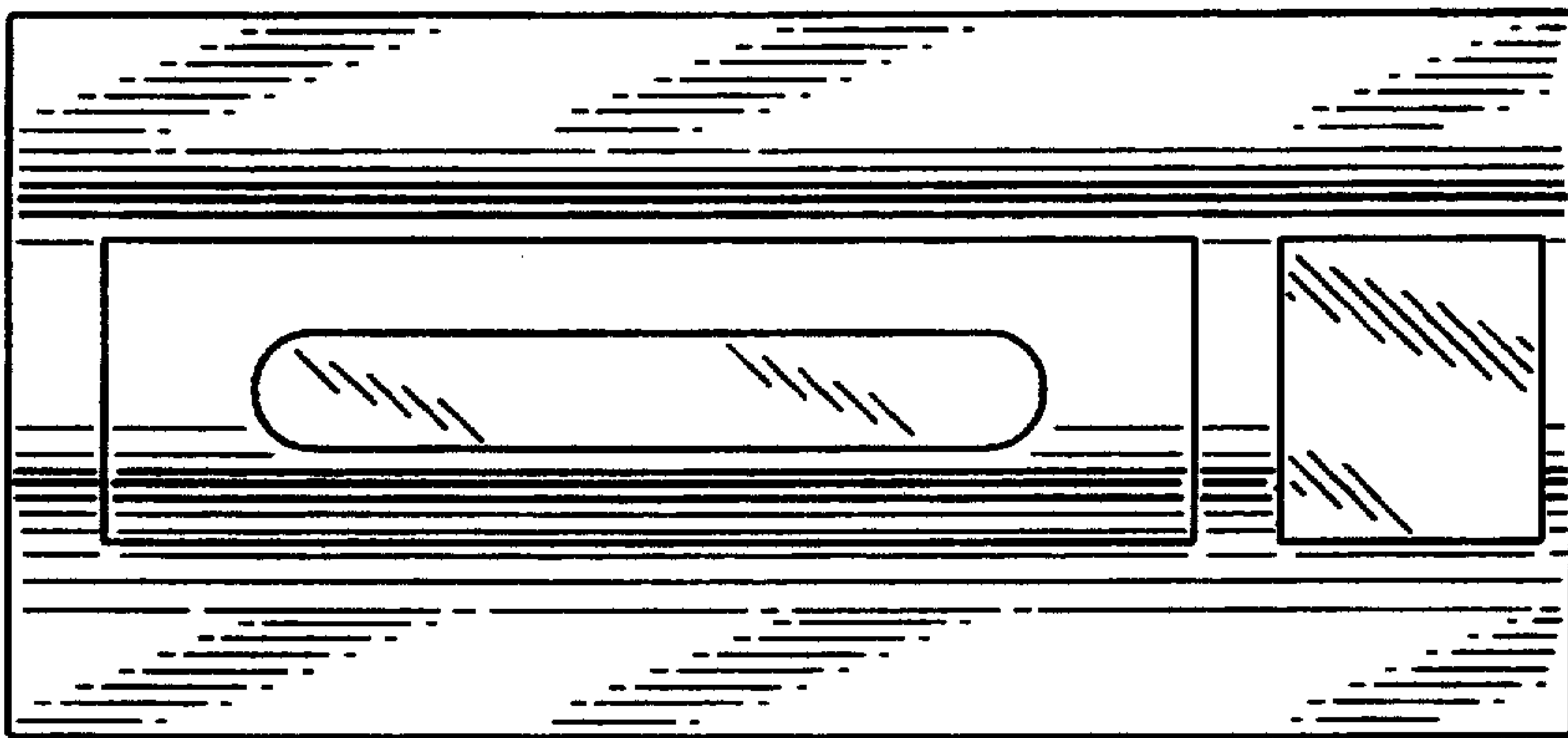


FIG. 4



FIG. 5