



US00D351309S

United States Patent [19]

[11] Patent Number: **Des. 351,309**

Beaver, II et al.

[45] Date of Patent: **** Oct. 11, 1994**

[54] OVEN

[75] Inventors: **Robert I. Beaver, II**, Atherton; **Michael H. Kellicutt**, Half Moon Bay; **William H. Sehestedt**, Santa Clara; **Joe R. Suarez**, Clements; **Eugene R. Westerberg**, Palo Alto; **Gerard A. Furbershaw**, Menlo Park; **David W. Laituri**, Palo Alto; **Gilbert Y. Wong**, San Francisco; **Max K. Yoshimoto**, San Mateo, all of

[73] Assignee: **Quadlux, Inc.**, Fremont, Calif.

[**] Term: **14 Years**

[21] Appl. No.: **8,647**

[22] Filed: **May 21, 1993**

[52] U.S. Cl. **D7/350**

[58] Field of Search **D7/348-351;**
126/275 R, 275 E, 19 M, 19 R, 21 A;
99/467-468; 219/391, 402

[56] **References Cited**

U.S. PATENT DOCUMENTS

- D. 198,011 4/1964 Dillingham et al. D7/350
- D. 236,316 8/1975 Booty et al. D7/350
- D. 254,741 4/1950 Friedl et al. D7/348
- D. 262,290 12/1951 Friedl et al. D7/348

- D. 271,175 11/1983 Salzman et al. D7/350
- D. 271,268 11/1983 Salzman et al. D7/350
- D. 272,977 3/1984 Erkelenz D7/350
- D. 292,058 9/1987 Cesaroni D7/350

OTHER PUBLICATIONS

Foodservice Equipment Specialist, Jan. 1980, p. 4. "Ovens".

Foodservice Equip. Specialist, Aug. 1979, p. 46. "Blodgett Electric Pizza Oven".

Primary Examiner—Ruth McInroy

Attorney, Agent, or Firm—Limbach & Limbach

[57] **CLAIM**

The ornamental design for an oven, as shown and described.

DESCRIPTION

FIG. 1 is a perspective view of an oven showing our new design;

FIG. 2 is a perspective view thereof, showing the door in the open position;

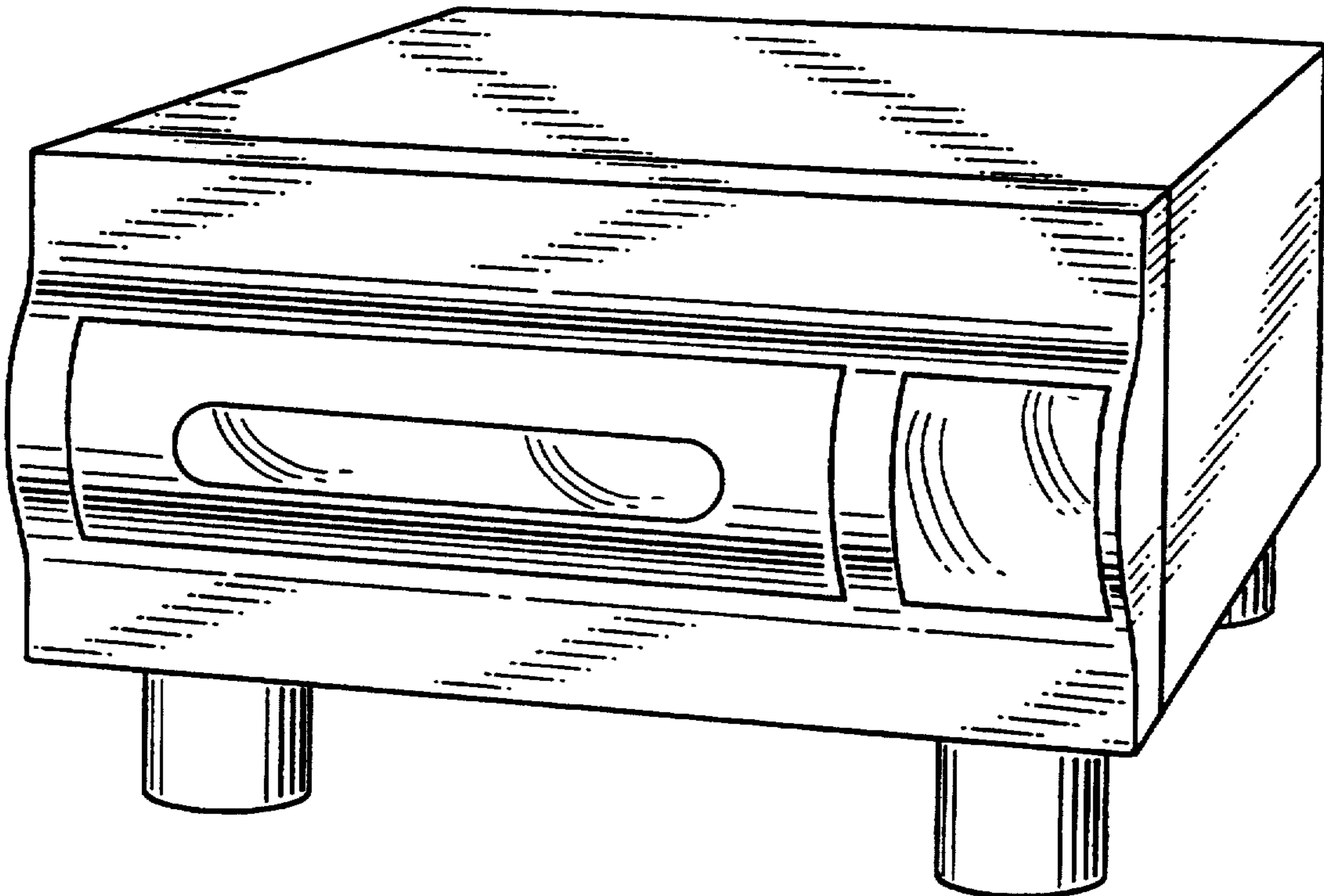
FIG. 3 is top plan view thereof;

FIG. 4 is a front elevational view thereof;

FIG. 5 is a side elevational view thereof, the opposite side is a mirror image thereof;

FIG. 6 is a bottom plan view thereof; and,

FIG. 7 is a rear elevational view thereof.



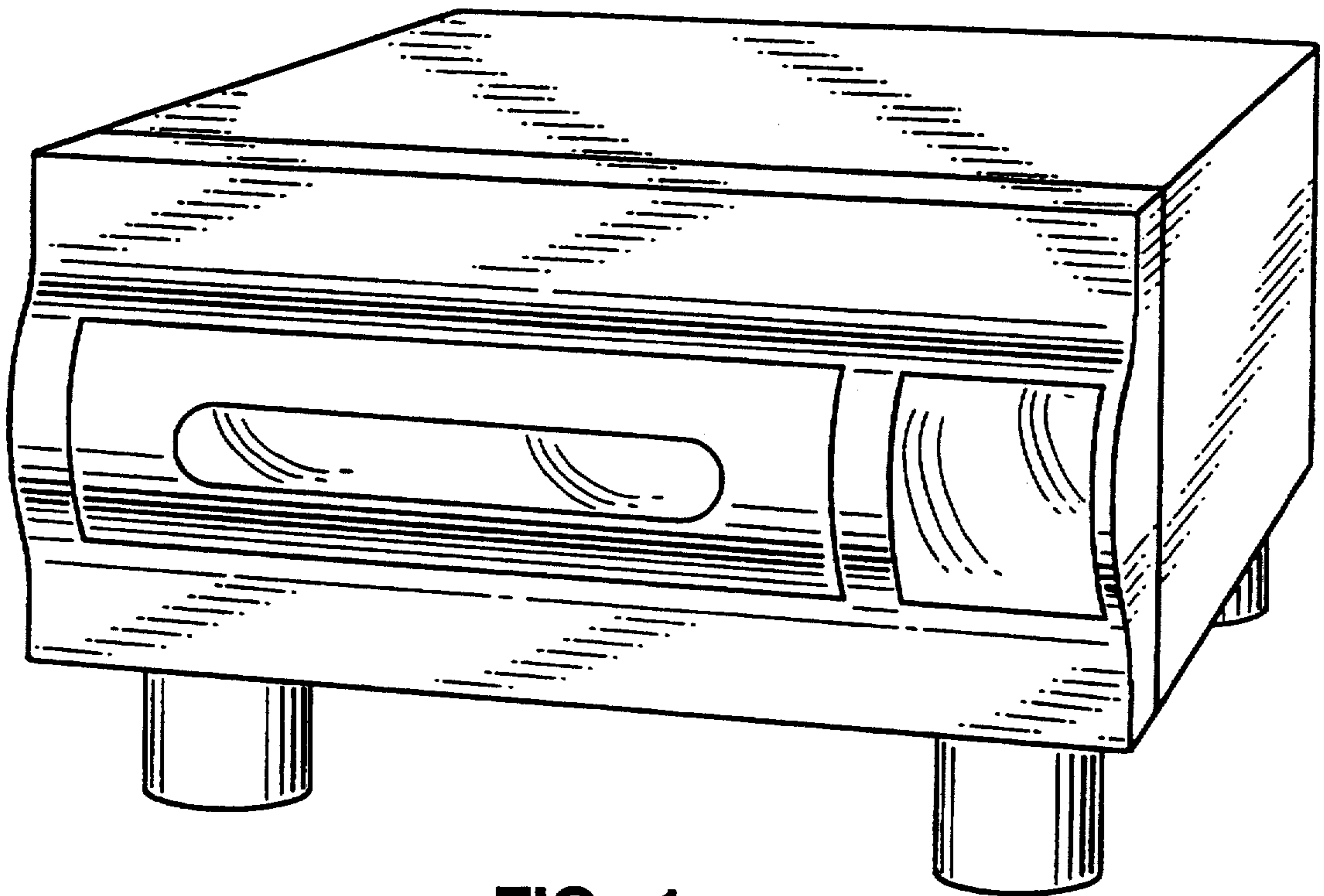


FIG. 1

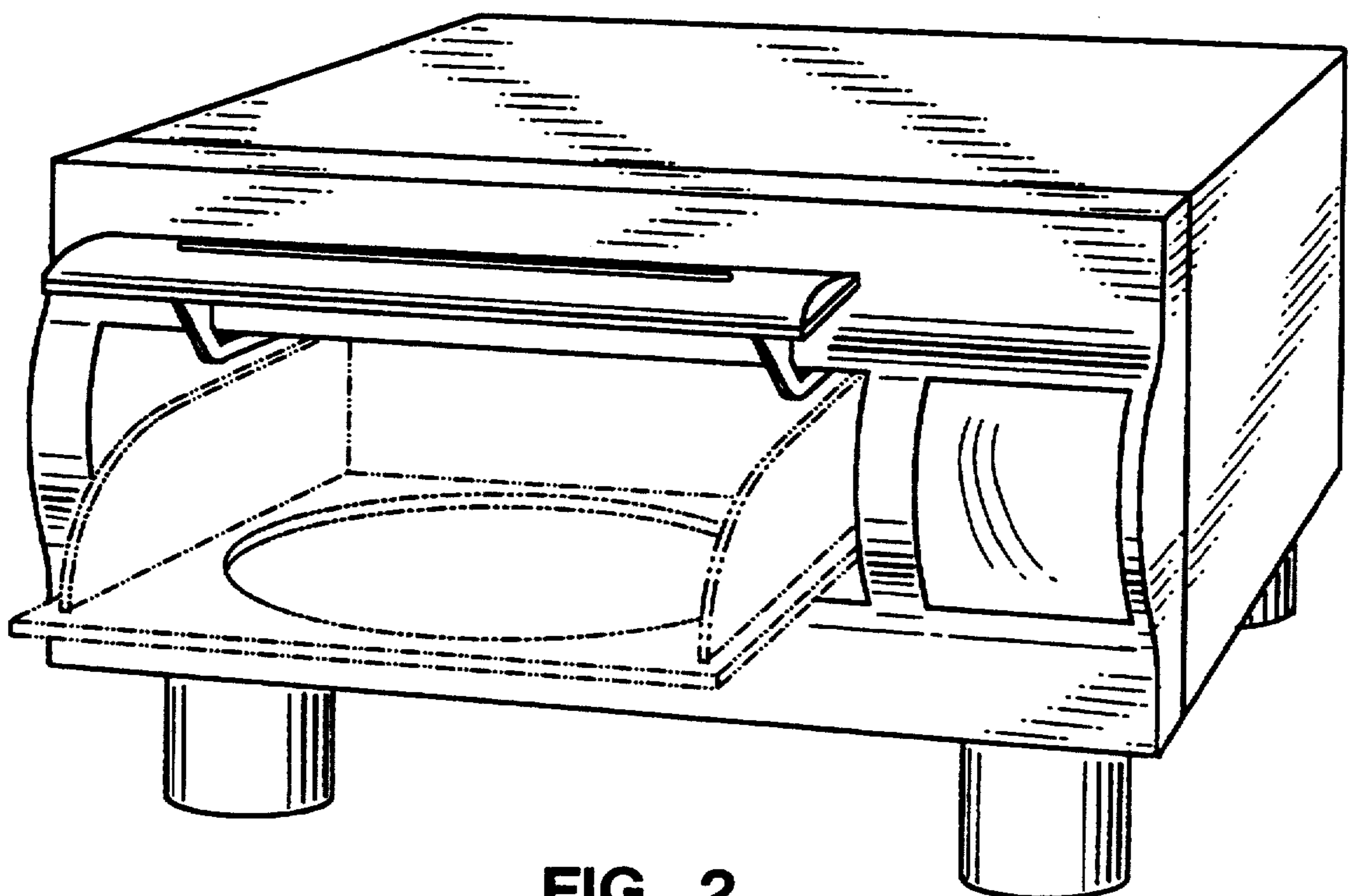


FIG. 2

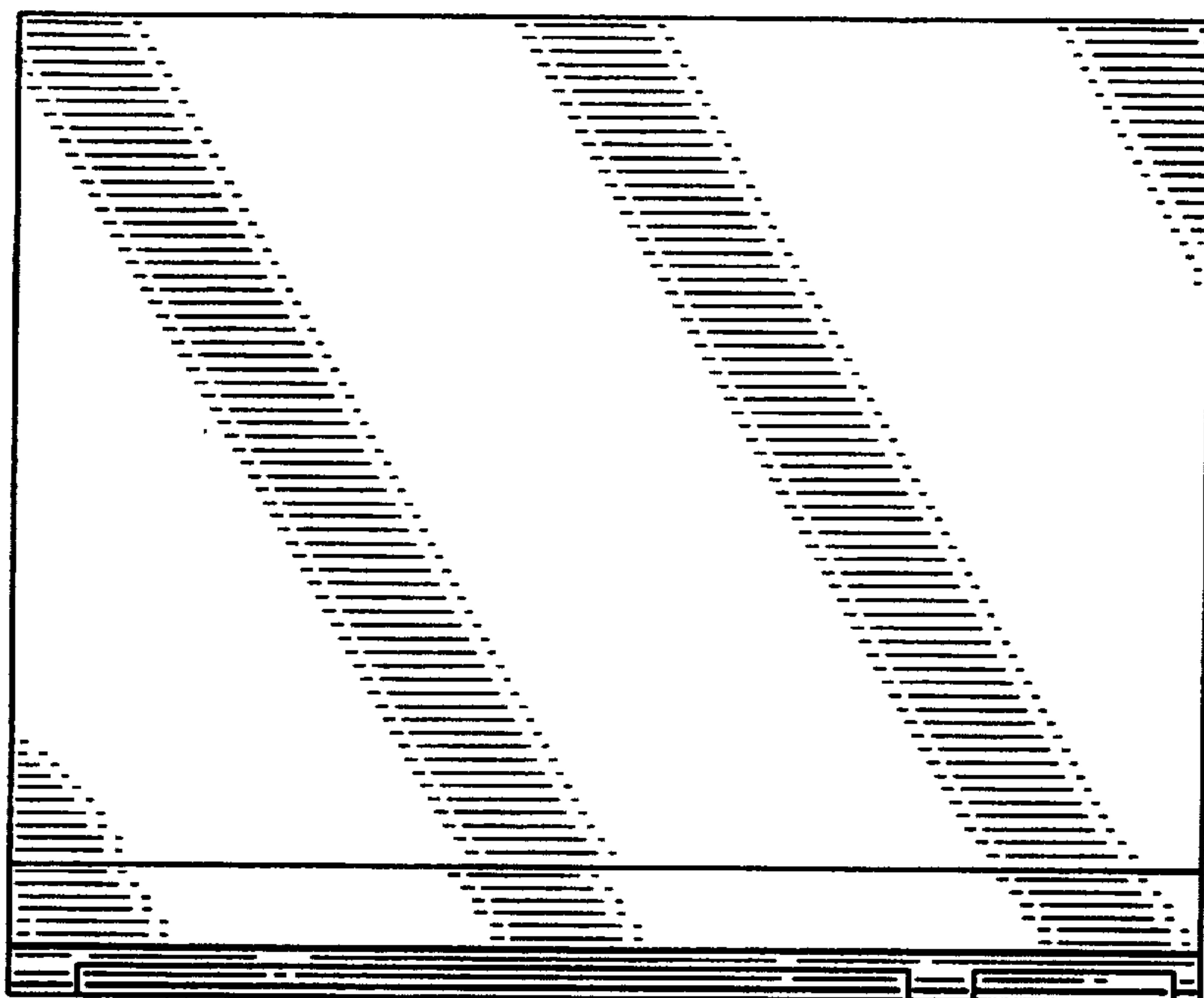


FIG. 3

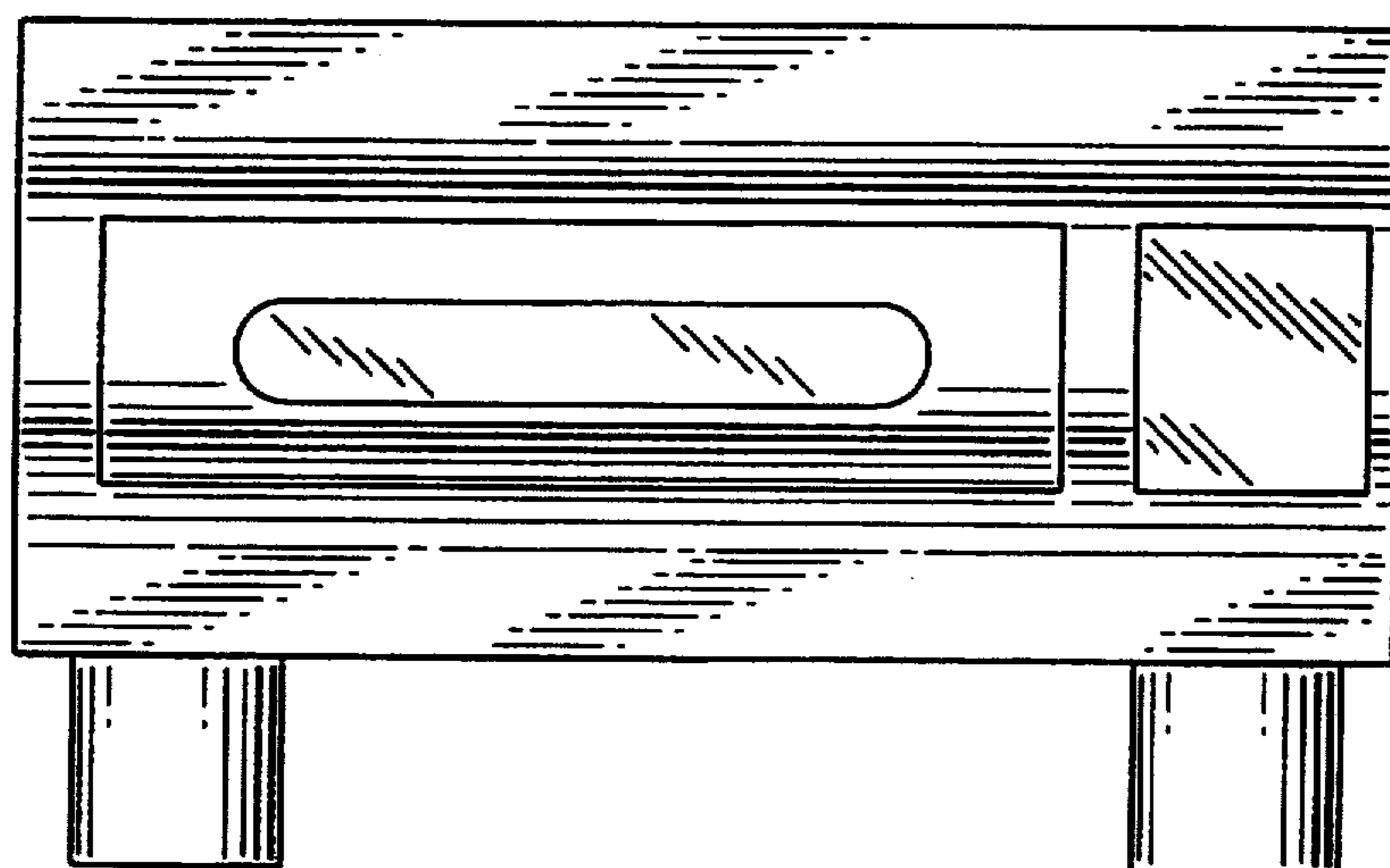


FIG. 4

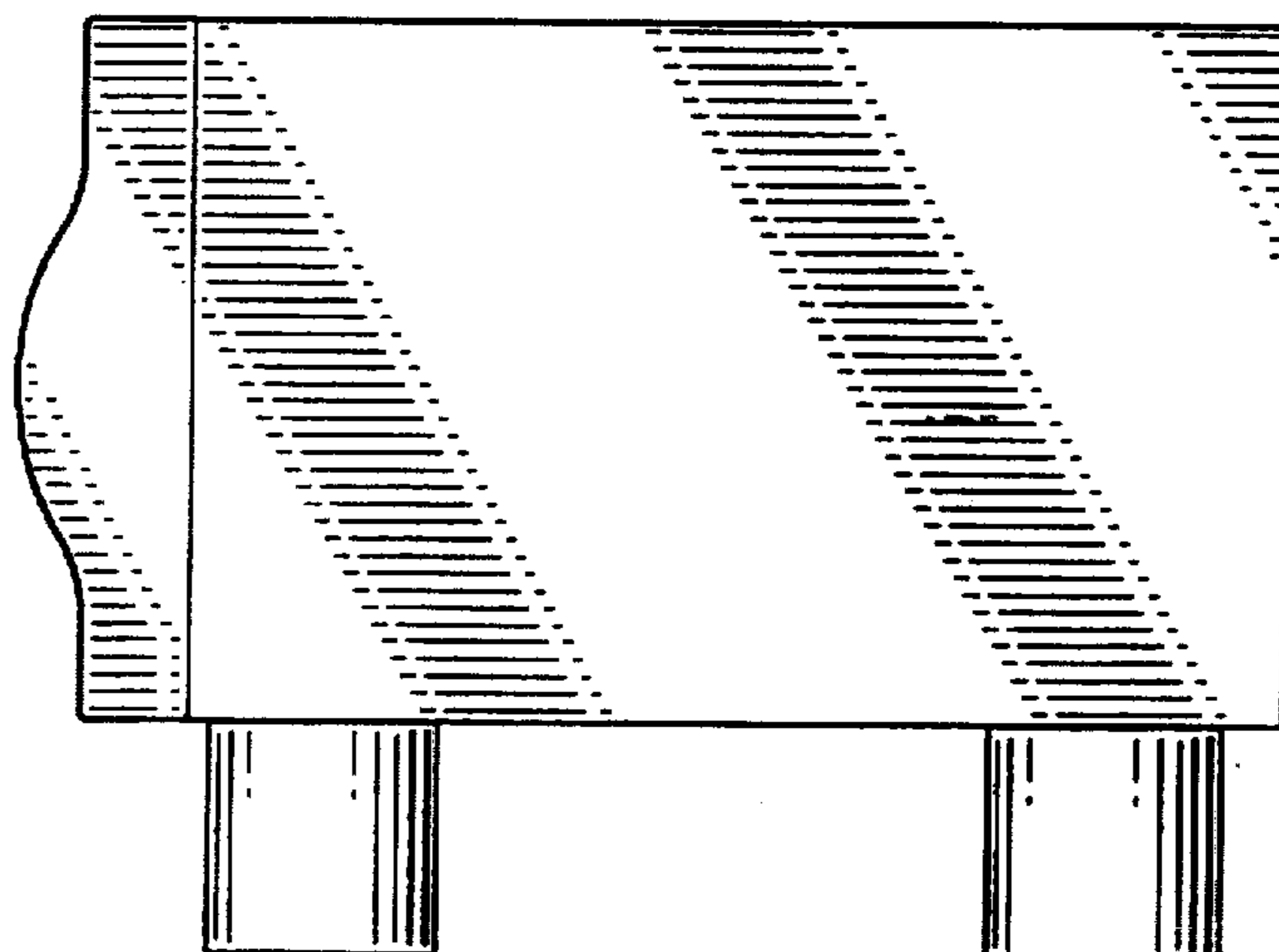


FIG. 5

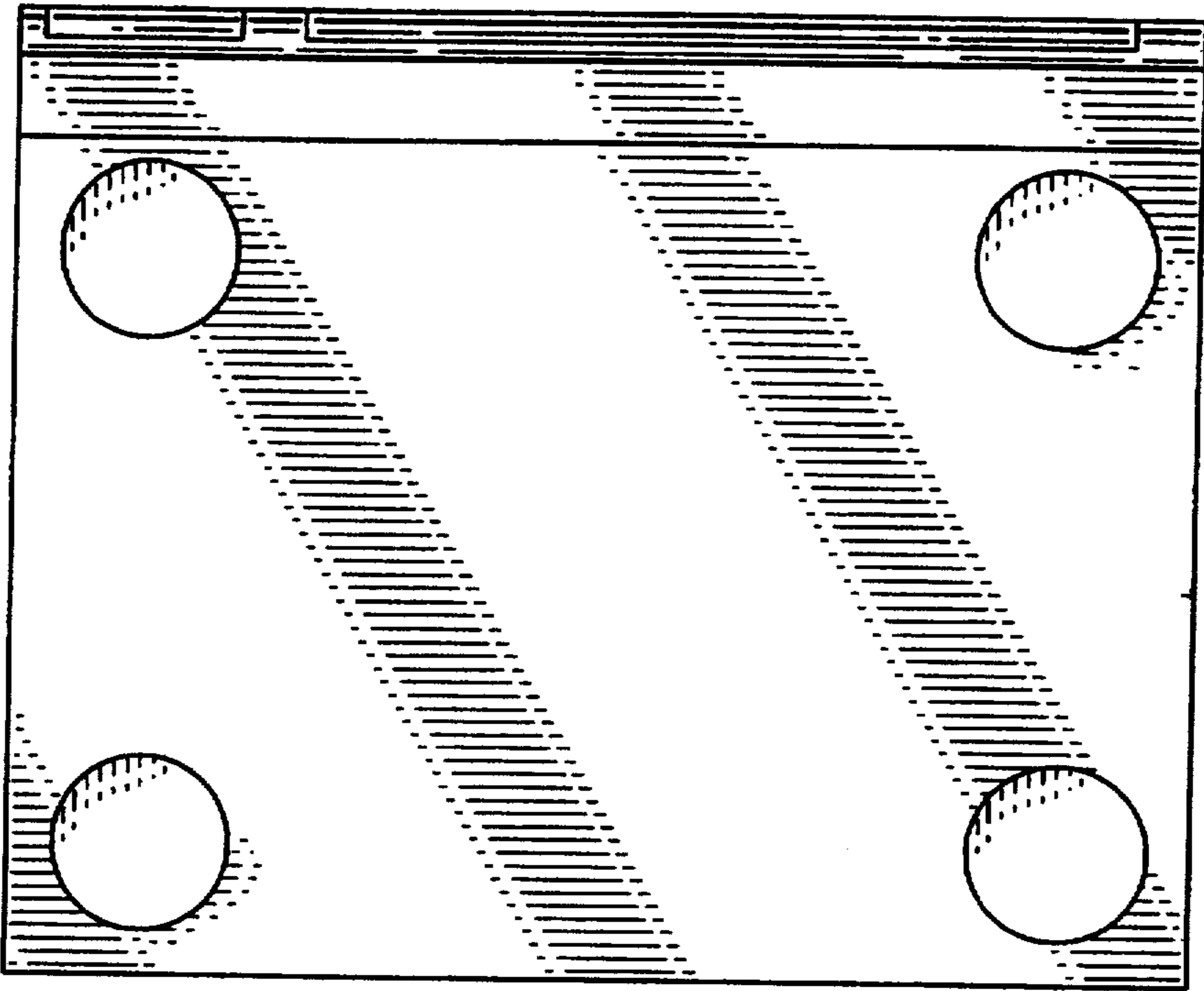


FIG. 6

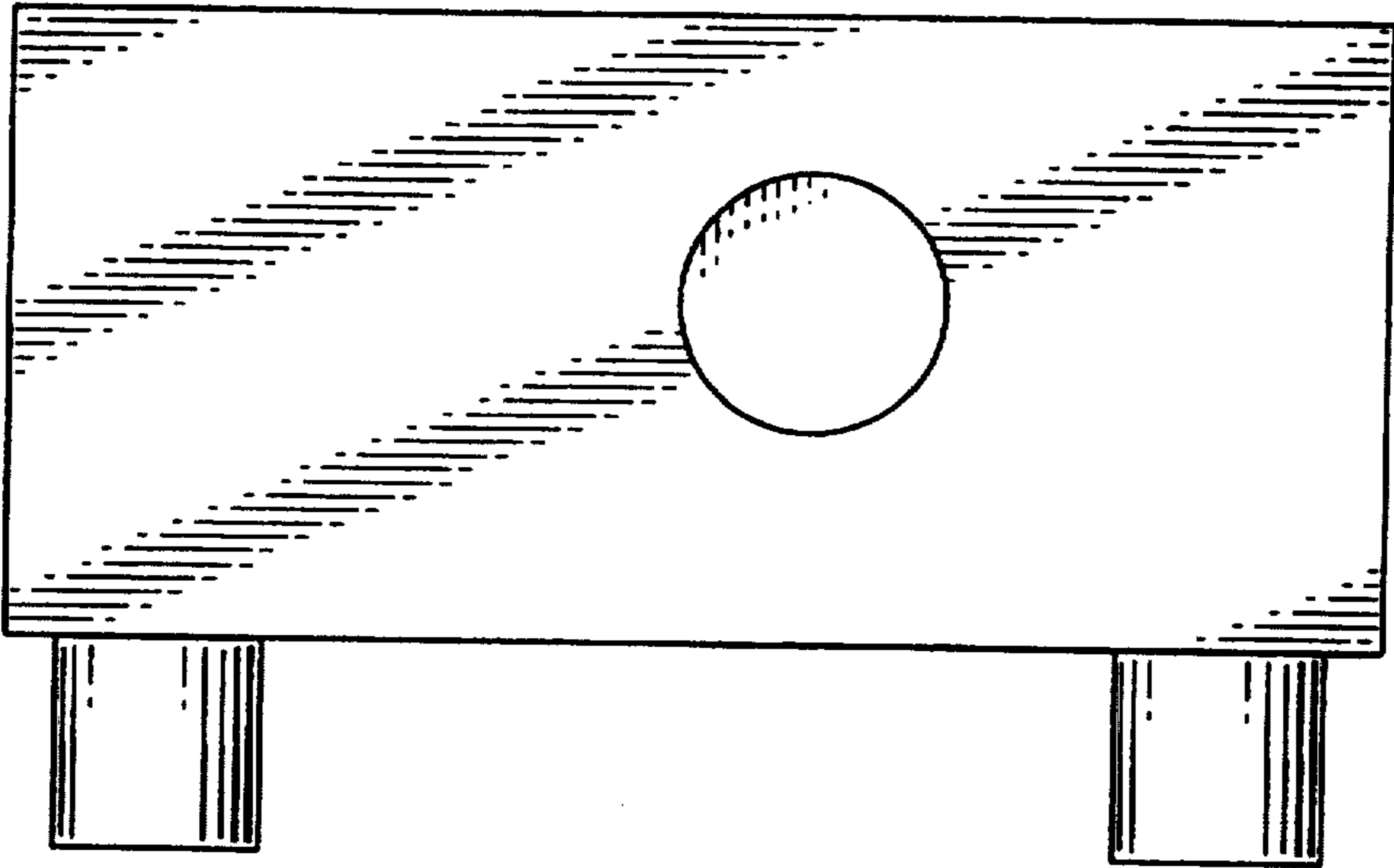


FIG. 7