



US00D351308S

United States Patent [19] Pai

[11] Patent Number: Des. 351,308

[45] Date of Patent: ** Oct. 11, 1994

[54] COMBINED BARBECUE GRILL AND STAND

[76] Inventor: Lucas Pai, No. 617, Sec. 4, Chung Hwa Rd., Hsingchu, Taiwan

[**] Term: 14 Years

[21] Appl. No.: 2,339

[22] Filed: Dec. 8, 1992

[52] U.S. Cl. D7/334

[58] Field of Search D7/331, 332-337, D7/339, 342, 402-403; 126/25 R, 25 A, 25 AA, 29-30, 8, 39 B, 39 BA; 99/419, 421 R, 421 HV

4,453,530	6/1984	Schlosser et al.	126/25 R
4,777,927	10/1988	Stephen et al.	126/25 R
4,836,179	6/1989	Schlosser et al.	126/25 R
4,955,358	9/1990	Harris et al.	126/25 R
5,016,607	5/1991	Doolittle et al.	126/25 R
5,072,718	12/1991	Seal	126/25 R
5,076,252	12/1991	Schlosser et al.	126/25 R

Primary Examiner—Ruth McInroy
Attorney, Agent, or Firm—Robbins, Berliner & Carson

[57] CLAIM

The ornamental design for a combined barbecue grill and stand, as shown and described.

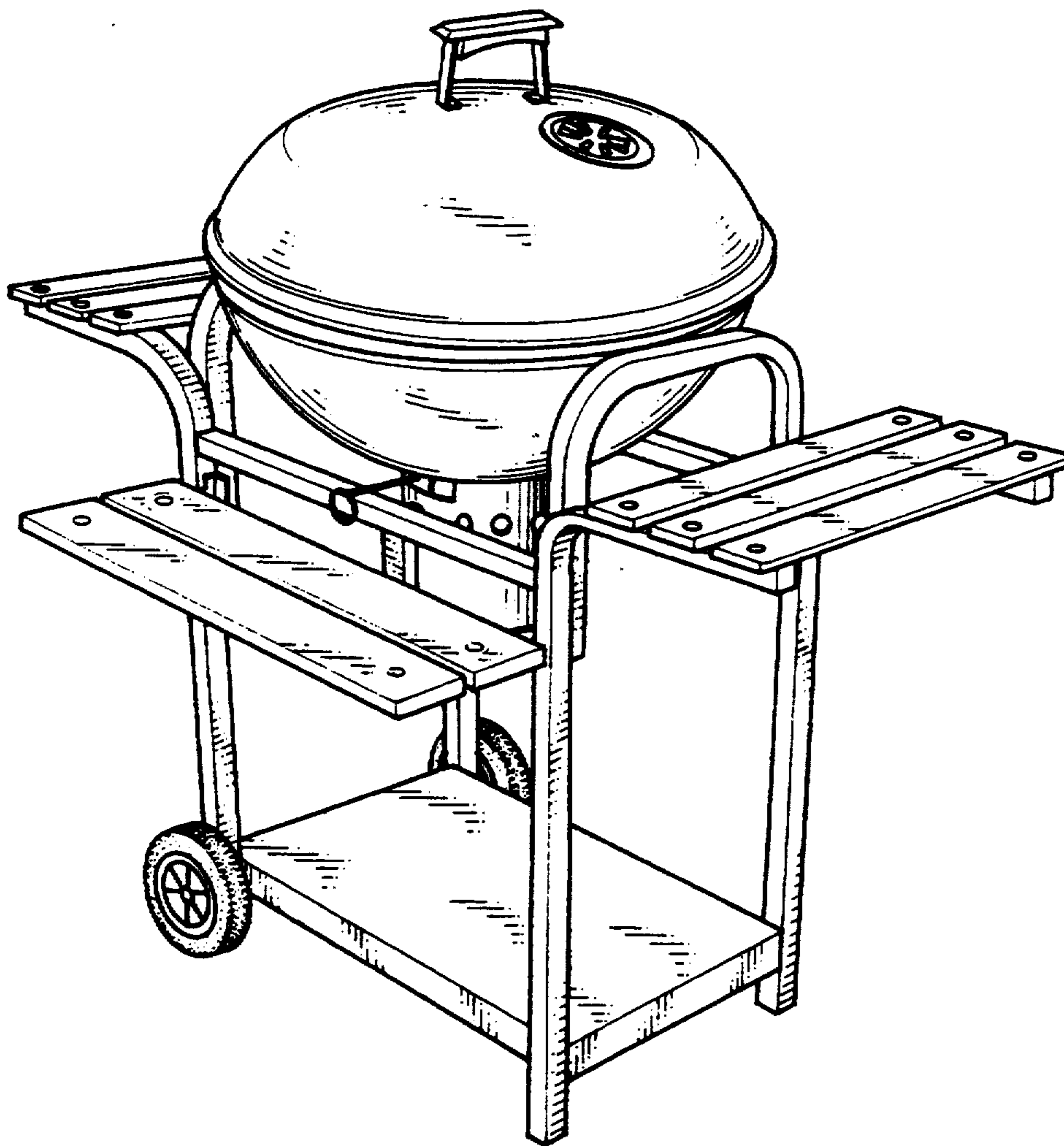
DESCRIPTION

FIG. 1 is a front-right-top perspective view of a combined barbecue grill and stand showing my new design; FIG. 2 is a front elevational view thereof; FIG. 3 is a rear elevational view thereof; FIG. 4 is a right side elevational view thereof; FIG. 5 is a left elevational view thereof; and, FIG. 6 is a top plan view thereof.

[56] References Cited

U.S. PATENT DOCUMENTS

D. 325,315	4/1992	Parent et al.	D7/334
D. 325,316	4/1992	Parent et al.	D7/334
D. 325,318	4/1992	Parent et al.	D7/334
D. 326,207	5/1992	Koziol	D7/332
D. 327,390	6/1992	Schlosser et al.	D7/334
D. 327,805	7/1992	Parent et al.	D7/334



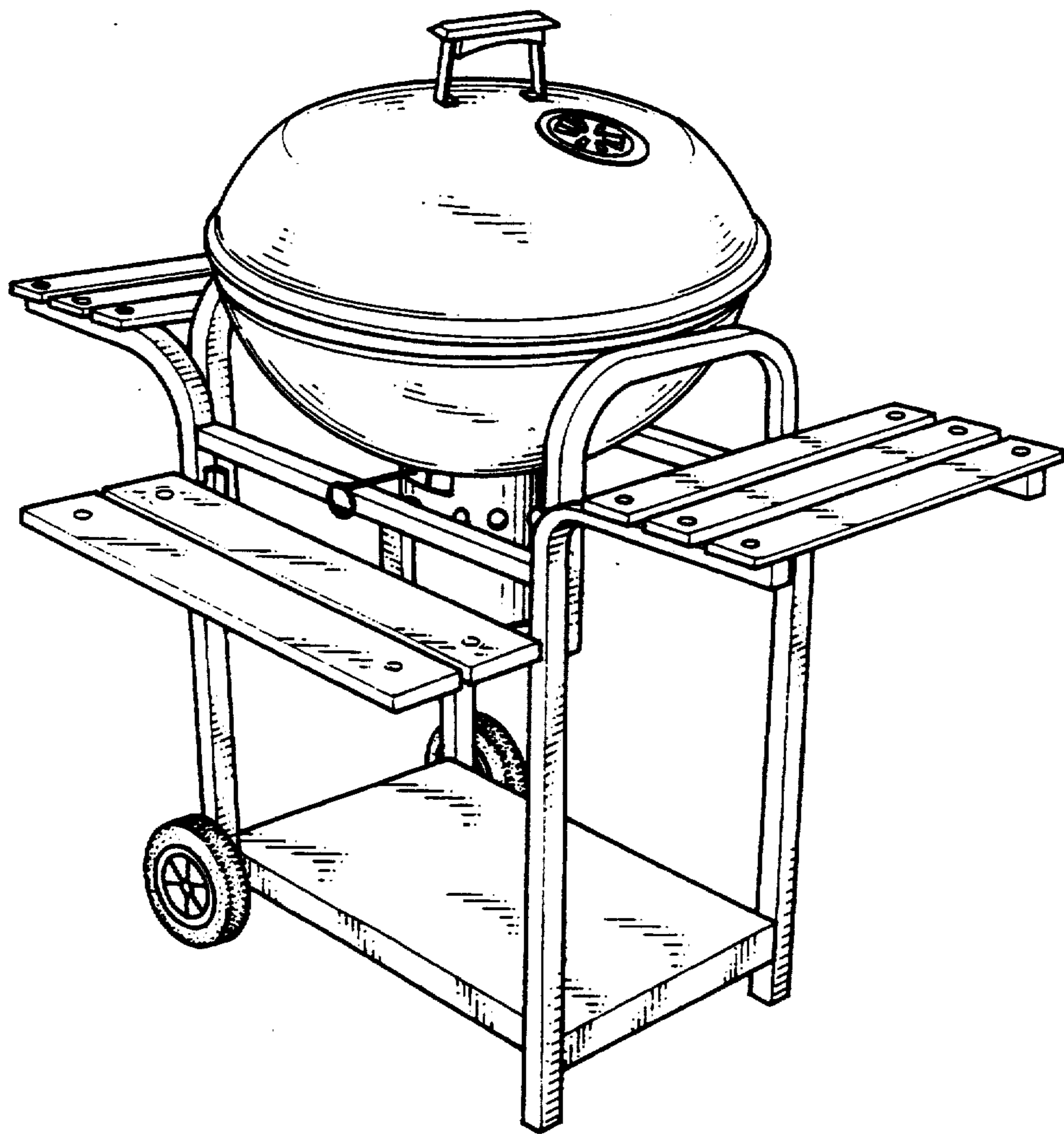


FIG. 1

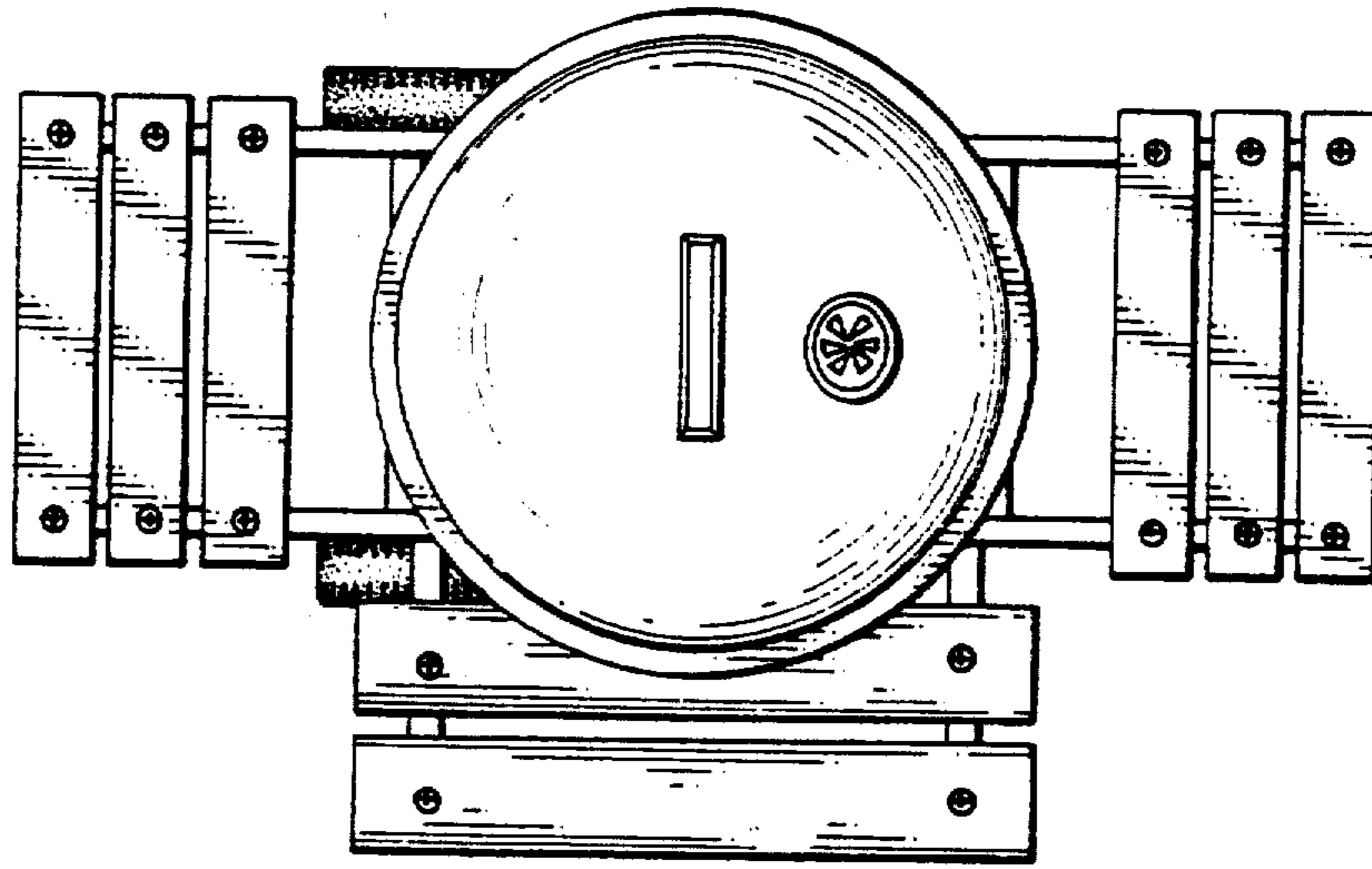


FIG. 6

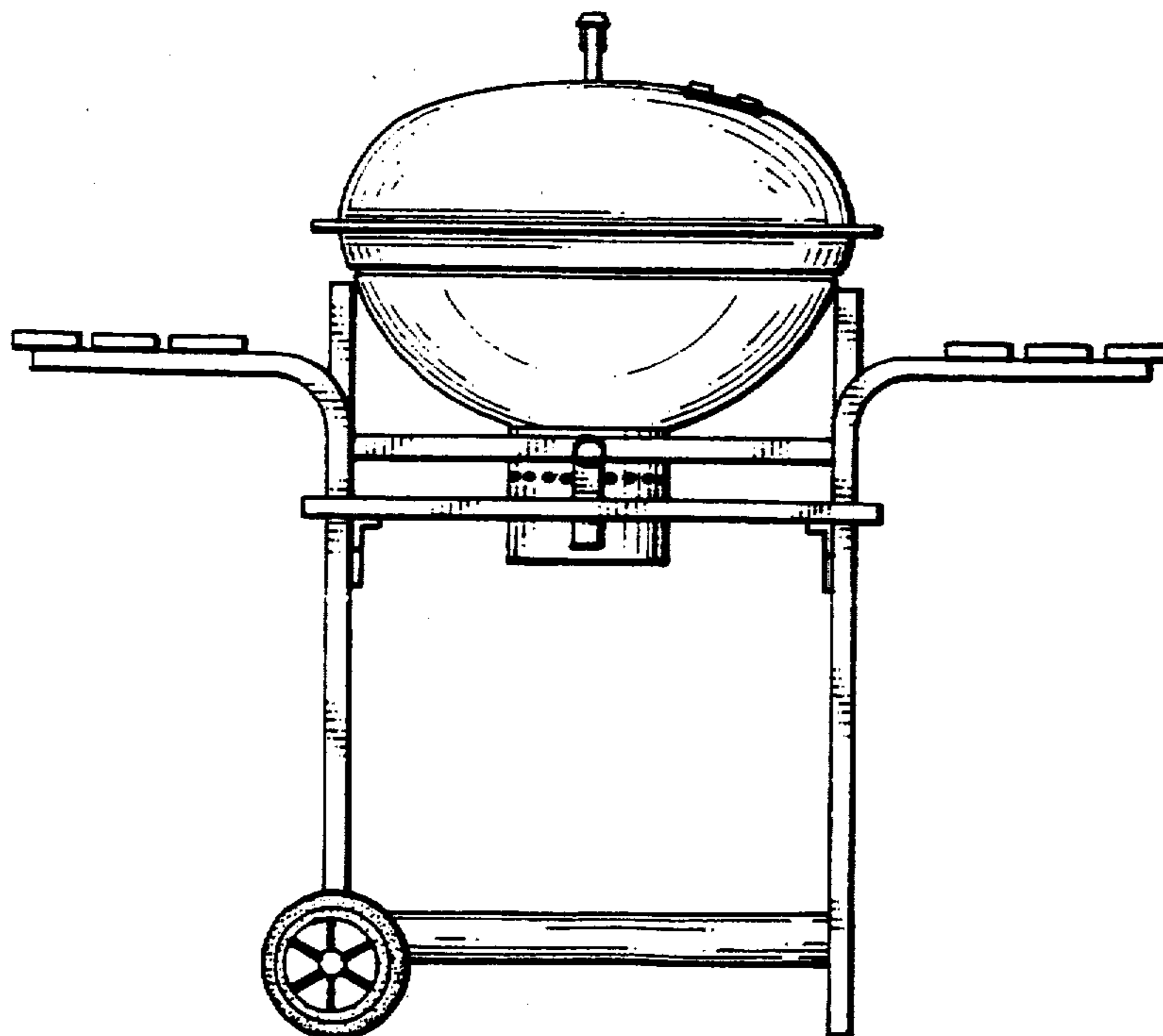


FIG. 2

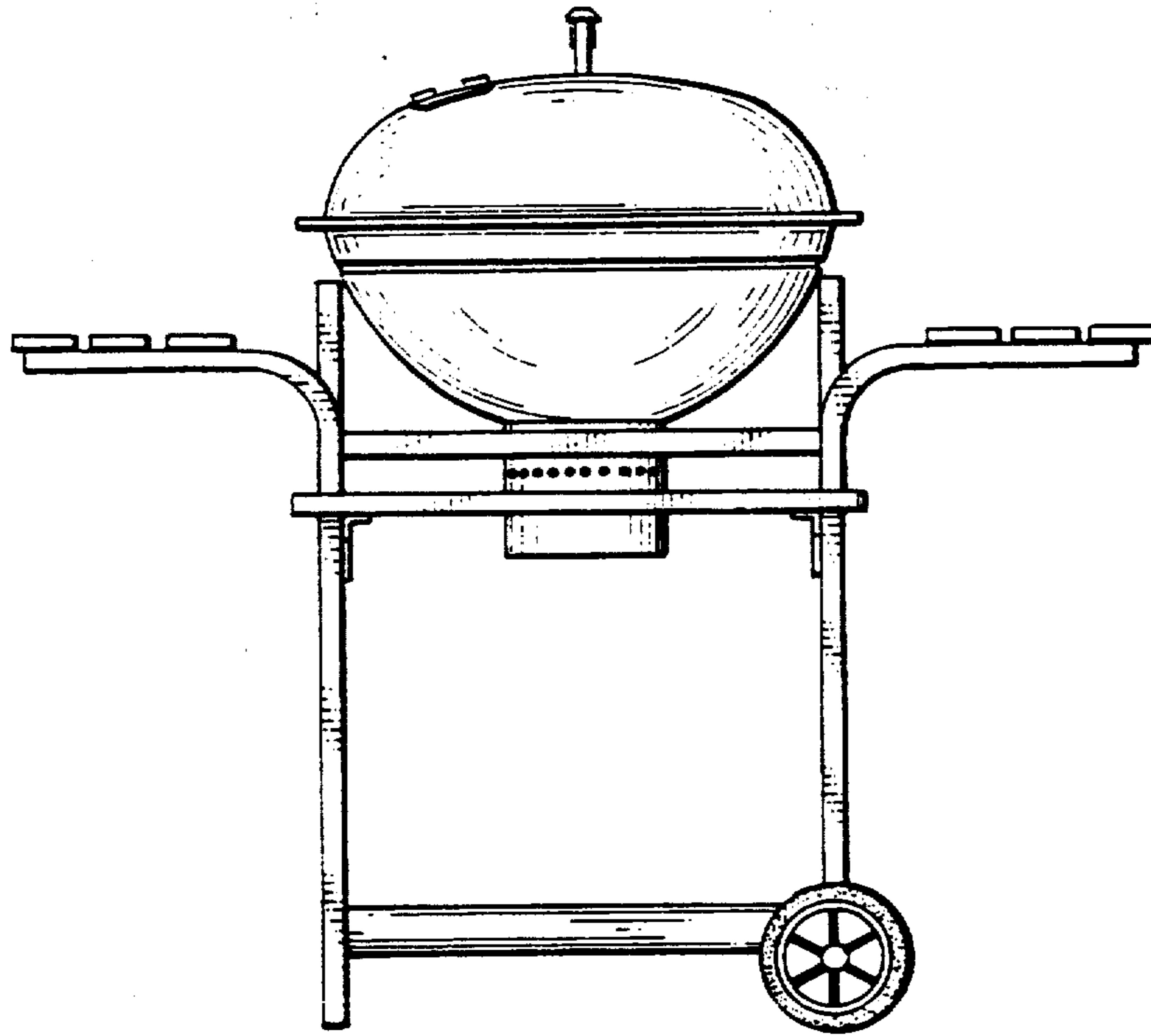


FIG. 3

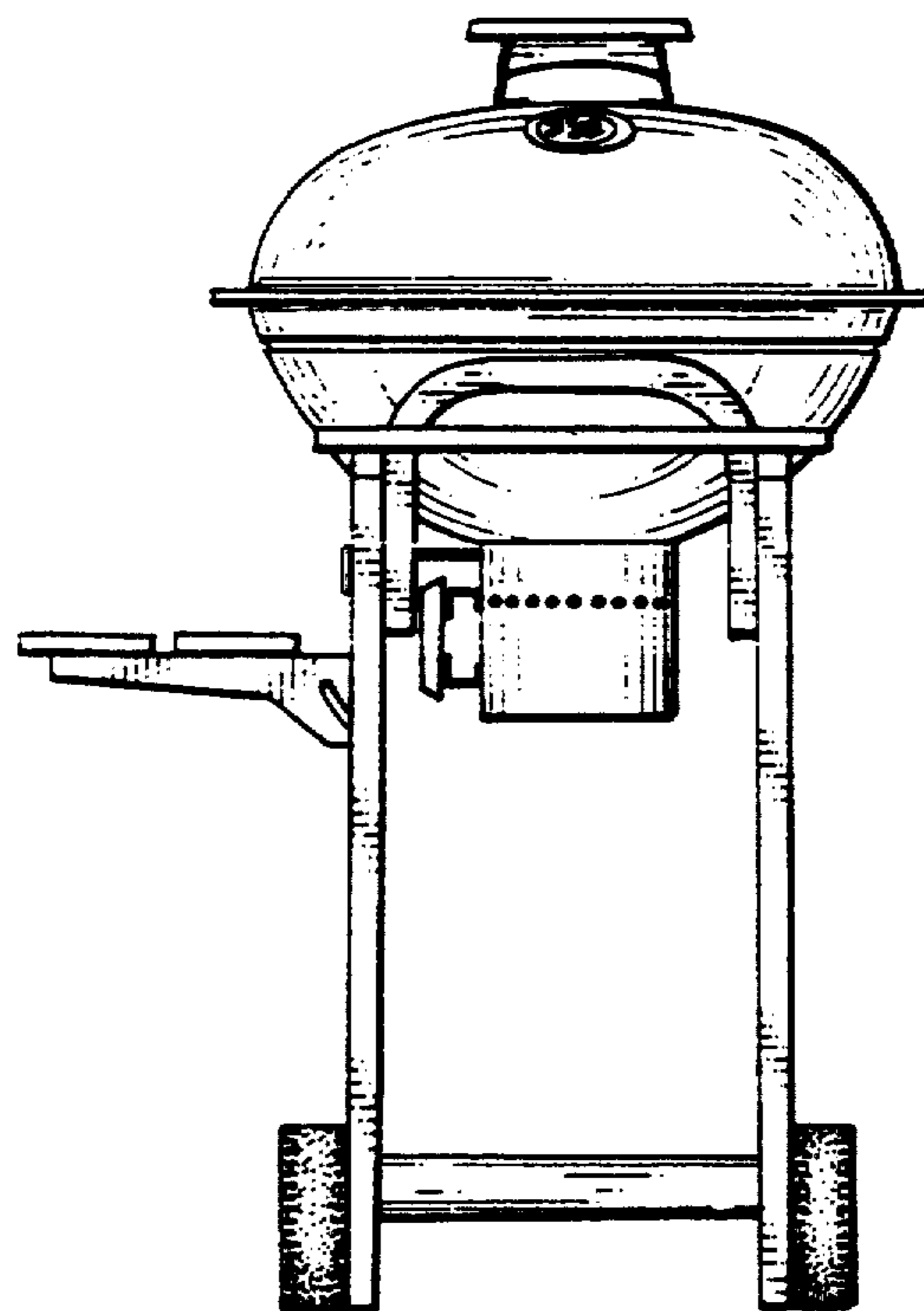


FIG. 4

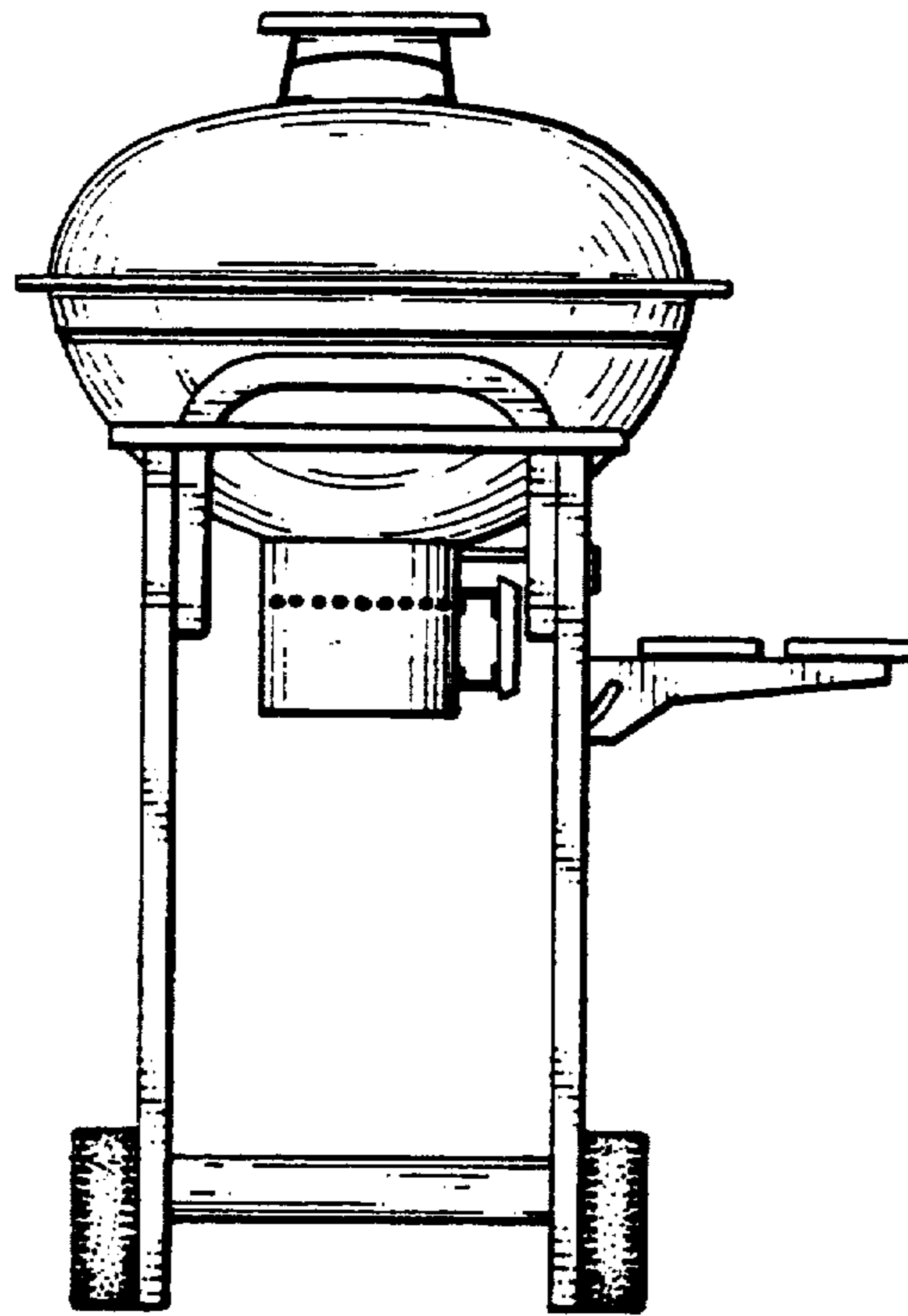


FIG. 5