



US00D351304S

United States Patent [19] Glass

[11] Patent Number: Des. 351,304

[45] Date of Patent: ** Oct. 11, 1994

[54] SOAP DISH

[75] Inventor: Henry P. Glass, Northfield, Ill.

[73] Assignee: Sally Designs, Ltd., Niles, Ill.

[**] Term: 14 Years

[21] Appl. No.: 3,883

[22] Filed: Jan. 21, 1993

[52] U.S. Cl. D6/536

[58] Field of Search D6/536, 539; 206/77.1

[56] References Cited

U.S. PATENT DOCUMENTS

| | | | |
|------------|---------|----------------------|------------|
| D. 154,649 | 7/1949 | White, Jr. | D6/536 |
| D. 298,498 | 1/1988 | Greenhut et al. | D6/536 |
| D. 312,740 | 12/1990 | Greenhut et al. | D6/536 |
| 2,886,916 | 5/1959 | Rossi | 206/77.1 X |
| 4,422,546 | 12/1983 | Charity | 206/77.1 |

Primary Examiner—Brian N. Vinson
Attorney, Agent, or Firm—David C. Brezina

[57] CLAIM

The ornamental design for a soap dish, as shown and described.

DESCRIPTION

FIG. 1 is a top, front, and right side perspective view of a soap dish showing my new design;

FIG. 2 is a top plan view thereof;

FIG. 3 is a vertical cross-sectional view thereof, taken along line 3—3 of FIG. 2;

FIG. 4 is a vertical cross-sectional view thereof, taken along line 4—4 of FIG. 2;

FIG. 5 is a bottom, rear, and left side perspective view thereof, showing the soap dish flipped over in an alternate position, and,

FIG. 6 is a bottom plan view thereof.

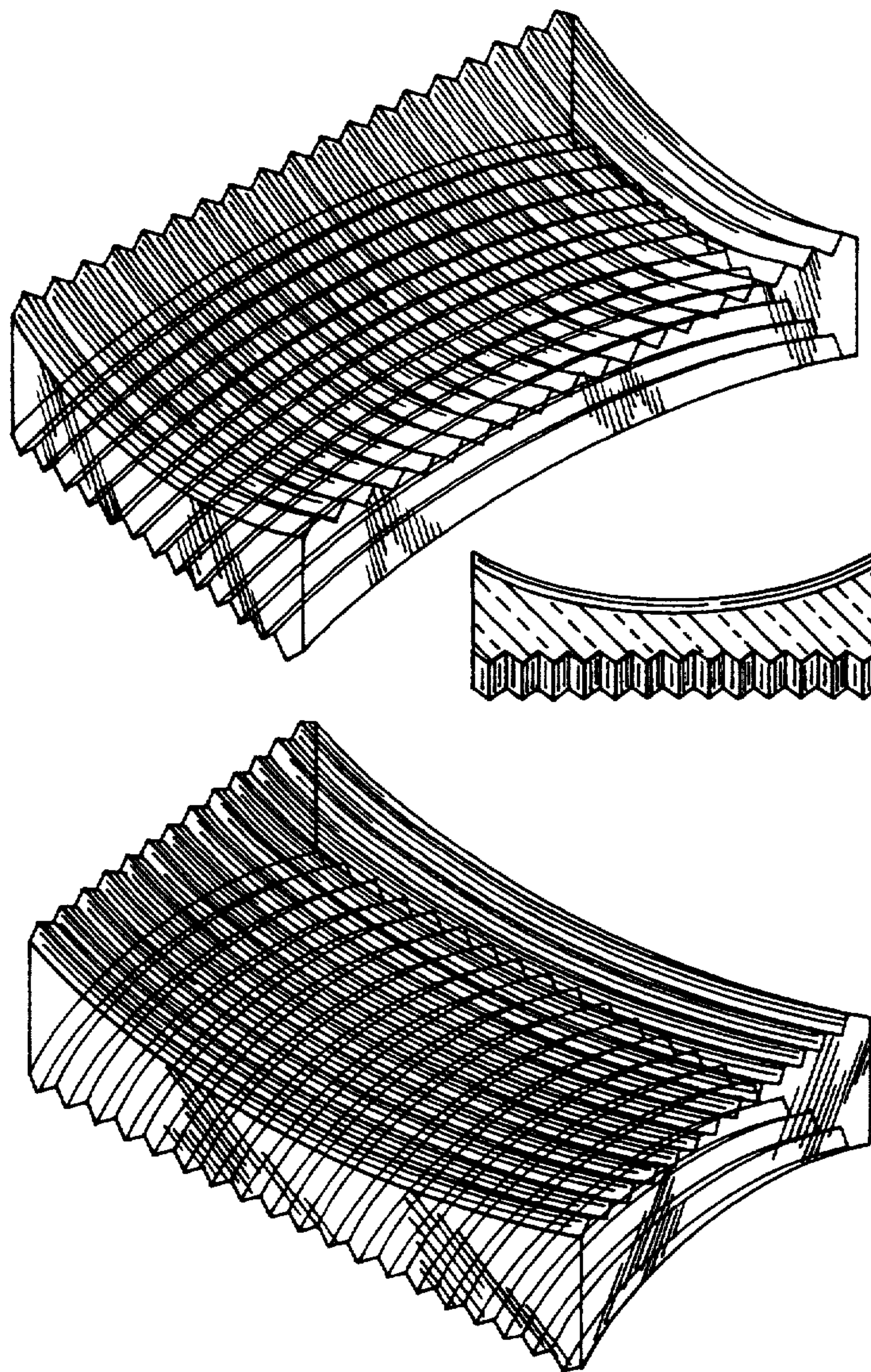


FIG.1

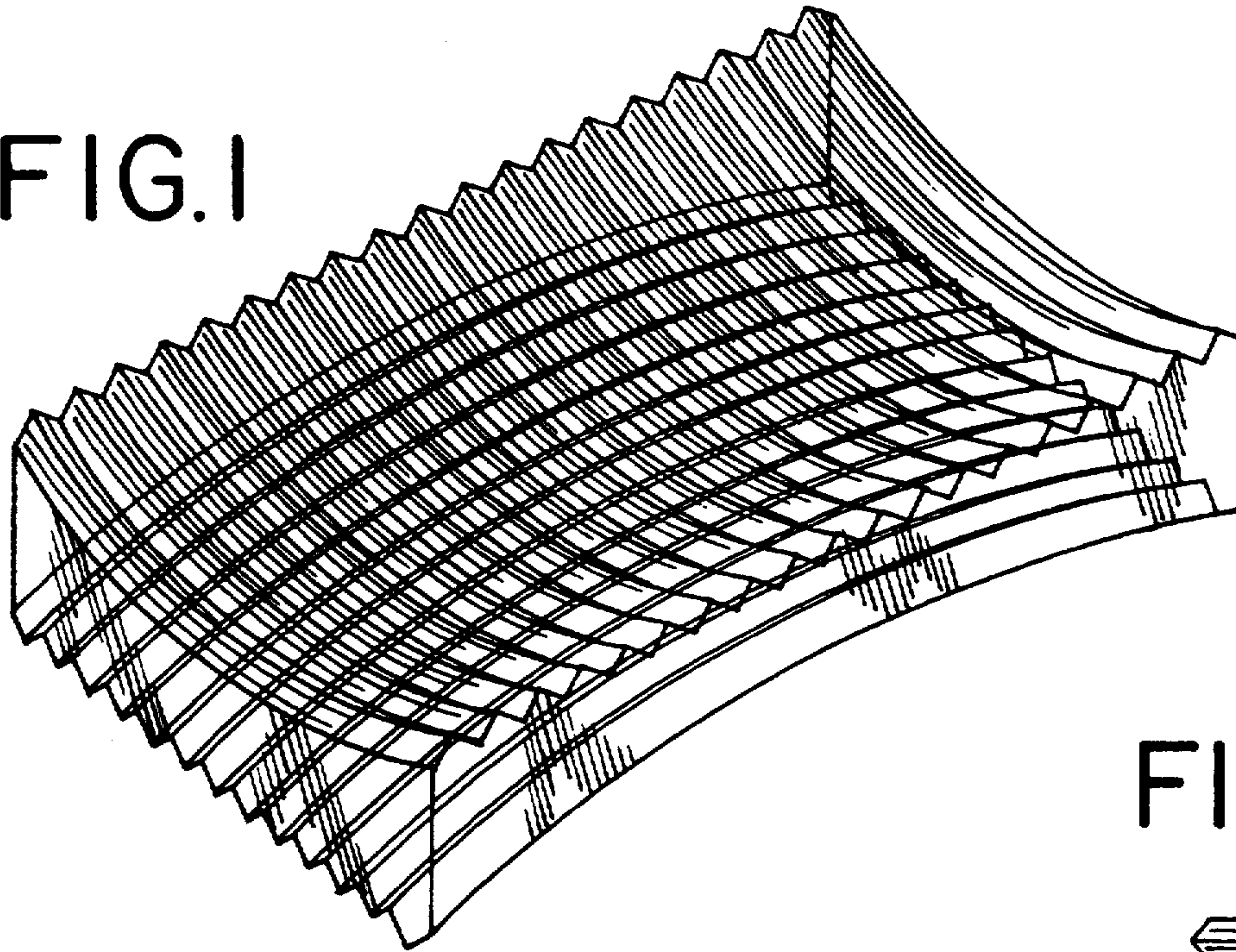


FIG.4

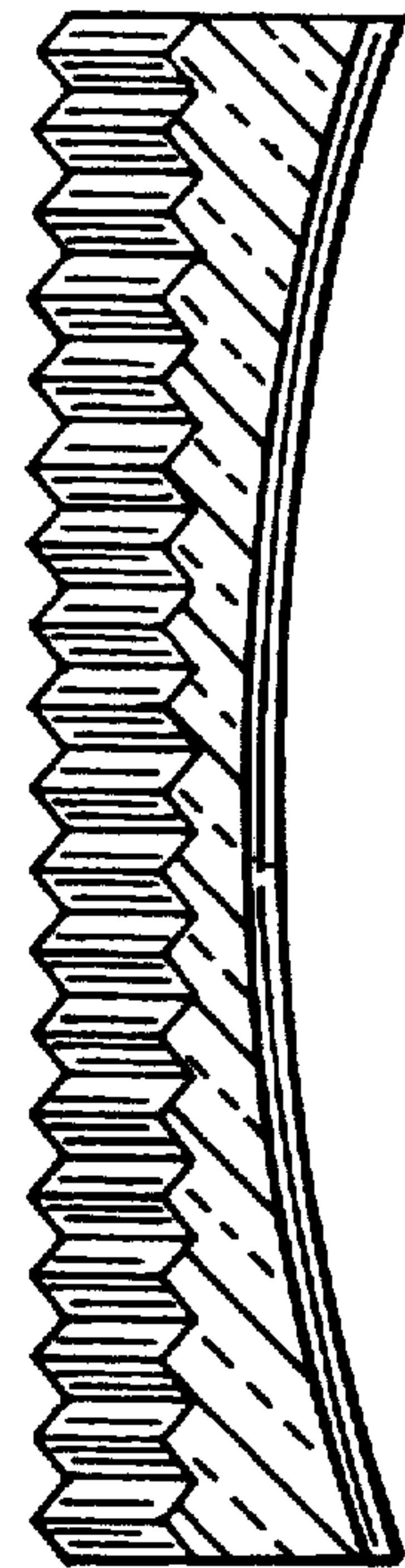


FIG.2

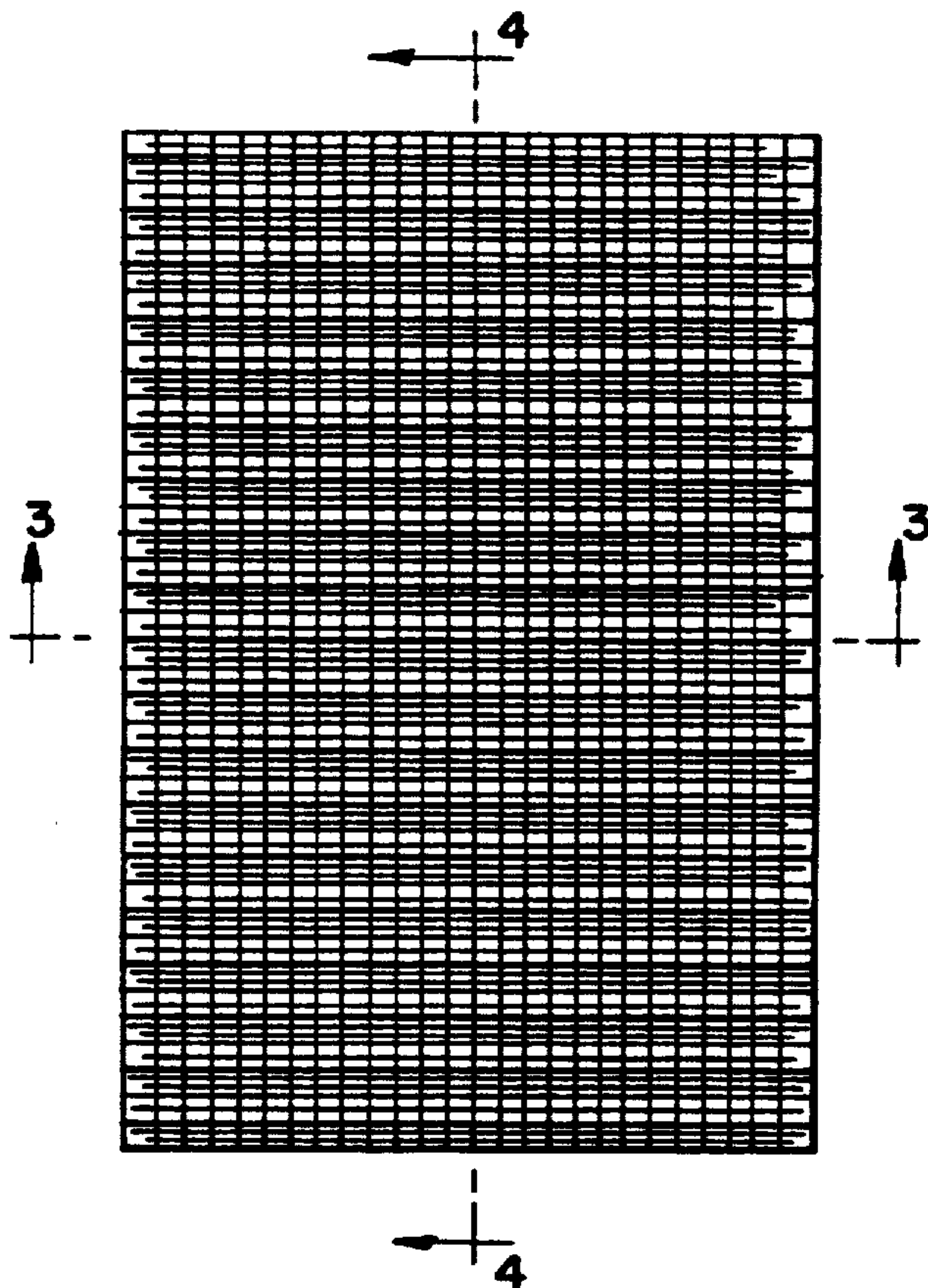


FIG.3

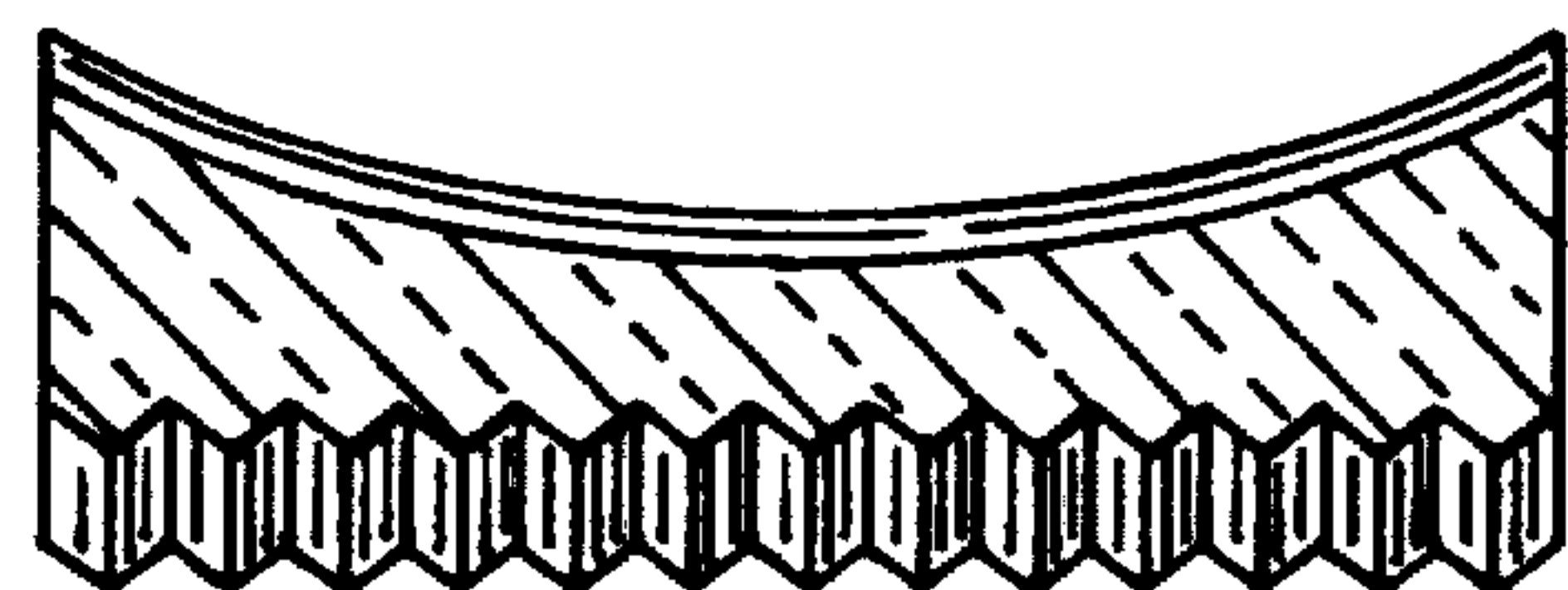


FIG.5

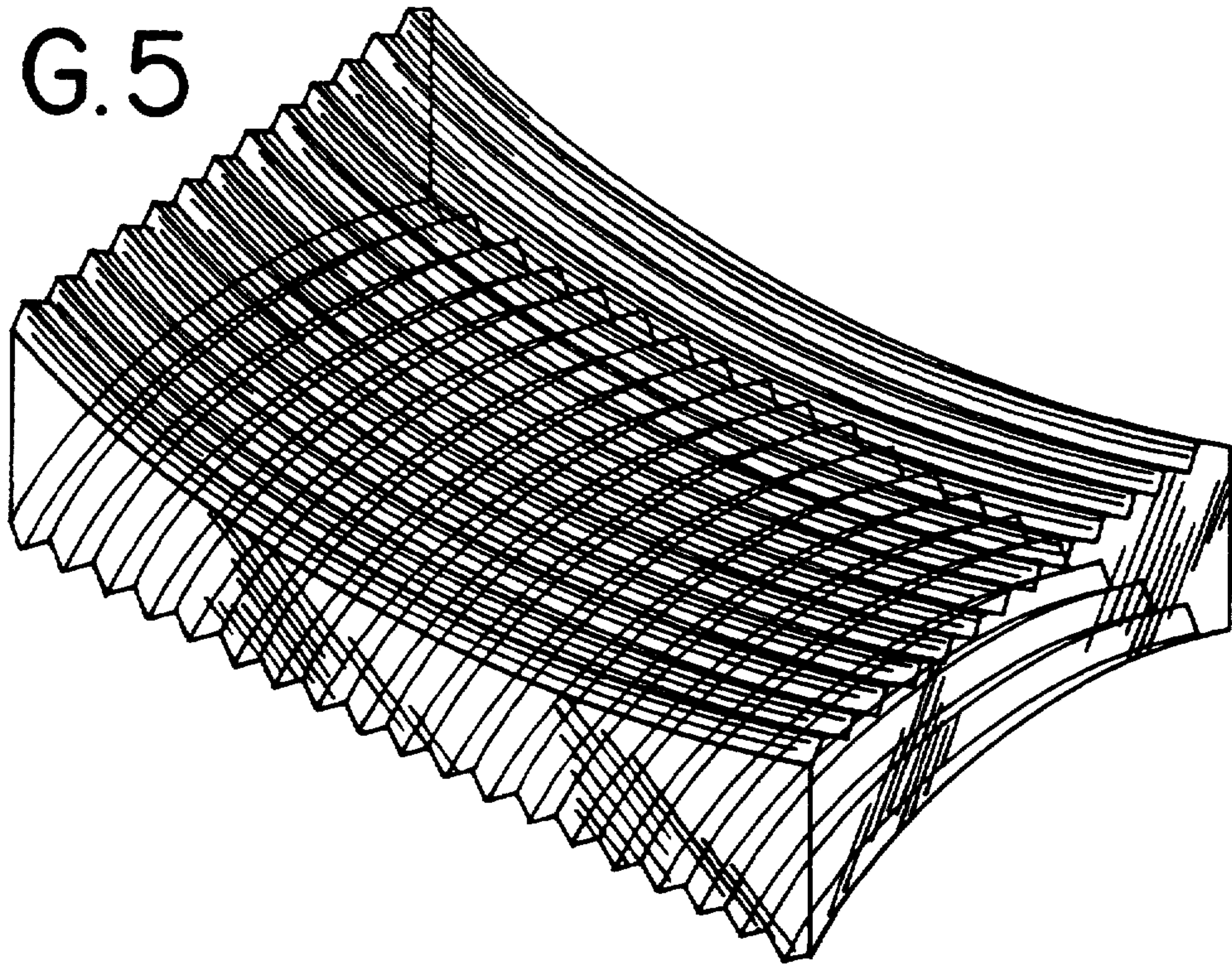


FIG.6

