



US00D351303S

# United States Patent [19]

[11] Patent Number: **Des. 351,303**

**Crawford et al.**

[45] Date of Patent: **\*\* Oct. 11, 1994**

[54] **DISPENSING ASSEMBLY**

D. 332,214 1/1993 Mulder et al. .... D6/522 X  
4,451,010 5/1984 Meyer ..... 242/55.53

[75] Inventors: **Dennis L. Crawford, Roberts, Wis.;**  
**Mark D. Rivas, Norwalk, Iowa**

*Primary Examiner*—Brian N. Vinson  
*Attorney, Agent, or Firm*—Gary L. Griswold; Walter N. Kirn; William L. Huebsch

[73] Assignee: **Minnesota Mining and Manufacturing Company, St. Paul, Minn.**

[57] **CLAIM**

[\*\*] Term: **14 Years**

The ornamental design for a dispensing assembly, as shown and described.

[21] Appl. No.: **4,921**

**DESCRIPTION**

[22] Filed: **Feb. 16, 1993**

FIG. 1 is a top, front, and left side perspective view of a dispensing assembly showing our new design;

[52] U.S. Cl. .... **D6/518**

FIG. 2 is a bottom, rear, and right side perspective view thereof;

[58] Field of Search ..... D6/515, 517-518,  
D6/522-523; 242/55.2, 55.3, 55.42, 55.53

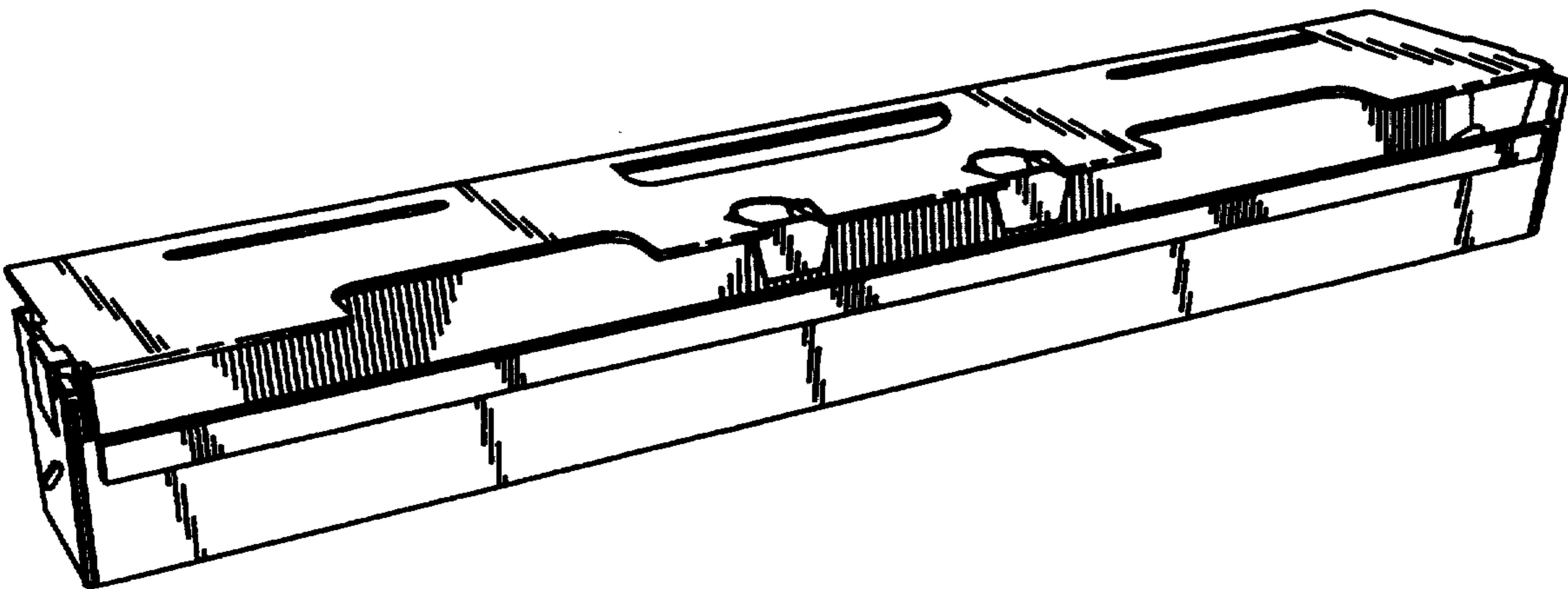
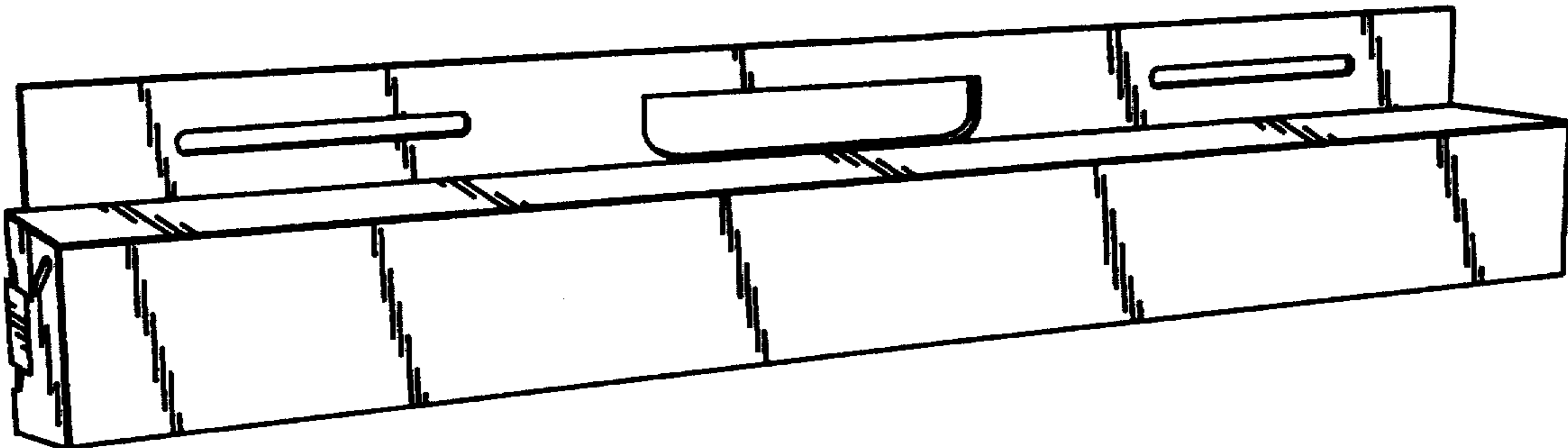
FIG. 3 is a bottom, rear, and right side perspective view thereof, shown in an open position with the broken-line disclosure of a roll being for illustrative purposes only and forming no part of the claimed design; and,

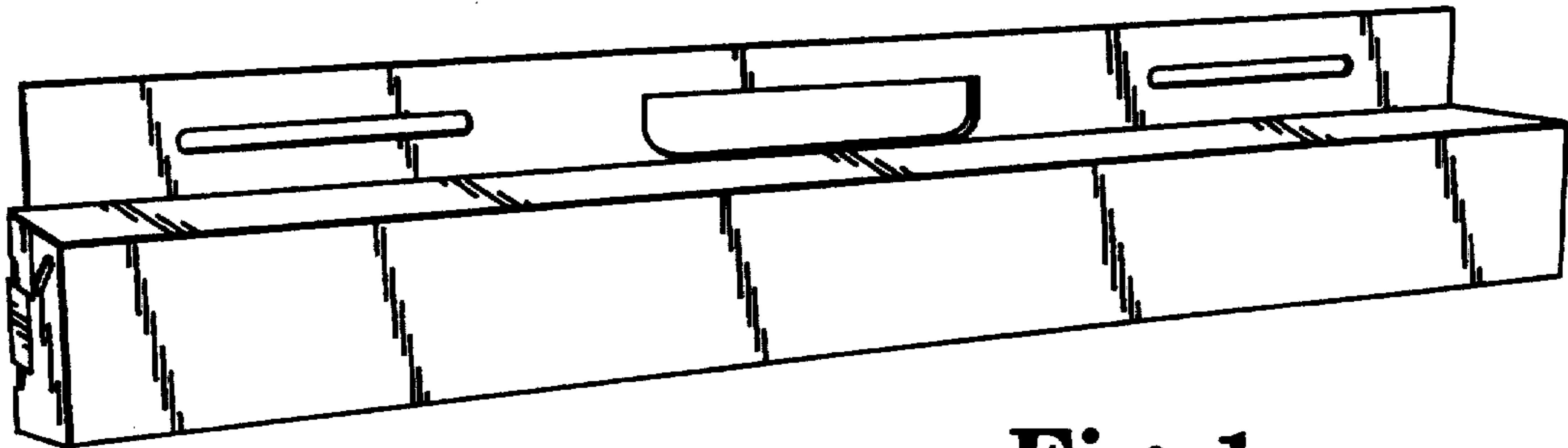
[56] **References Cited**

**U.S. PATENT DOCUMENTS**

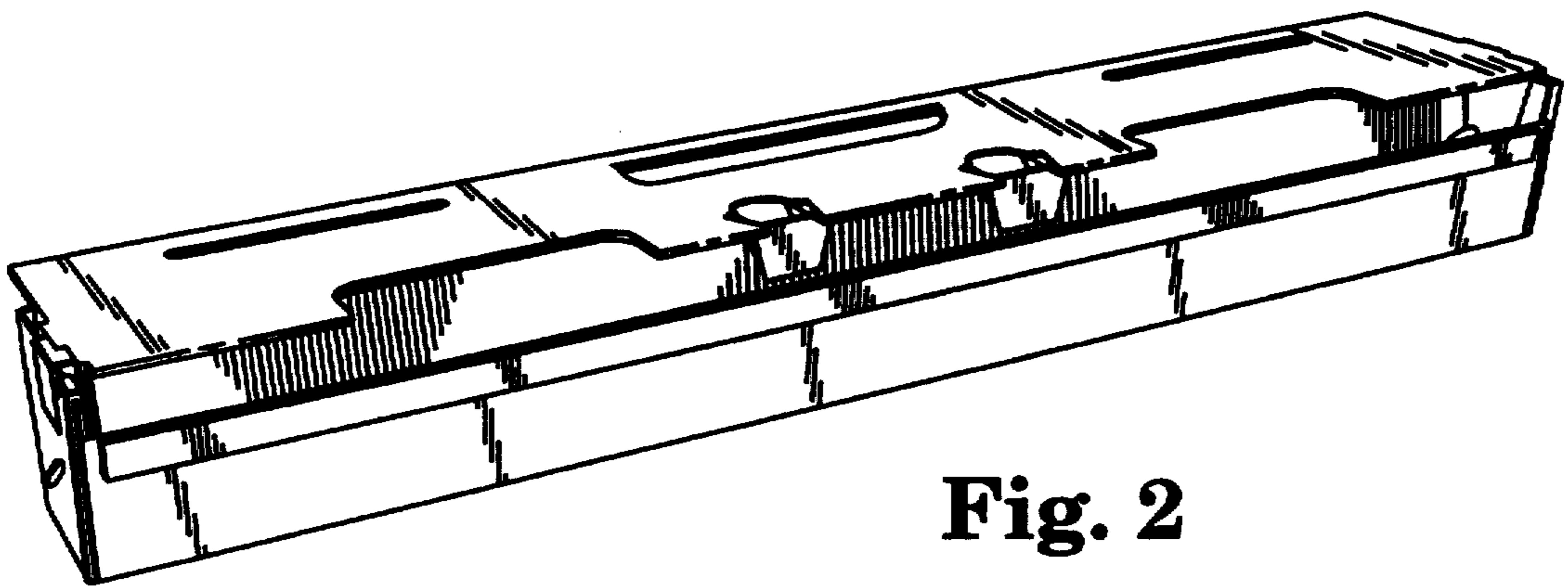
D. 215,671 10/1969 Knight, Jr. et al. .... D6/518  
D. 329,956 10/1992 Stewart ..... D6/520

FIG. 4 is a bottom, rear, and right side perspective view thereof, shown in an open position.

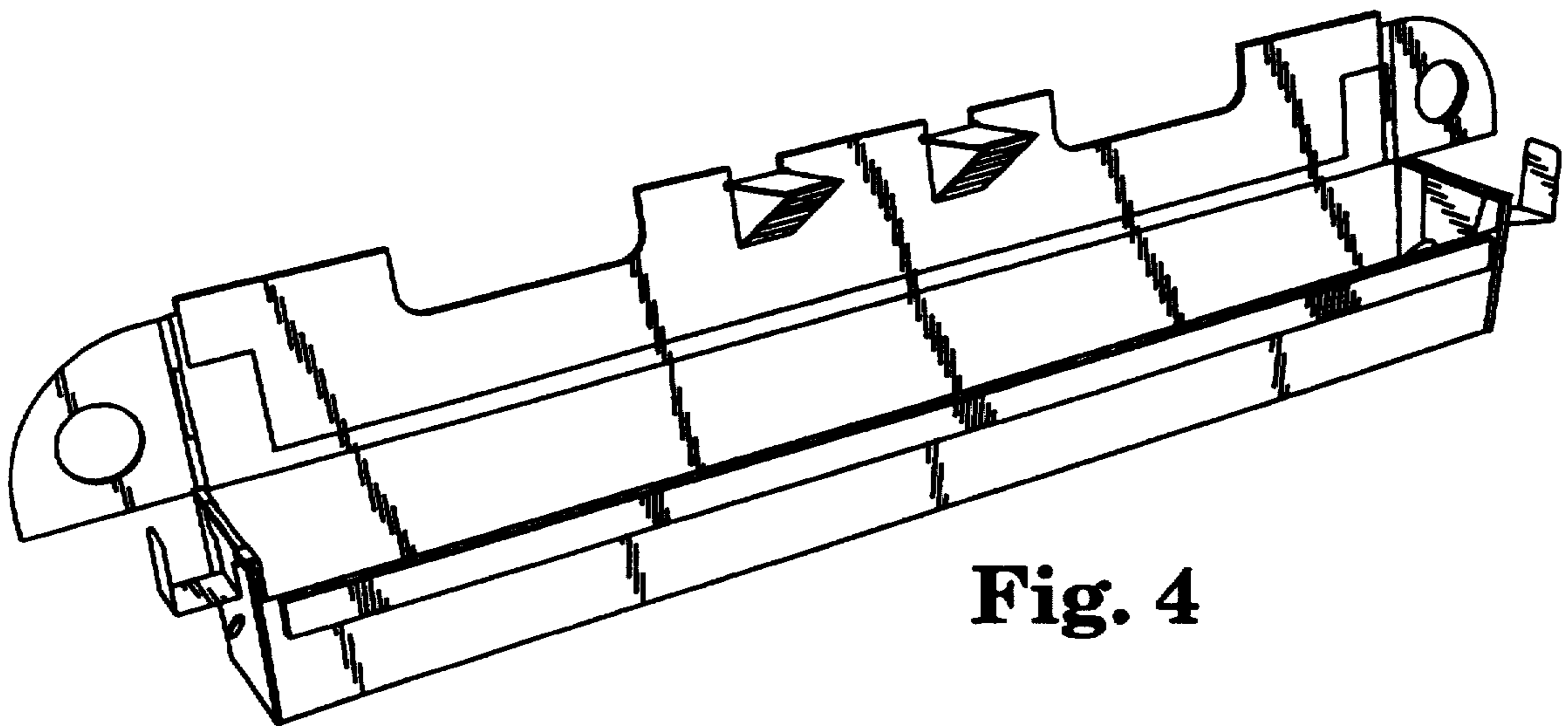




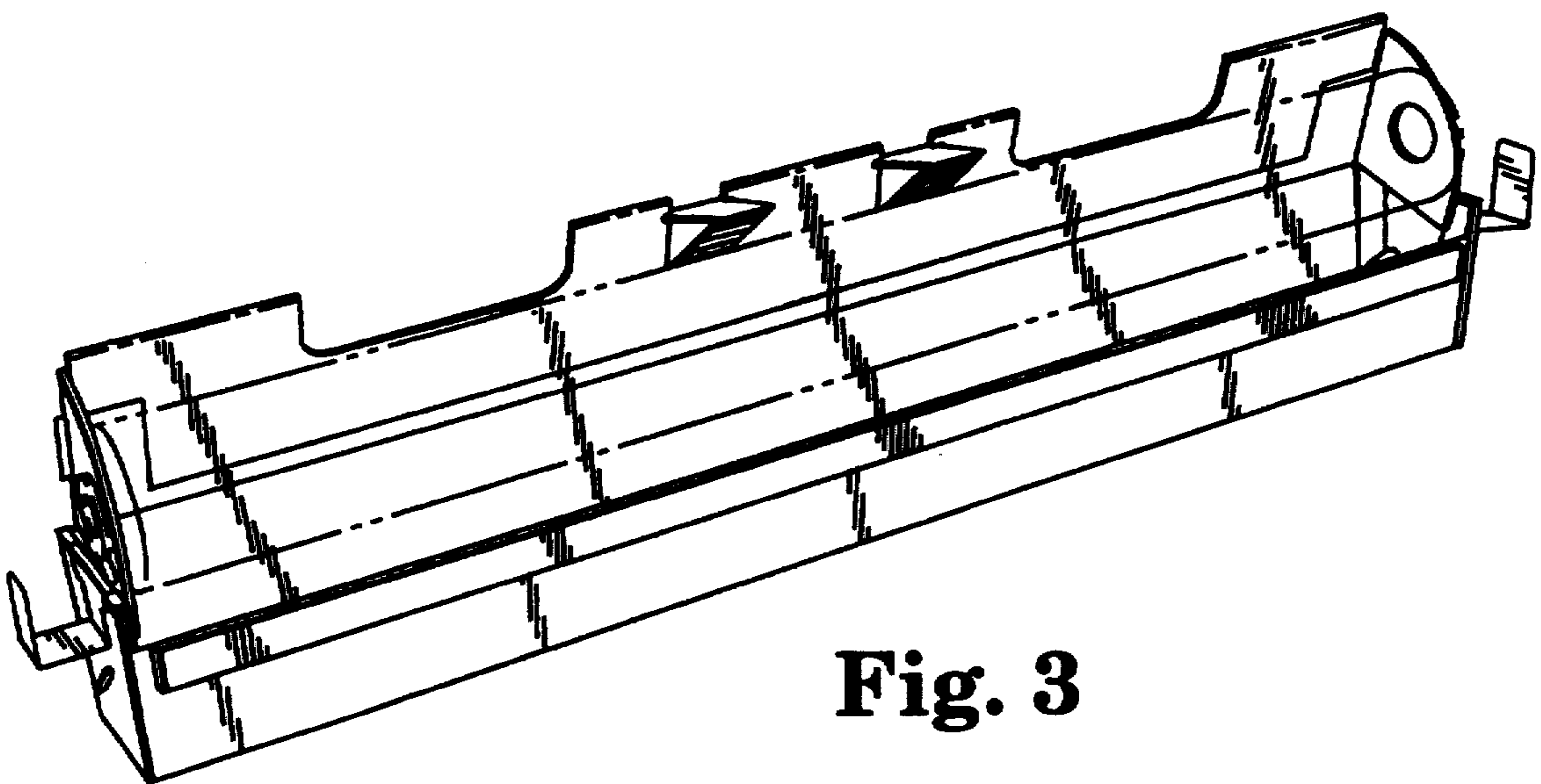
**Fig. 1**



**Fig. 2**



**Fig. 4**



**Fig. 3**