



US00D351299S

United States Patent [19]
Barrish

[11] **Patent Number: Des. 351,299**

[45] **Date of Patent: ** Oct. 11, 1994**

[54] **FOOD KIOSK**

[76] **Inventor: Sidney Barrish, 55 Newkirk Rd. North, Richmond Hill, Ontario, Canada, L4C 3G4**

[**] **Term: 14 Years**

[21] **Appl. No.: 13,221**

[22] **Filed: Sep. 21, 1993**

D. 241,897	10/1976	Weaver	D6/481
D. 245,101	7/1977	Spillman et al.	D25/16
D. 265,617	8/1982	Saurage III et al.	D6/481
D. 328,206	7/1992	Levis	D6/481
2,660,504	11/1953	Bridge	312/239

*Primary Examiner—Janice E. Seeger
Attorney, Agent, or Firm—Bauer & Schaffer*

[57] **CLAIM**

The ornamental design for food kiosk, as shown and described.

Related U.S. Application Data

[62] Division of Ser. No. 892,000, Jun. 2, 1992.

[52] **U.S. Cl.** **D6/481**

[58] **Field of Search** D6/481, 474, 411, 414; 312/140.1, 140.2, 239; D25/16, 58

DESCRIPTION

FIG. 1 is a perspective view of the food kiosk according to the design;

FIG. 2 is a top plan view of the kiosk according to FIG. 1;

FIG. 3 is a bottom plan view of the kiosk;

FIG. 4 is a front elevation of the kiosk;

FIG. 5 is a rear elevation of the kiosk;

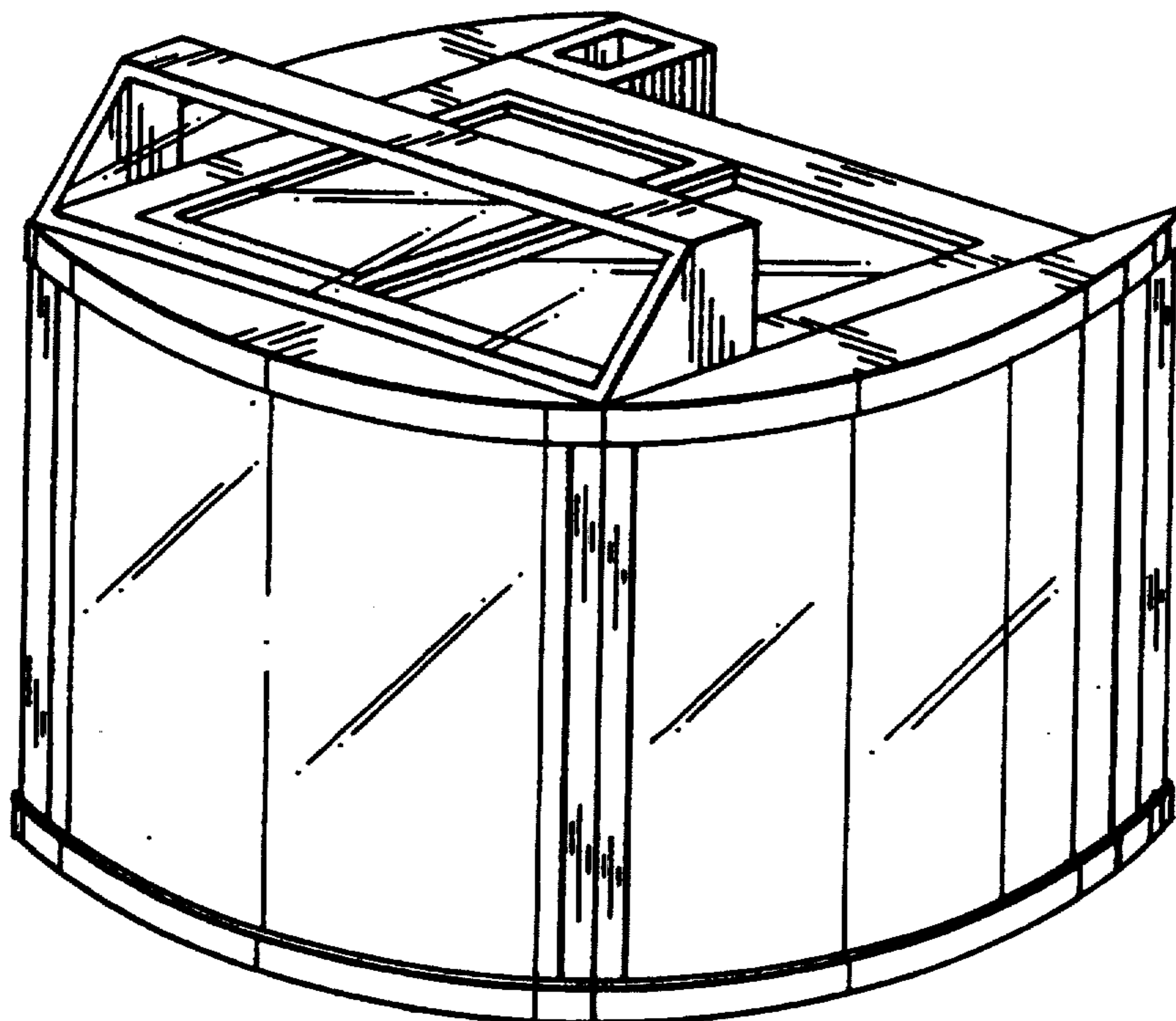
FIG. 6 is a side elevational view of the kiosk; and,

FIG. 7 is an elevational view, showing the side opposite that shown in FIG. 6.

[56] **References Cited**

U.S. PATENT DOCUMENTS

D. 105,764	8/1937	Hunter	D25/16 X
D. 139,893	1/1945	Roberts et al.	D6/481
D. 197,497	2/1964	Heidemann	D25/16 X



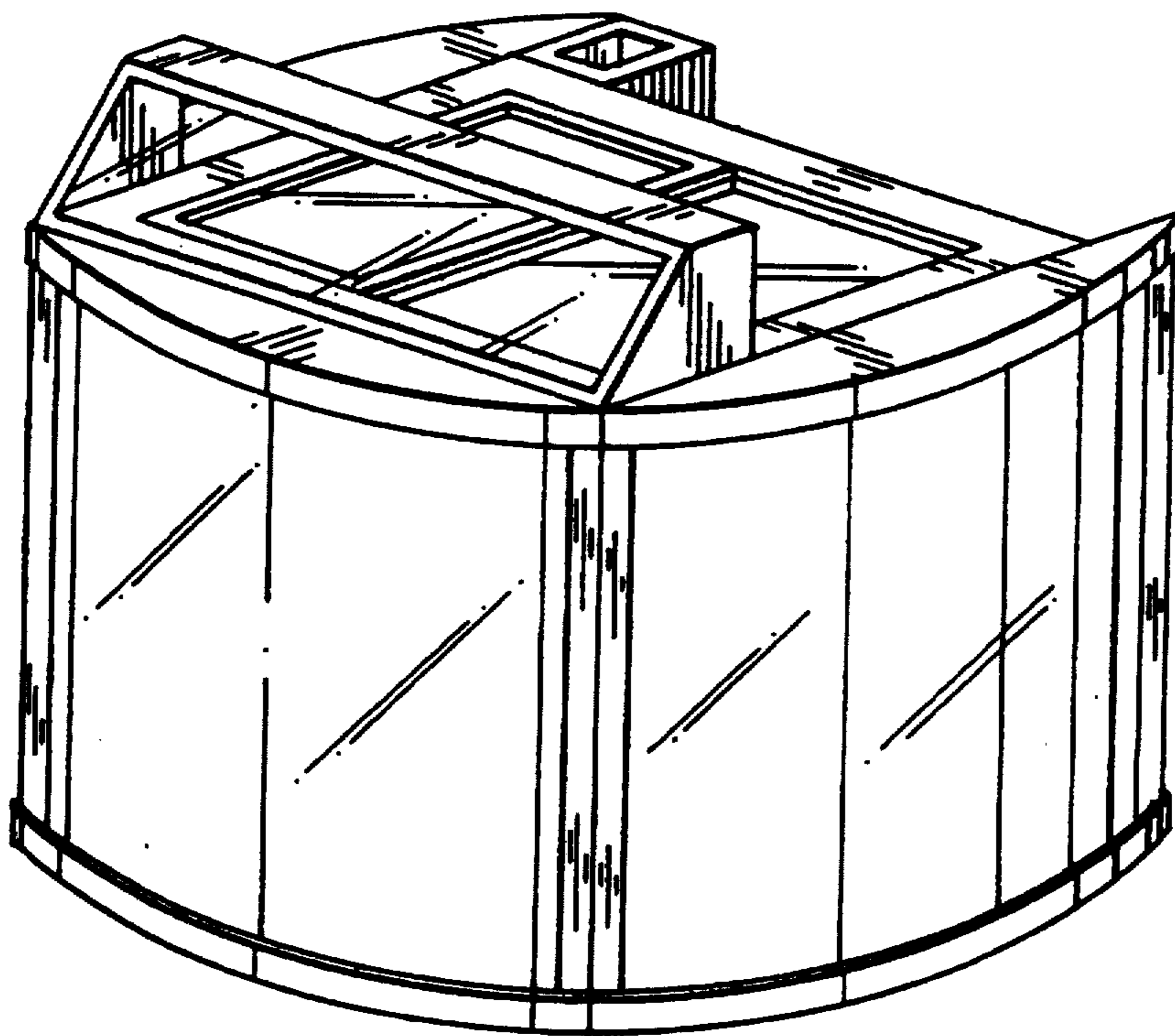


FIG. 1

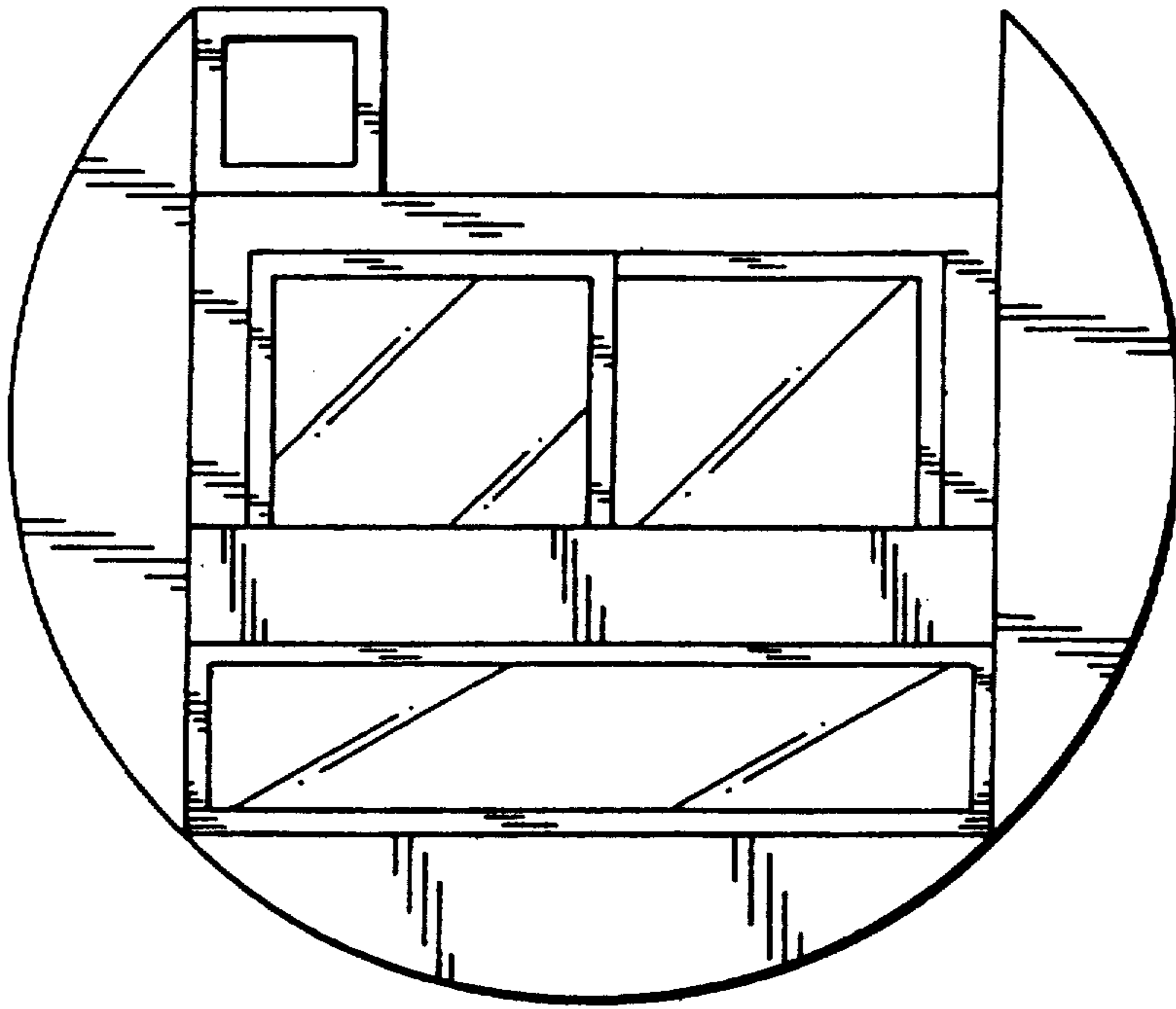


FIG. 2

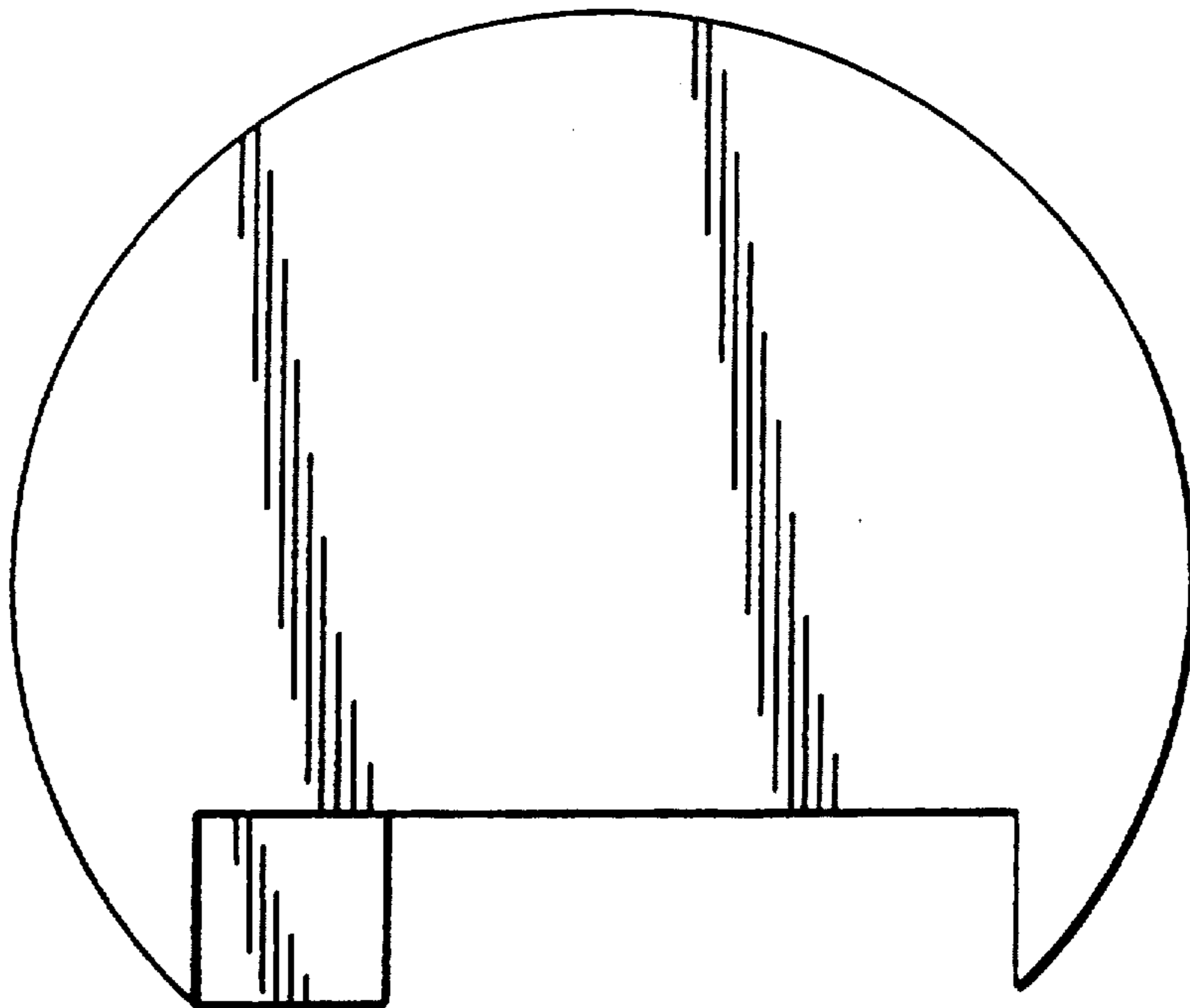


FIG. 3

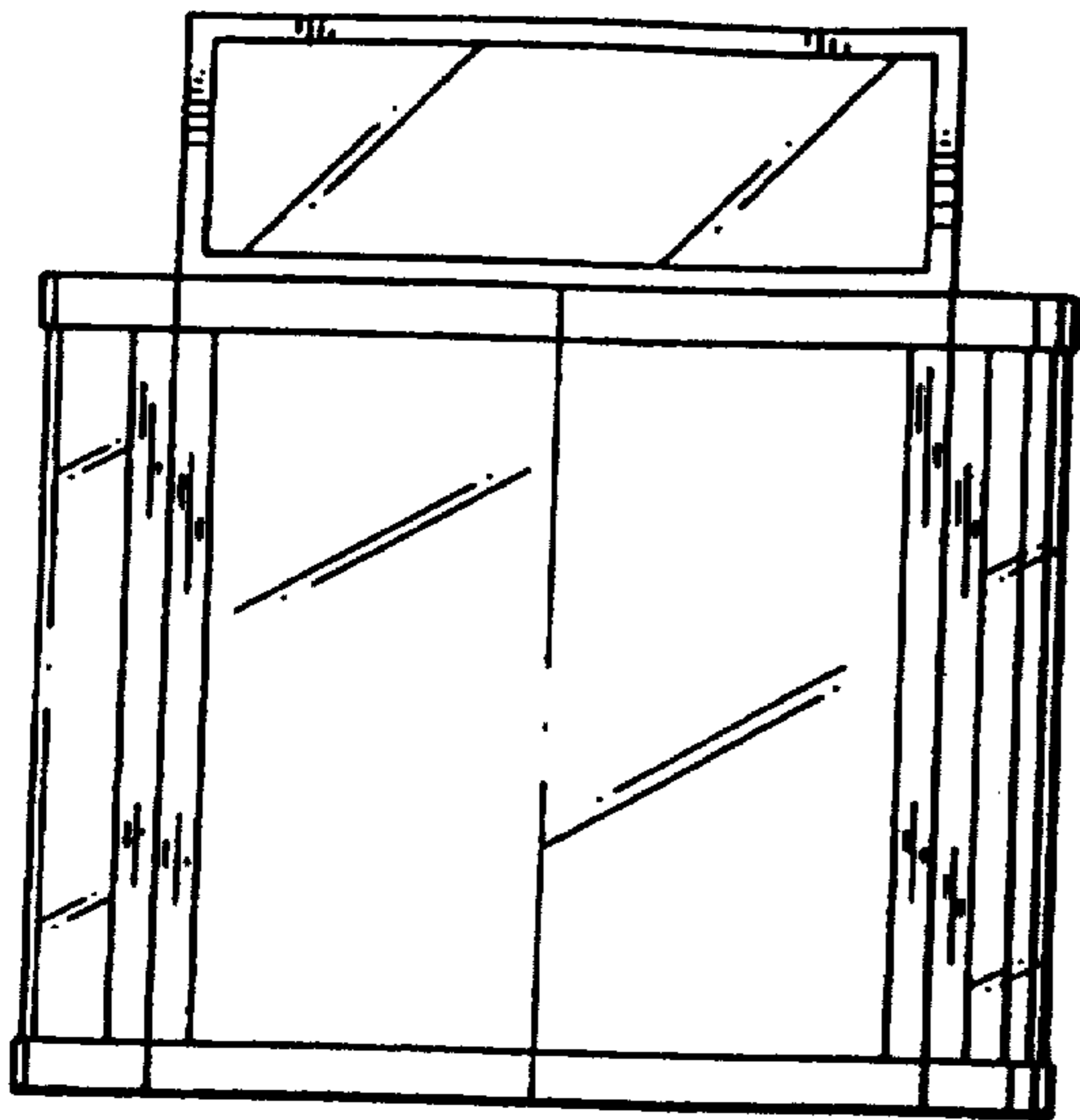


FIG. 4

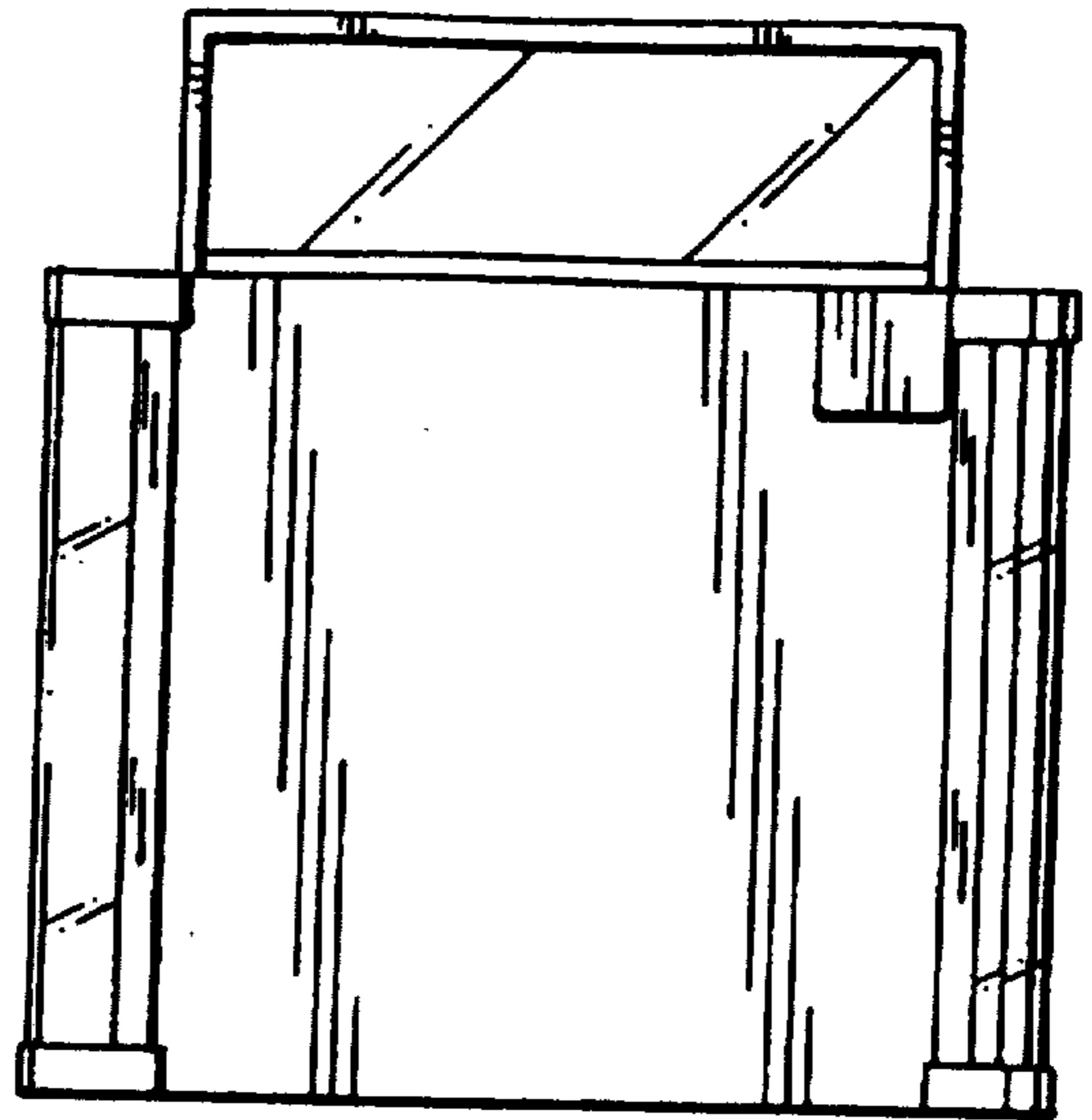


FIG. 5

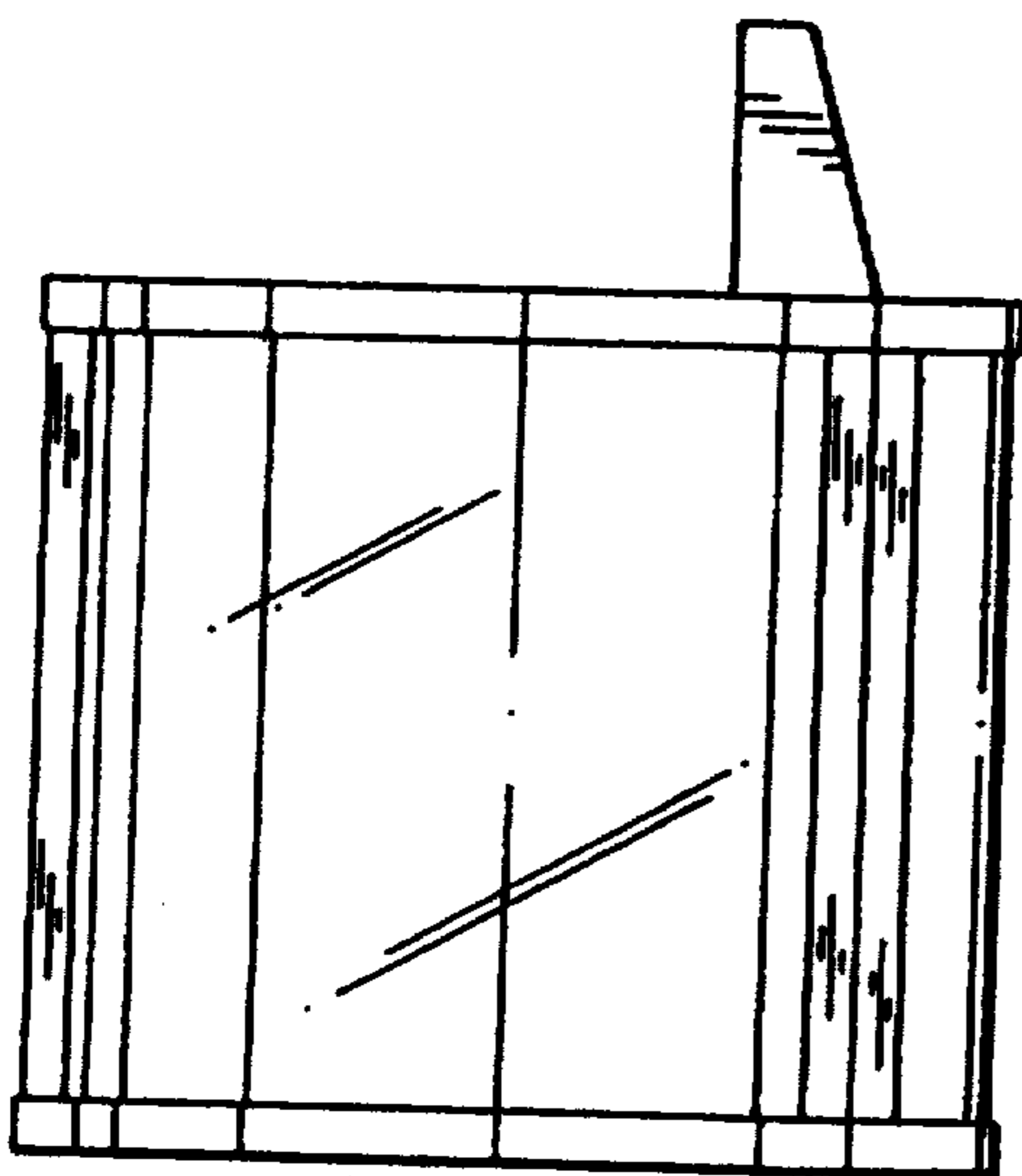


FIG. 6

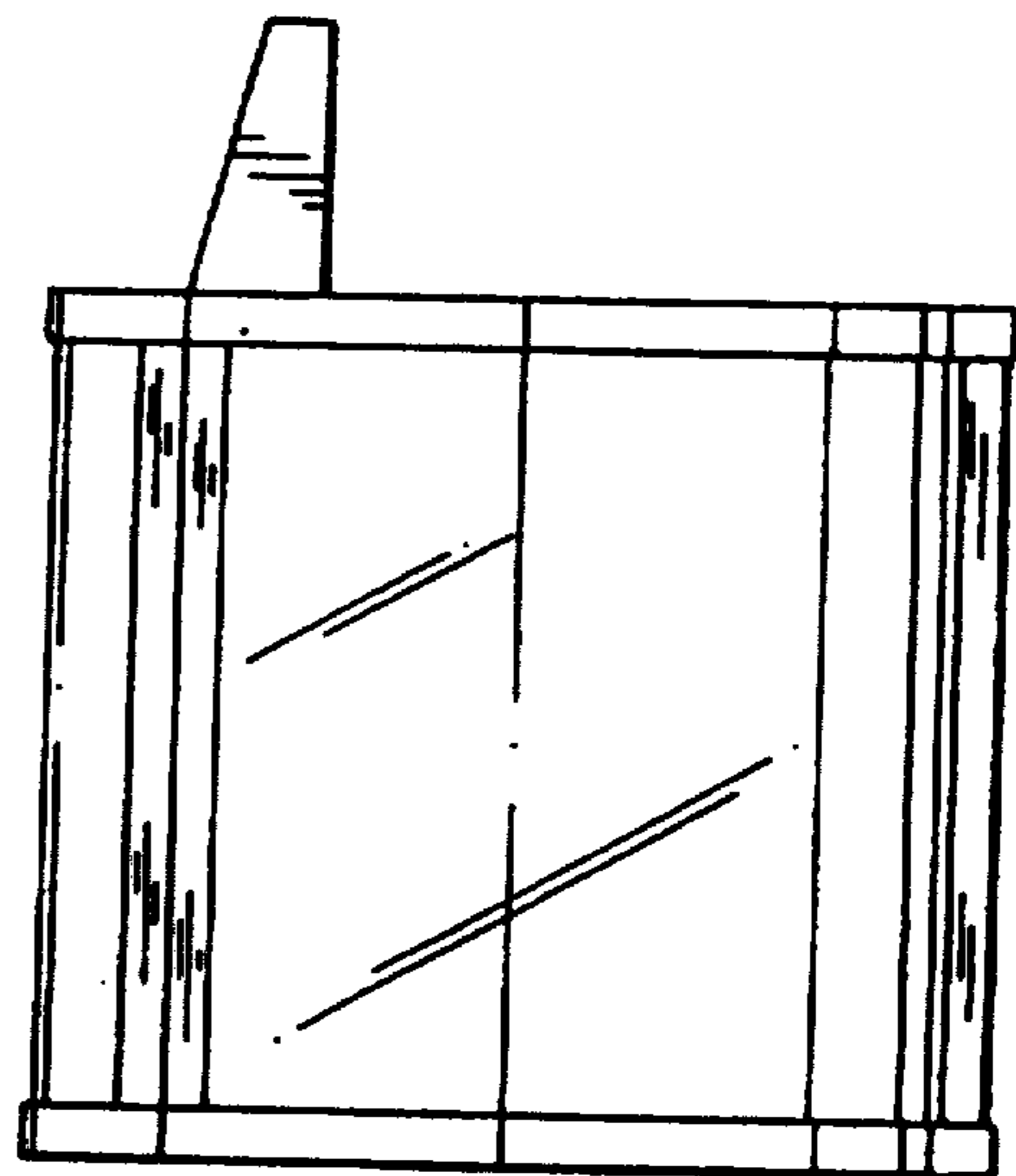


FIG. 7

UNITED STATES PATENT AND TRADEMARK OFFICE
CERTIFICATE OF CORRECTION

PATENT NO. : Des. 351,299
DATED : October 11, 1994
INVENTOR(S) : Sidney Barish

It is certified that error appears in the above-identified patent and that said Letters Patent are hereby corrected as shown below:

Title Page, in the heading: "Barrish" should be --Barish--

Title Page, [76] Inventor: "Barrish" should be --Barish--

Insert the following:

--[30] Foreign Application Priority Data
Dec. 12, 1991 [CA] Canada.....12-12-91-5 --

Signed and Sealed this
Twentieth Day of December, 1994

Attest:



BRUCE LEHMAN

Attesting Officer

Commissioner of Patents and Trademarks