



US00D351296S

United States Patent [19]

[11] Patent Number: Des. 351,296

Emalfarb et al.

[45] Date of Patent: ** Oct. 11, 1994

[54] **PLANT TERRACE CORNER SECTION**

[76] Inventors: **Seymour Emalfarb**, 1585 Saunders Rd., River Woods, Ill. 60015;
Bradley S. Emalfarb, 26529 N. Highway 83, Mundelein, Ill. 60060

[**] Term: **14 Years**

[21] Appl. No.: **930,302**

[22] Filed: **Aug. 17, 1992**

[52] U.S. Cl. **D6/405**

[58] Field of Search **D6/405, 462, 470, 567, D6/465, 464, 474, 404; 108/59; 206/45; D7/616, 619**

[56] **References Cited**

PUBLICATIONS

Circle Metal Mfg. Co. Advertisement—"The Gift and Art Buyer" Apr. 1954, p. 120.

"The Catalogue for Home & Garden"—David Kay, Spring/Summer 1990—Versatile Plant Stands—p. 11. Gardener's Eden, Summer 1991—Etageres A Fleurs.

Primary Examiner—Alan P. Douglas

Assistant Examiner—S. Snapp

Attorney, Agent, or Firm—Wood, Phillips, VanSanten, Hoffman & Ertel

[57] **CLAIM**

The ornamental design of a plant terrace corner section, as shown and described.

DESCRIPTION

FIG. 1 is a perspective view of a plant terrace corner section showing my new design; FIG. 2 is a top plan view thereof; FIG. 3 is a front elevation view thereof; FIG. 4 is a rear elevation view thereof; FIG. 5 is a right elevation view thereof, the left side elevation thereof being a mirror image; and, FIG. 6 is a bottom plan view thereof.

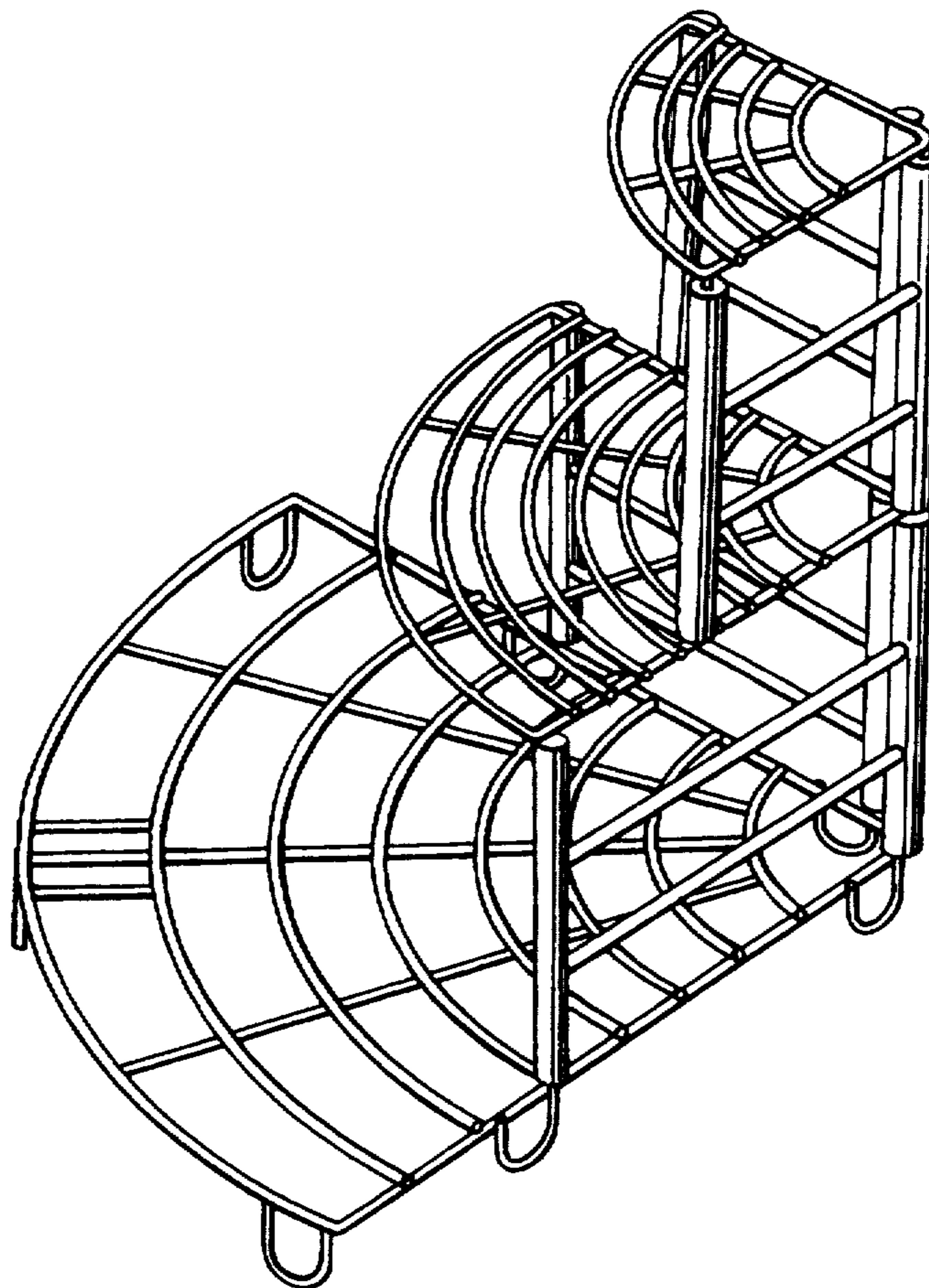


FIG. 1

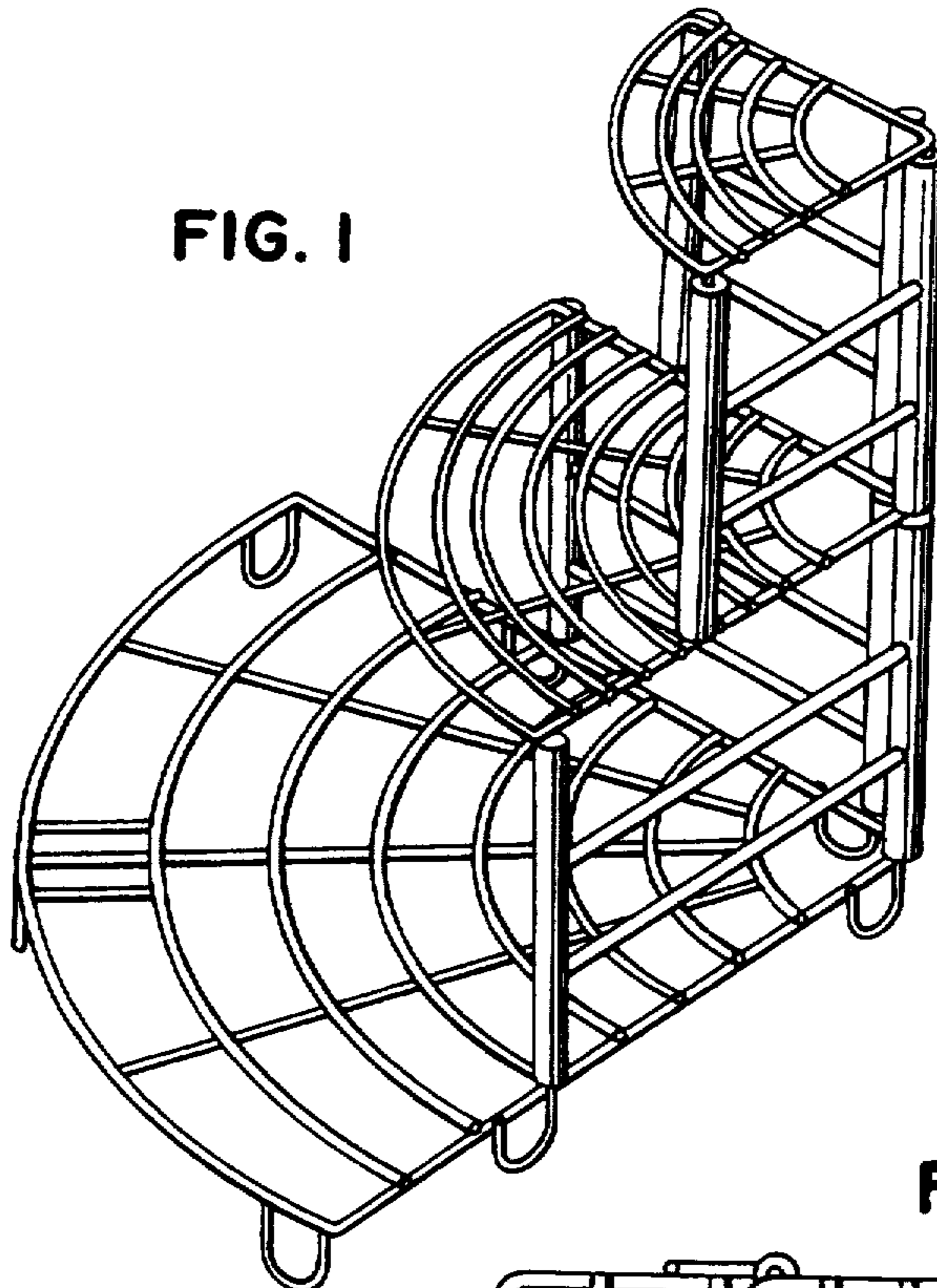


FIG. 2

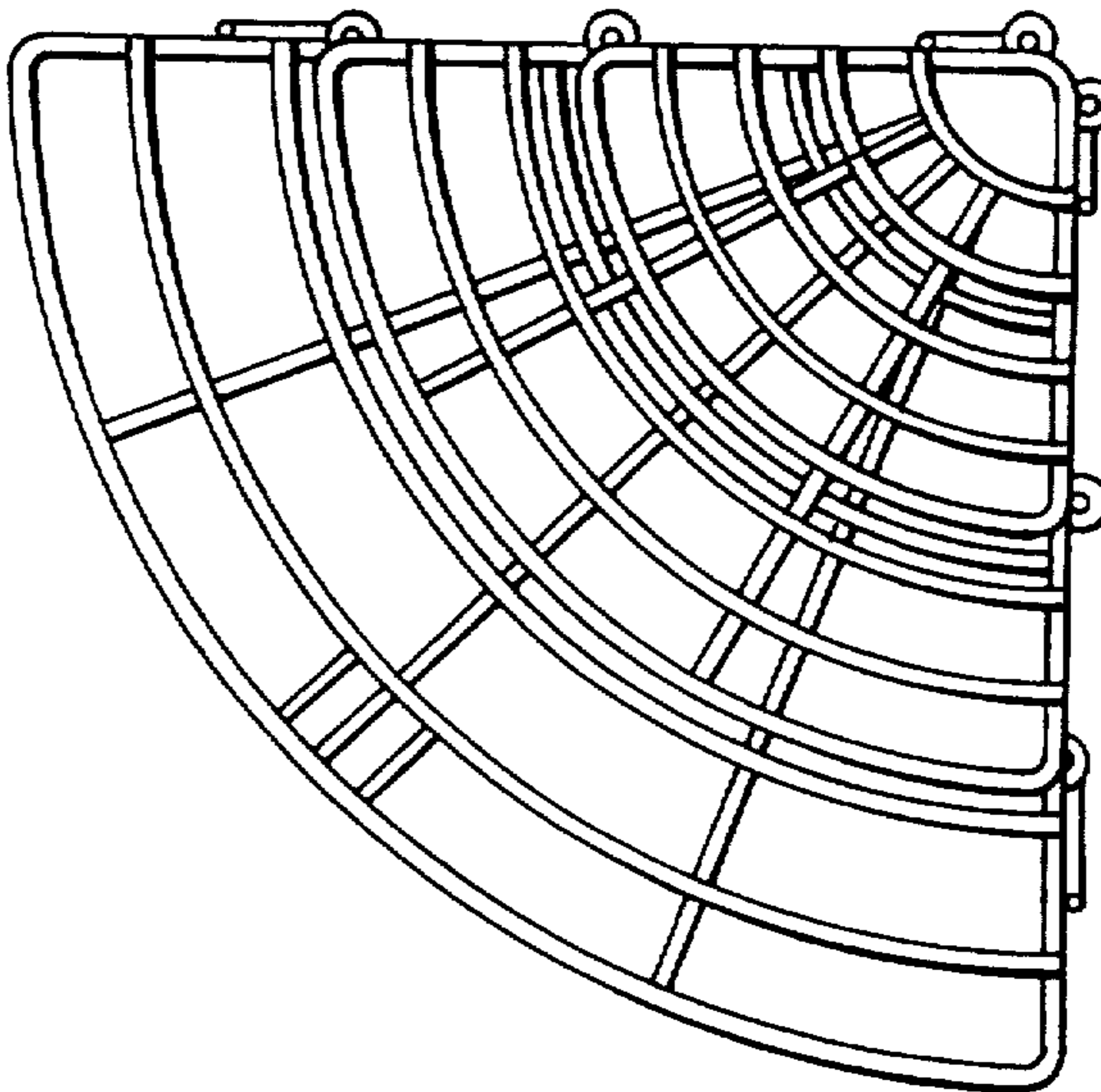


FIG. 3

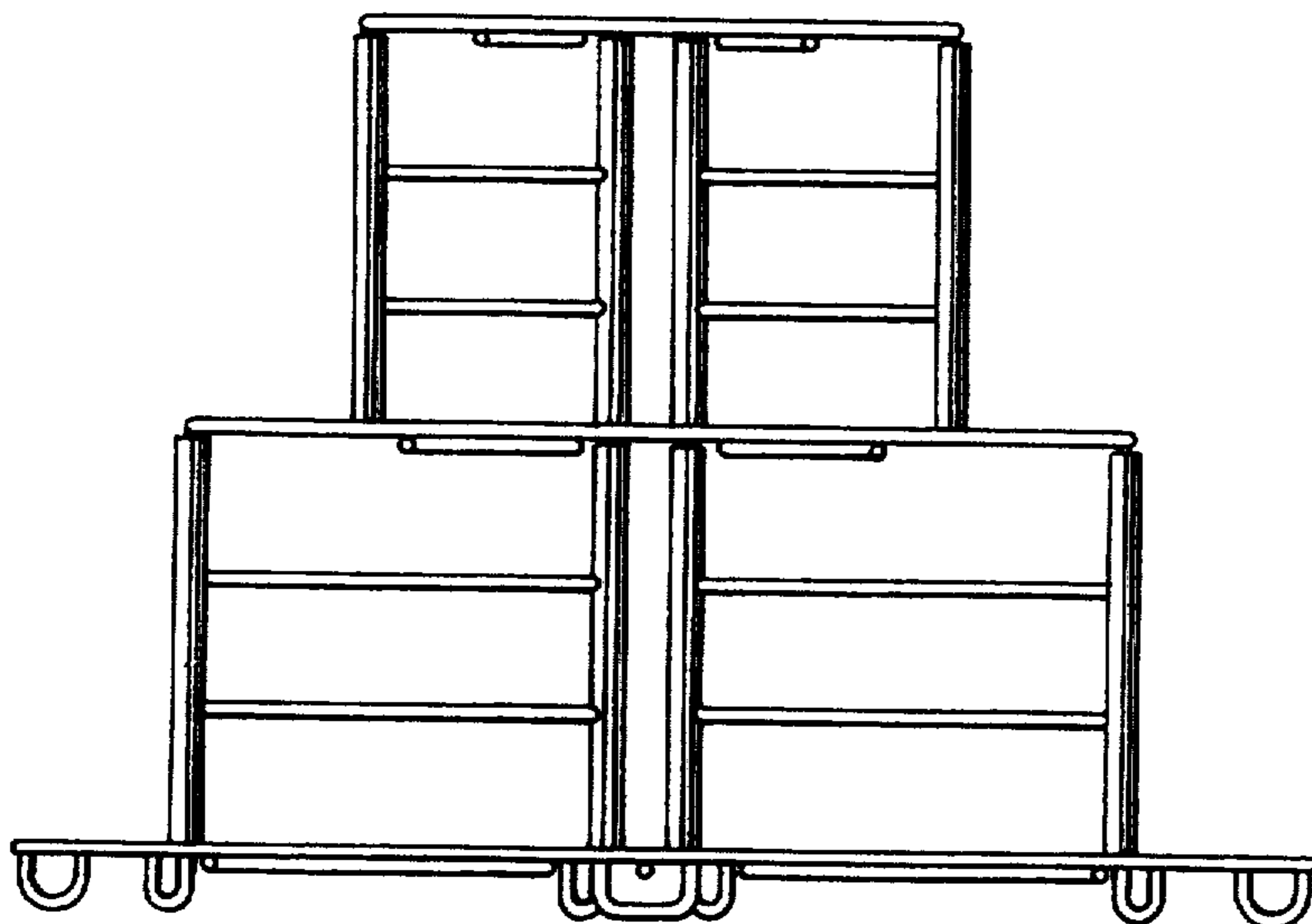


FIG. 4

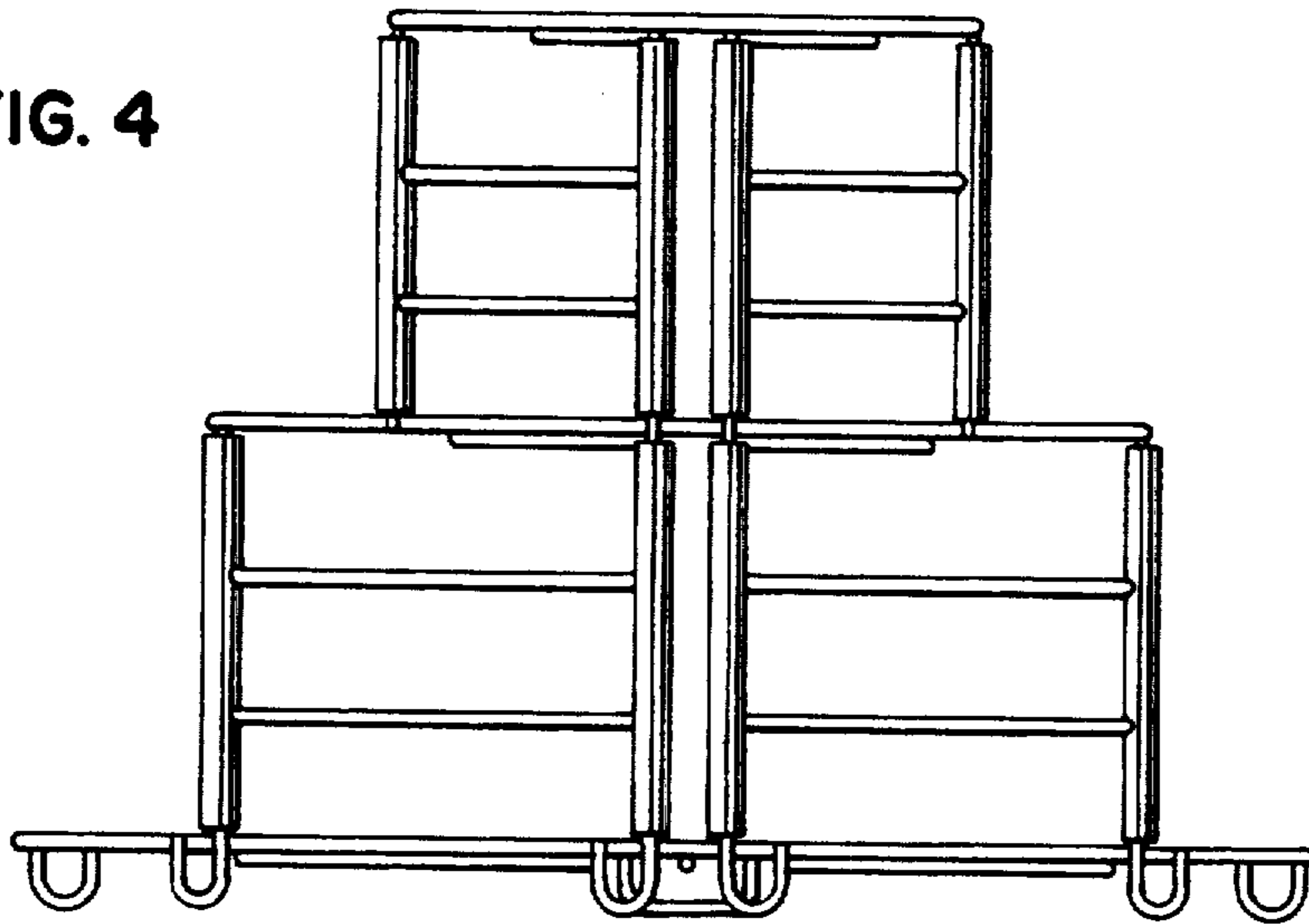


FIG. 5

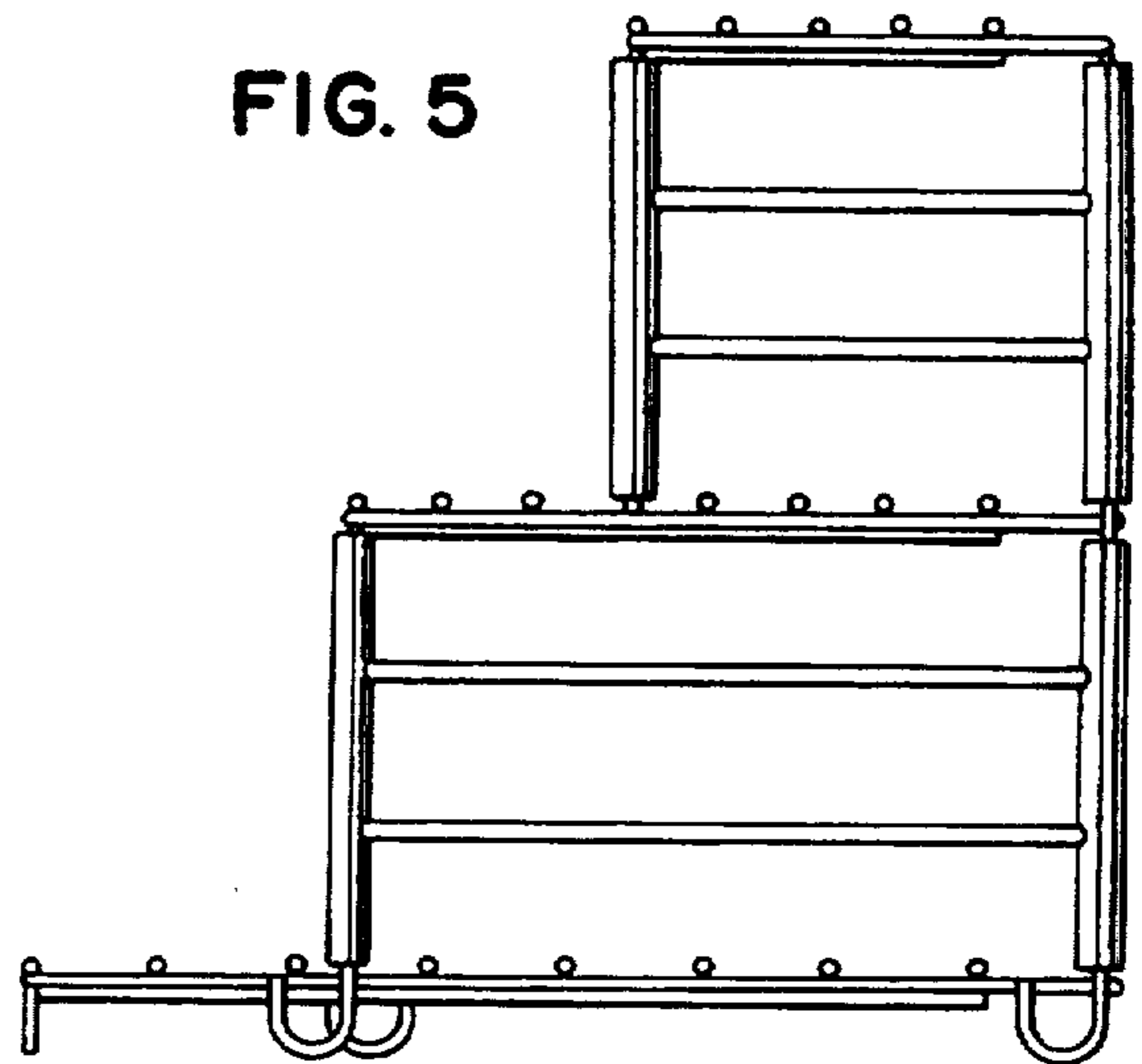


FIG. 6

