



US00D351295S

# United States Patent [19]

[11] Patent Number: **Des. 351,295**

**Noniewicz**

[45] Date of Patent: **\*\* Oct. 11, 1994**

[54] **WORK TABLE**

[75] Inventor: **Zbigniew Noniewicz, Kempenich, Fed. Rep. of Germany**

[73] Assignee: **Werkzeug-Gesellschaft mit beschränkter Haftung, Weibern, Fed. Rep. of Germany**

[\*\*] Term: **14 Years**

[21] Appl. No.: **833,904**

[22] Filed: **Feb. 11, 1992**

[52] U.S. Cl. .... **D6/400**

[58] Field of Search ..... **D6/400, 480, 484, 429-431; 108/25, 34, 35, 115, 28, 29, 30; 144/285, 286 R, 286 A**

D. 266,128	9/1982	Ferdinand et al. ....	D6/400
D. 279,736	7/1985	Zastera et al. ....	D6/400
D. 293,983	2/1988	Aldridge, Sr. ....	D6/400
D. 327,790	7/1992	Sharar ....	D6/422
D. 337,898	8/1993	Chen ....	D6/400

*Primary Examiner*—Alan P. Douglas  
*Assistant Examiner*—Jeffrey Asch  
*Attorney, Agent, or Firm*—Antonelli, Terry, Stout & Kraus

[57] **CLAIM**

The ornamental design for a work table, as shown and described.

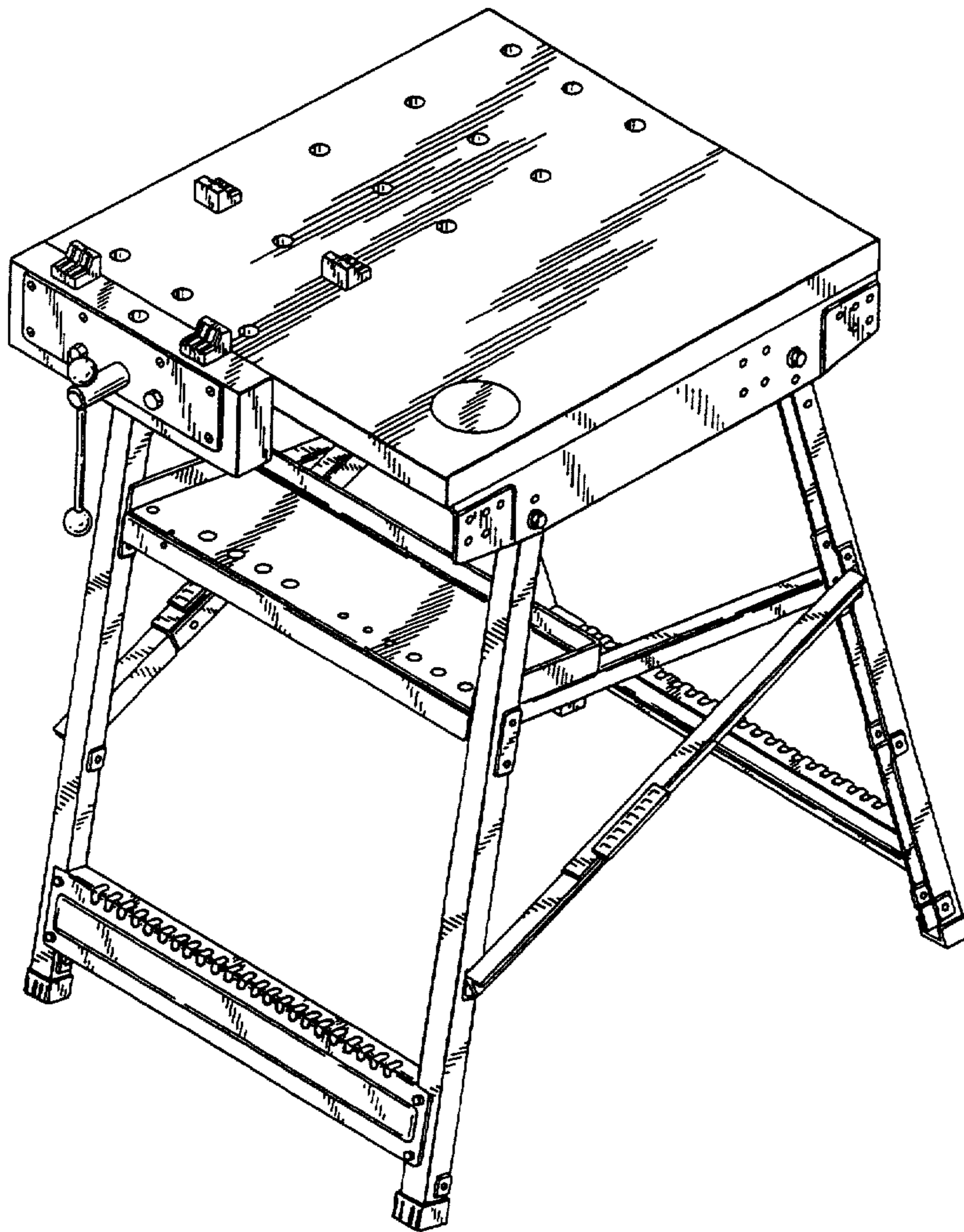
**DESCRIPTION**

FIG. 1 is a front elevational view of a work table showing my new design;  
FIG. 2 is a rear elevational view thereof;  
FIG. 3 is a bottom plan view thereof;  
FIG. 4 is a top plan view thereof;  
FIG. 5 is a left side elevational view thereof;  
FIG. 6 is a right side elevational view thereof; and,  
FIG. 7 is a perspective view thereof.

[56] **References Cited**

**U.S. PATENT DOCUMENTS**

D. 253,212	10/1979	Maruscak et al. ....	D6/400
D. 256,533	8/1980	Alessio ....	D6/400
D. 256,641	9/1980	Wilson et al. ....	D6/400



*FIG. 1*

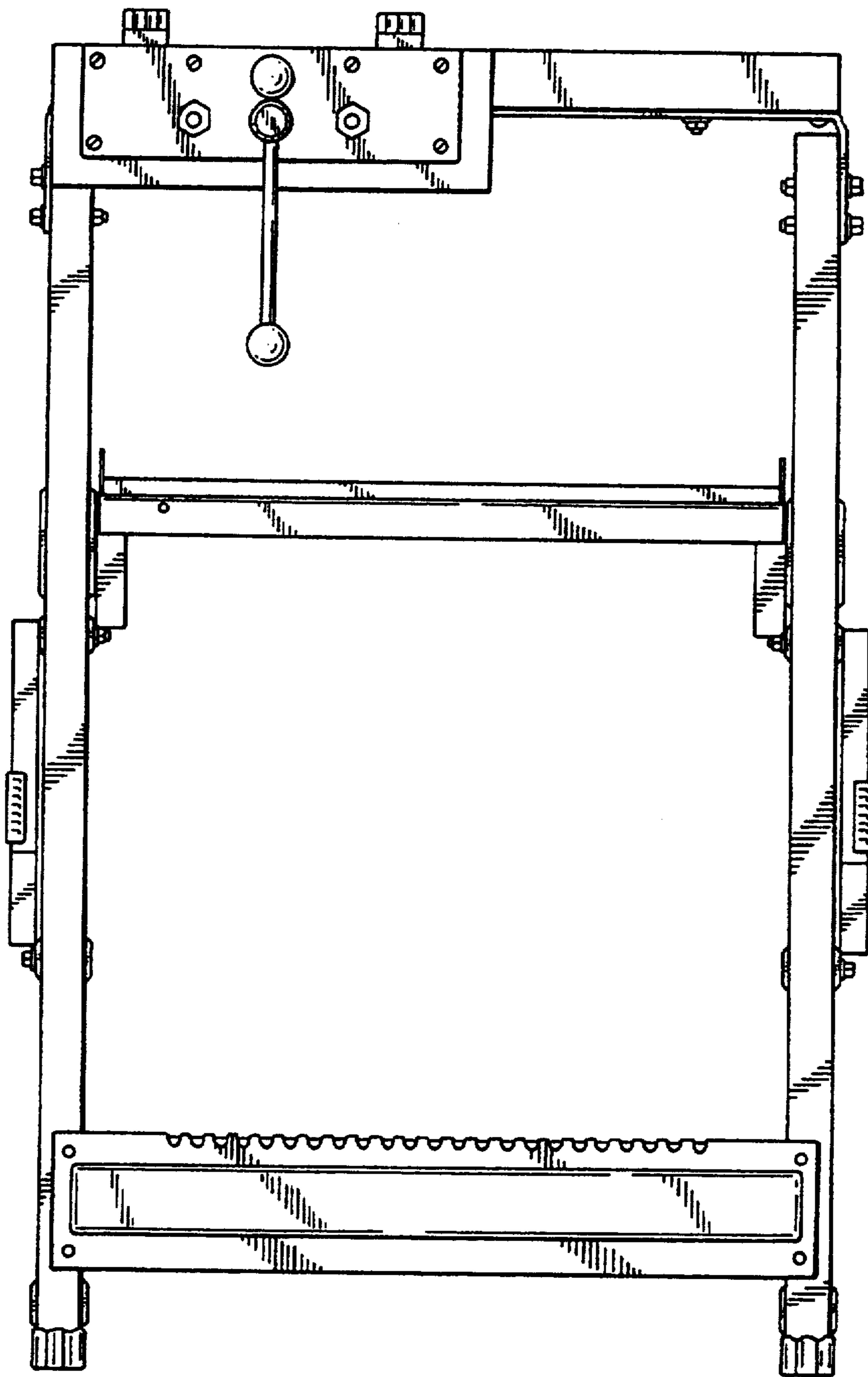
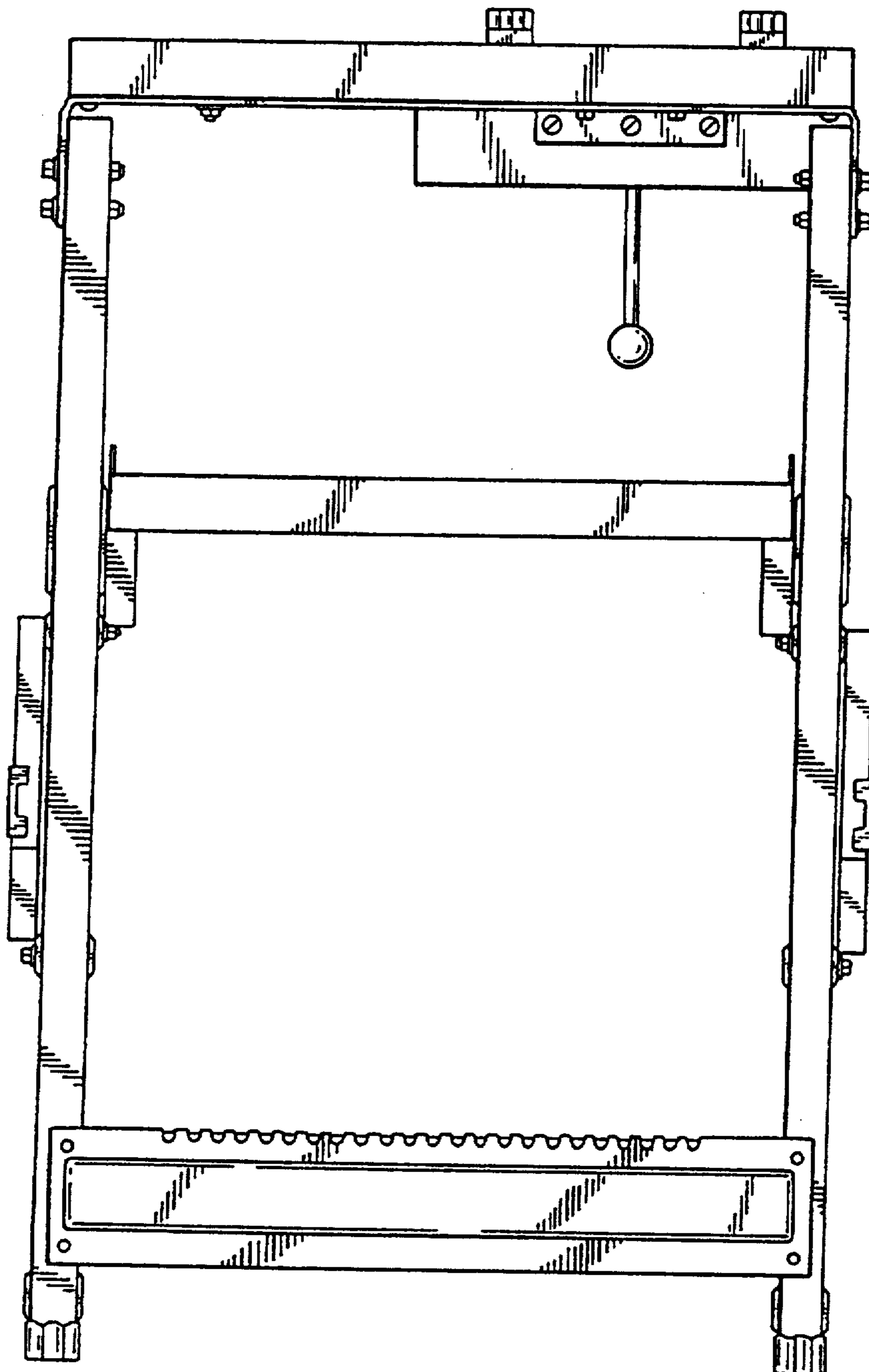
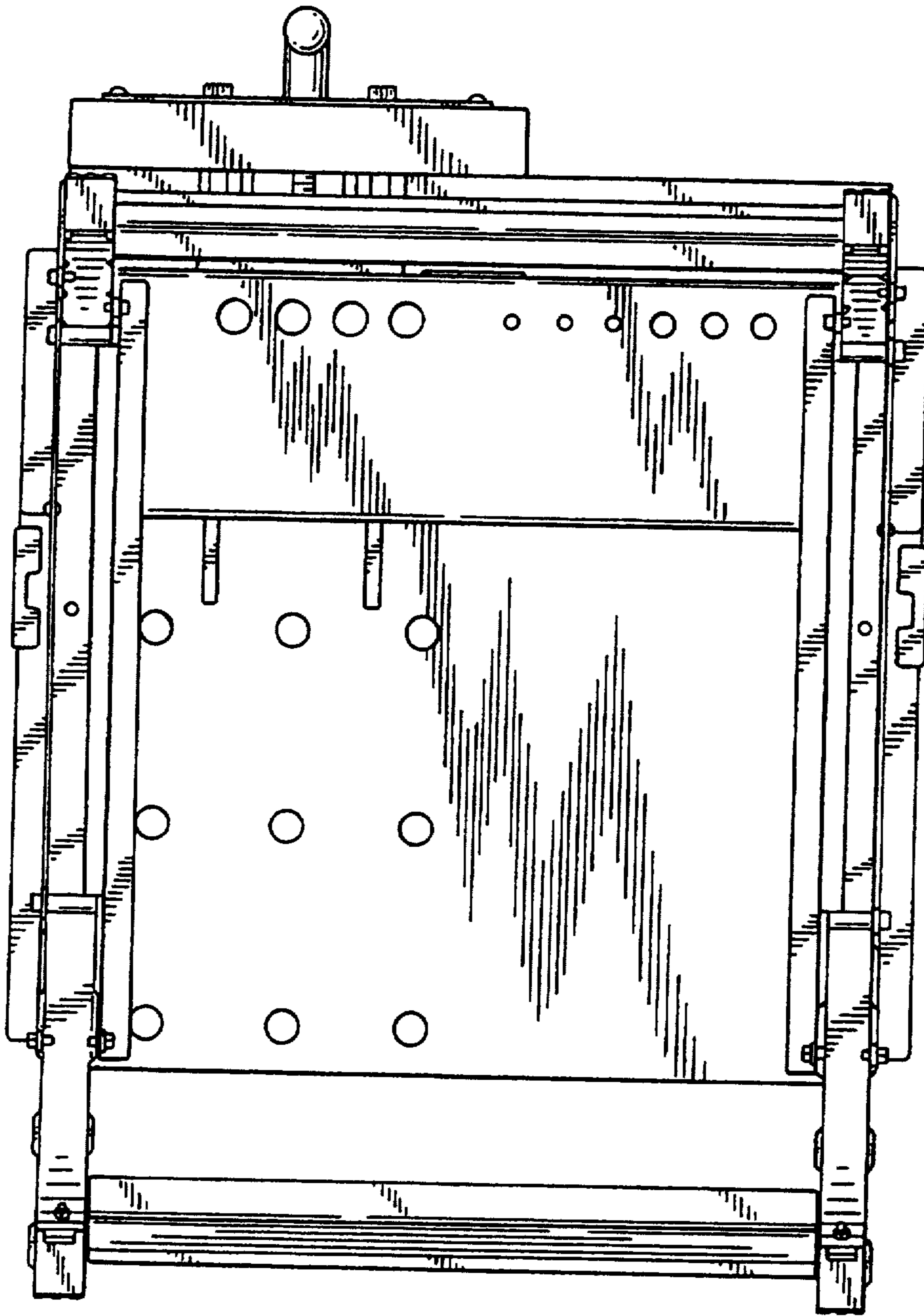


FIG. 2



*FIG. 3*



*FIG. 4*

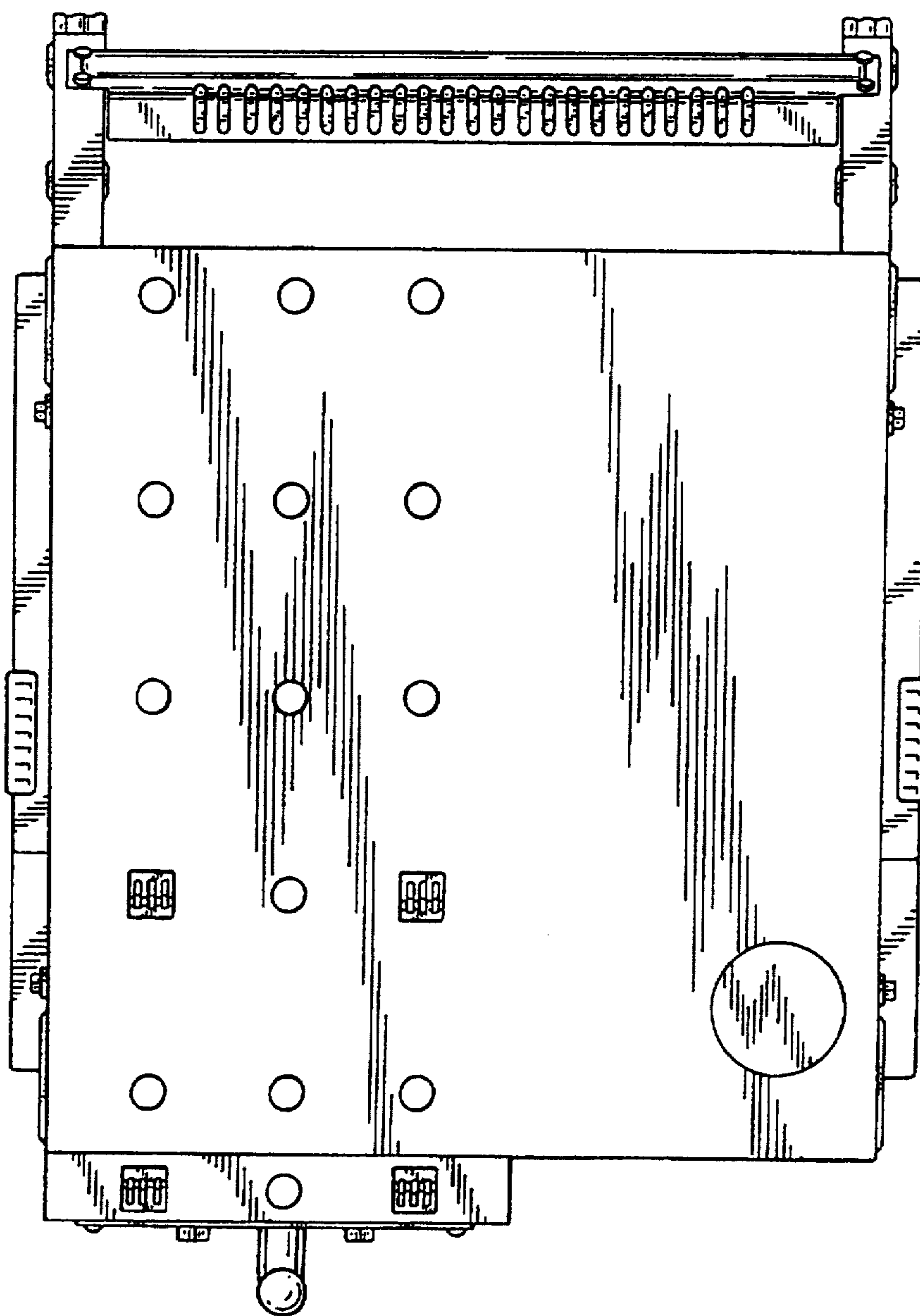
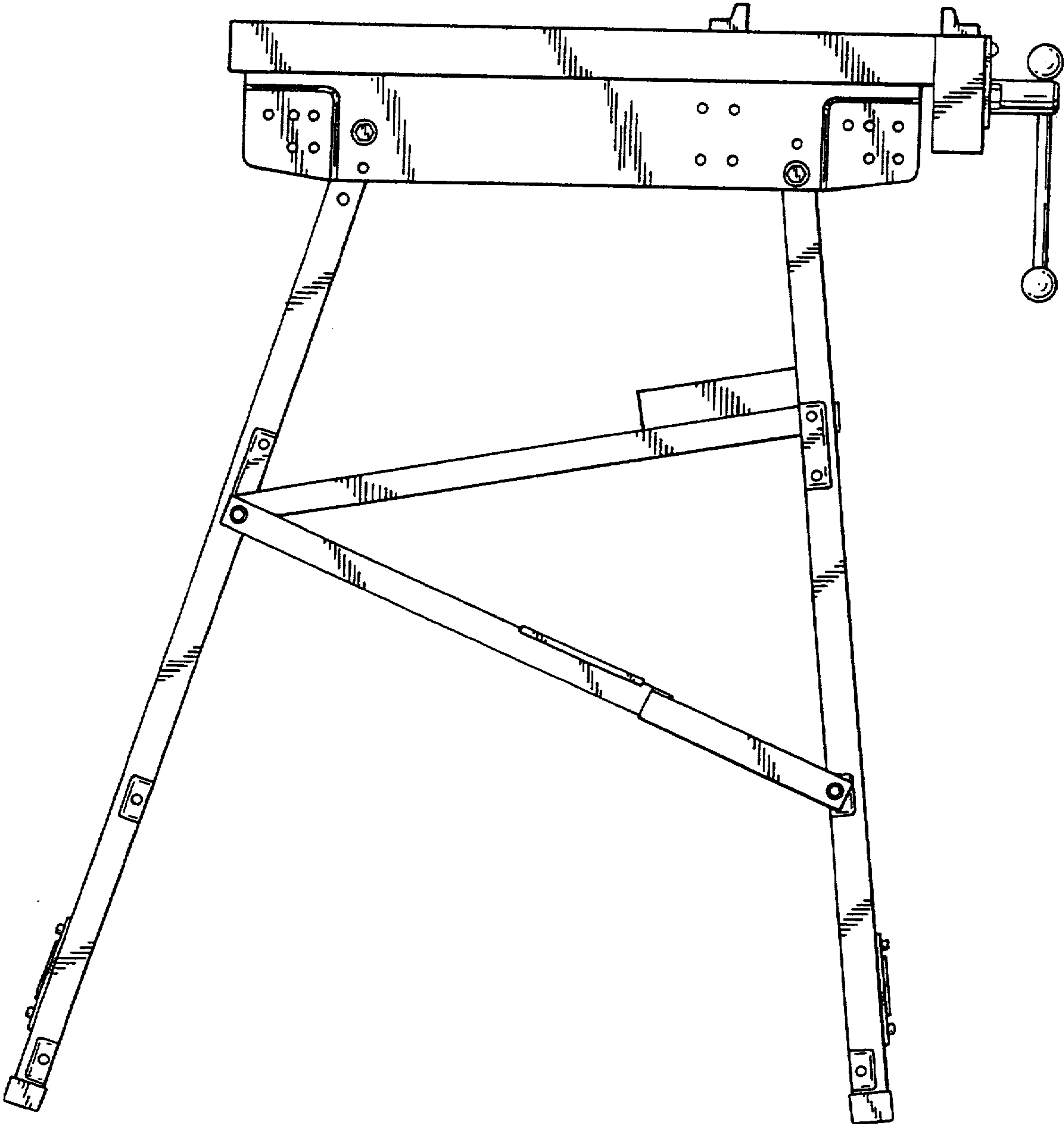
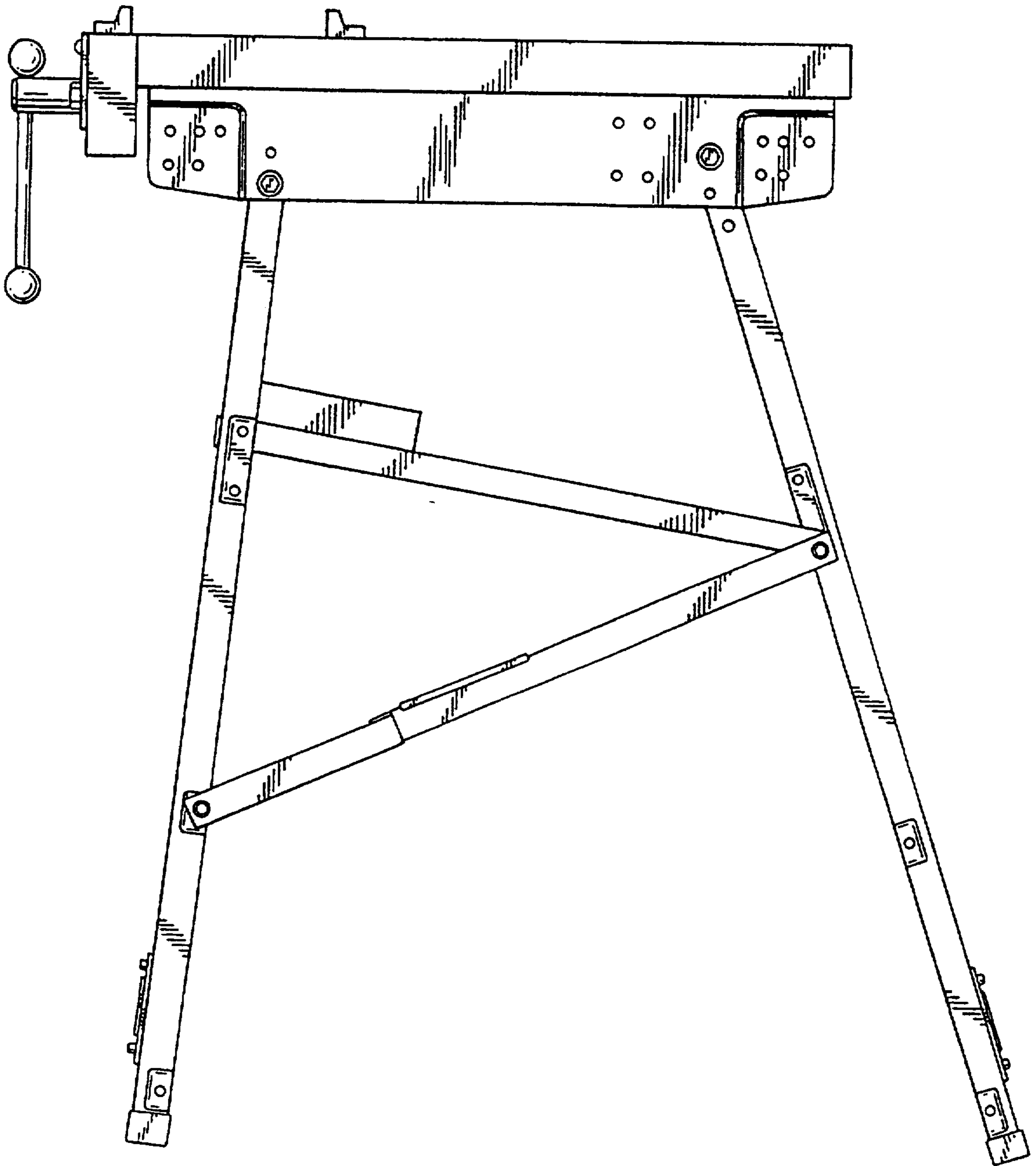


FIG. 5



*FIG. 6*



*FIG. 7*

