



US00D351291S

United States Patent [19]
Völkle

[11] **Patent Number: Des. 351,291**

[45] **Date of Patent: ** Oct. 11, 1994**

[54] **CHAIR**

[76] **Inventor: Rolf Völkle, Hohenholz 1, W-7298
Lossburg, Fed. Rep. of Germany**

[**] **Term: 14 Years**

[21] **Appl. No.: 6,741**

[22] **Filed: Apr. 5, 1993**

[30] **Foreign Application Priority Data**

Oct. 7, 1992 [DE] Fed. Rep. of Germany 9207373

[52] **U.S. Cl. D6/366**

[58] **Field of Search D6/334, 365, 366, 367,
D6/379, 380, 500, 501, 502; 297/411.40, 411.44**

[56] **References Cited**

U.S. PATENT DOCUMENTS

D. 270,497	9/1983	Ochsner	D6/366
D. 274,675	7/1984	Diffrient	D6/366
D. 285,629	9/1986	Franck et al.	D6/366
D. 295,925	5/1988	Oredat-Neuhoff	D6/366
D. 309,385	7/1990	Buhk	D6/366
D. 309,532	7/1990	Dozsa-Farkas	D6/366
D. 315,257	3/1991	Hensel et al.	D6/366

D. 319,739	9/1991	Narita	D6/366
D. 326,370	5/1992	Buchacz	D6/366
D. 328,395	8/1992	Neuser	D6/366
D. 335,398	5/1993	Heidmann	D6/366
D. 341,951	12/1993	Engel	D6/366

OTHER PUBLICATIONS

Interiors, May 1982, p. 143, Brueton chair shown. .
Fixtures Furniture, p. 38, chair #60259 & DW, DX at
top left.

Primary Examiner—Alan P. Douglas

Assistant Examiner—Gary D. Watson

Attorney, Agent, or Firm—Spencer, Frank & Schneider

[57] **CLAIM**

The ornamental design for a chair, as shown and de-
scribed.

DESCRIPTION

FIG. 1 is a perspective view of a preferred embodiment
of the chair showing my new design;
FIG. 2 is a side elevational view thereof;
FIG. 3 is a front elevational view thereof;
FIG. 4 is a rear elevational view thereof; and,
FIG. 5 is a top plan view thereof.

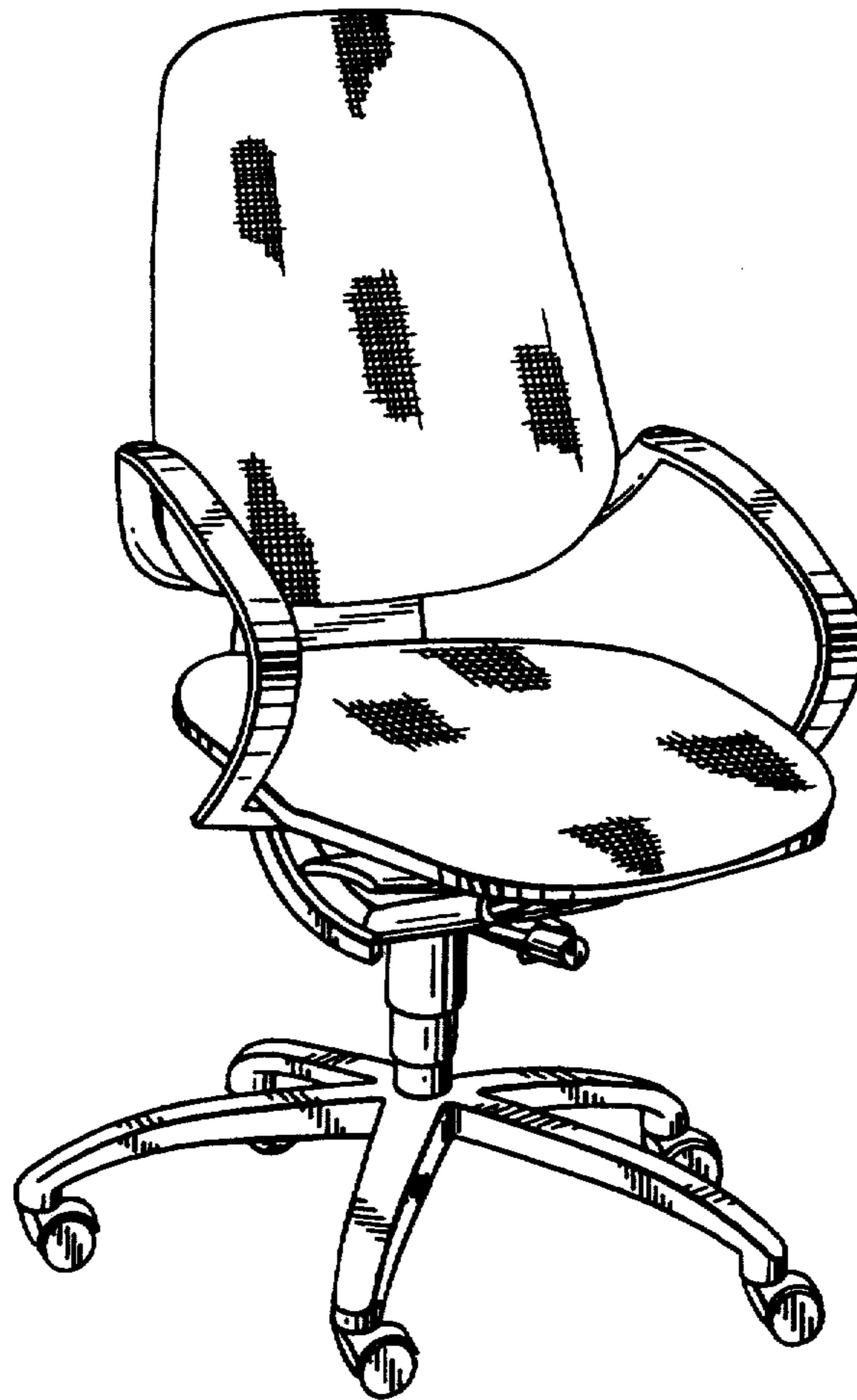


FIG. 1

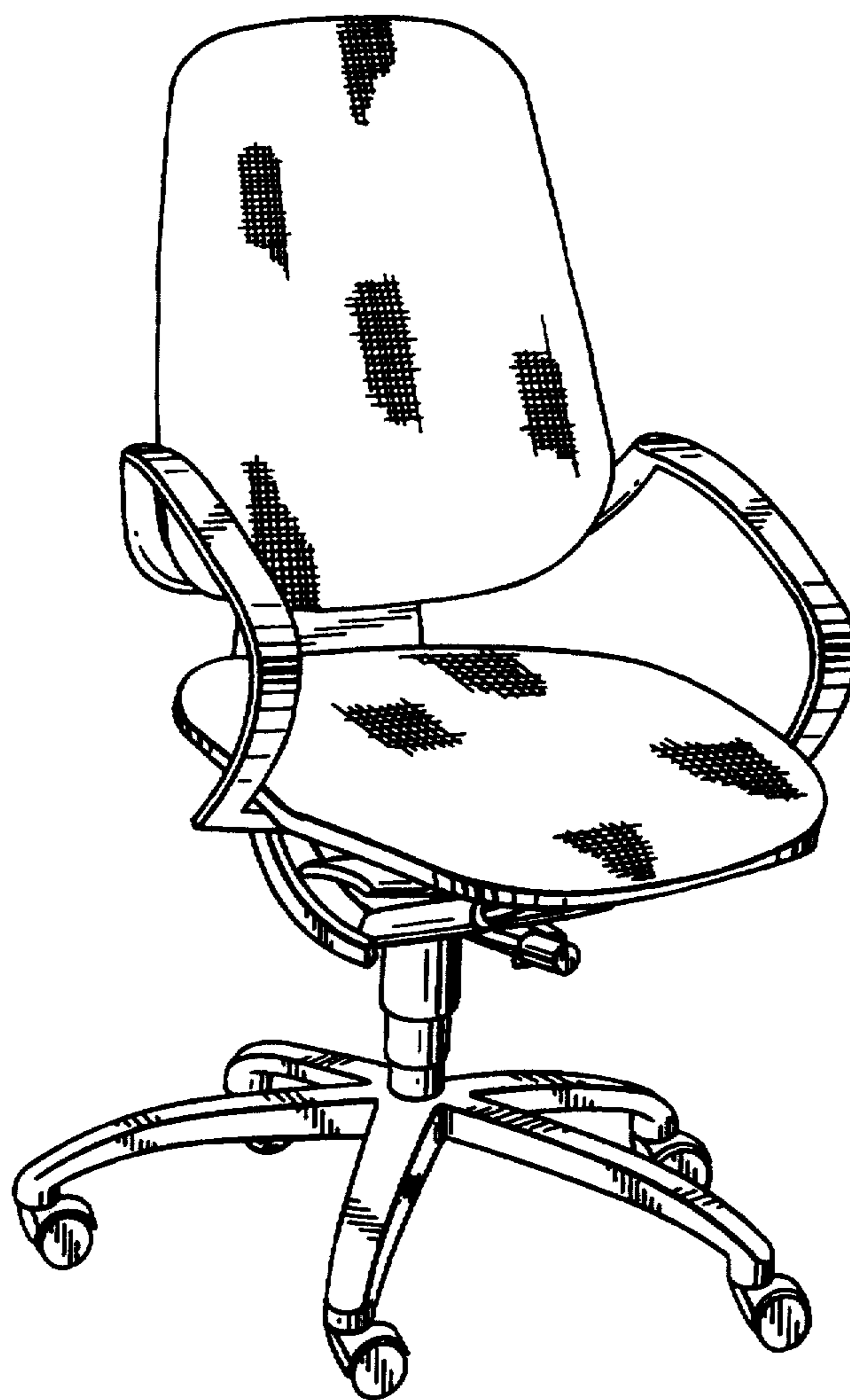


FIG. 2

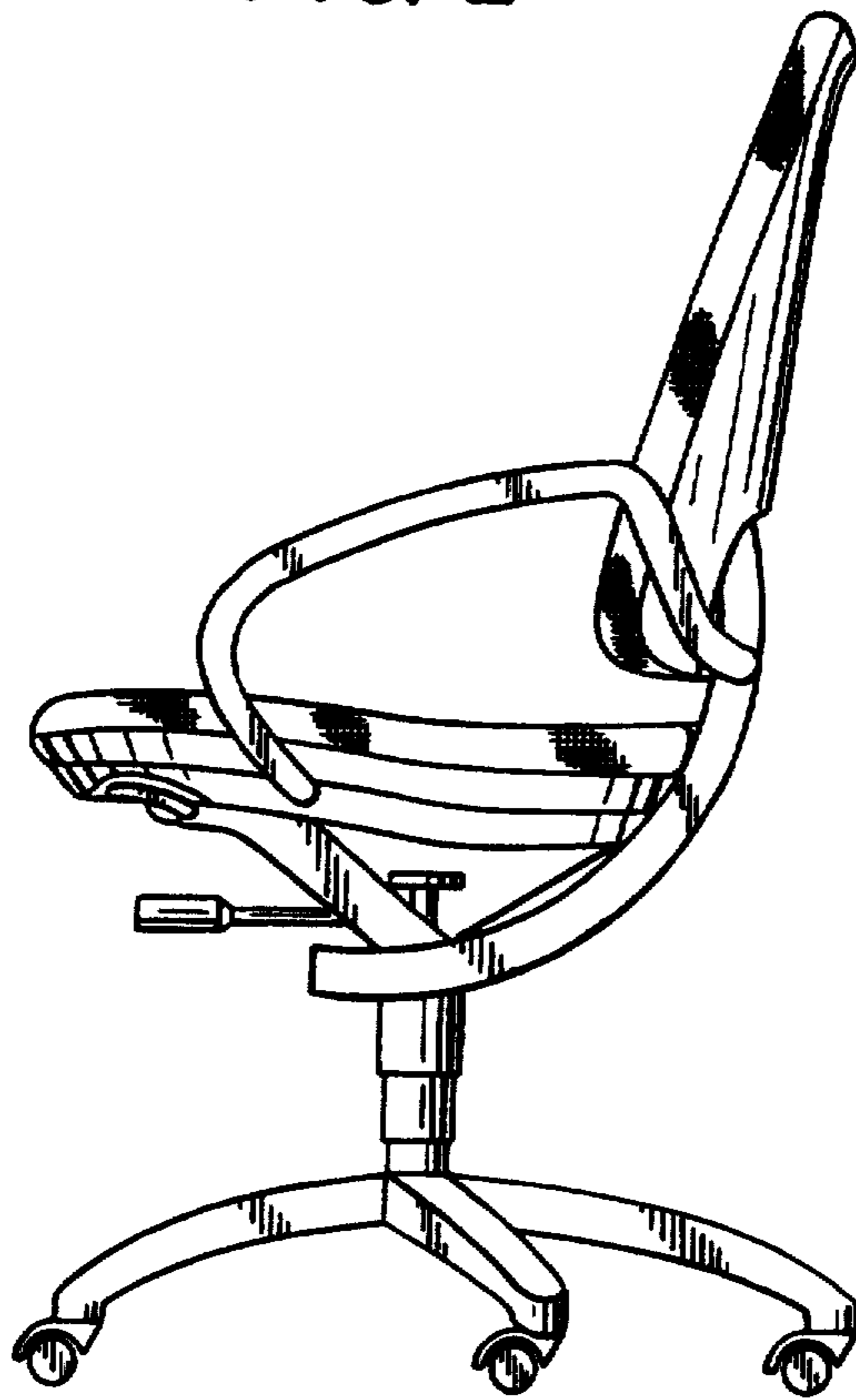


FIG. 3

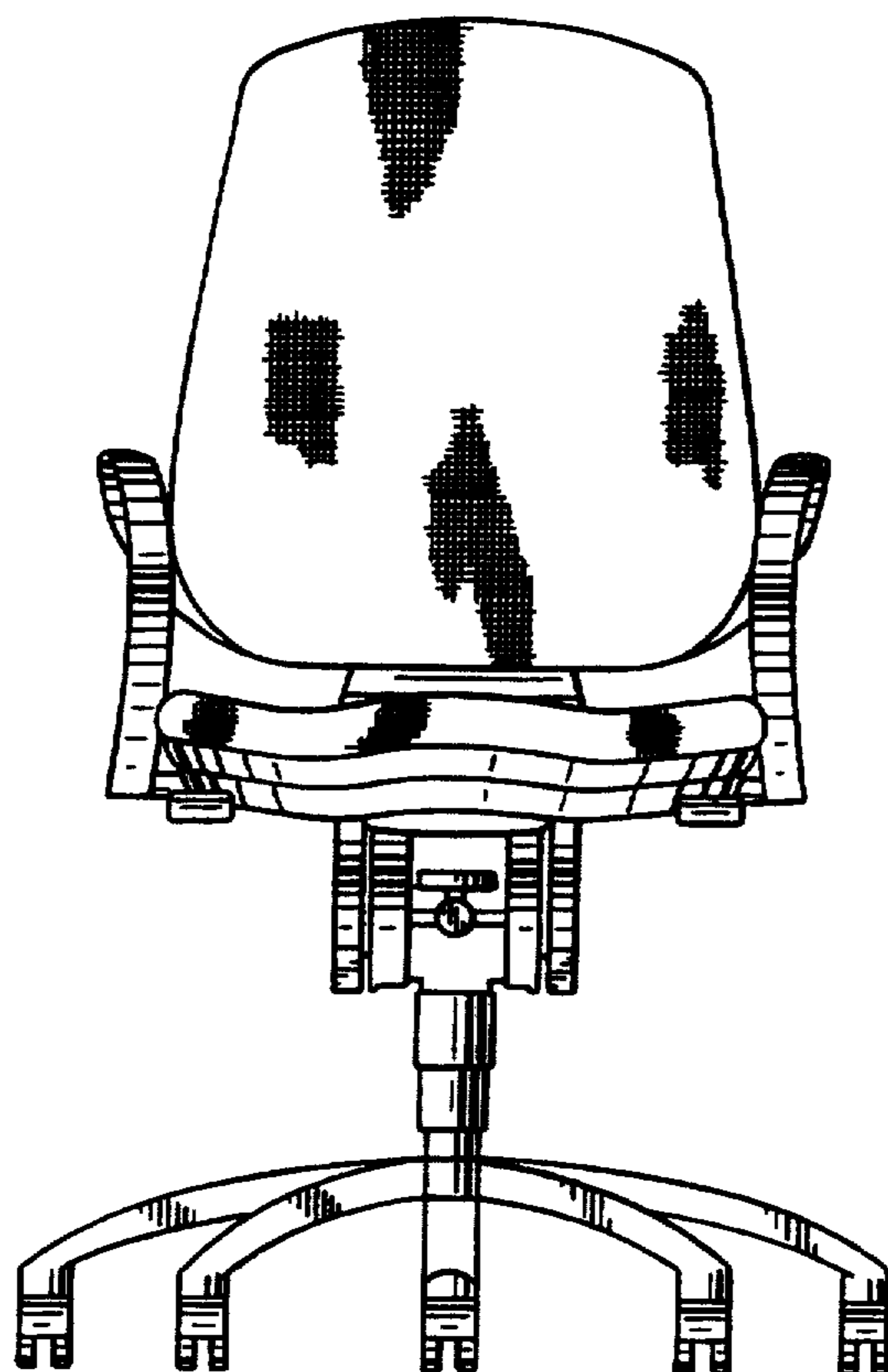


FIG. 4

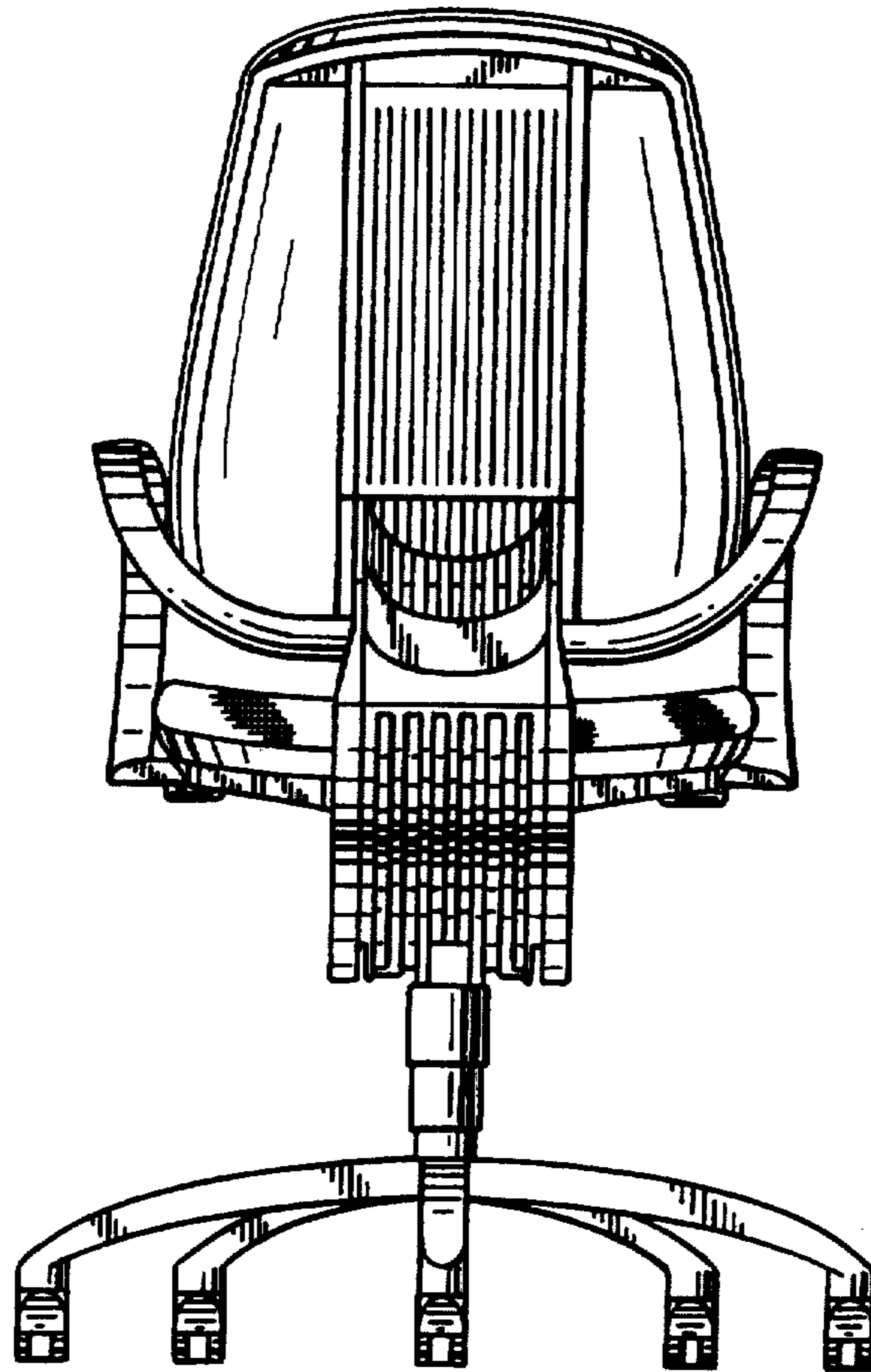


FIG. 5

