



US00D351289S

# United States Patent [19]

[11] Patent Number: **Des. 351,289**

Stephens et al.

[45] Date of Patent: **\*\* Oct. 11, 1994**

- [54] **INFANT SWING**
- [75] Inventors: **William B. Stephens, Boulder;**  
**Marjorie G. Harper, Littleton, both**  
**of Colo.**
- [73] Assignee: **Gerry Baby Products Company,**  
**Denver, Colo.**
- [\*\*] Term: **14 Years**
- [21] Appl. No.: **940,794**
- [22] Filed: **Sep. 8, 1992**
- [52] U.S. Cl. .... **D6/344; D6/339;**  
**D6/347**
- [58] Field of Search ..... **D6/339, 333, 356, 344,**  
**D6/247, 370; 297/3, 153, 250.1, 273, 281**

4,211,401	7/1980	Cunard .....	272/86
4,240,625	12/1980	Meeker .....	272/86
4,323,233	4/1982	Gebhard .....	272/86
4,325,578	4/1982	Borucki .....	297/281
4,616,824	10/1986	Quinlan, Jr. et al. ....	272/86
4,688,850	8/1987	Brownlie et al. ....	297/270
4,697,845	10/1987	Kamman .	
4,744,599	5/1988	Jankowski et al. ....	297/250
4,805,902	2/1989	Casagrande .....	272/86
4,807,872	2/1989	Spilman et al. ....	272/86
4,822,033	4/1989	Kohus et al. .	
4,911,499	3/1990	Meeker .....	297/260
5,238,292	8/1993	Golenz et al. .	

*Primary Examiner*—Nelson C. Holtje  
*Assistant Examiner*—Monica A. Hannon  
*Attorney, Agent, or Firm*—Biebel & French

## [56] References Cited

## [57] CLAIM

### U.S. PATENT DOCUMENTS

The ornamental design for an infant swing, as shown.

D. 305,584	1/1990	Spilman et al. ....	D6/344
727,741	5/1903	Brott .	
2,398,384	4/1946	Meyers .	
2,646,838	7/1953	Welsh .....	155/11
3,125,767	3/1964	Griggs et al. ....	5/109
3,414,325	12/1968	Jutilla .....	297/281
3,648,307	3/1972	Meade .....	5/108
3,653,080	4/1972	Hafele .....	5/108
4,036,523	7/1977	Nielsen .	
4,150,820	4/1979	Bochmann .....	272/86

### DESCRIPTION

FIG. 1 is a perspective view of the infant swing of the present invention;  
 FIG. 2 is a left side elevational view thereof;  
 FIG. 3 is a right side elevational view thereof;  
 FIG. 4 is a front elevational view thereof;  
 FIG. 5 is a top plan view thereof;  
 FIG. 6 is a bottom plan view thereof; and,  
 FIG. 7 is a rear elevational view thereof.

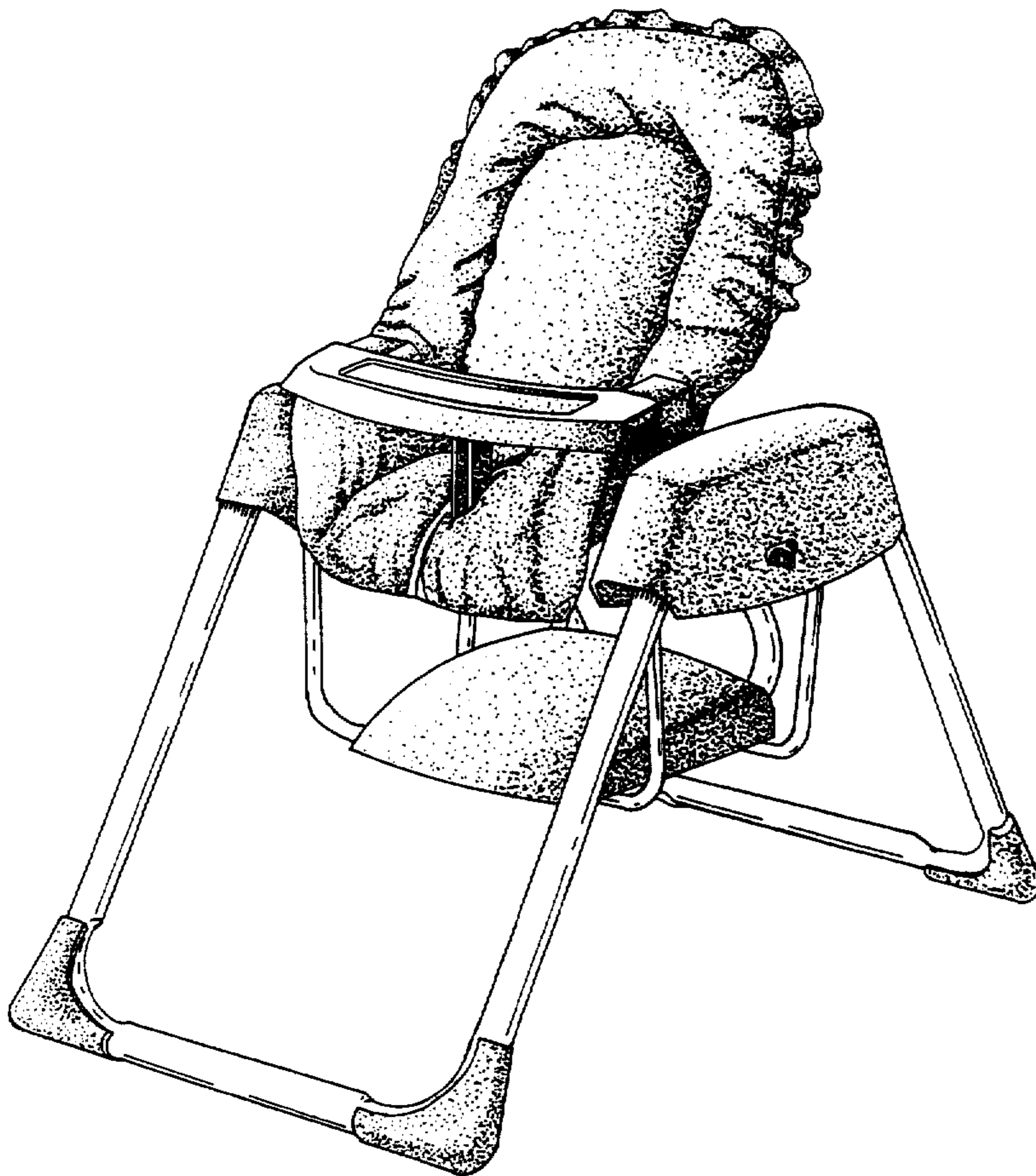
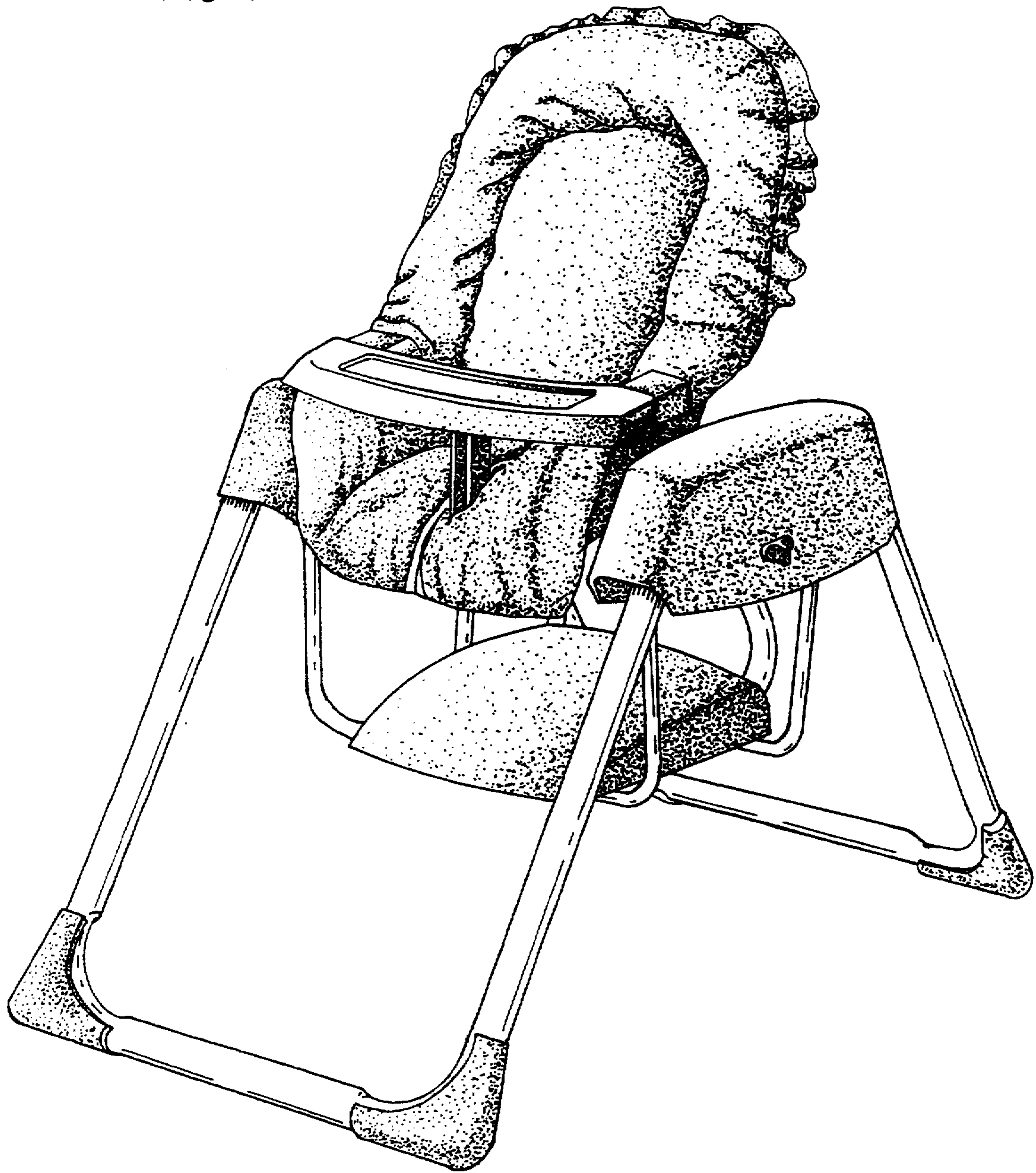


FIG - 1



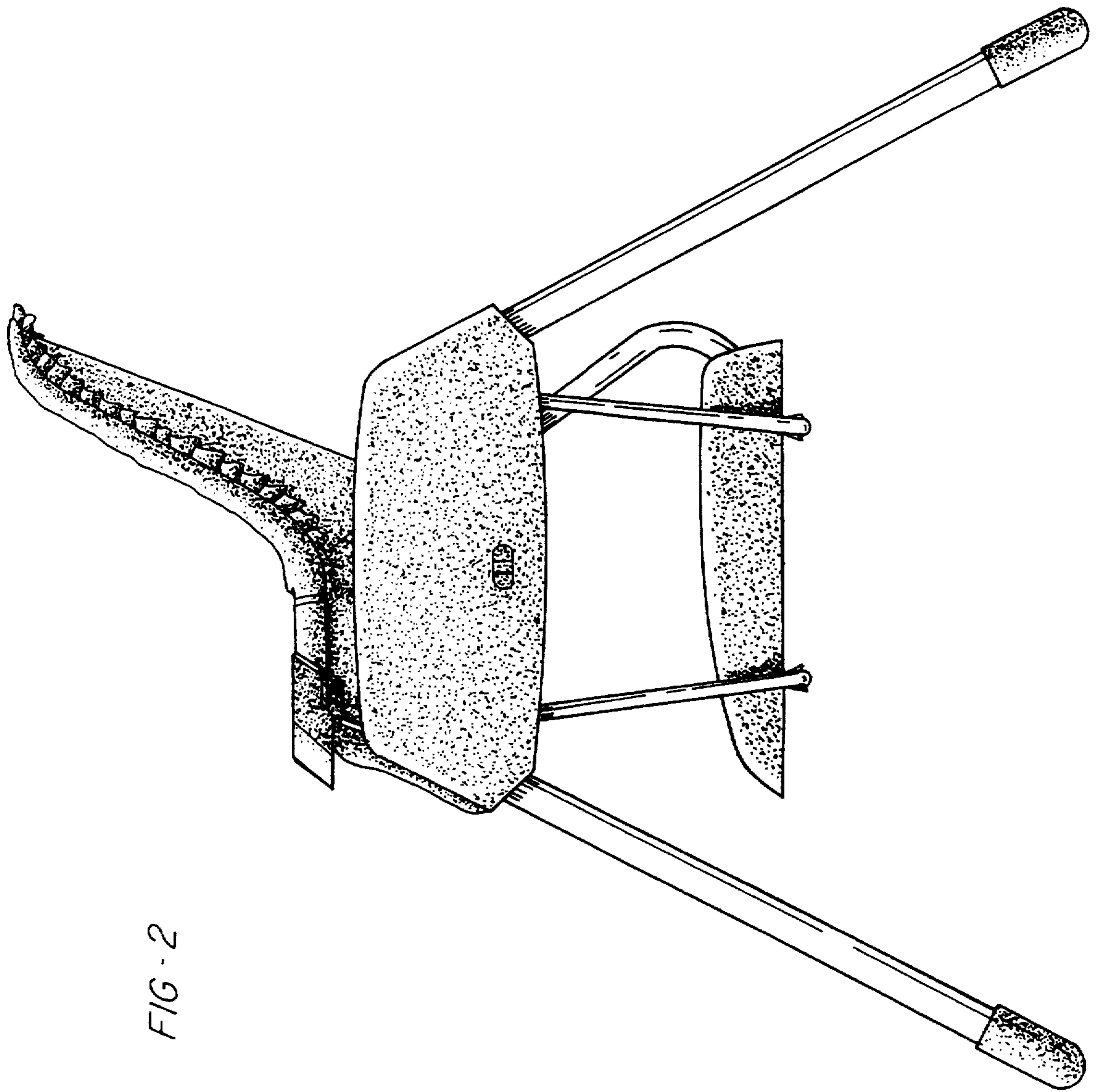


FIG - 2

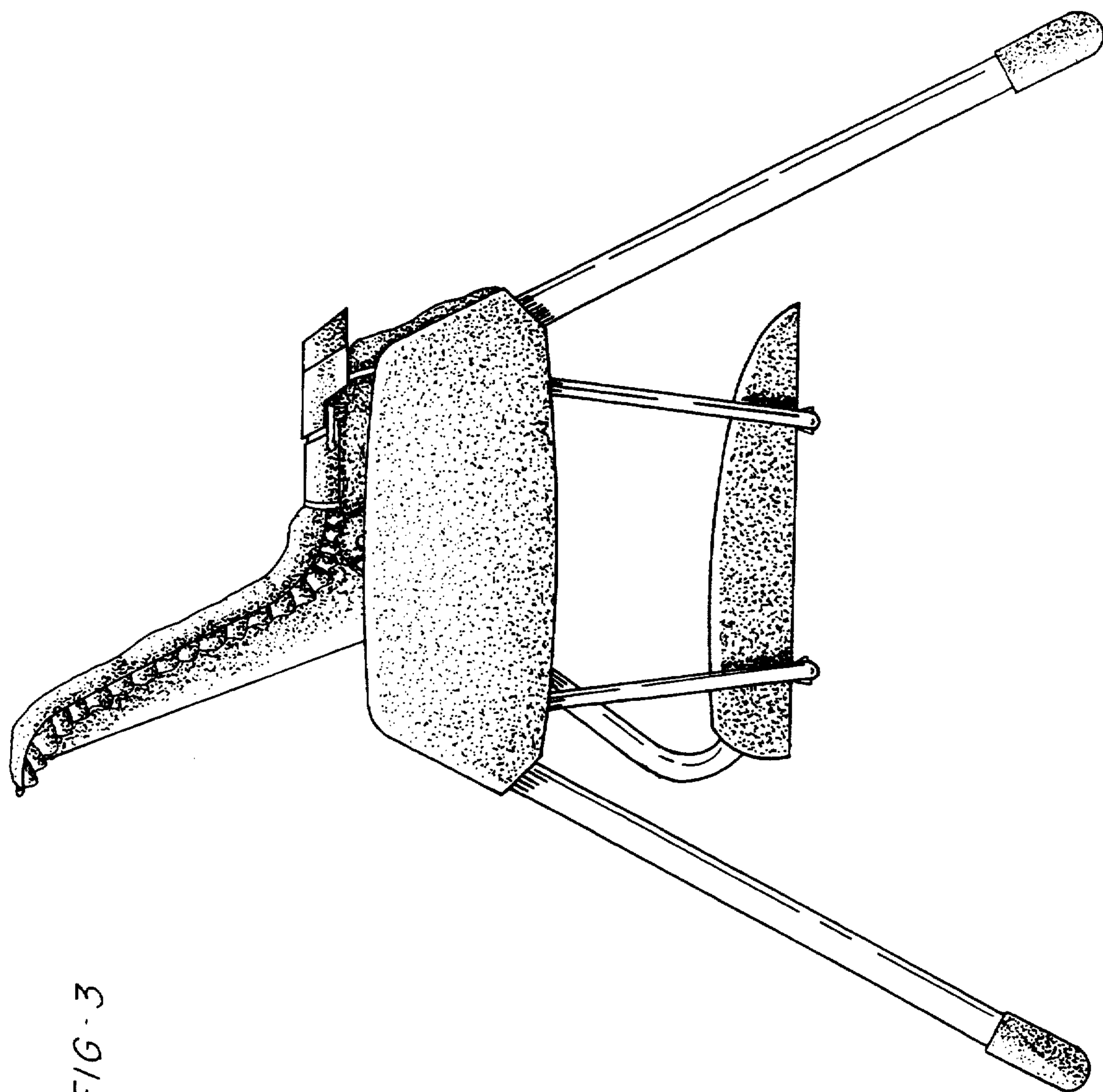


FIG. 3

FIG-4

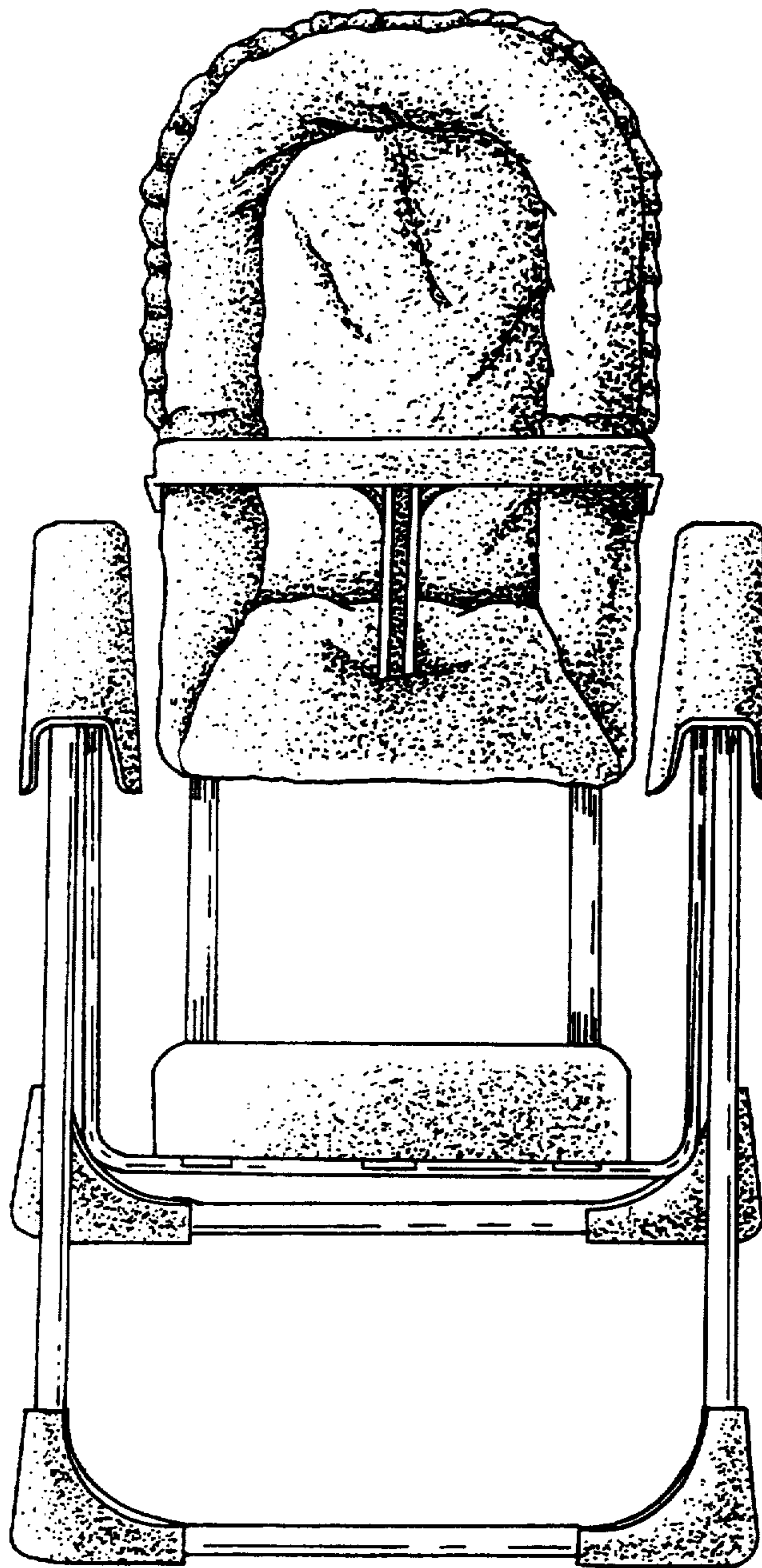


FIG-5

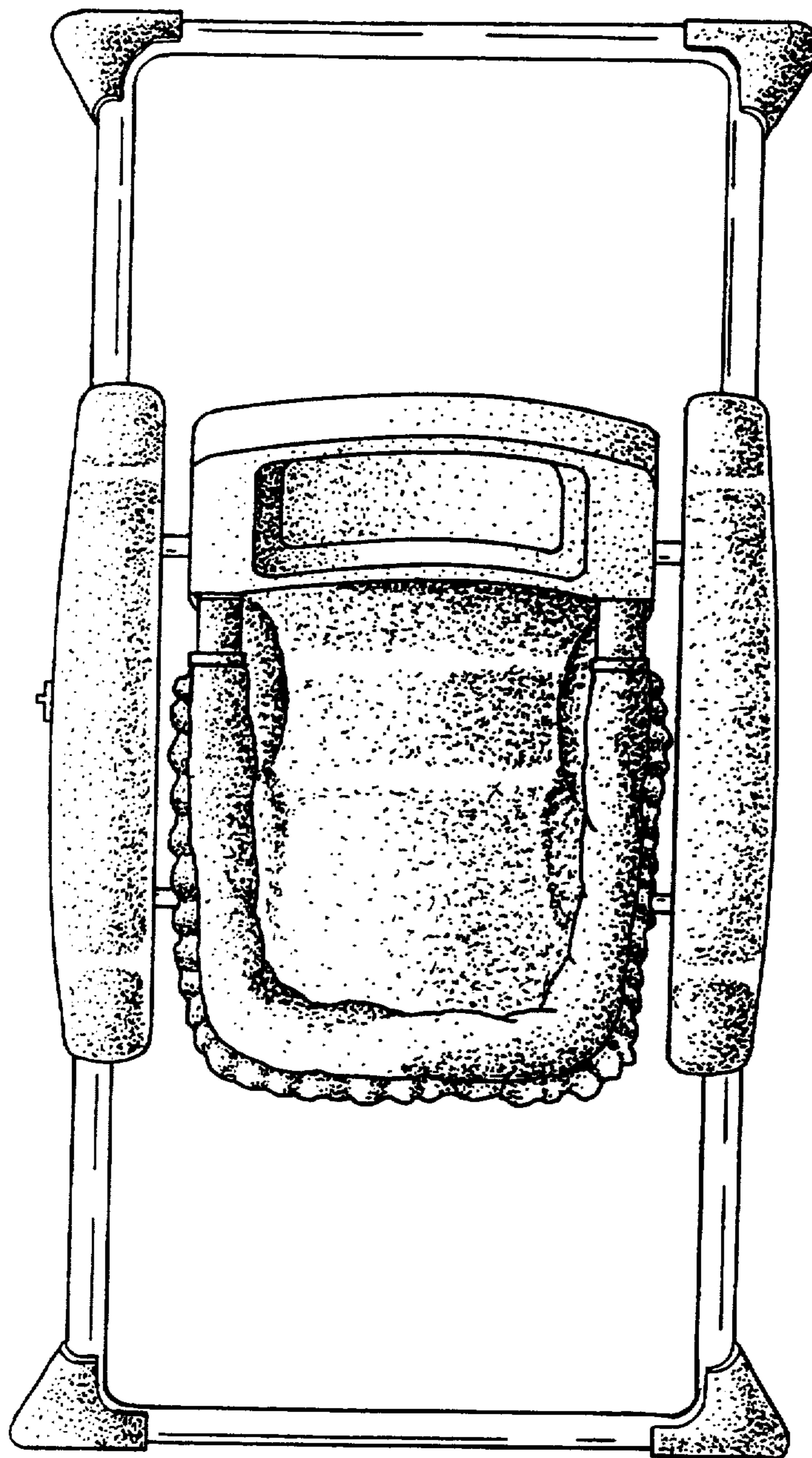


FIG - 6

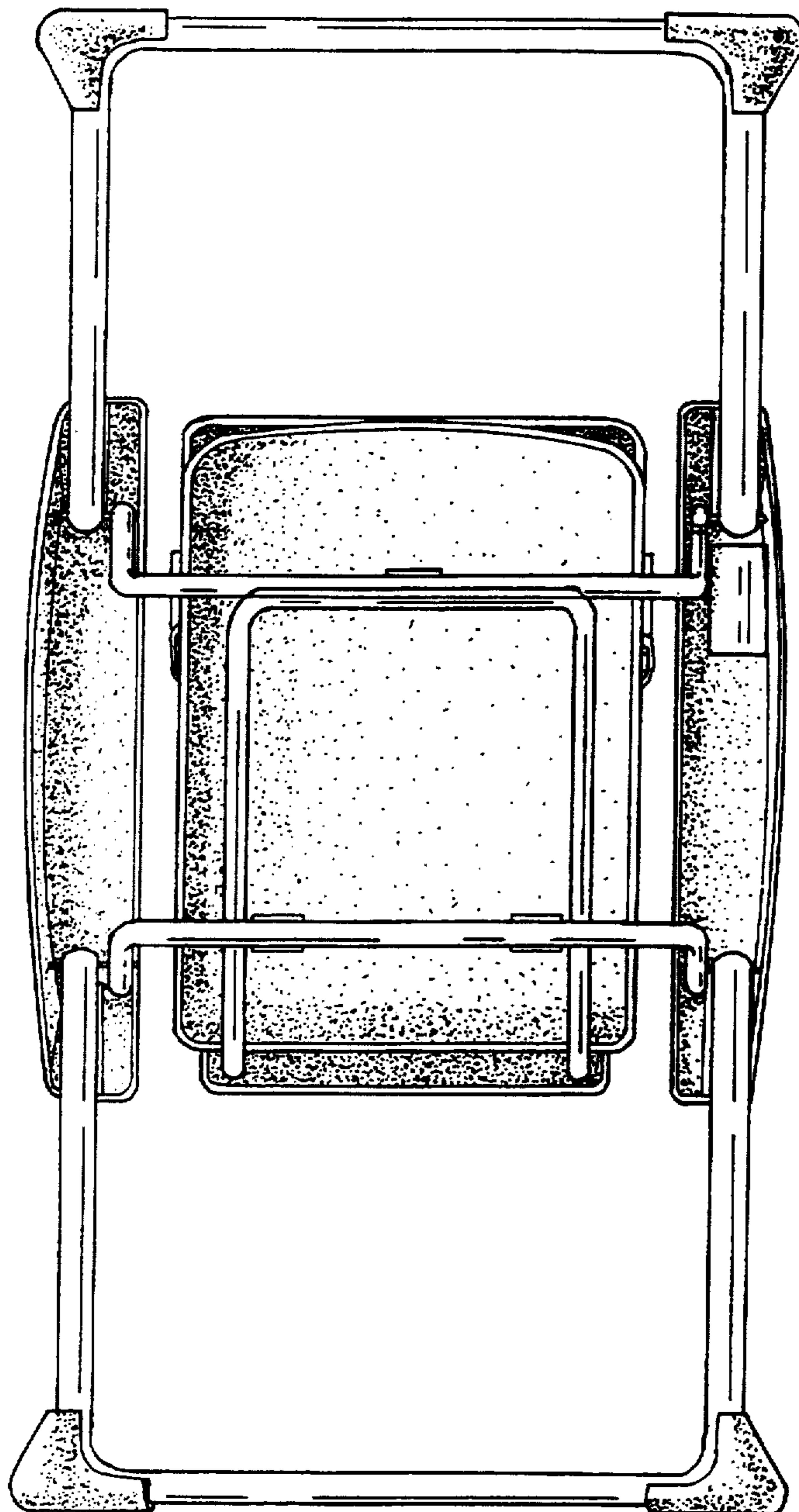


FIG. 7

