



US00D351284S

United States Patent [19] Kruger

[11] Patent Number: **Des. 351,284**

[45] Date of Patent: **** Oct. 11, 1994**

[54] TOTE BIN

[75] Inventor: **Cory J. Kruger, Gardner, Mass.**

[73] Assignee: **Sterilite Corporation, Townsend, Mass.**

[**] Term: **14 Years**

[21] Appl. No.: **11,555**

[22] Filed: **Aug. 6, 1993**

[52] U.S. Cl. **D3/314; D3/304**

[58] Field of Search **D3/304-314; D9/341, 424; 206/503-507, 509, 514, 515, 517, 518; 220/890, DIG. 12**

Sterilite Home Storage and Utility Catalog No. 1656, pre-1993.
Sterilite Tote Bin No. 1682 Catalog Sheet pre-1993.
Sterilite Tote Bins No. 1683 Catalog Sheet pre-1993.
Sterilite Tote Bins No. 1686, 1684 Catalog Sheet pre-1993.
Sterilite Store N'-Save Catalog Sheet, No. 1650 pre-1993.
Sterilite 3pc. Soft Seal Food Keeps No. 337 Catalog Sheet pre-1993.
Sterilite Storage Drawers No. 1633 Catalog Sheet pre-1993.
Sterilite Storage Boxes Catalog Sheet pre-1993.
Tucker Ram-Tuff Totel Containers Catalog Aug. 1989.
Sterilite Recycling Solutions Catalog pre-1993.
Sterilite Storage Boxes Catalog Sheet pre-1993.
Tucker Ram-Tuff Tote Containers Catalog Aug. 1989.

Primary Examiner—Bernard Ansher
Assistant Examiner—Richelle Shelton
Attorney, Agent, or Firm—Donald Brown

[56] **References Cited**

U.S. PATENT DOCUMENTS

D. 251,480	4/1979	Cherry	D3/314
D. 280,216	8/1985	Boklund	.	
D. 297,875	9/1988	Carville	.	
D. 302,774	8/1989	Murphy	.	
D. 319,016	8/1991	Kahl	D9/424
D. 326,345	5/1992	Mandell et al.	D3/312
2,634,020	4/1953	Bartholomew	206/518 X
3,734,341	5/1973	Levenhagen	.	

FOREIGN PATENT DOCUMENTS

6606963	5/1966	Netherlands	206/518
---------	--------	-------------	-------	---------

OTHER PUBLICATIONS

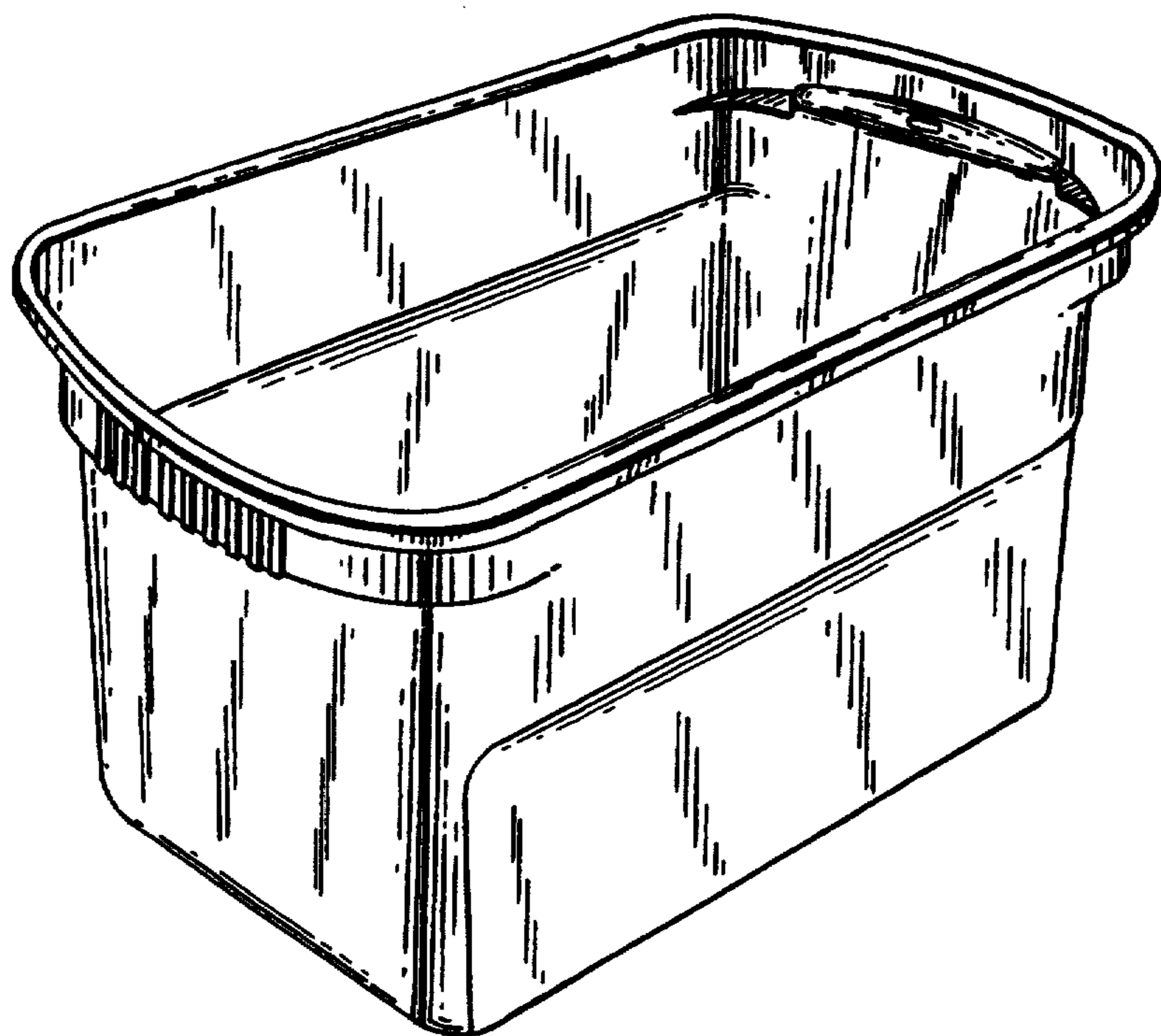
Sterilite Home Storage and Utility Catalog No. 1652, pre-1993.
Sterilite Home Storage and Utility Catalog No. 1654, pre-1993.

[57] **CLAIM**

The ornamental design for a tote bin, as shown and described.

DESCRIPTION

FIG. 1 is a perspective view of a tote bin showing my new design;
FIG. 2 is a top plan view thereof;
FIG. 3 is a side elevation view thereof, both sides being identical;
FIG. 4 is an end elevation view thereof, both ends being identical; and,
FIG. 5 is a bottom plan view thereof.



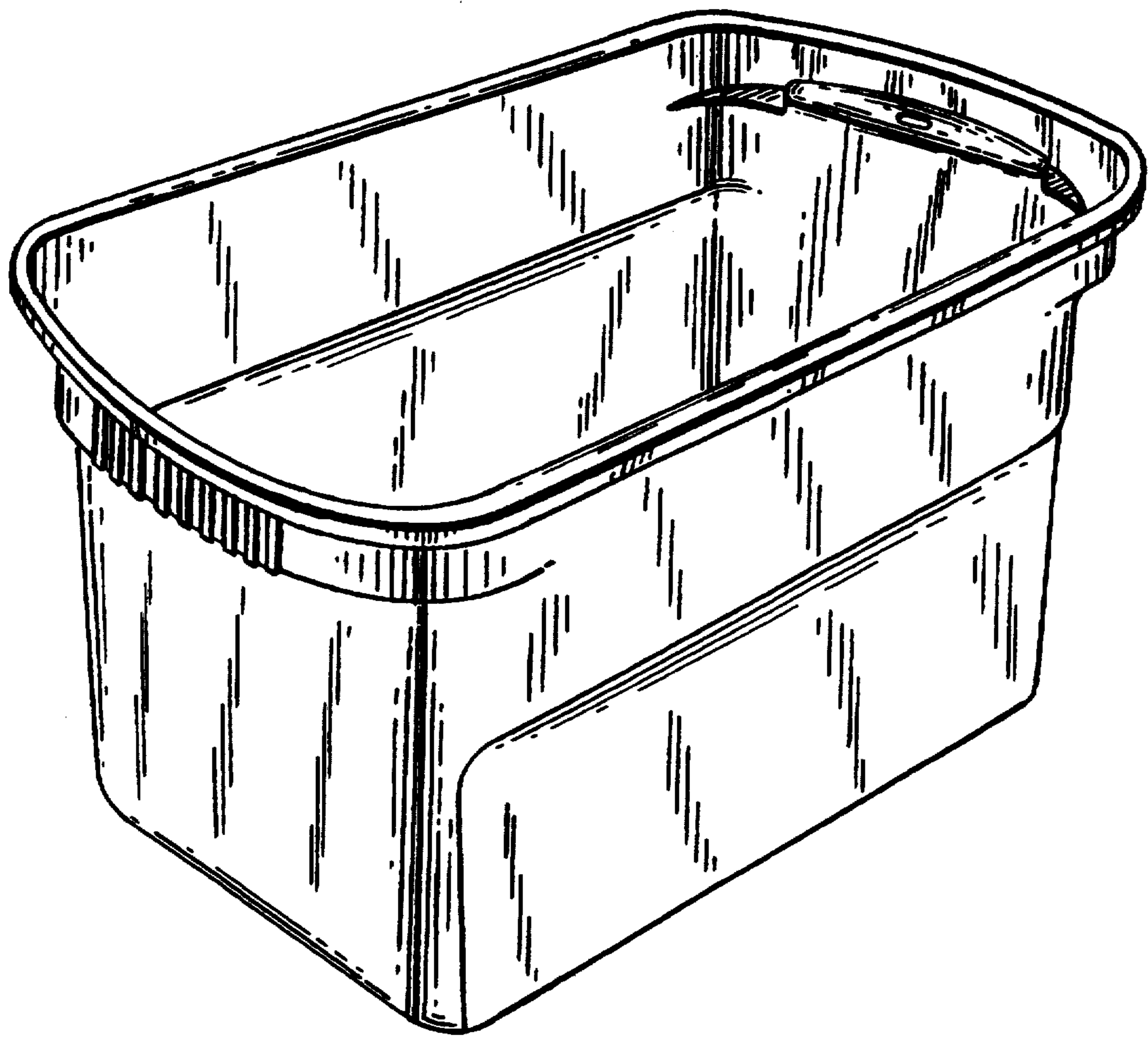


FIG. 1

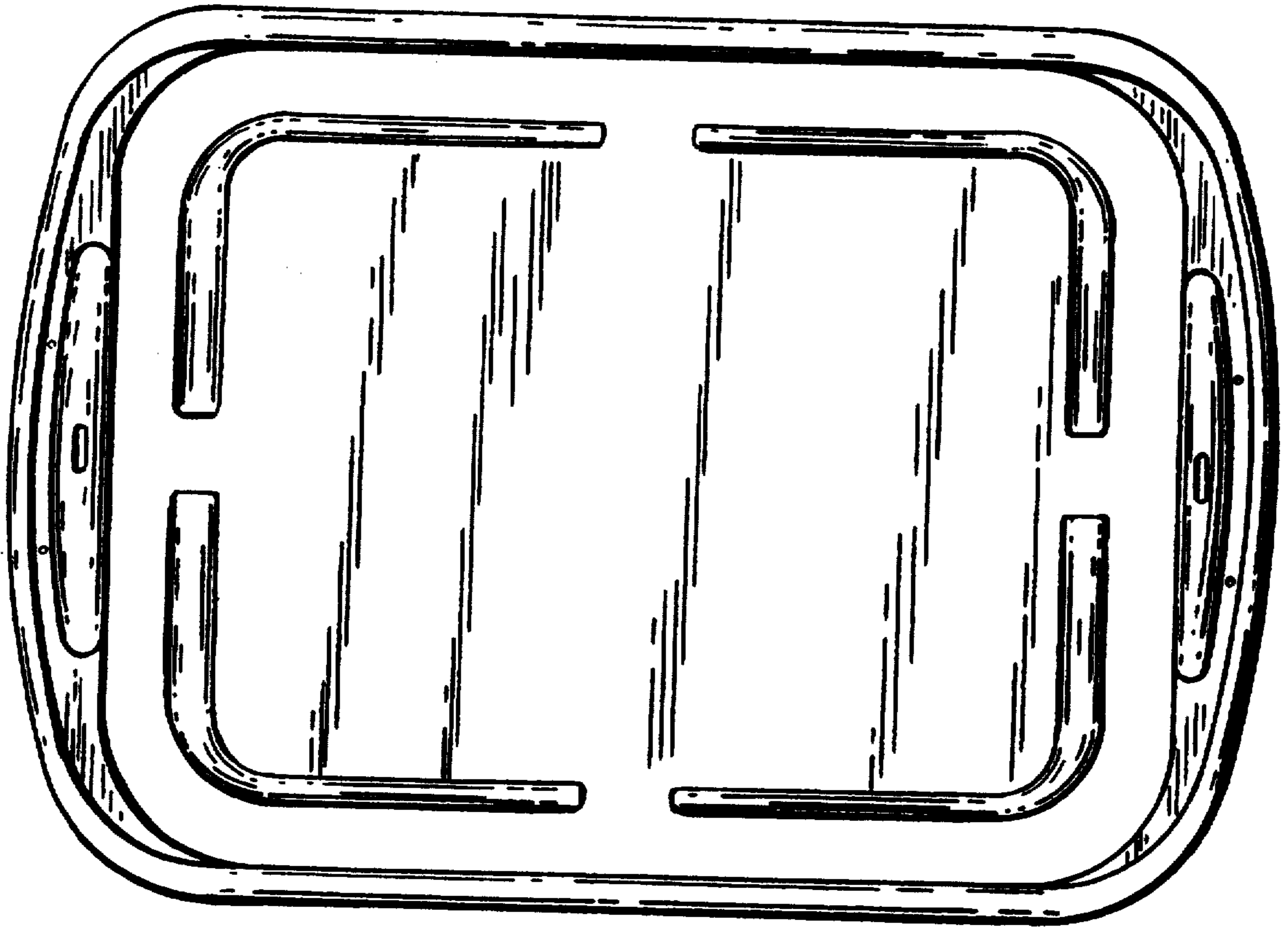


FIG. 2

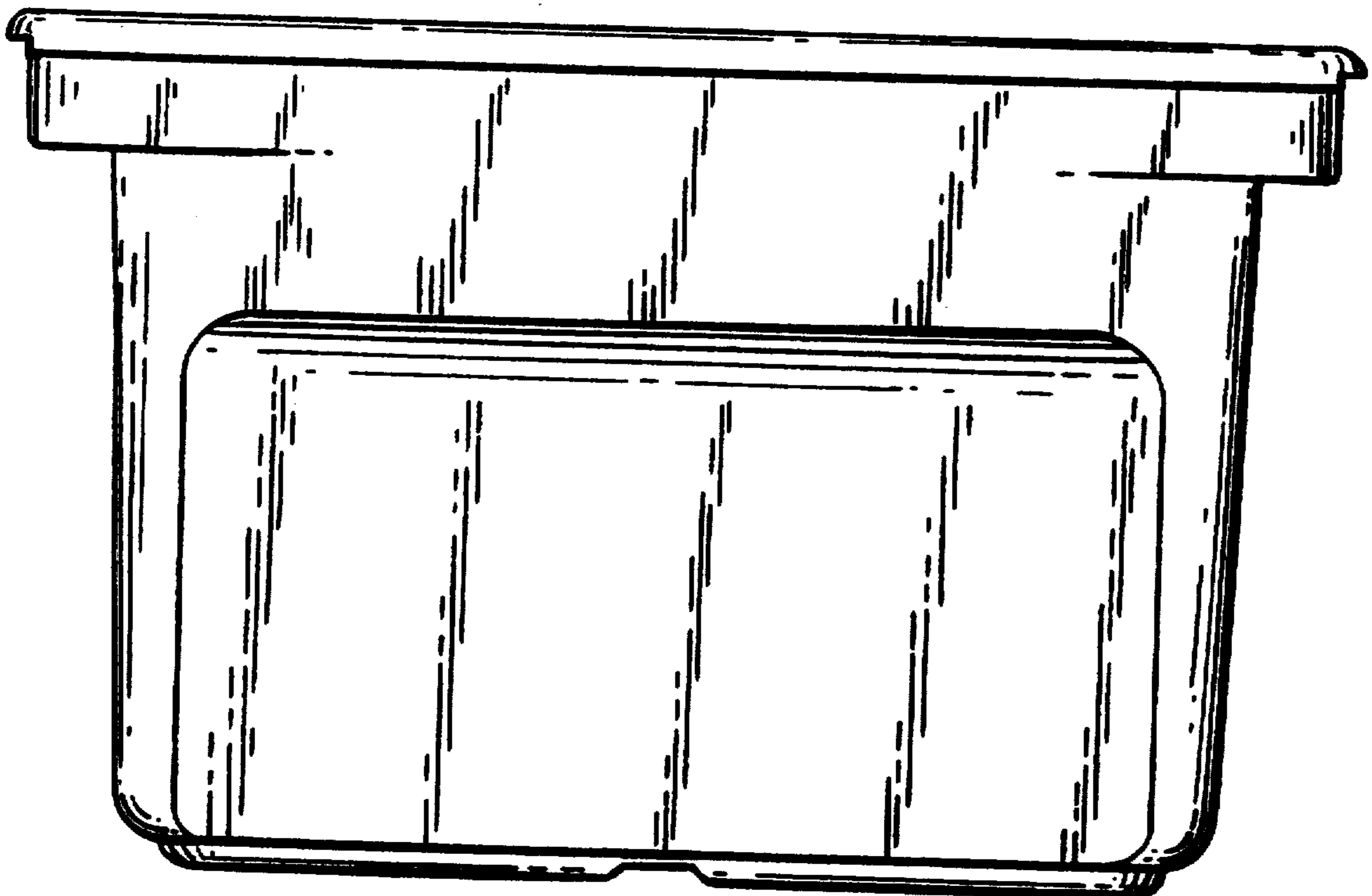


FIG. 3

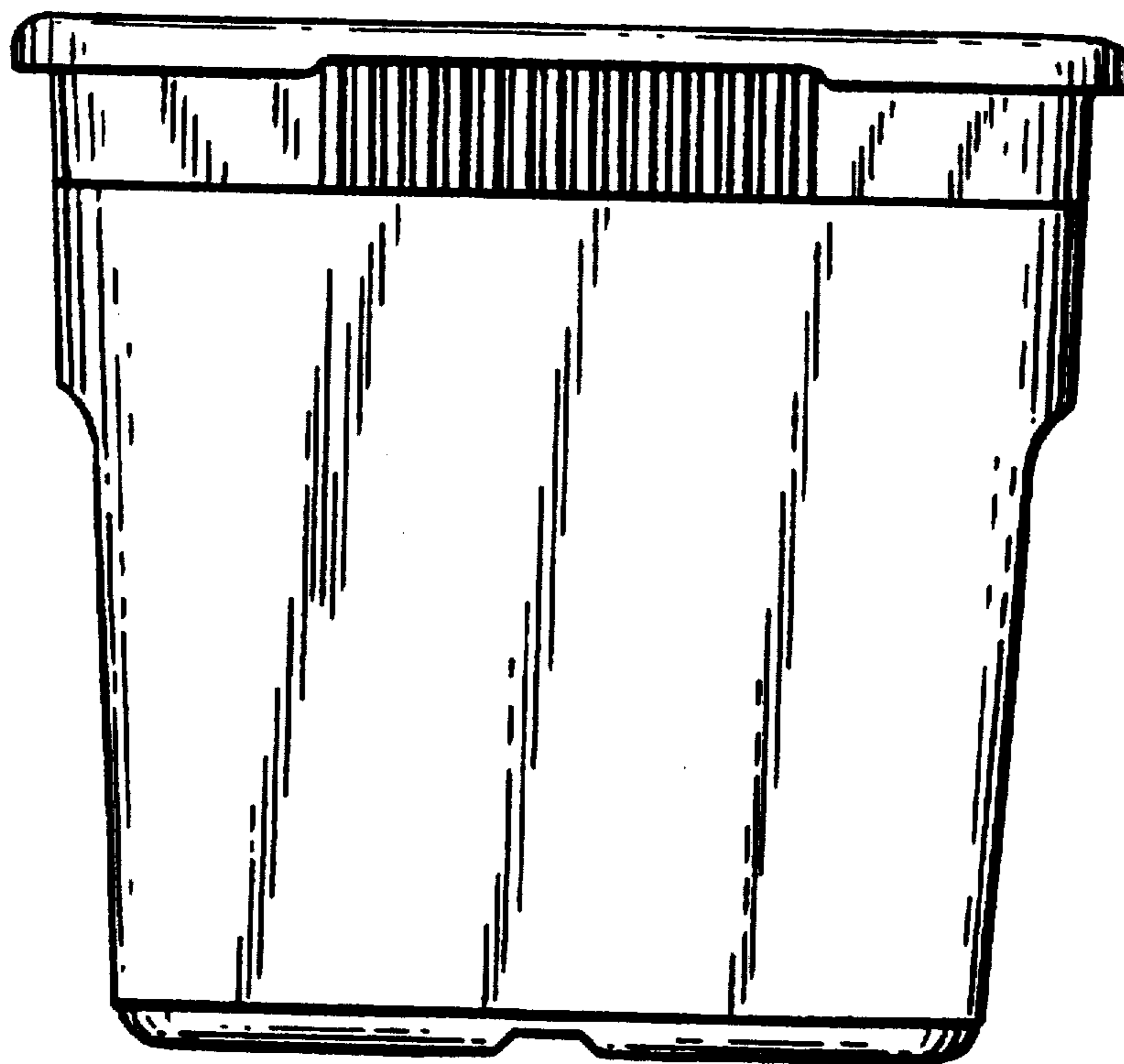


FIG. 4

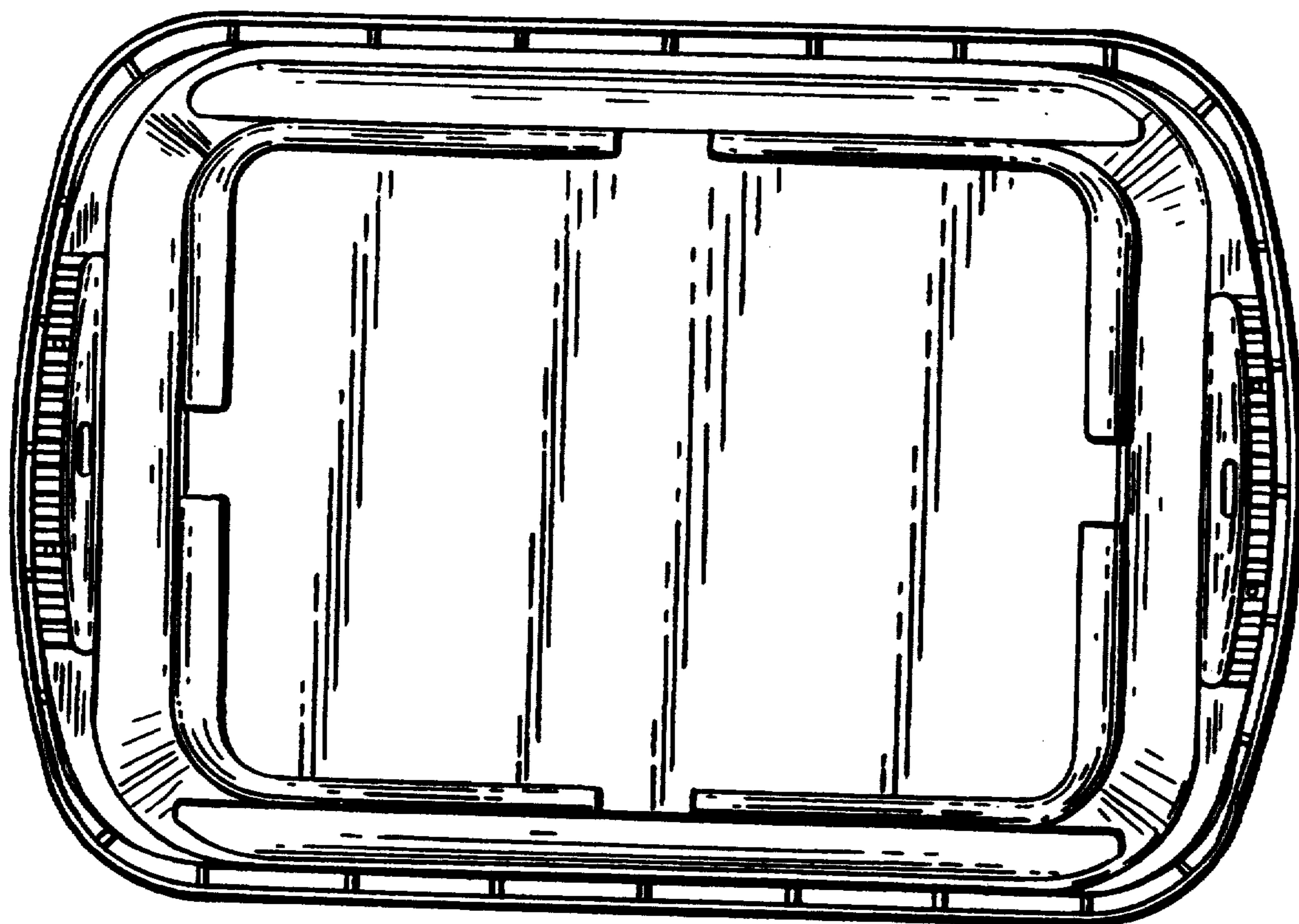


FIG. 5