



US00D351283S

# United States Patent [19] Wolff

[11] Patent Number: **Des. 351,283**

[45] Date of Patent: **\*\* Oct. 11, 1994**

- [54] **COSMETIC ORGANIZER**
- [75] Inventor: **Stacy L. Wolff, Akron, Ohio**
- [73] Assignee: **Rubbermaid Incorporated, Wooster, Ohio**
- [\*\*] Term: **14 Years**
- [21] Appl. No.: **3,477**
- [22] Filed: **Jan. 8, 1993**
- [52] U.S. Cl. .... **D3/281; D3/205; D3/242; D3/901**
- [58] Field of Search ..... **D3/201, 205, 242, 281, D3/294, 901; 206/581, 823**

4,936,463 6/1990 Tiramani ..... 206/581  
 5,211,302 5/1993 Tiramani ..... 206/823 X

### OTHER PUBLICATIONS

16 catalog pages, Caboodles, A Division of Plano Molding Company, 431 E. South St., Plano, Ill. 60545-1601; 1992.  
 1 page advertisement, Sassaby, Sassaby Ltd., Del Mar, Calif., 92014; 1991.

*Primary Examiner*—Louis S. Zarfaz  
*Attorney, Agent, or Firm*—Renner, Kenner, Greive, Bobak, Taylor & Weber

### CLAIM

[57] The ornamental design for a cosmetic organizer, as shown and described.

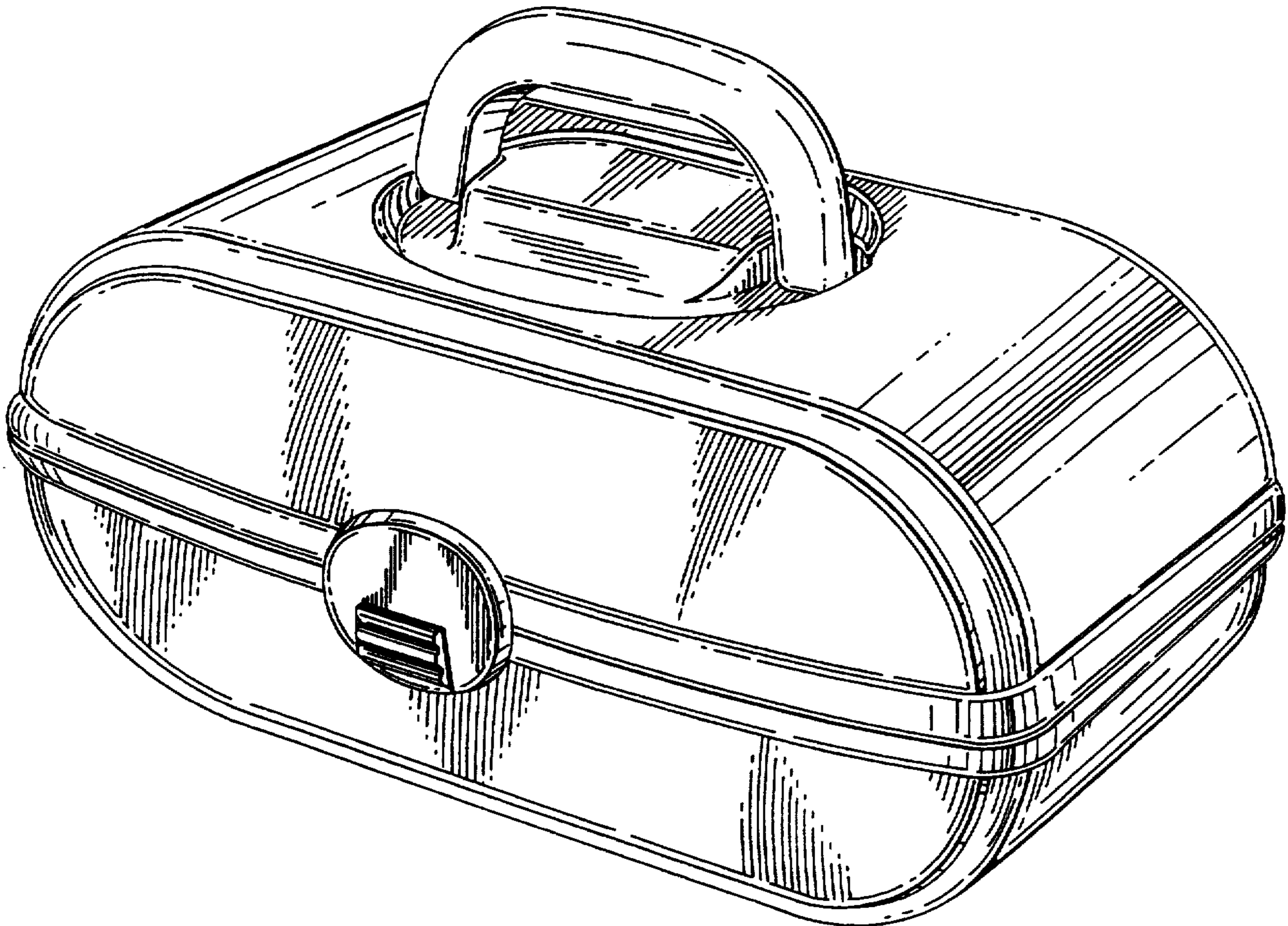
### DESCRIPTION

FIG. 1 is a perspective view of a cosmetic organizer embodying my new design;  
 FIG. 2 is a top plan view thereof;  
 FIG. 3 is a front elevational view thereof;  
 FIG. 4 is a side elevational view thereof, the opposite side being a mirror image of FIG. 4;  
 FIG. 5 is a rear elevational view thereof; and,  
 FIG. 6 is a bottom plan view thereof.

### References Cited

#### U.S. PATENT DOCUMENTS

- D. 492,217 6/1916 King .
- D. 136,596 11/1943 Robson ..... D3/901 X
- D. 137,884 5/1944 Yellin .
- D. 182,654 4/1958 Glaberson .
- D. 259,596 6/1981 Gray ..... D3/205
- D. 280,678 9/1985 Loscalzo et al. .... D3/901 X
- D. 315,247 3/1991 Lovell ..... D3/281
- D. 325,123 4/1992 Tiramani ..... D3/901 X
- D. 340,804 11/1993 Mason et al. .... D3/242 X
- 2,219,597 10/1940 Lutz ..... 206/12



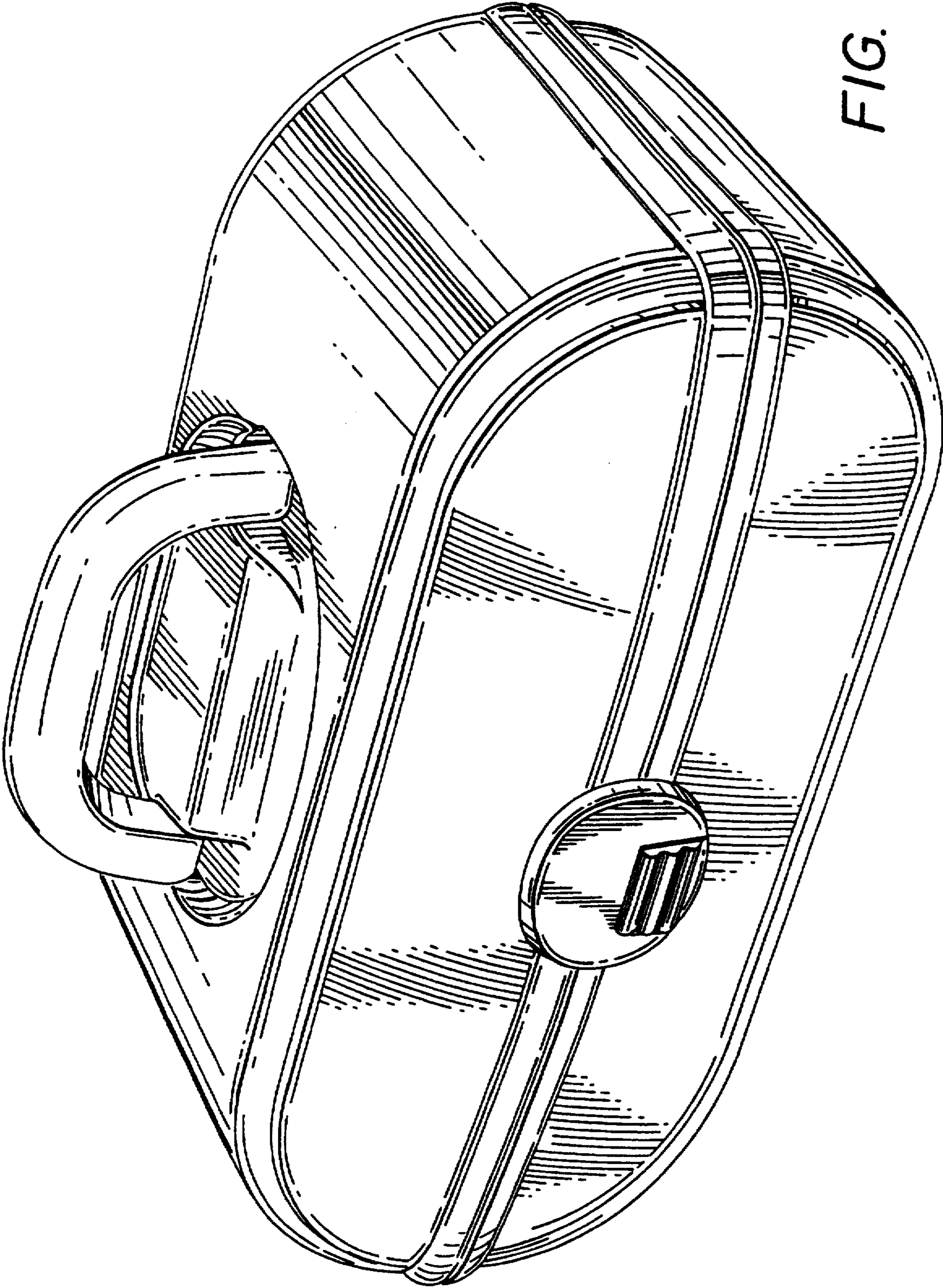
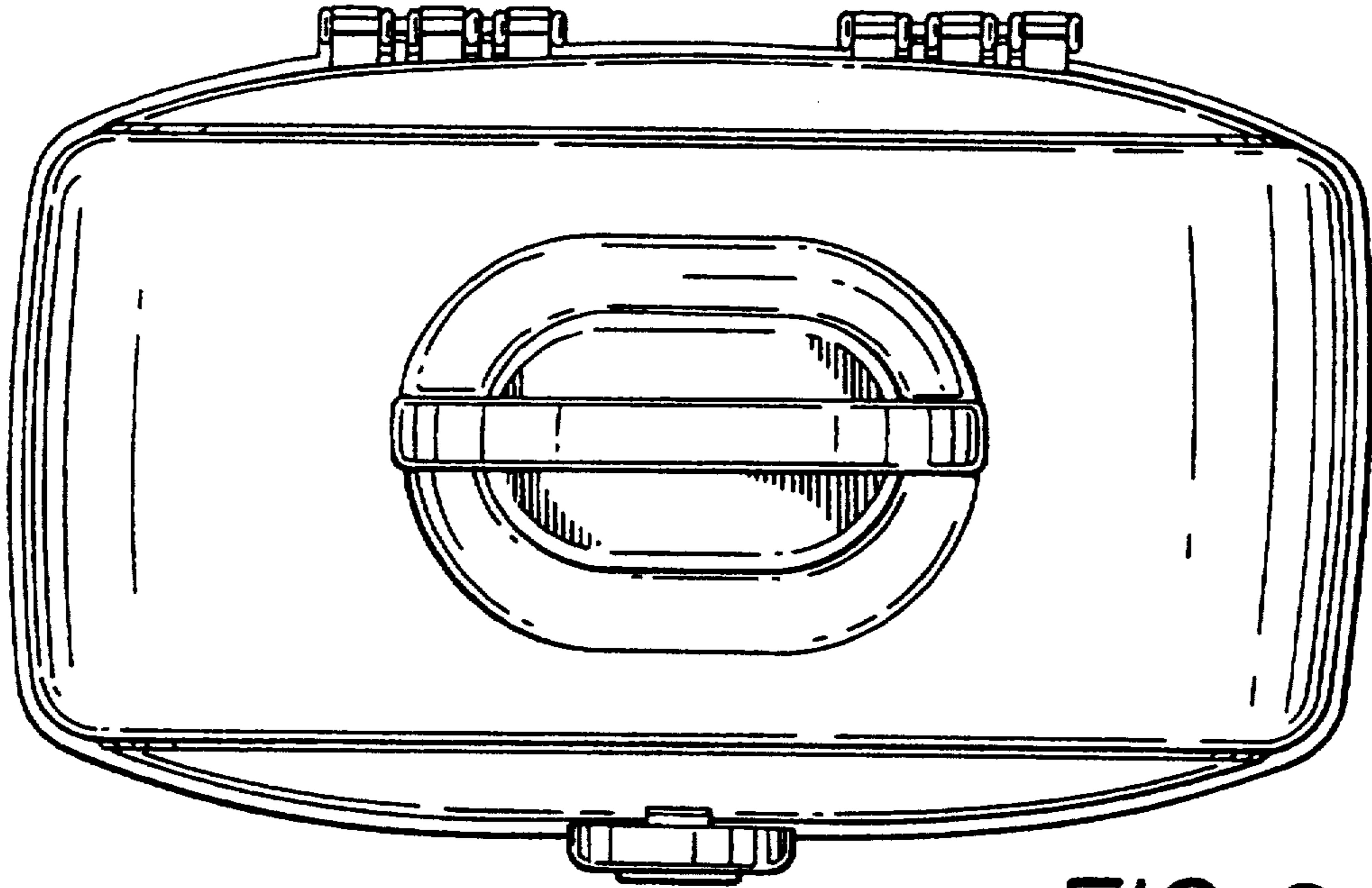
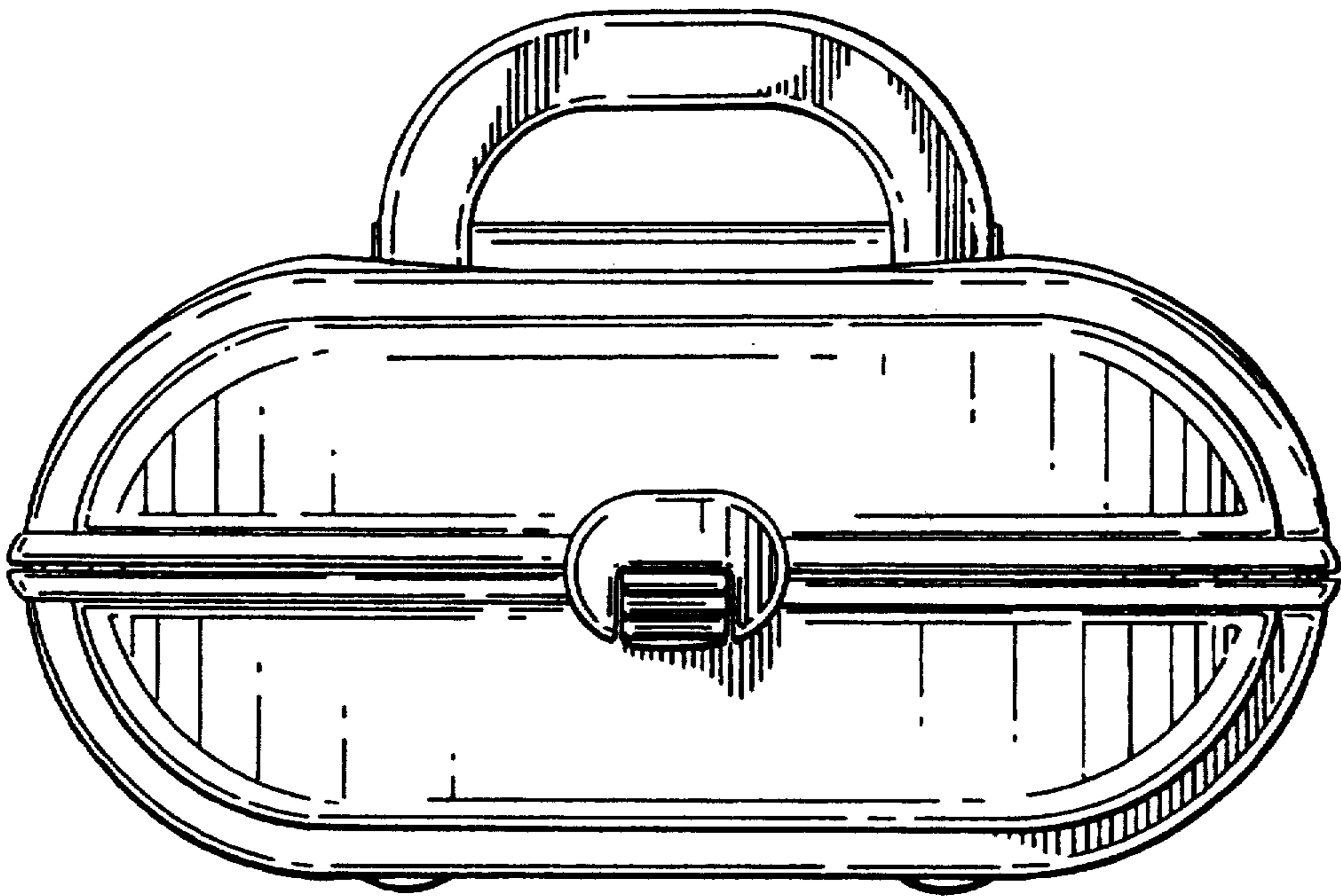


FIG. 1



*FIG. 2*



*FIG. 3*

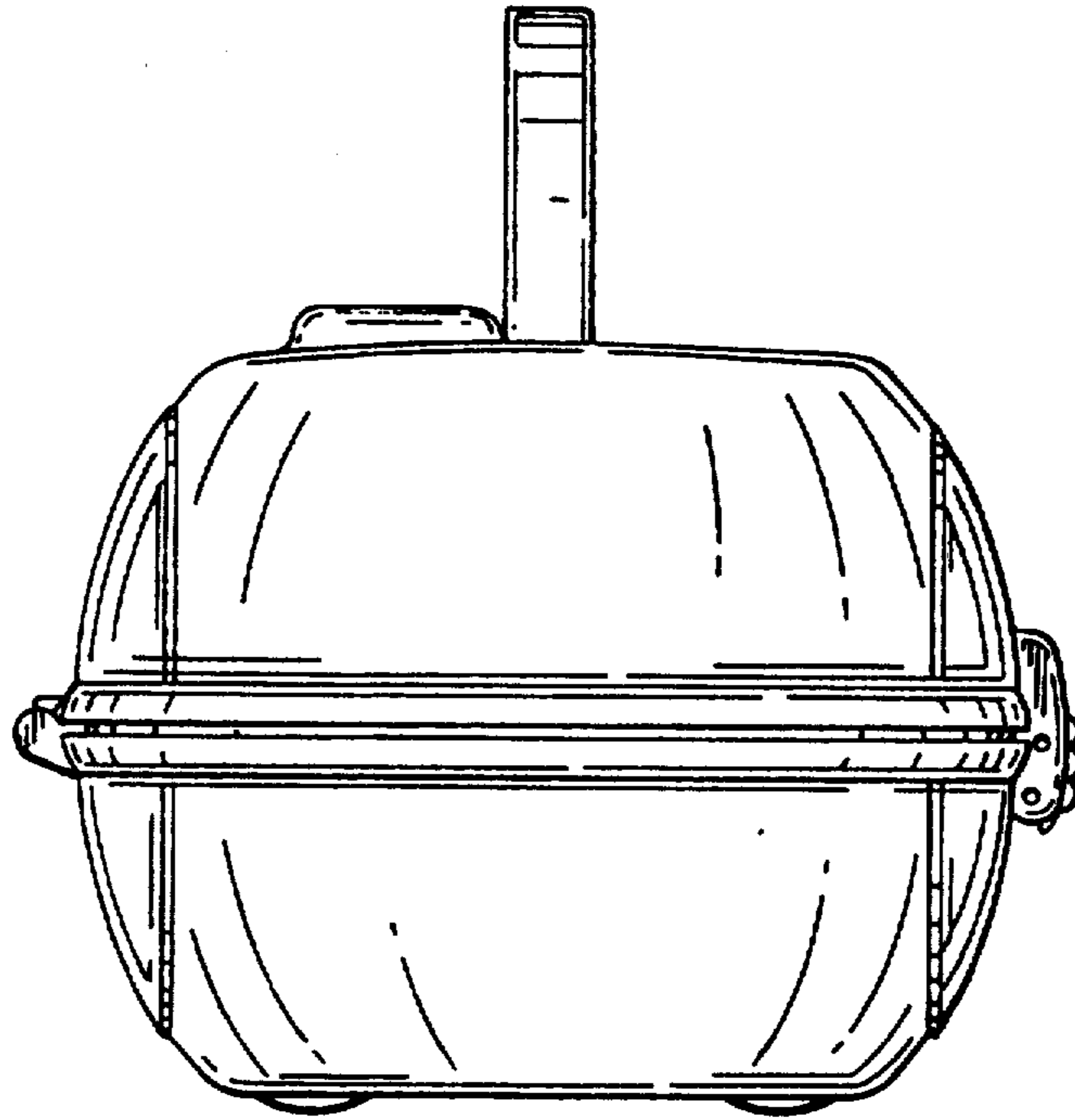


FIG. 4

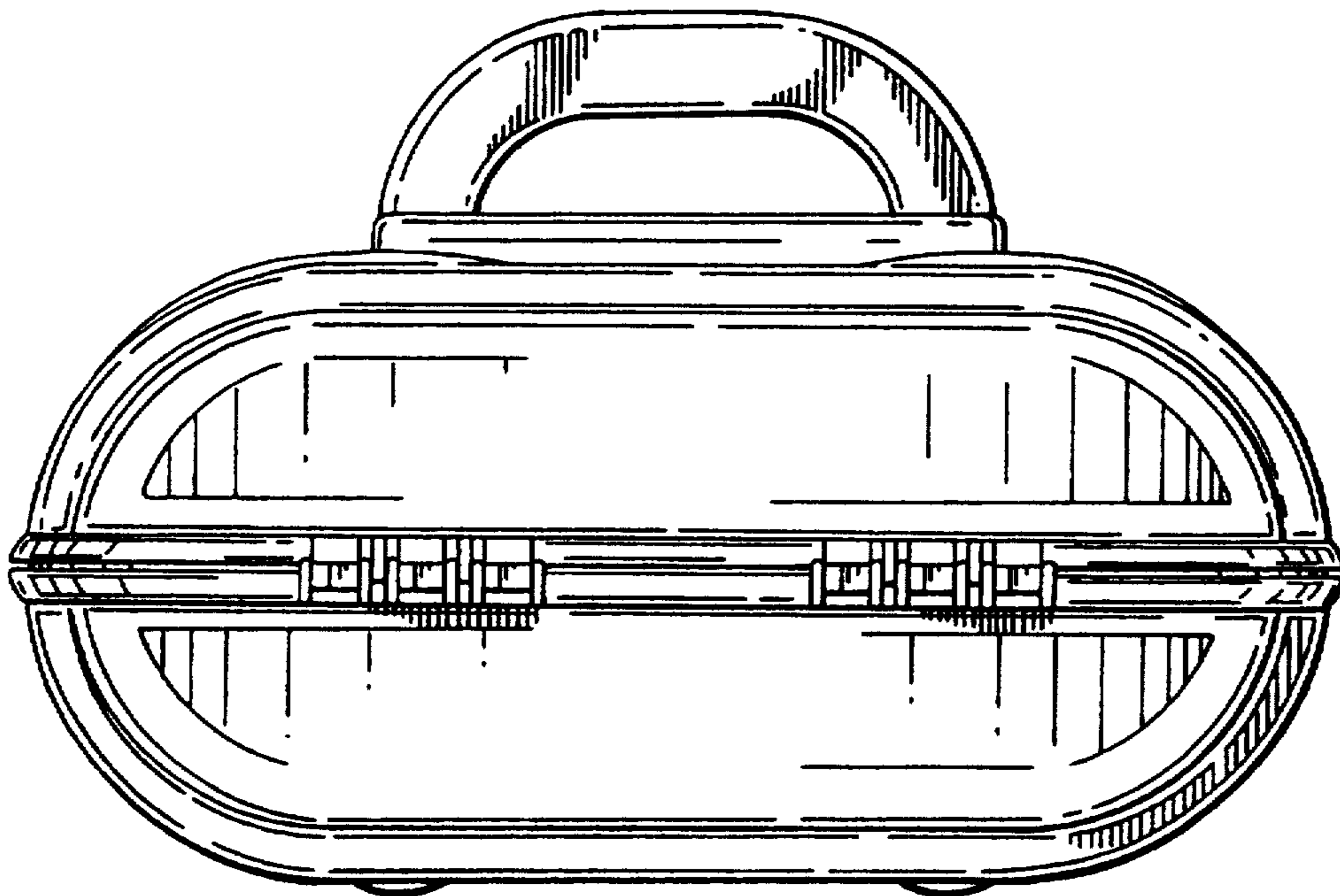
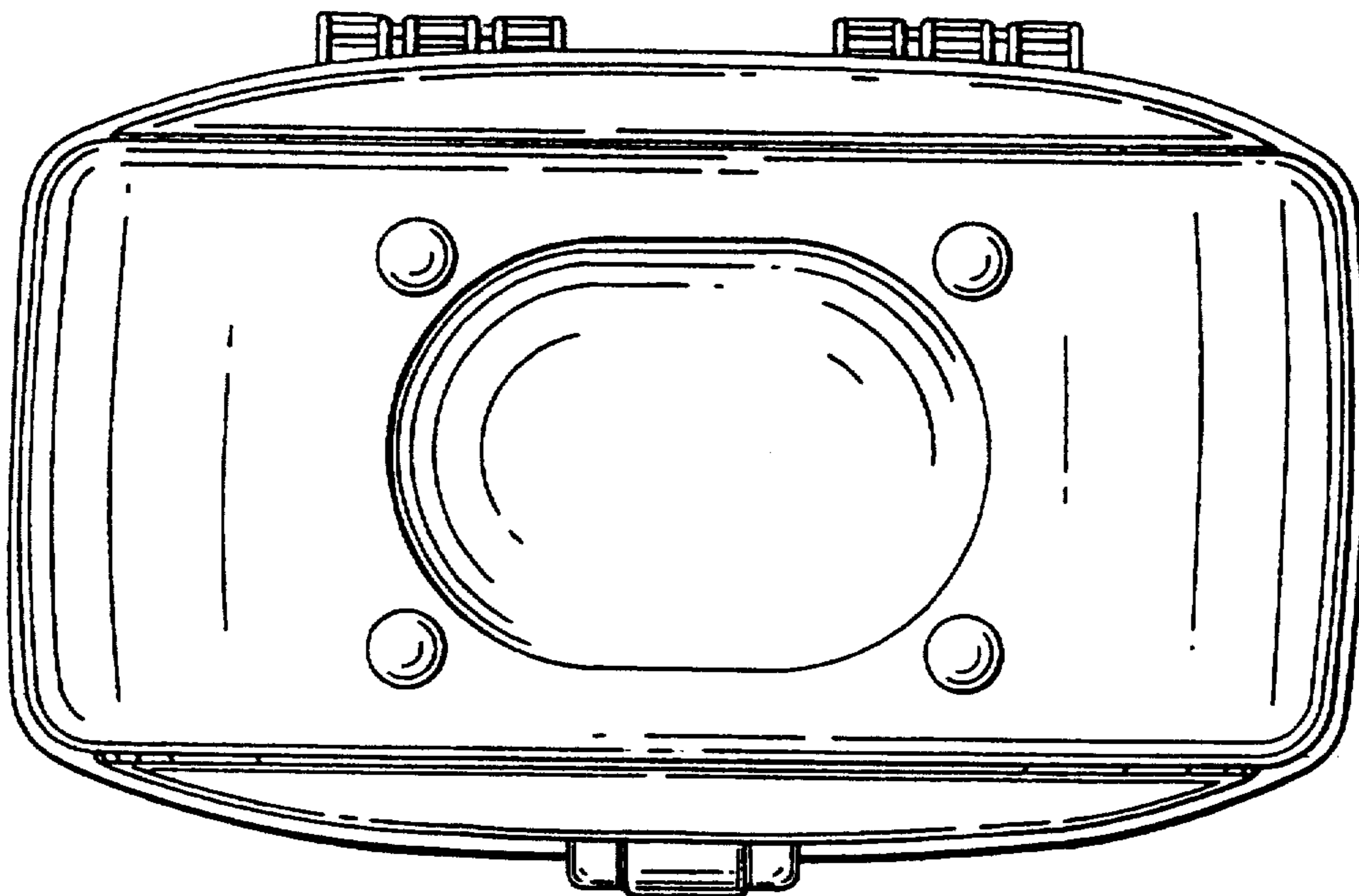


FIG. 5



*FIG. 6*