



US00D351269S

United States Patent [19]

[11] Patent Number: **Des. 351,269**

Moran

[45] Date of Patent: **** Oct. 4, 1994**

[54] **RECEPTACLE FOR LAWN DEBRIS**

[76] Inventor: **Sharon B. Moran**, 7040 W. Gardiner St., Milton, Fla. 32570

[**] Term: **14 Years**

[21] Appl. No.: **9,798**

[22] Filed: **Jun. 24, 1993**

[52] U.S. Cl. **D34/5**

[58] **Field of Search** 248/95, 97, 98, 99,
248/907; 383/70-73, 4, 42, 48; 220/9.2, 9.3;
D34/1, 5, 6, 7

[56] **References Cited**

U.S. PATENT DOCUMENTS

4,787,753	11/1988	Barnhart	D34/5
5,009,378	4/1991	Linsmeyer et al.	D34/5
5,011,103	4/1991	Hayes	248/95
5,149,028	9/1992	Blackaby	D34/5
5,183,339	2/1993	Williams	D34/5

Primary Examiner—Wallace R. Burke

Assistant Examiner—Robin V. Taylor
Attorney, Agent, or Firm—George A. Bode

[57] **CLAIM**

The ornamental design for a receptacle for lawn debris, as shown and described.

DESCRIPTION

FIG. 1 is a top plan view of a receptacle for lawn debris showing my new design;

FIG. 2 is a bottom plan view thereof;

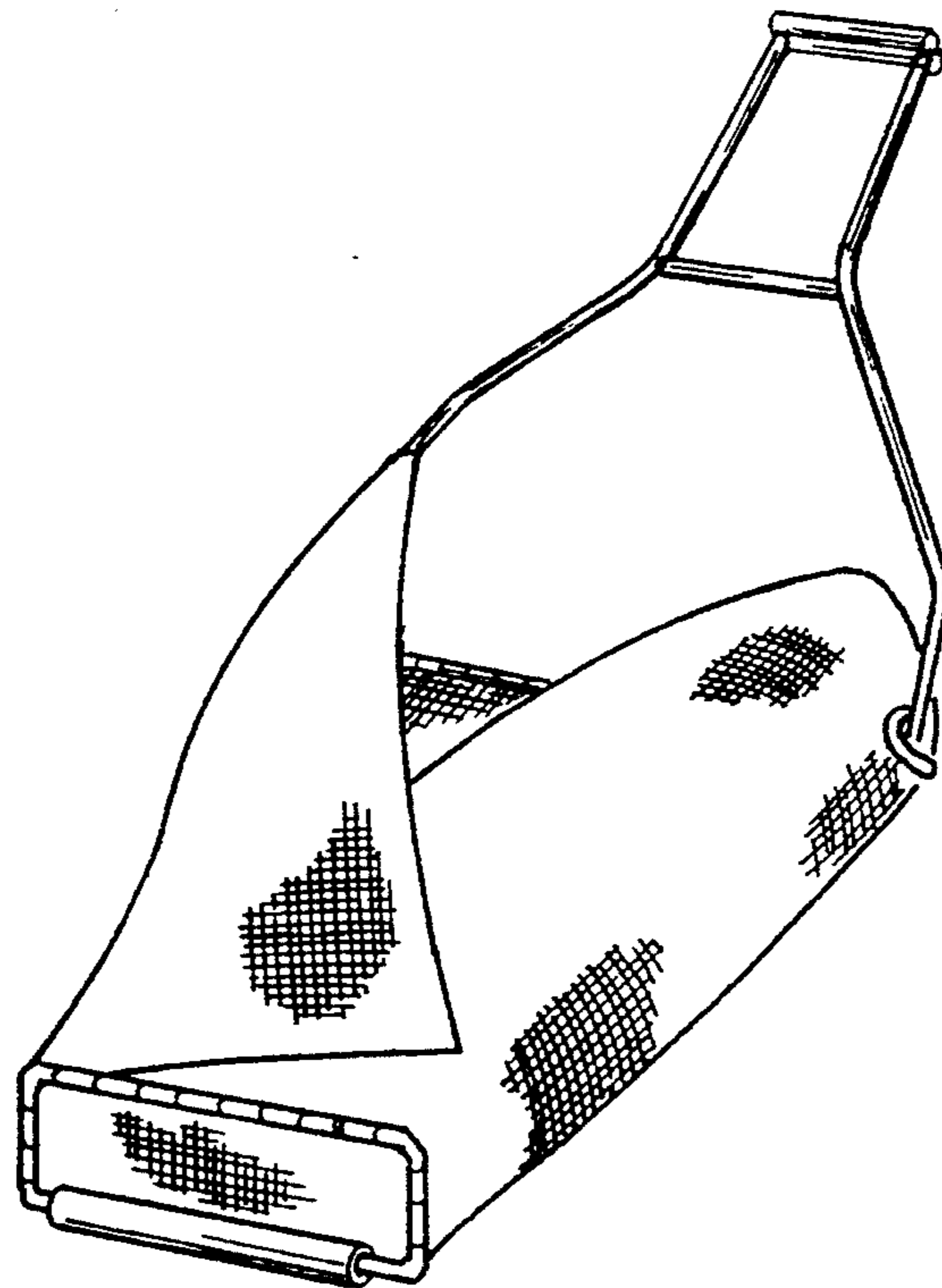
FIG. 3 is a left side elevational view thereof with the handle rotated ninety (90°) degrees from the position of FIG. 1;

FIG. 4 is a front elevational view thereof with the handle in the position of FIG. 3;

FIG. 5 is a rear elevational view thereof with the handle in the position of FIG. 3; and,

FIG. 6 is a top perspective view thereof.

The cross-line pattern on the receptacle, which is partially shown for ease of illustration, represents conventional fabric and is understood to repeat uniformly throughout the indicated area.



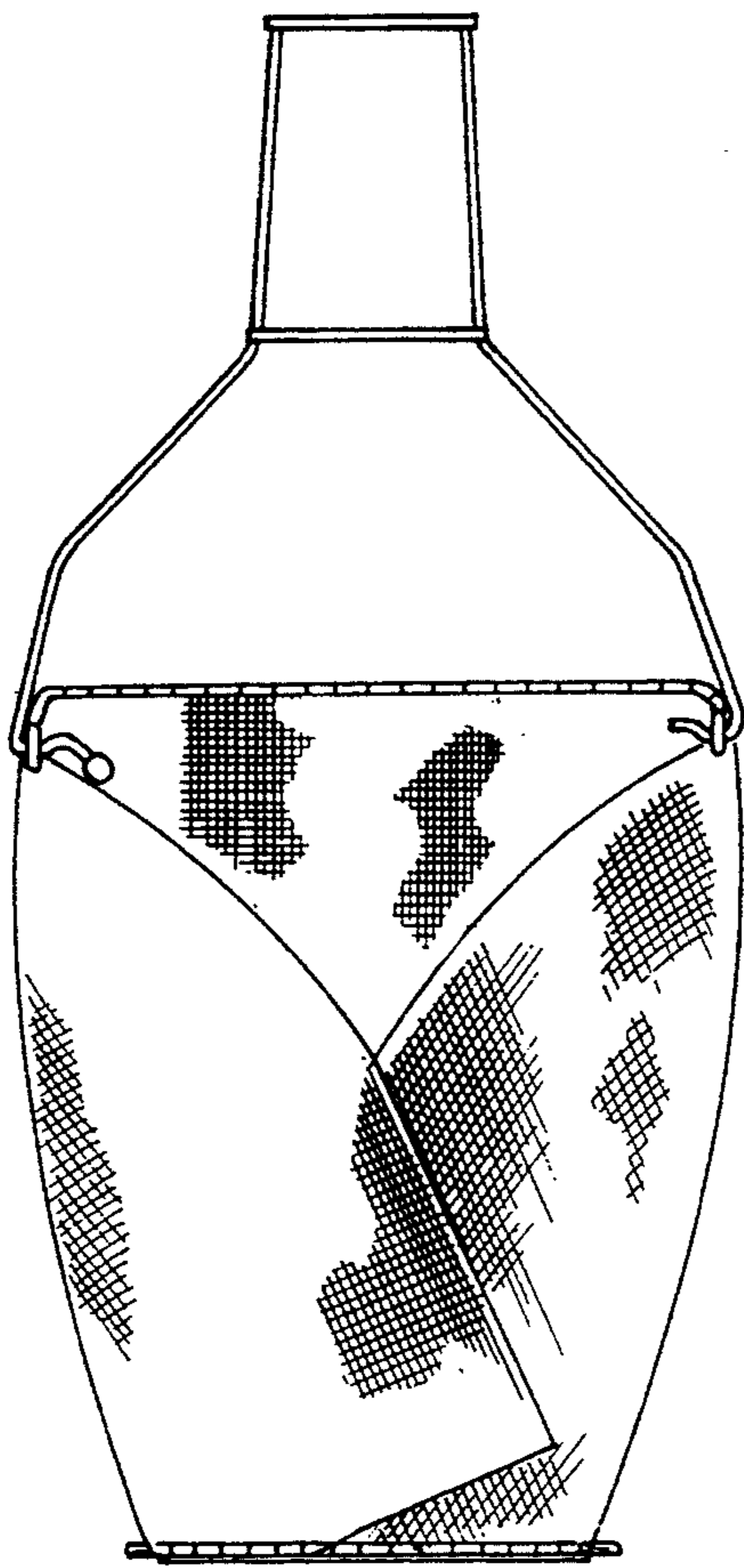


FIG. 1

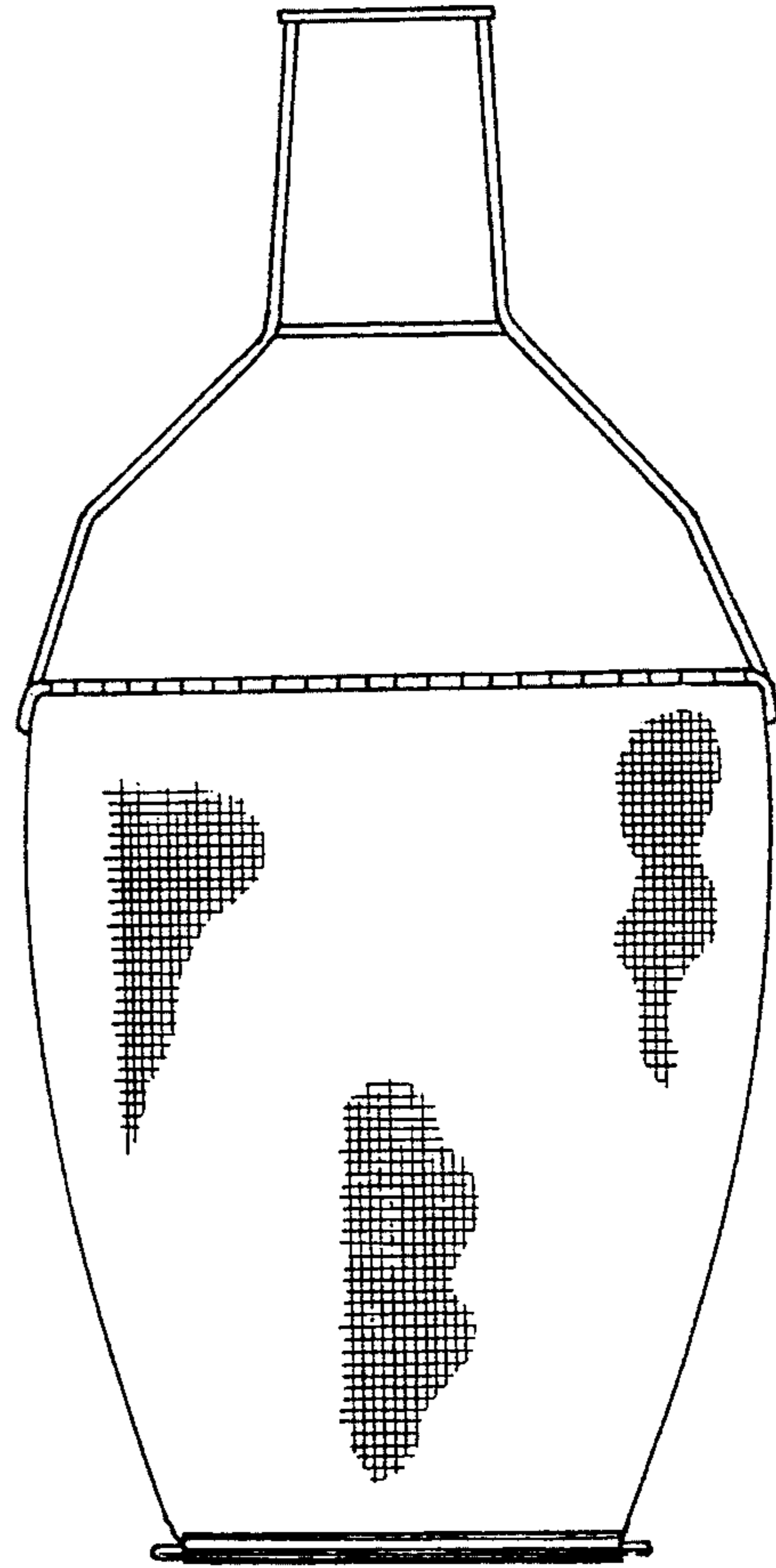


FIG. 2

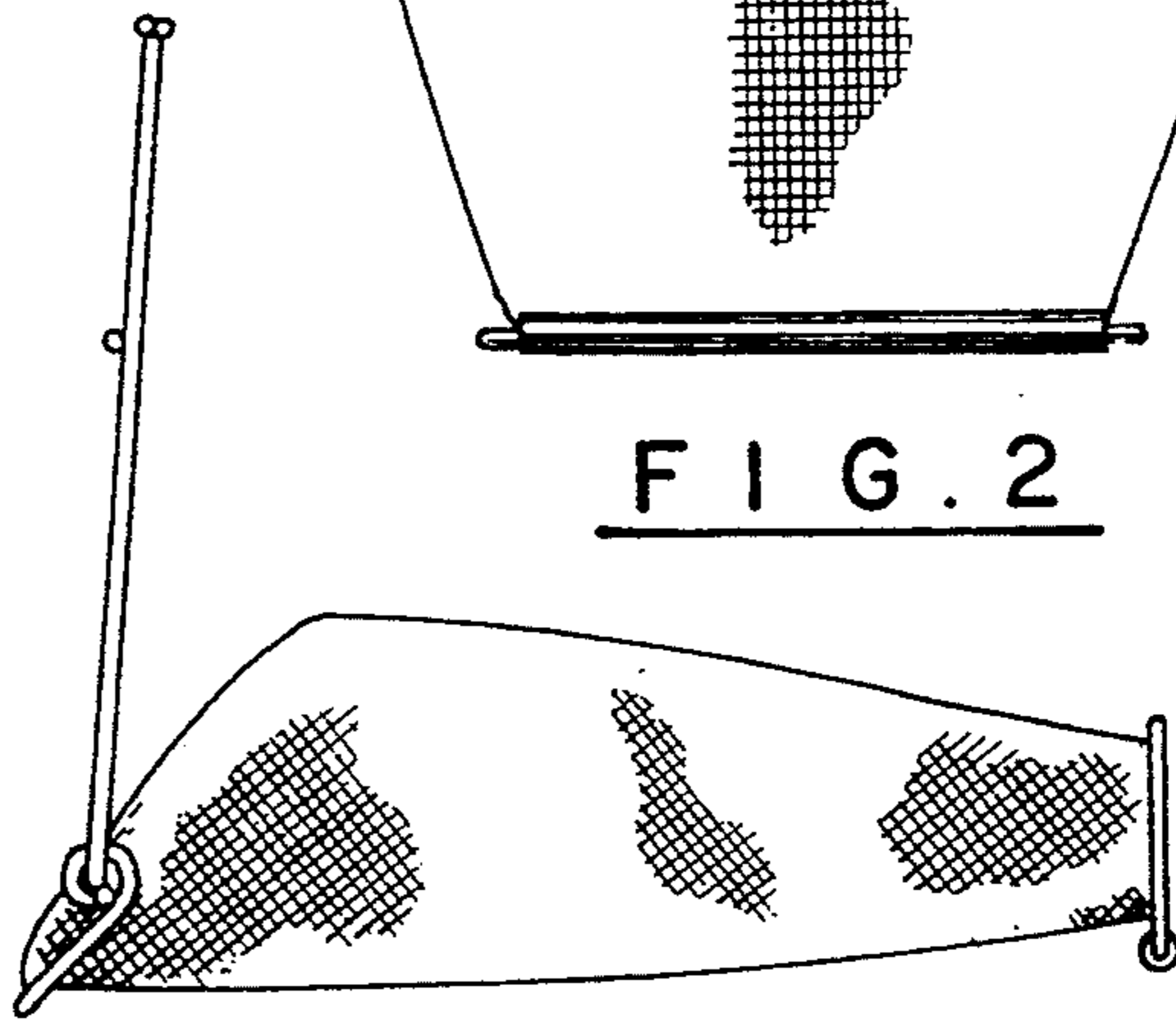


FIG. 3

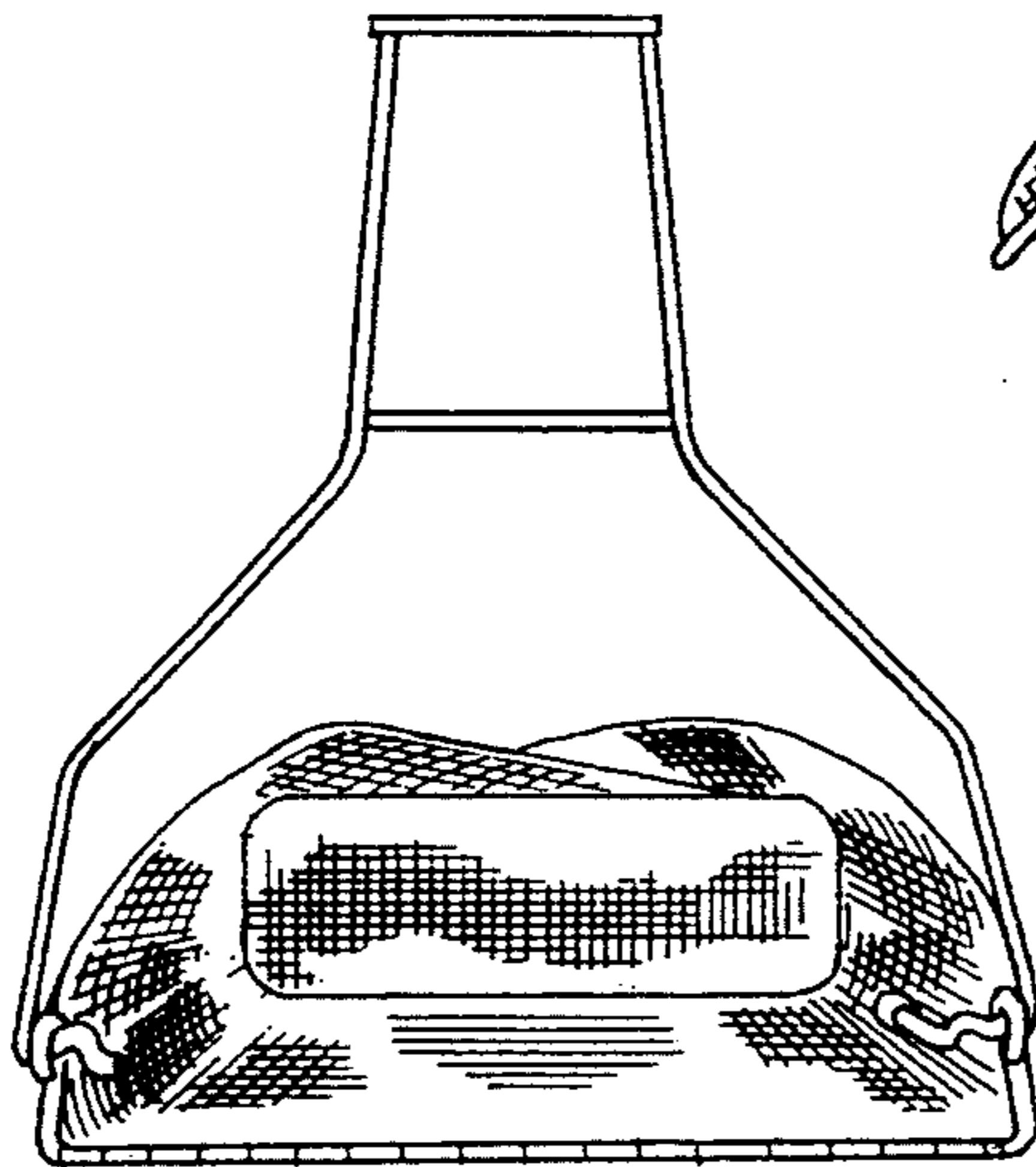


FIG. 4

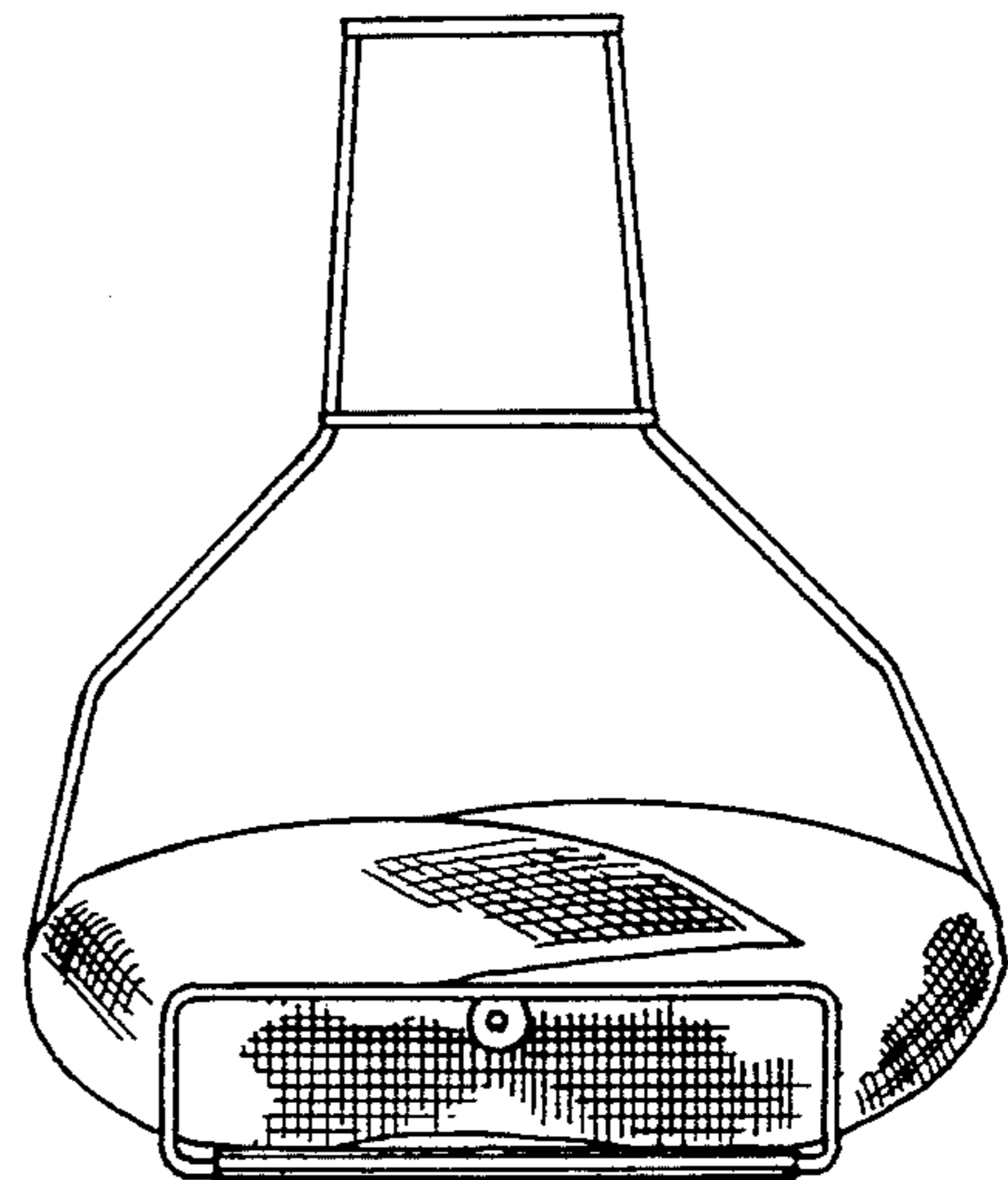


FIG. 5

