



US00D351267S

United States Patent [19]

[11] Patent Number: **Des. 351,267**

Libman

[45] Date of Patent: **** Oct. 4, 1994**

[54] **SPONGE MOP SQUEEZE PLATE WITH HANDLE GRIP**

[75] Inventor: **Robert J. Libman**, Champaign, Ill.

[73] Assignee: **The Libman Company**, Arcola, Ill.

[**] Term: **14 Years**

[21] Appl. No.: **630**

[22] Filed: **Oct. 22, 1992**

[52] U.S. Cl. **D32/44**

[58] Field of Search 15/116.1, 116.2, 119.1,
15/119.2; D32/44, 50-51

[56] **References Cited**

U.S. PATENT DOCUMENTS

D. 199,178	9/1964	Cornell et al.	D32/44
D. 200,569	3/1965	Farrell	D32/44
D. 205,442	8/1966	Tillinghast	D32/44
D. 206,995	2/1967	Wank et al.	D32/44

Primary Examiner—Wallace R. Burke
Assistant Examiner—Lavone D. Tabor
Attorney, Agent, or Firm—Marshall, O'Toole, Gerstein, Murray & Borun

[57] **CLAIM**

The ornamental design for a sponge mop squeeze plate with handle grip, as shown and described.

DESCRIPTION

FIG. 1 is a top, front and left side perspective view of a sponge mop squeeze plate with handle grip showing my new design;

FIG. 2 is a top plan view thereof;

FIG. 3 is a left side elevational view thereof with the right side being a mirror image thereof;

FIG. 4 is a bottom plan view thereof;

FIG. 5 is a front elevational view thereof; and,

FIG. 6 is a rear elevational view thereof.

The portions of a sponge mop and mop handle shown in broken lines in the drawings is for illustrative purposes only and forms no part of the claimed design.

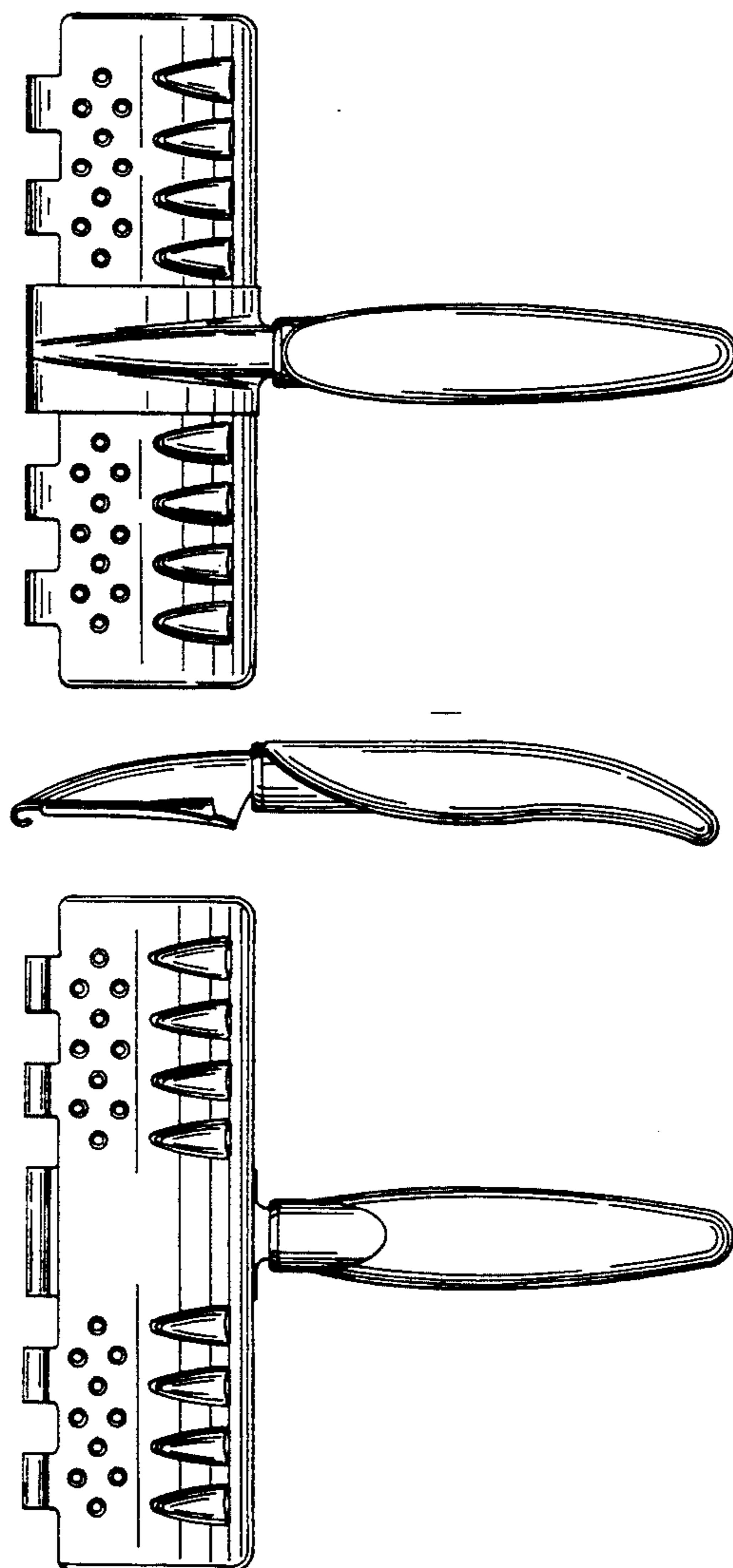


FIG. 1

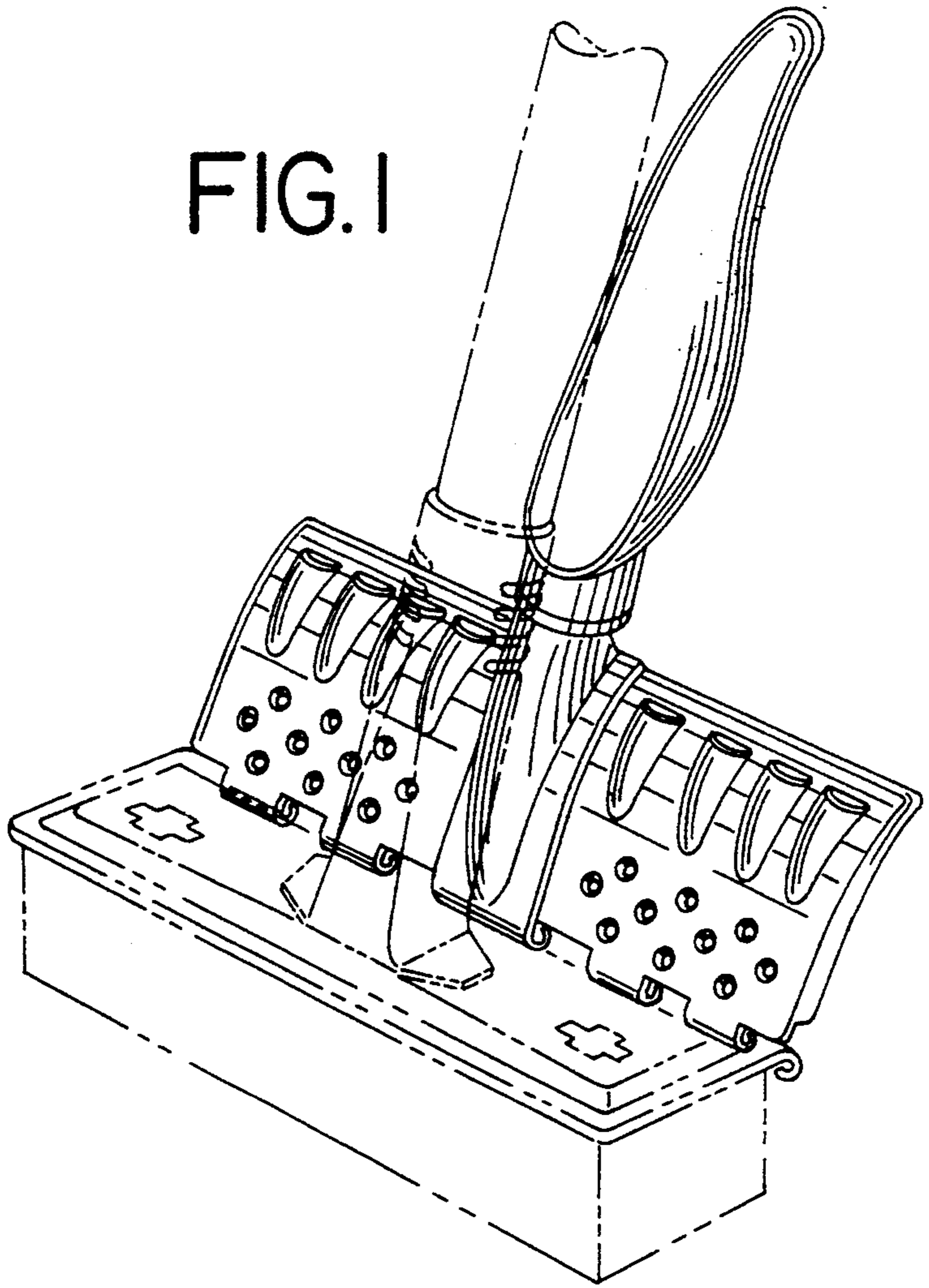


FIG. 2

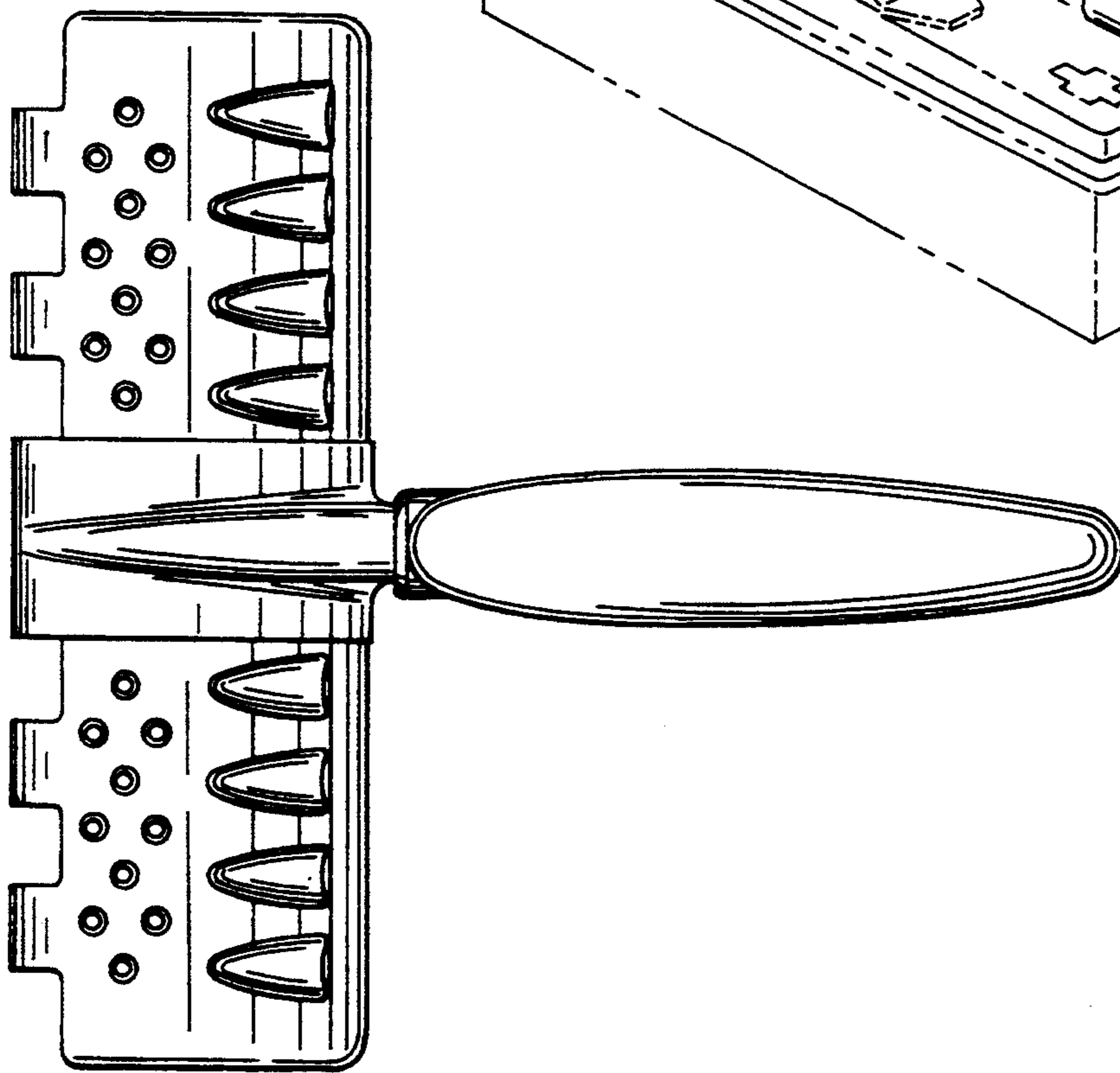
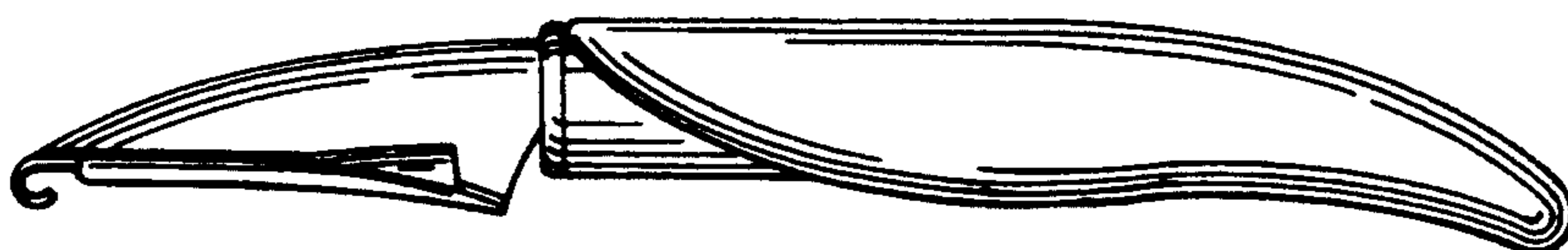


FIG. 3



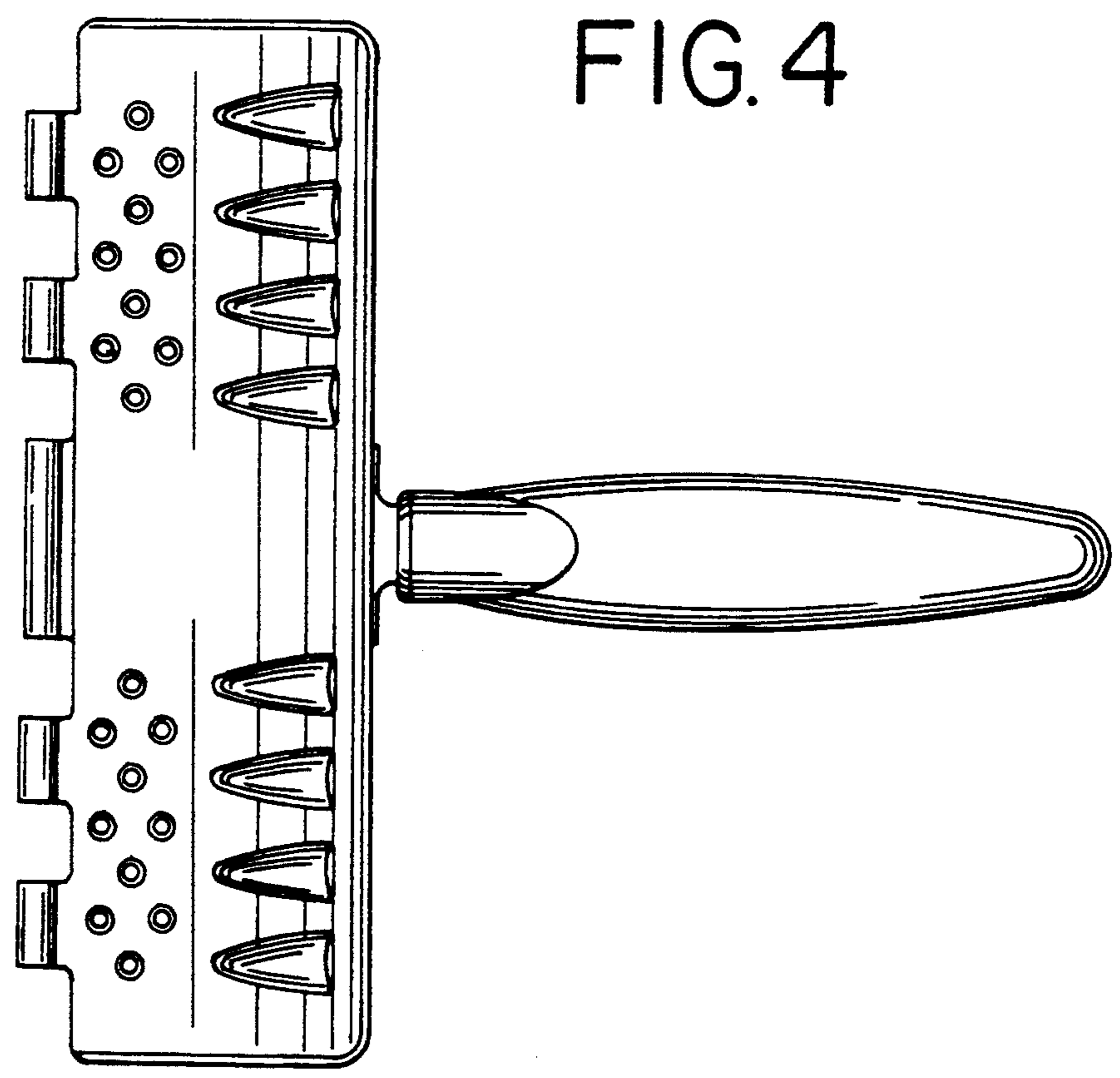


FIG. 4



FIG. 5

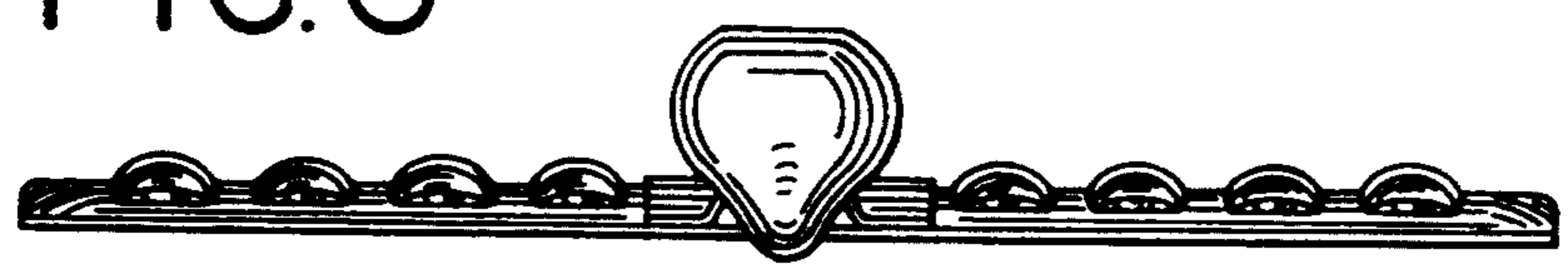


FIG. 6