



US00D351266S

United States Patent [19]
Licari

[11] **Patent Number: Des. 351,266**
[45] **Date of Patent: ** Oct. 4, 1994**

[54] **LAUNDRY BASKET**

[76] **Inventor: Yaffa Licari, 875 Ocean Ave., Elberon, N.J. 07740**

[**] **Term: 14 Years**

[21] **Appl. No.: 3,461**

[22] **Filed: Jan. 7, 1993**

[52] **U.S. Cl. D32/37**

[58] **Field of Search 220/675, 676, 908, 909, 220/913; 206/518, 520; D32/37; D34/40, 41, 42, 43, 44, 45, 46**

[56] **References Cited**

U.S. PATENT DOCUMENTS

D. 223,207 10/1974 Molzen D32/37

OTHER PUBLICATIONS

The Harrington and King Perforating Co. 1961 p. 144 Style J Grille.

Rubbermaid Inc. 1977 p. 15 item 2967 Laundry Basket.

Primary Examiner—Wallace R. Burke
Assistant Examiner—Robin V. Taylor
Attorney, Agent, or Firm—Morton Chirnomas

[57] **CLAIM**

The ornamental design for a laundry basket, as shown and described.

DESCRIPTION

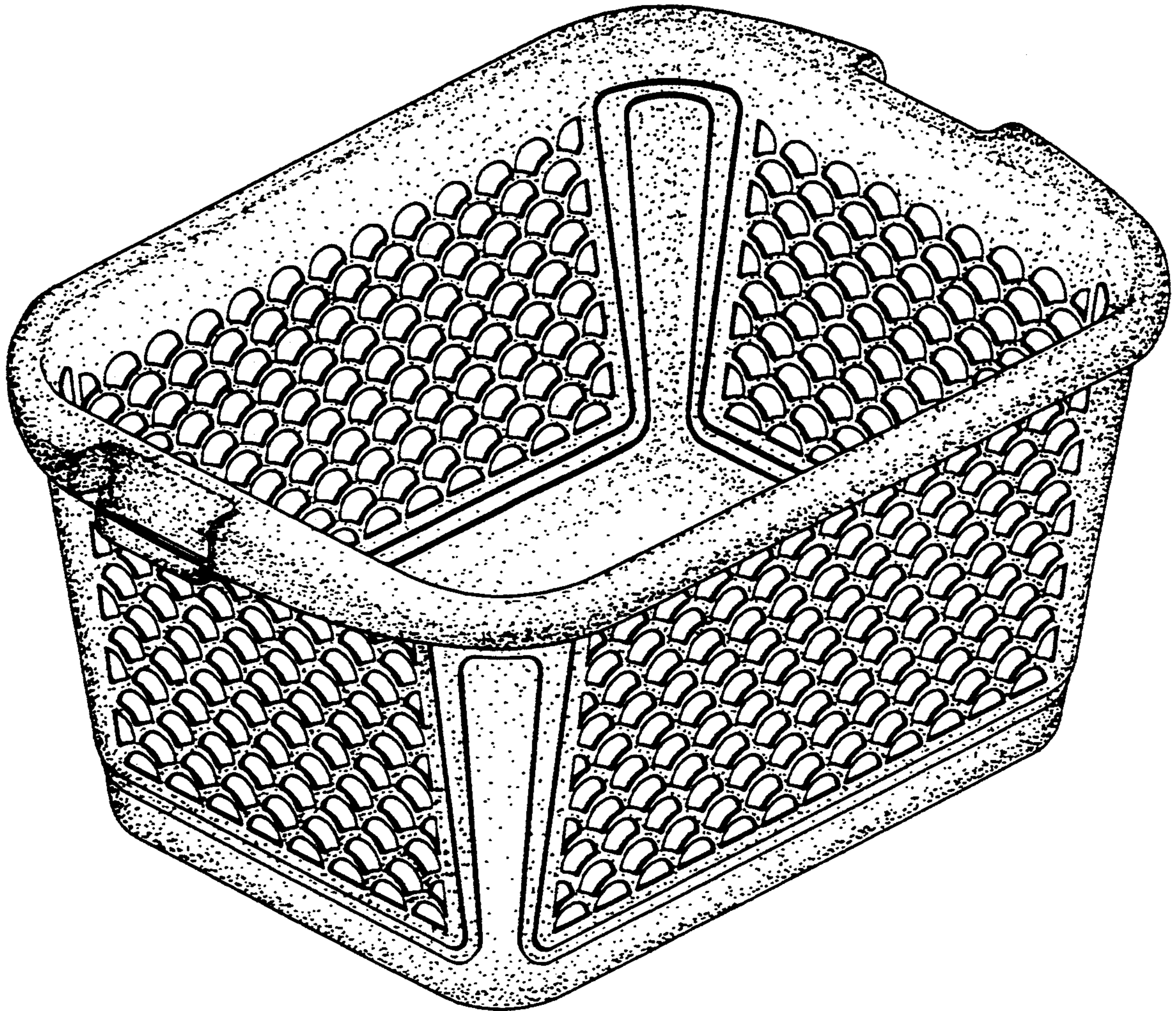
FIG. 1 is a perspective view, taken from the top and front, left side, showing the laundry basket of our new design;

FIG. 2 is a front elevational view of the laundry basket shown in FIG. 1, the rear elevational view being a mirror image thereof and therefore not being shown;

FIG. 3 is a left side elevation view thereof, the right side elevational view being a mirror image thereof and therefore not being shown;

FIG. 4 is a top plan view thereof; and,

FIG. 5 is a bottom plan view thereof.



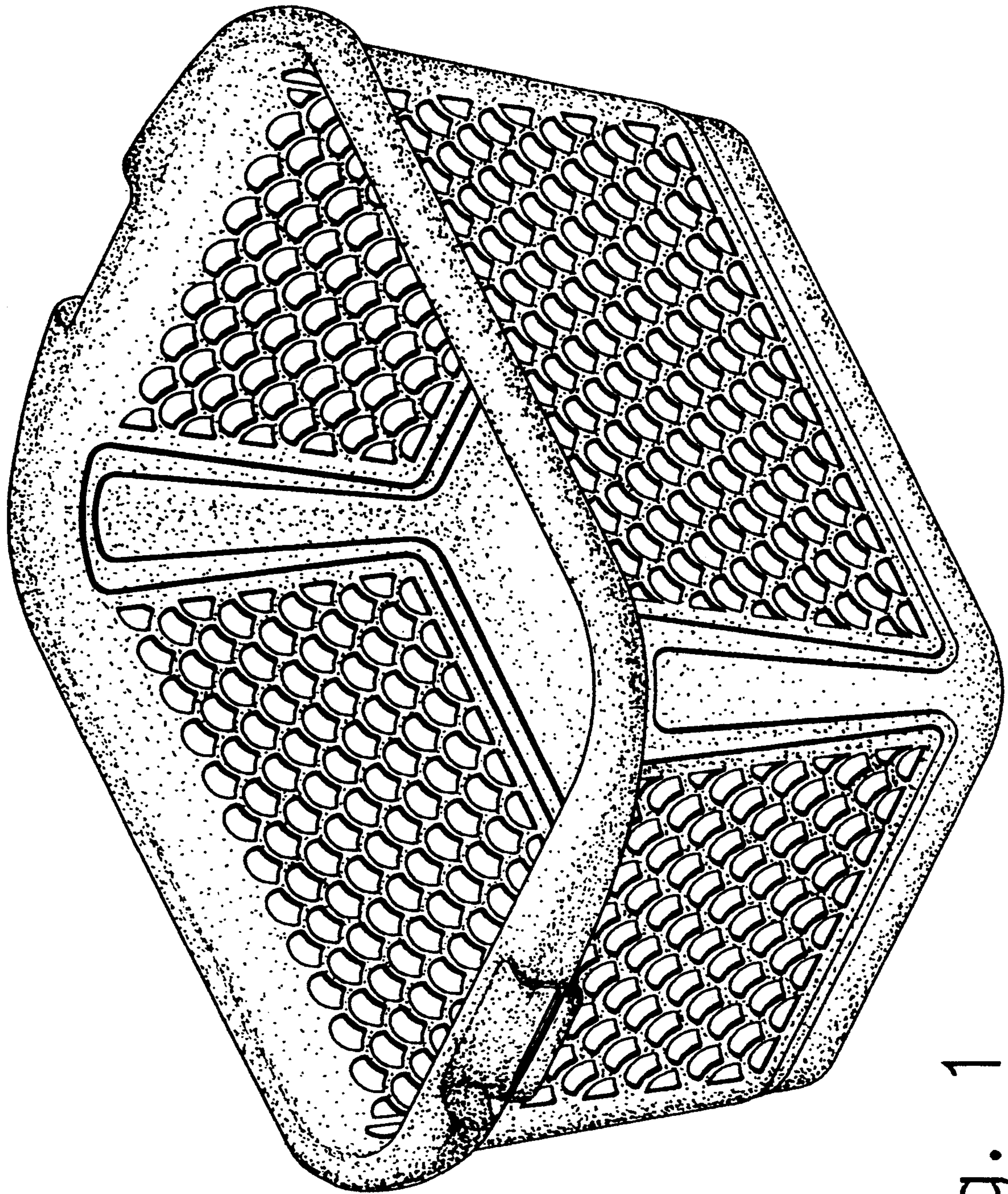


Fig. 1

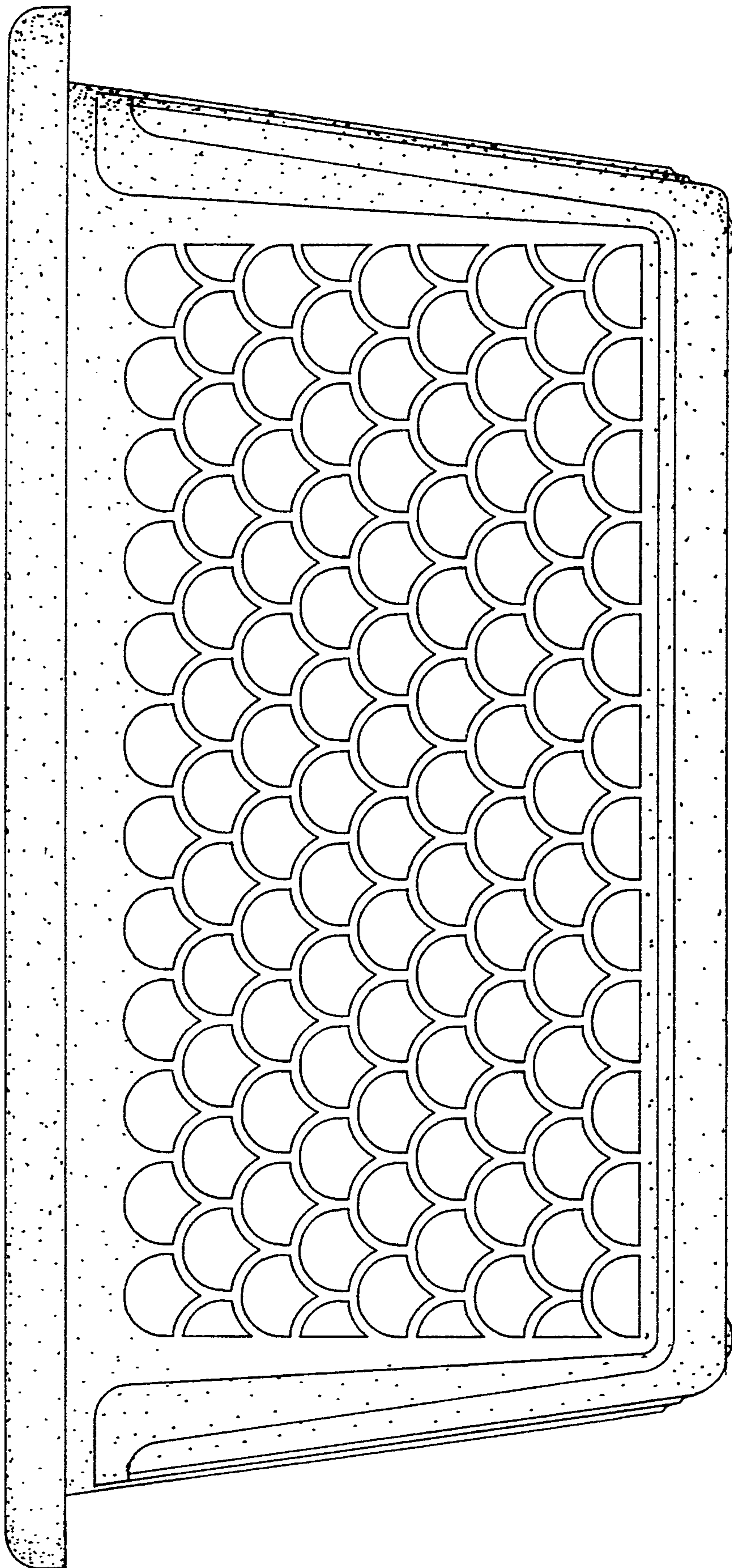


FIG. 2

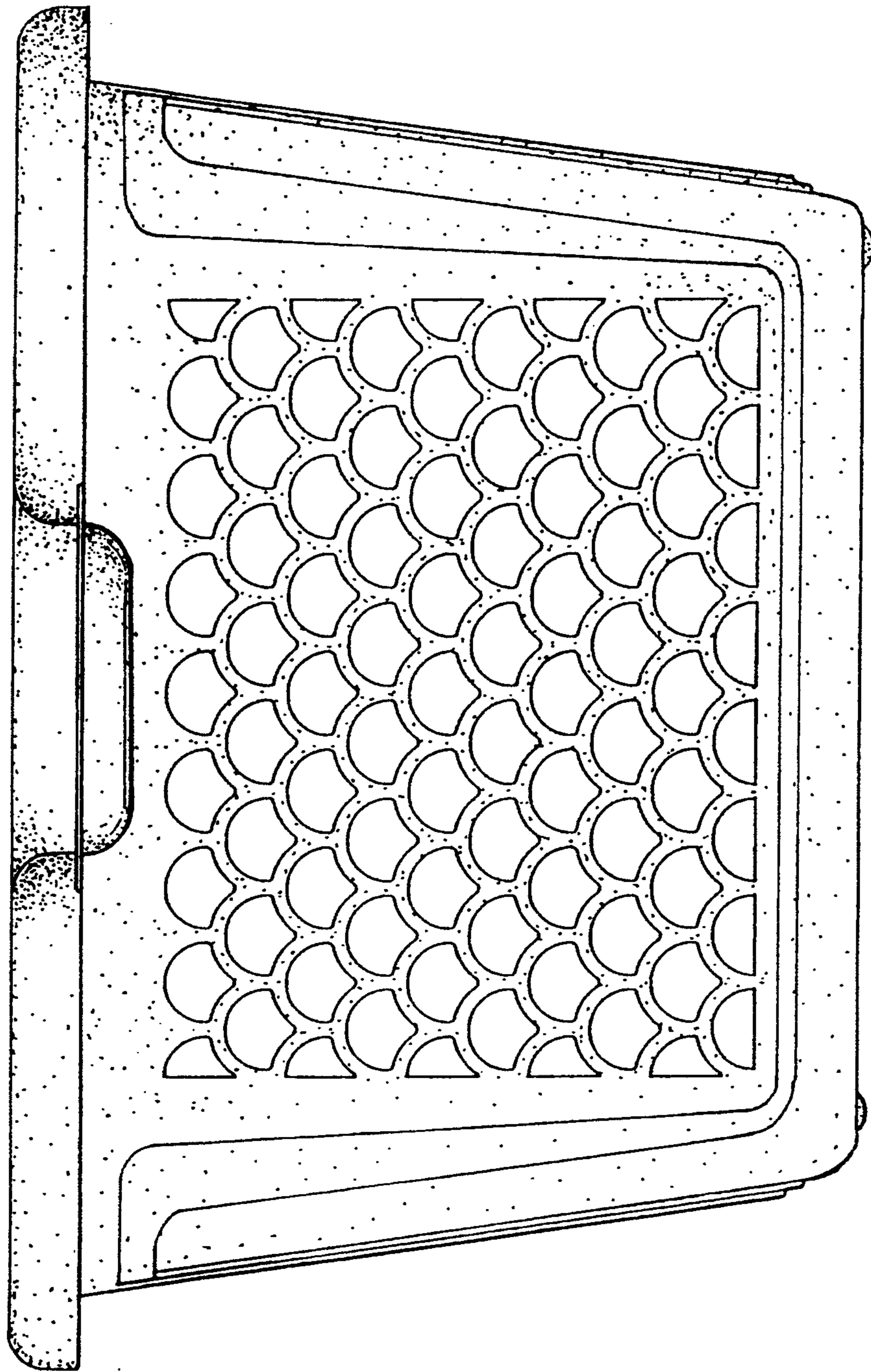


FIG. 3

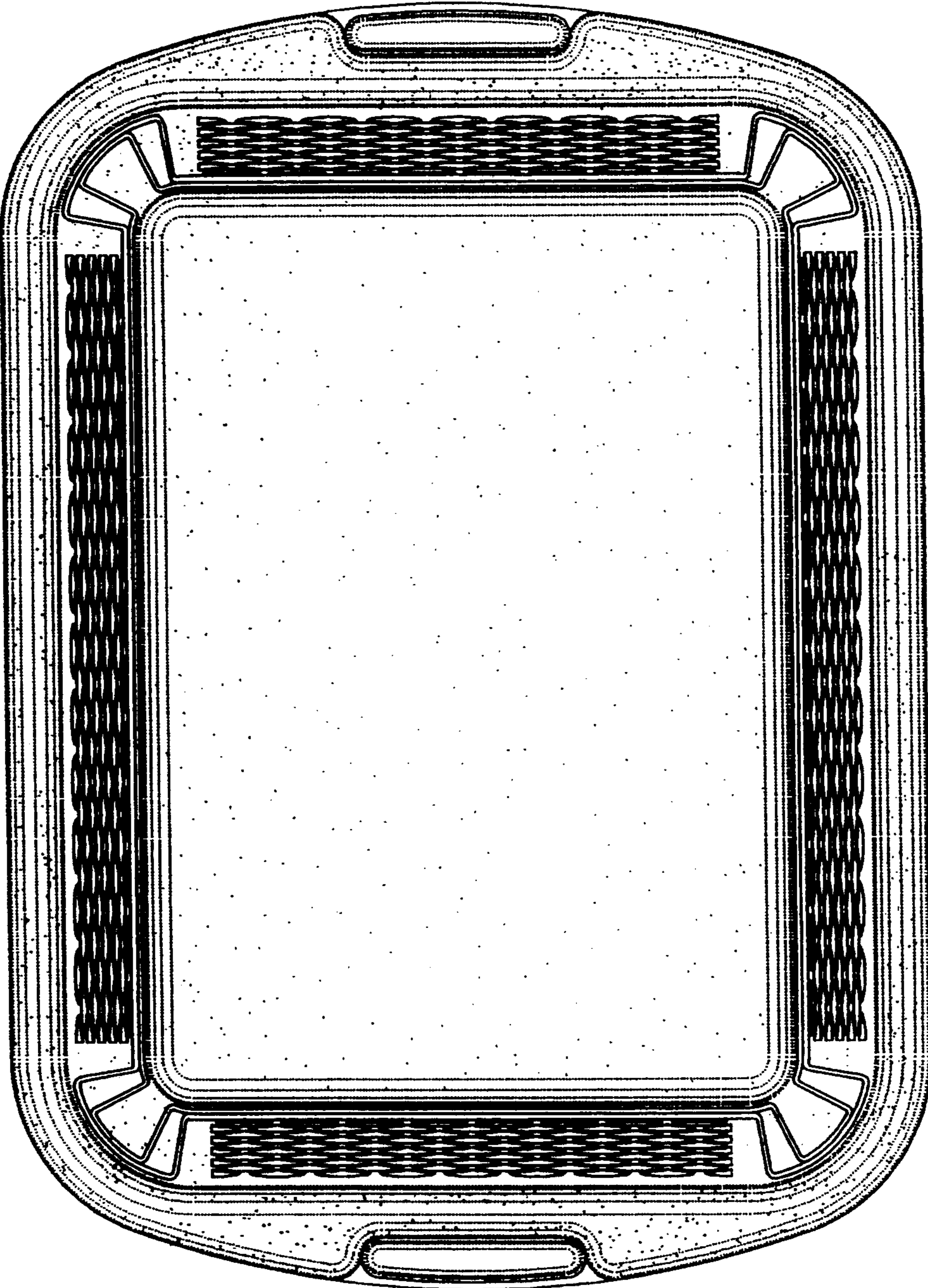


FIG. 4

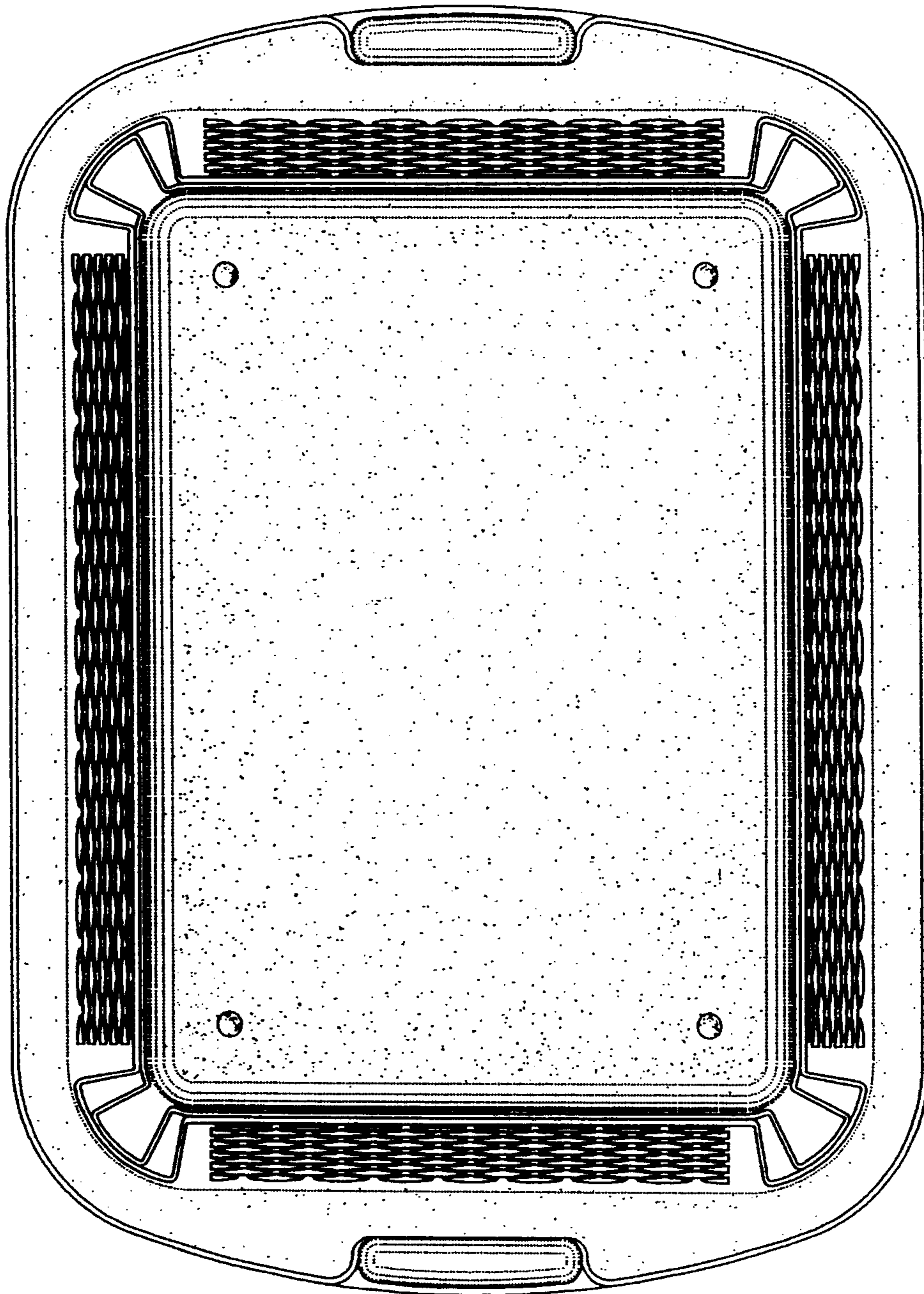


FIG. 5