



US00D351263S

# United States Patent [19]

[11] Patent Number: **Des. 351,263**

**Evans**

[45] Date of Patent: **\*\* Oct. 4, 1994**

[54] **LINED PET FOOD DISH**  
[76] Inventor: **David S. Evans**, 2572 Riva Rd., Apt. #15B, Annapolis, Md. 21401

3,698,594 10/1972 Boehlert ..... D30/129  
3,991,719 11/1976 Bruce ..... 119/61  
4,716,855 1/1988 Andersson et al. .... 119/61  
5,209,184 5/1993 Sharkan et al. .... 119/61

[\*\*] Term: **14 Years**  
[21] Appl. No.: **4,079**  
[22] Filed: **Jan. 26, 1993**

### FOREIGN PATENT DOCUMENTS

8401729 12/1985 Netherlands ..... 119/51.5

*Primary Examiner*—Cathy Anne MacCormac  
*Attorney, Agent, or Firm*—Gay Ann Spahn

### Related U.S. Application Data

[63] Continuation-in-part of Ser. No. 1,085, Nov. 2, 1992, abandoned.  
[52] U.S. Cl. .... **D30/129**  
[58] Field of Search ..... 119/61, 51.5; D30/129, D30/132-133, 121-122, 130, 131

### [57] CLAIM

The ornamental design for a lined pet food dish, as shown and described.

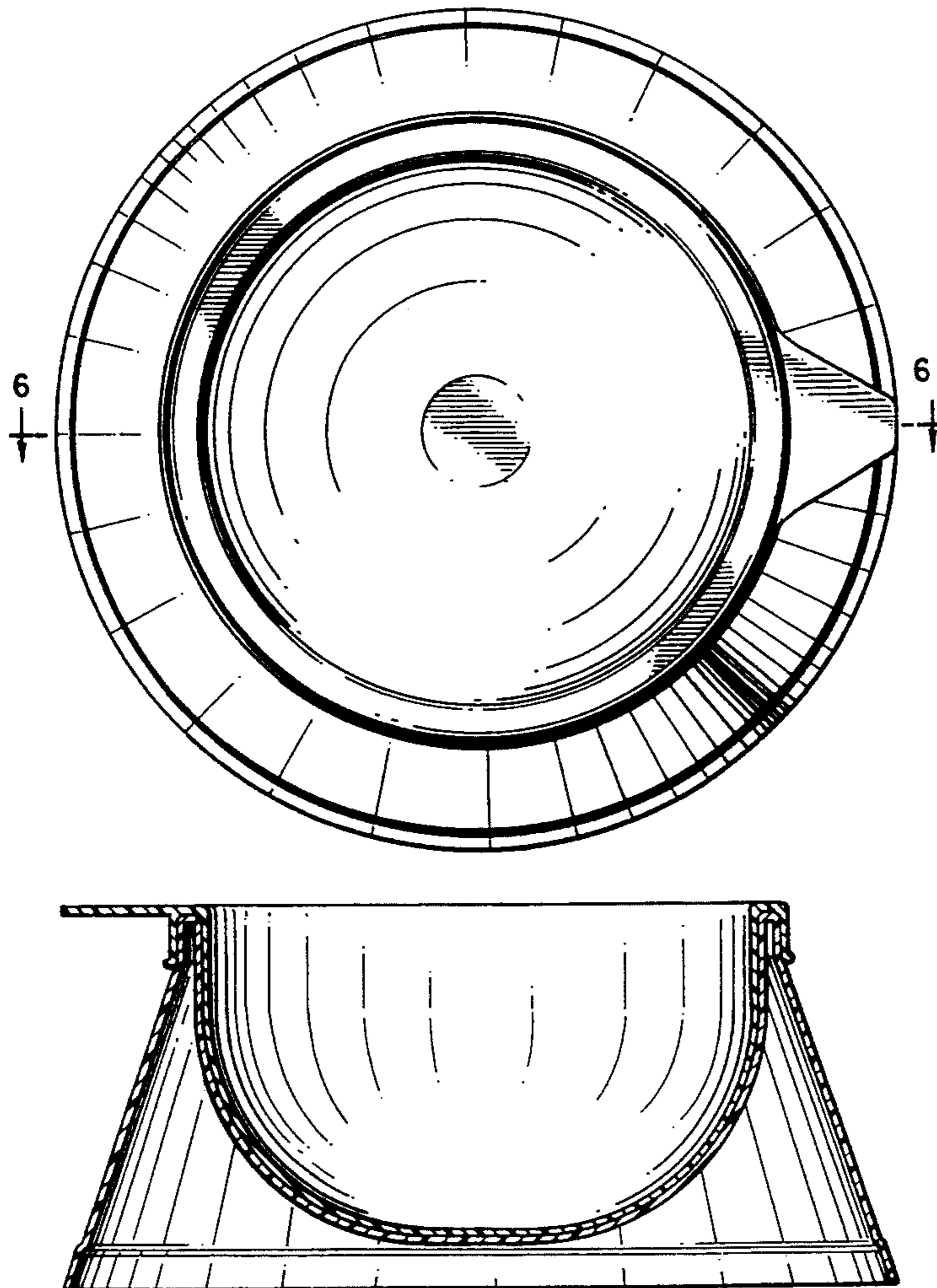
### References Cited

#### U.S. PATENT DOCUMENTS

D. 287,404 12/1986 Johansson et al. .... D30/129  
D. 329,681 9/1992 Demarest et al. .... D30/129  
D. 330,785 11/1992 Jordan ..... D30/129  
D. 340,761 10/1993 Long ..... D30/129  
3,527,192 9/1970 Ferrara ..... 119/61

### DESCRIPTION

FIG. 1 is a front elevational view of a lined pet food dish, the rear elevational view, not shown, being a mirror image thereof;  
FIG. 2 is a top plan view thereof;  
FIG. 3 is a left side elevational view thereof;  
FIG. 4 is a right side elevational view thereof;  
FIG. 5 is a bottom view plan thereof; and,  
FIG. 6 is a cross-sectional view taken along line 6—6 of FIG. 2.



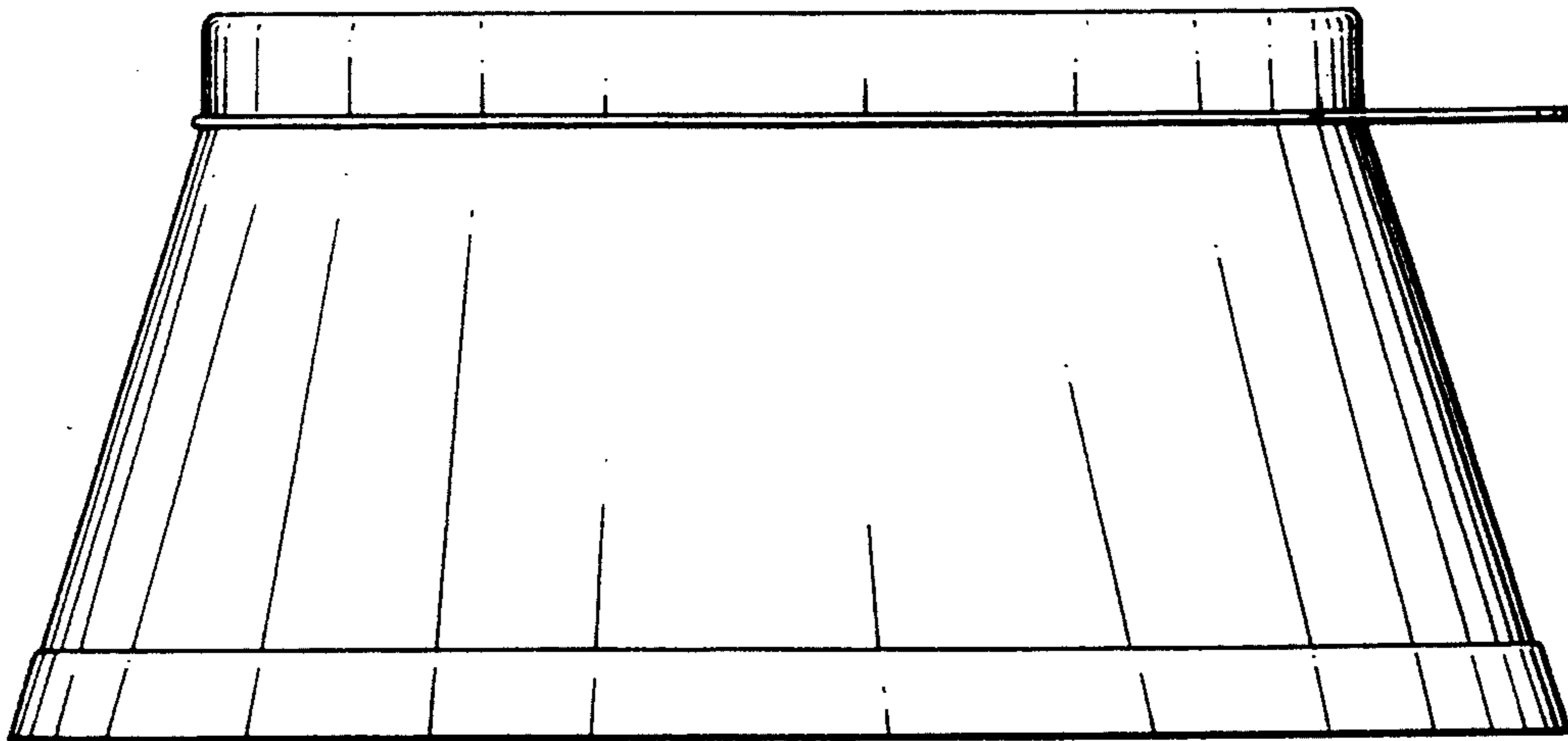


FIG. 1

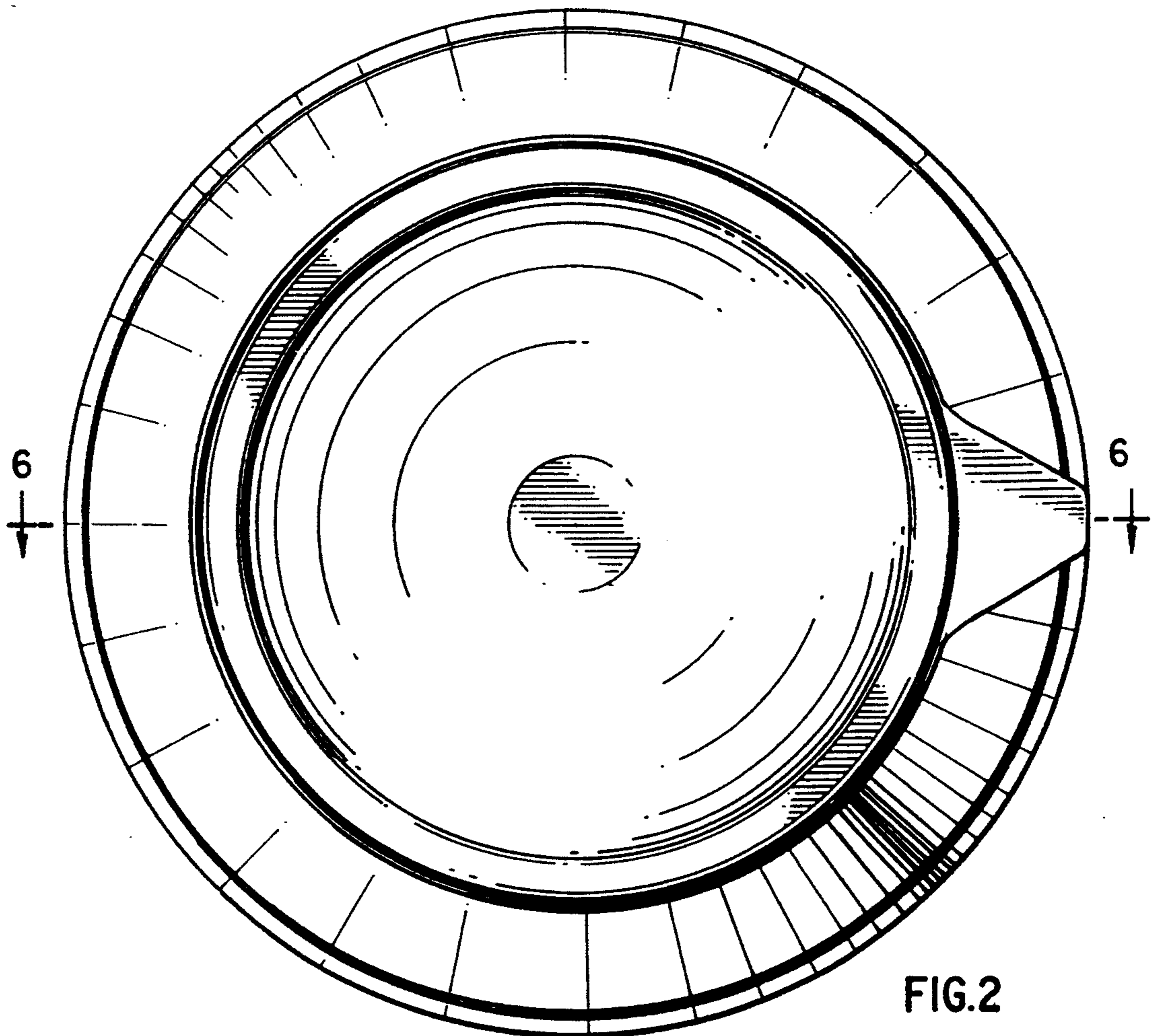


FIG. 2

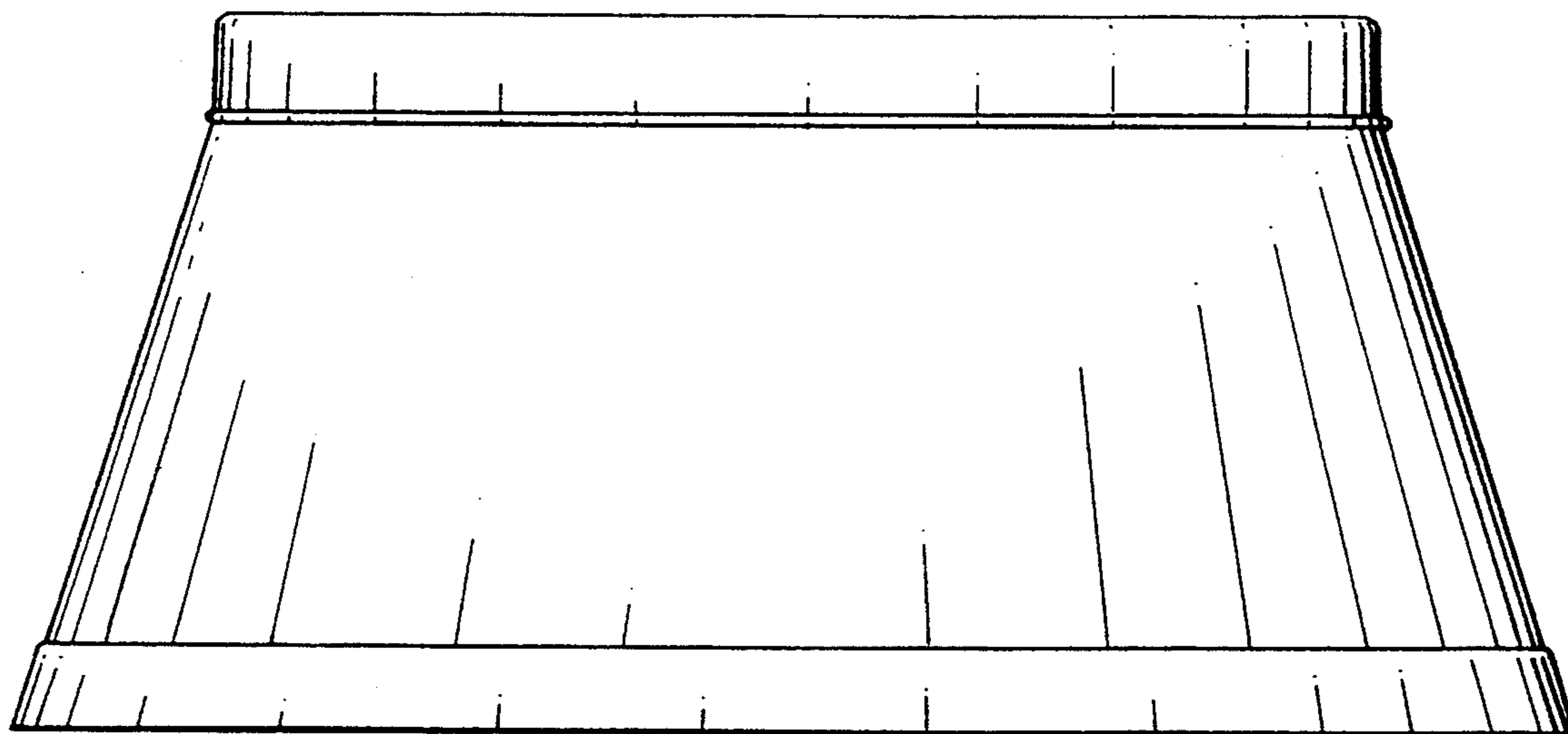


FIG. 3

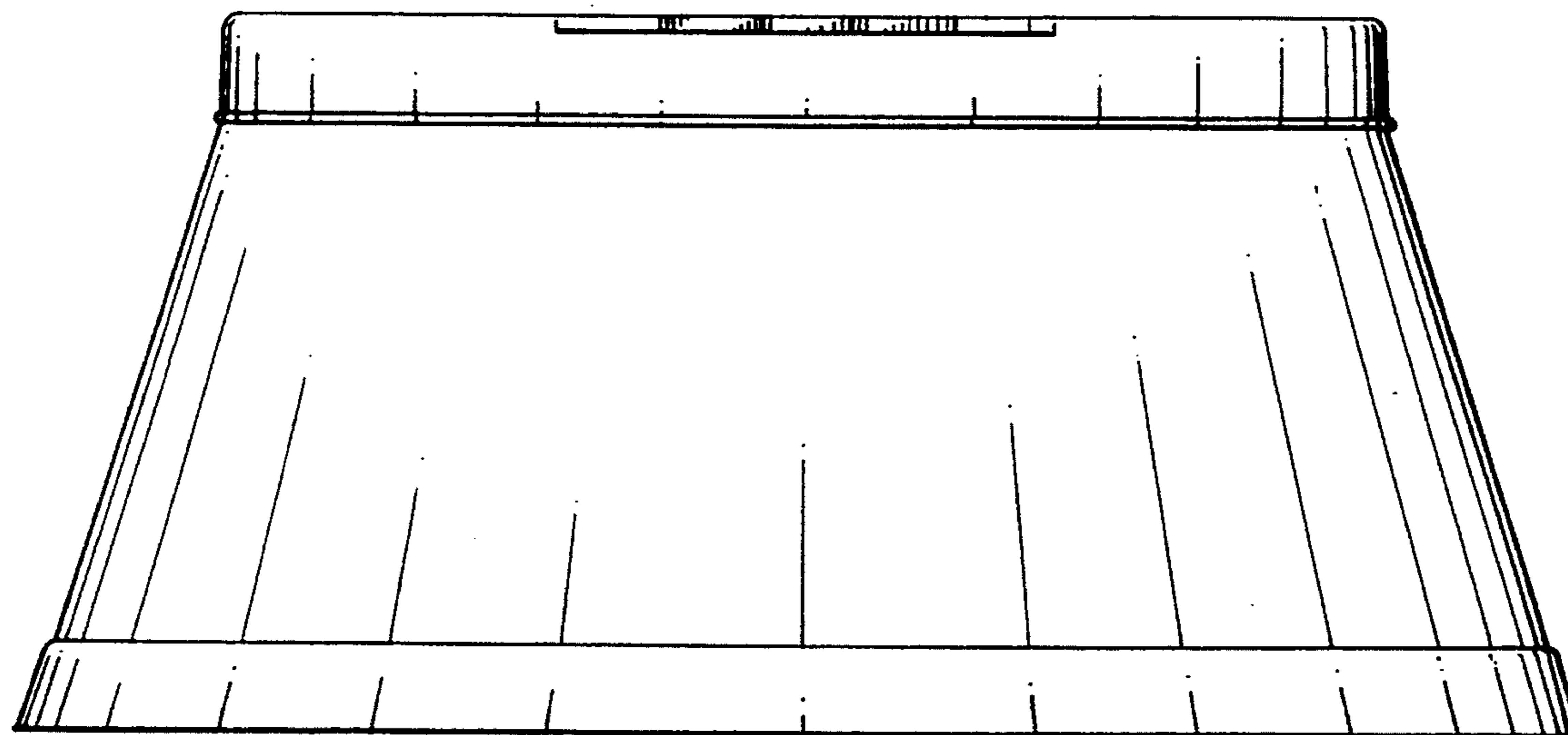


FIG. 4

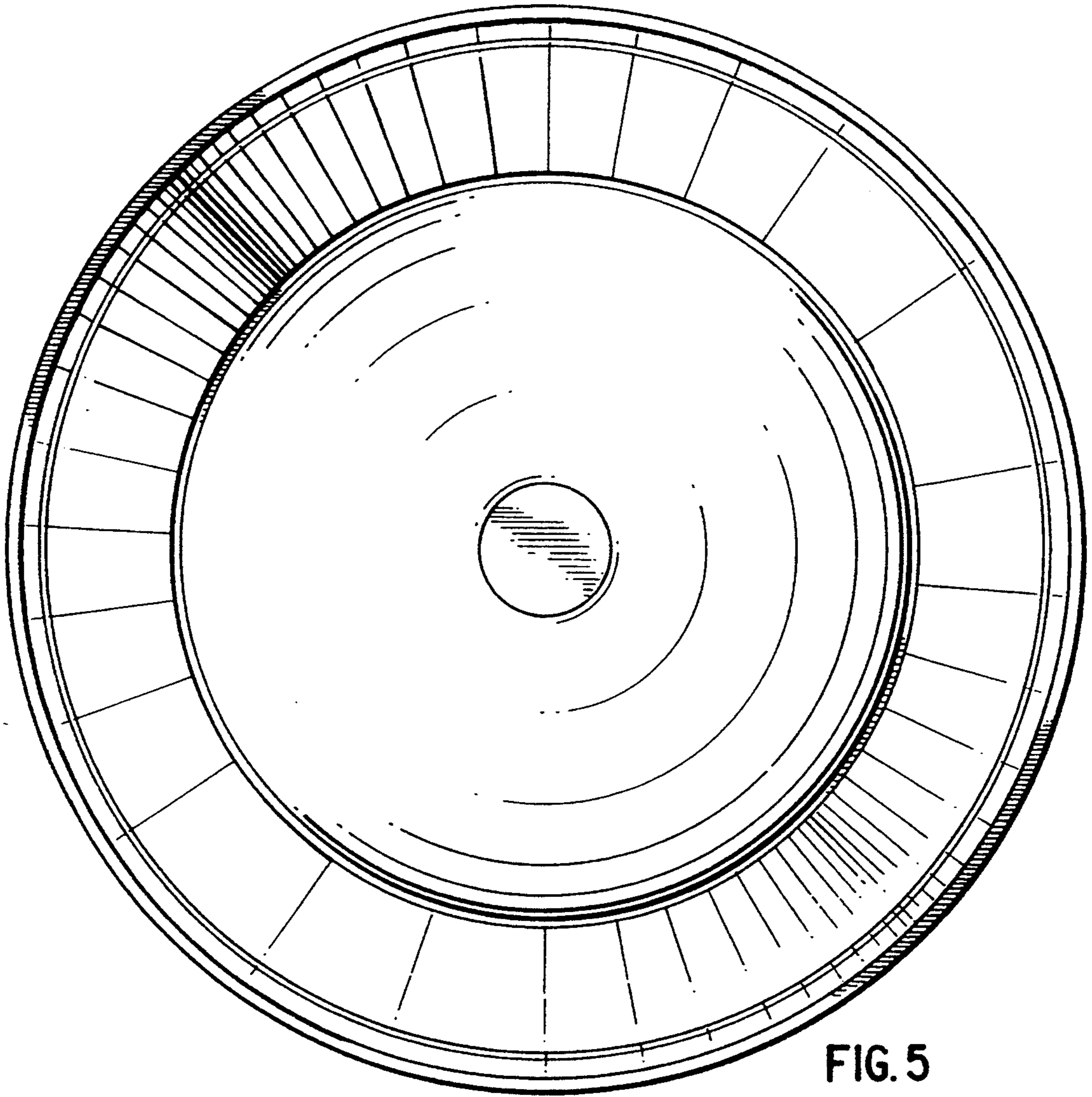


FIG. 5

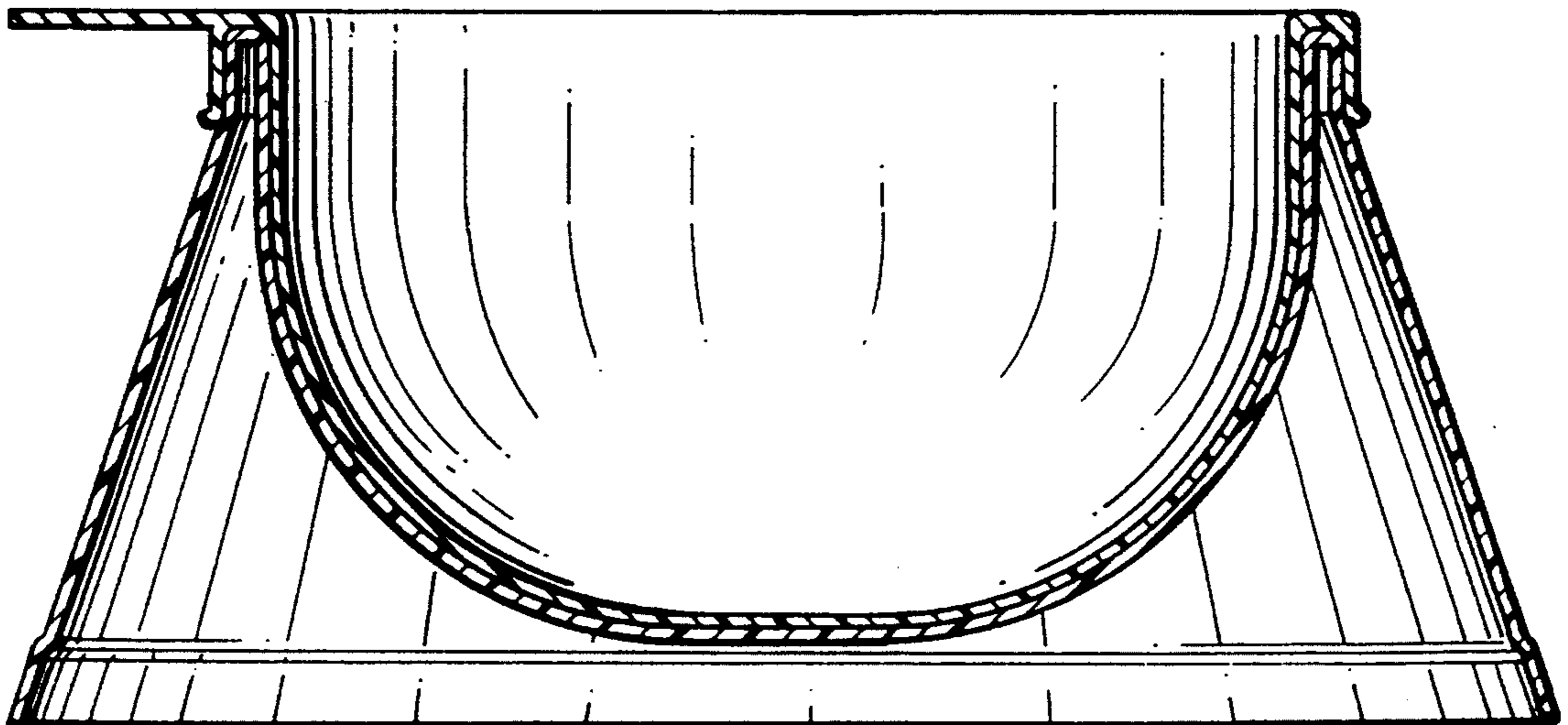


FIG. 6