



US00D351260S

United States Patent [19]

[11] Patent Number: **Des. 351,260**

Taylor et al.

[45] Date of Patent: **** Oct. 4, 1994**

[54] **FARROWING CRATE**

[75] Inventors: **Ian A. Taylor; Thomas E. Hummel,**
both of Quincy, Ill.

[73] Assignee: **Quincy Design & Manufacturing,**
Inc., Quincy, Ill.

[**] Term: **14 Years**

[21] Appl. No.: **9,250**

[22] Filed: **Jun. 8, 1993**

[52] U.S. Cl. **D30/119**

[58] Field of Search 119/17, 20, 841;
D30/119

484244 6/1952 Canada D30/30 108
2622789 5/1976 Denmark 119/20
1180993 11/1964 Fed. Rep. of Germany 119/20
2026832 2/1980 United Kingdom 119/20
2131665 6/1984 United Kingdom 119/20

Primary Examiner—Cathy Anne MacCormac
Attorney, Agent, or Firm—Lockwood, Alex, FitzGibbon
& Cummings

[57] CLAIM

The new and ornamental design for a farrowing crate, as shown and described.

DESCRIPTION

FIG. 1 is a top perspective view of the farrowing crate embodying the present invention in its closed condition; FIG. 2 is a top plan view; FIG. 3 is a side elevational view; FIG. 4 is an end view taken from the right end of FIG. 1; FIG. 5 is an end view taken from the left end of FIG. 1; FIG. 6 is a bottom plan view; FIG. 7 is a top perspective view of the embodiment of FIG. 1 in its expanded condition; and, FIG. 8 is a bottom plan view of FIG. 7. The broken lines are for illustrative purposes only and form no part of the claimed design.

[56] **References Cited**

U.S. PATENT DOCUMENTS

3,126,866	3/1964	Kubota	119/20
4,121,538	10/1978	Van Gilst et al.	119/20
4,348,987	9/1982	Herring	119/20
4,528,943	7/1985	Proctor	119/20
5,111,769	5/1992	Proctor	119/20
5,293,834	3/1994	Keuter	119/20

FOREIGN PATENT DOCUMENTS

212175	1/1958	Australia	D30/20
--------	--------	-----------	--------

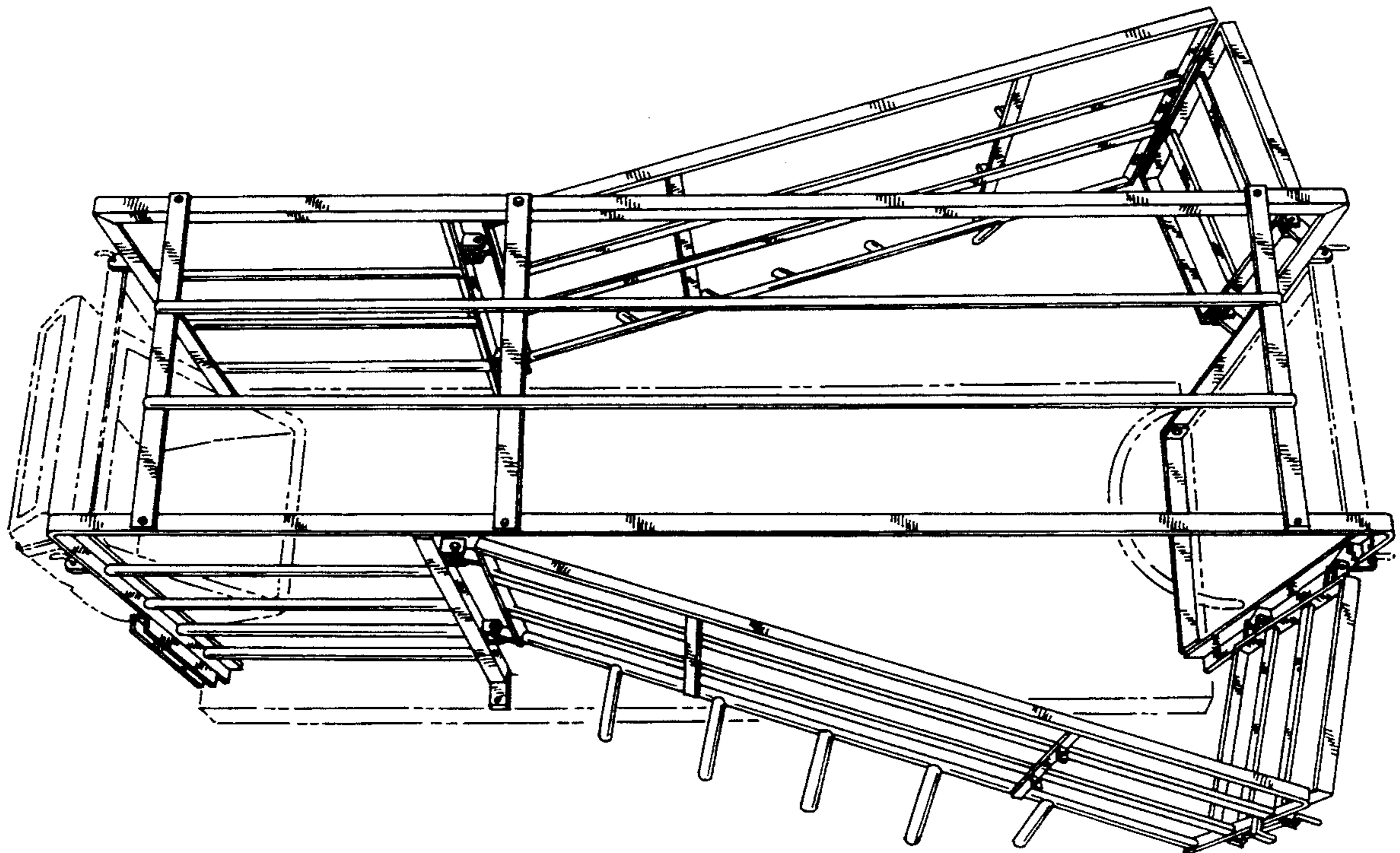


FIG. 1

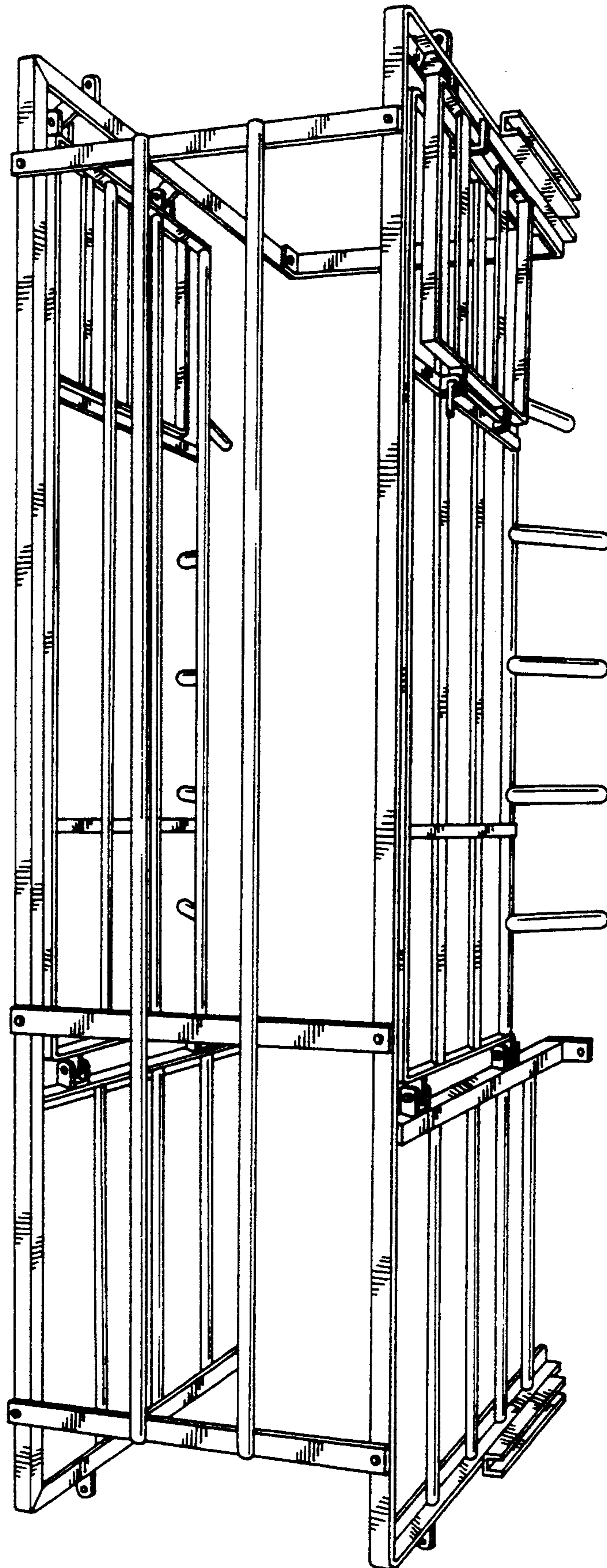


FIG. 2

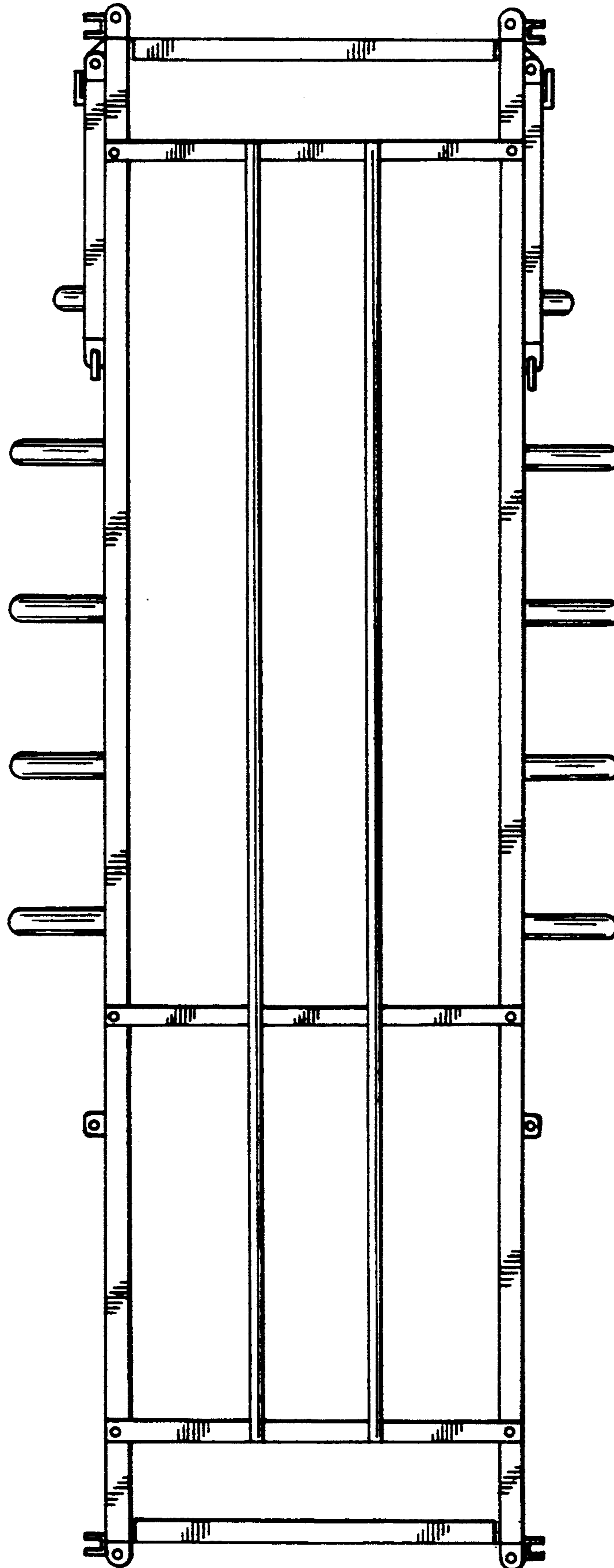


FIG. 3

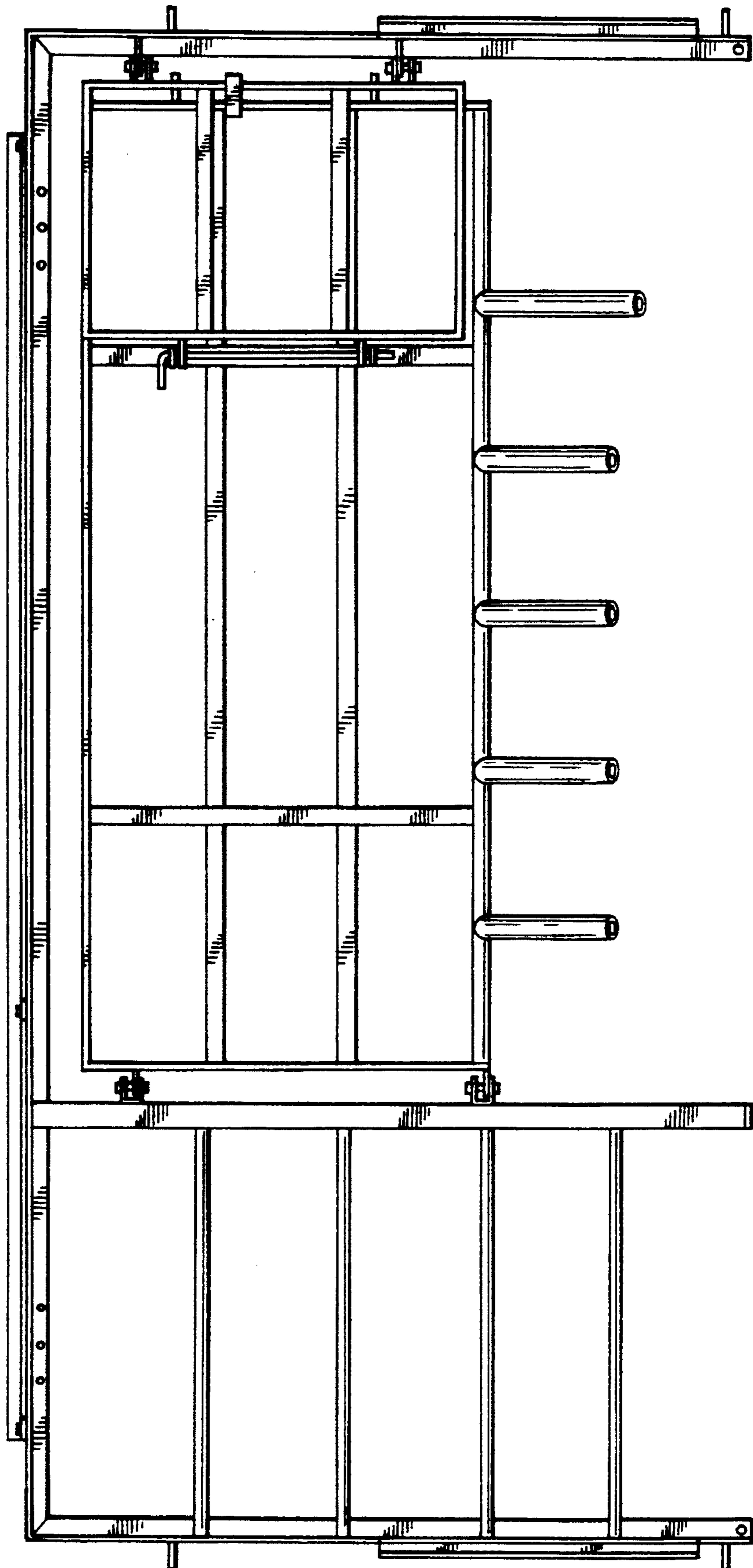


FIG. 5

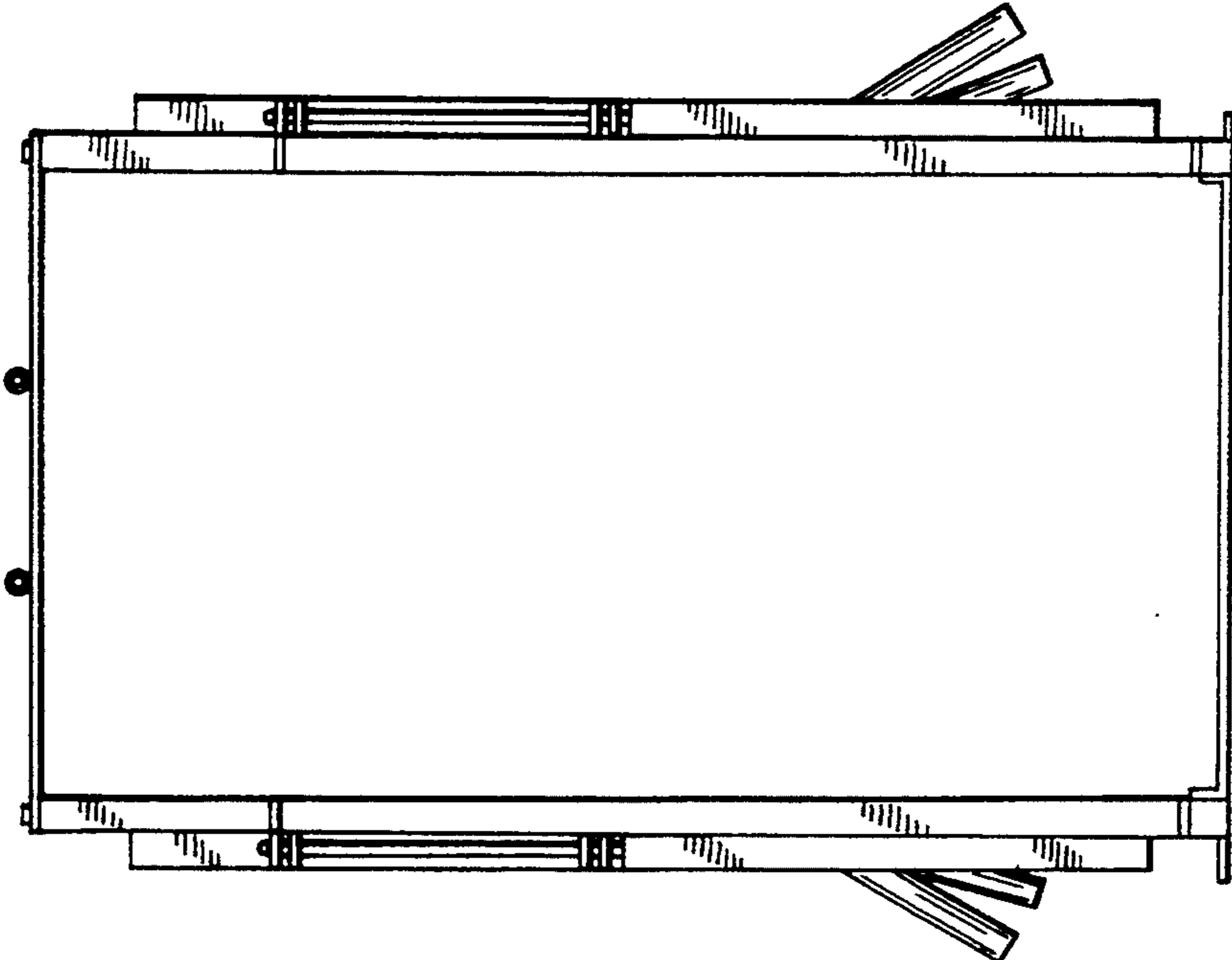


FIG. 4

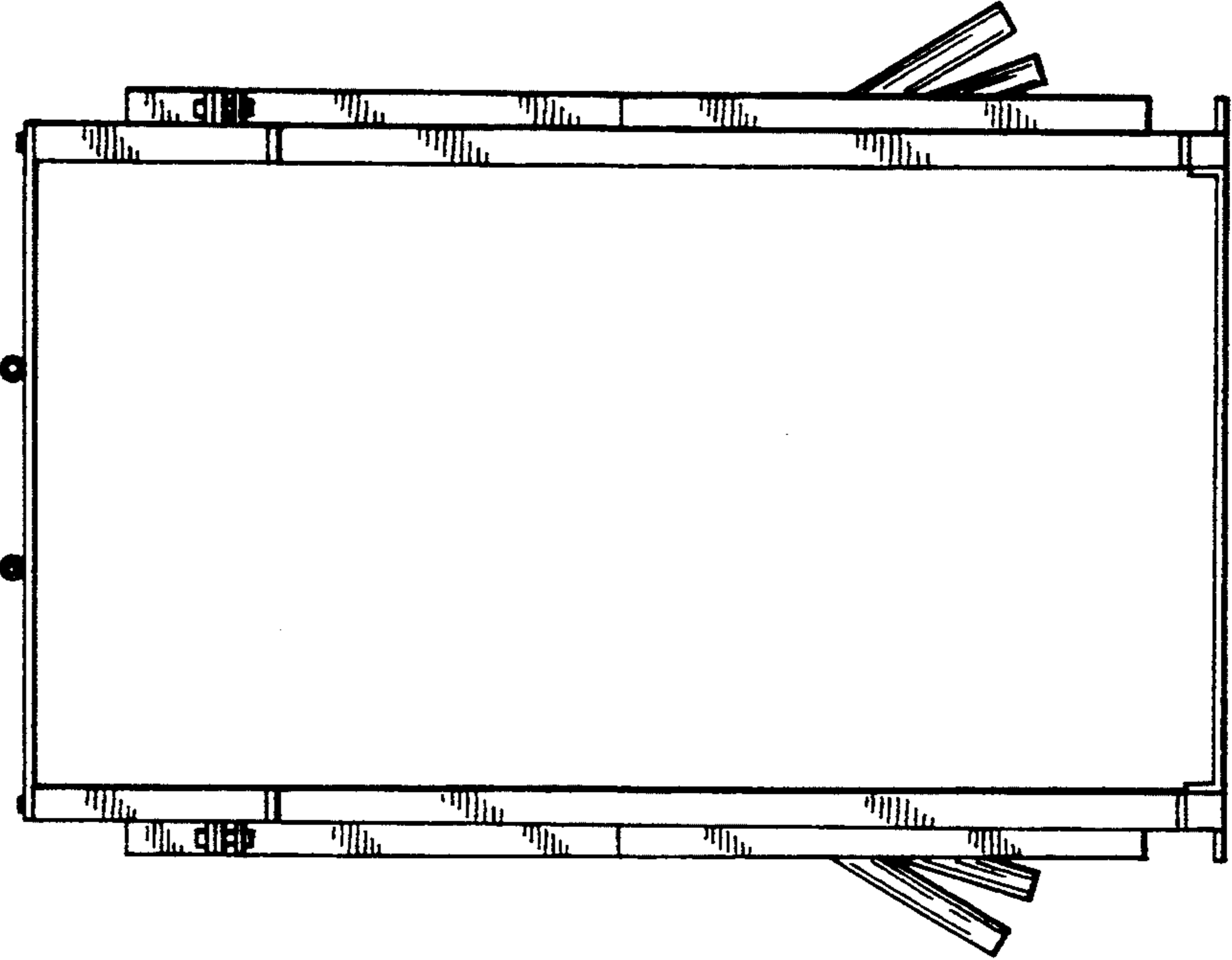
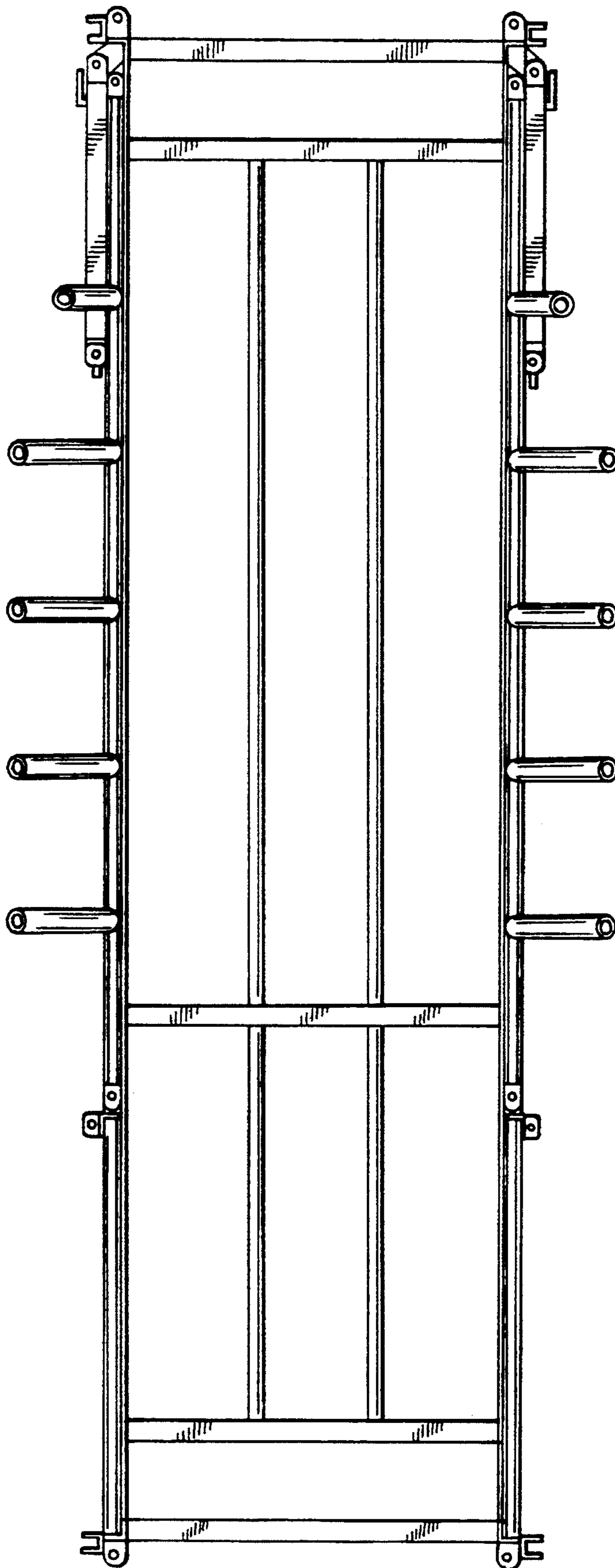


FIG. 6



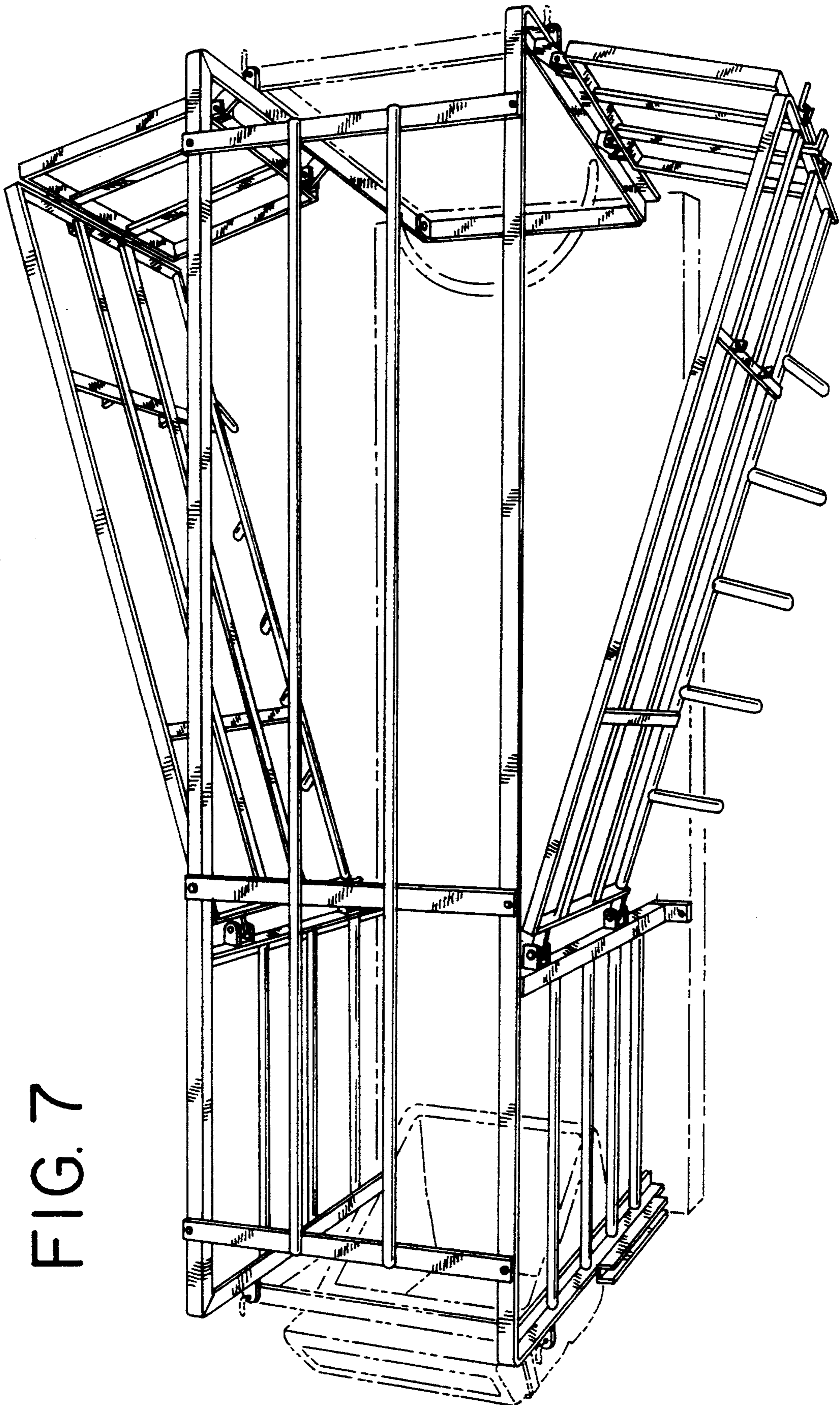


FIG. 7

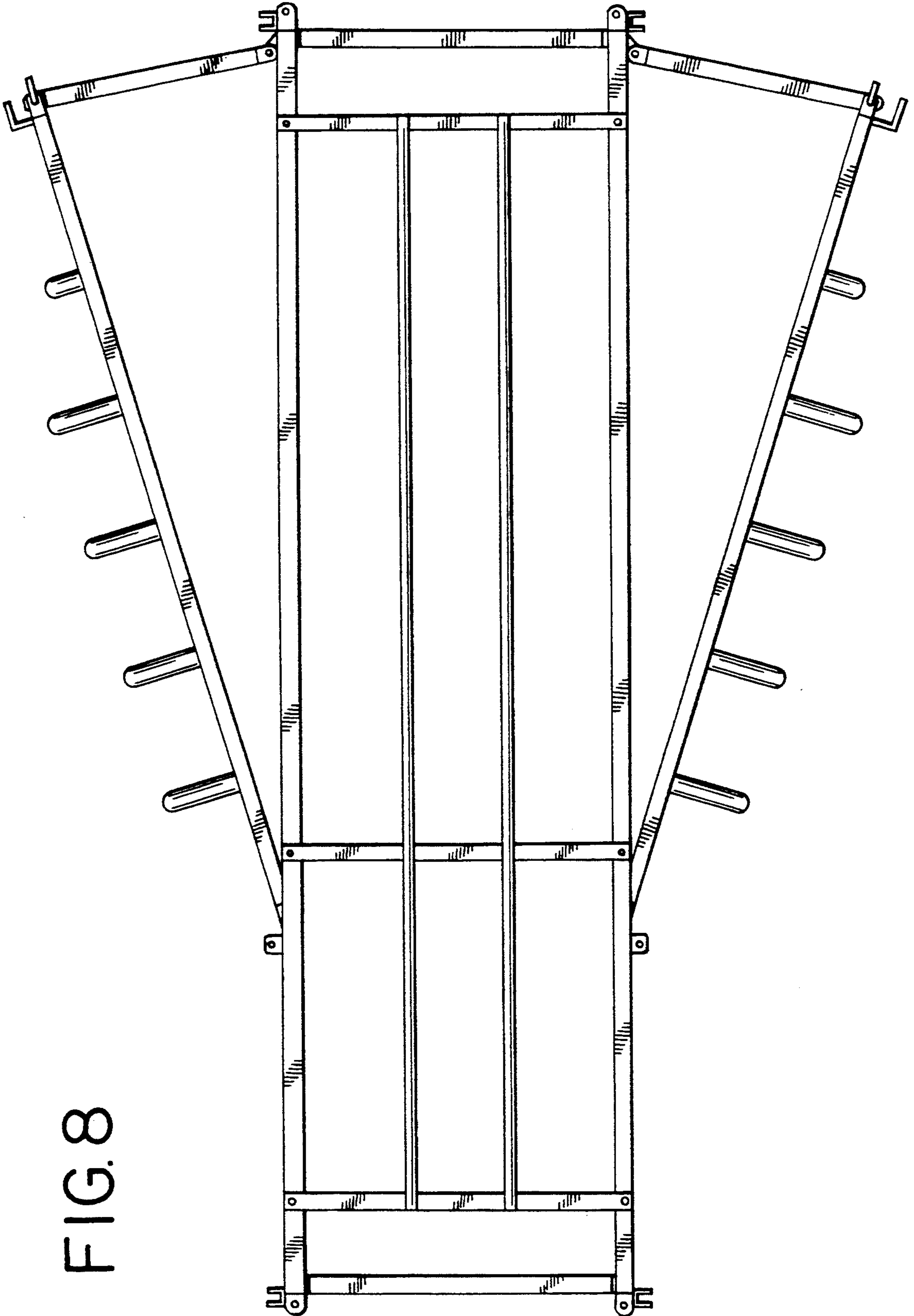


FIG. 8