



US00D351256S

United States Patent [19]

[11] Patent Number: **Des. 351,256**

Gallet

[45] Date of Patent: **** Oct. 4, 1994**

[54] **HELMET**

D. 323,042	1/1992	Gallet	D29/17
D. 323,225	1/1992	Gallet	D29/17
D. 331,645	12/1992	Gallet	D29/14

[75] Inventor: **Adrien Gallet**, Chatillon sur Chalaronne, France

Primary Examiner—Ruth McInroy
Attorney, Agent, or Firm—Young & Thompson

[73] Assignee: **Gallet S.A.**, Chatillon sur Chalaronne, France

[57] **CLAIM**

[**] Term: **14 Years**

The ornamental design for a helmet, as shown and described.

[21] Appl. No.: **870,718**

[22] Filed: **Apr. 17, 1992**

DESCRIPTION

[30] **Foreign Application Priority Data**

FIG. 1 is a front, top and side perspective view of a helmet showing my new design, with the visor raised; FIG. 2 is a front perspective view thereof; FIG. 3 is a side perspective view thereof from the left of FIG. 2; FIG. 4 is a side perspective view thereof from the right of FIG. 2; FIG. 5 is a rear perspective view thereof; FIG. 6 is a top perspective view thereof; FIG. 7 is a bottom perspective view thereof; and, FIG. 8 is a view similar to FIG. 1 but with the visor lowered.

Dec. 23, 1991 [WO] World Int. Prop. O. DM/021527

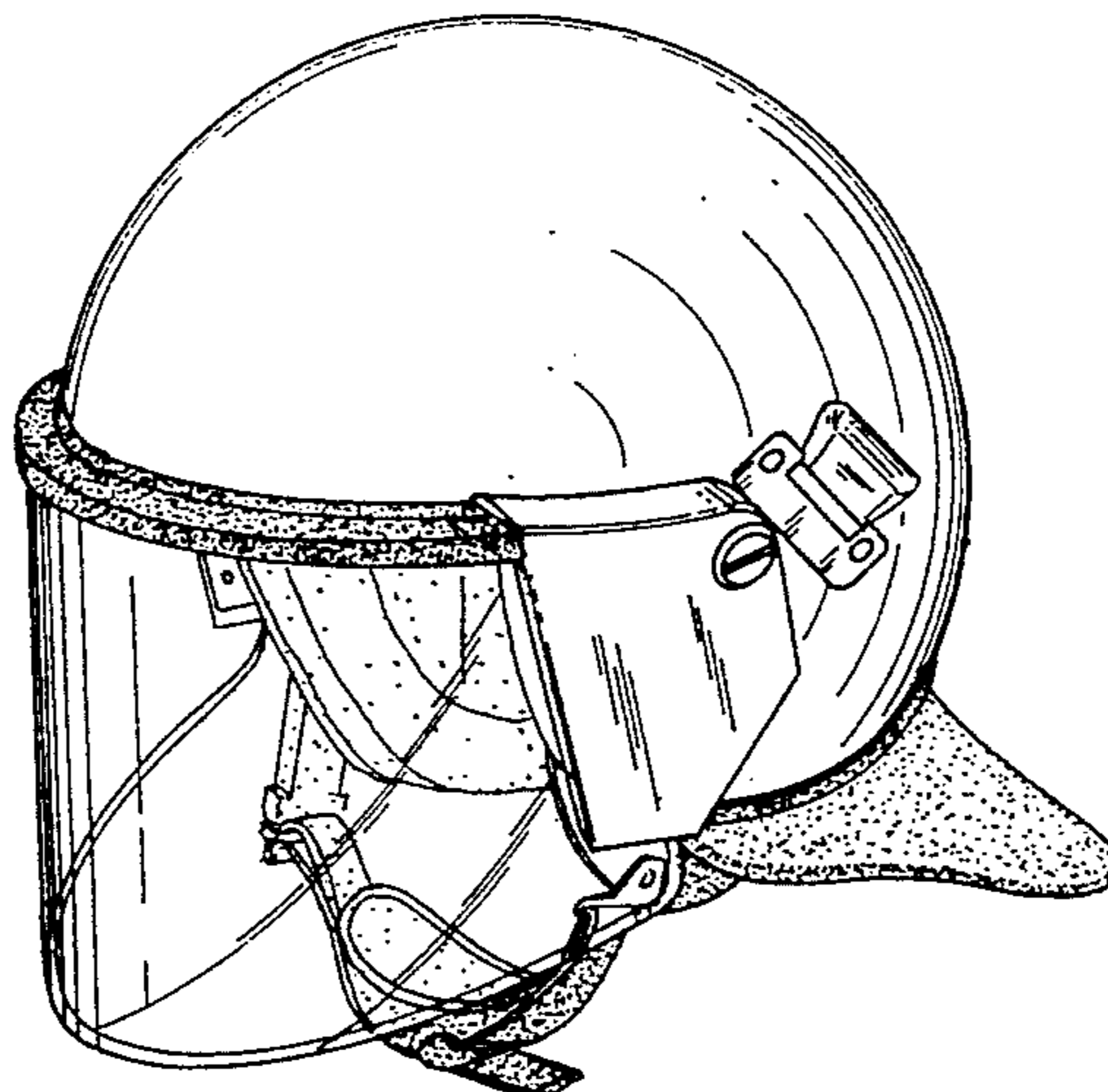
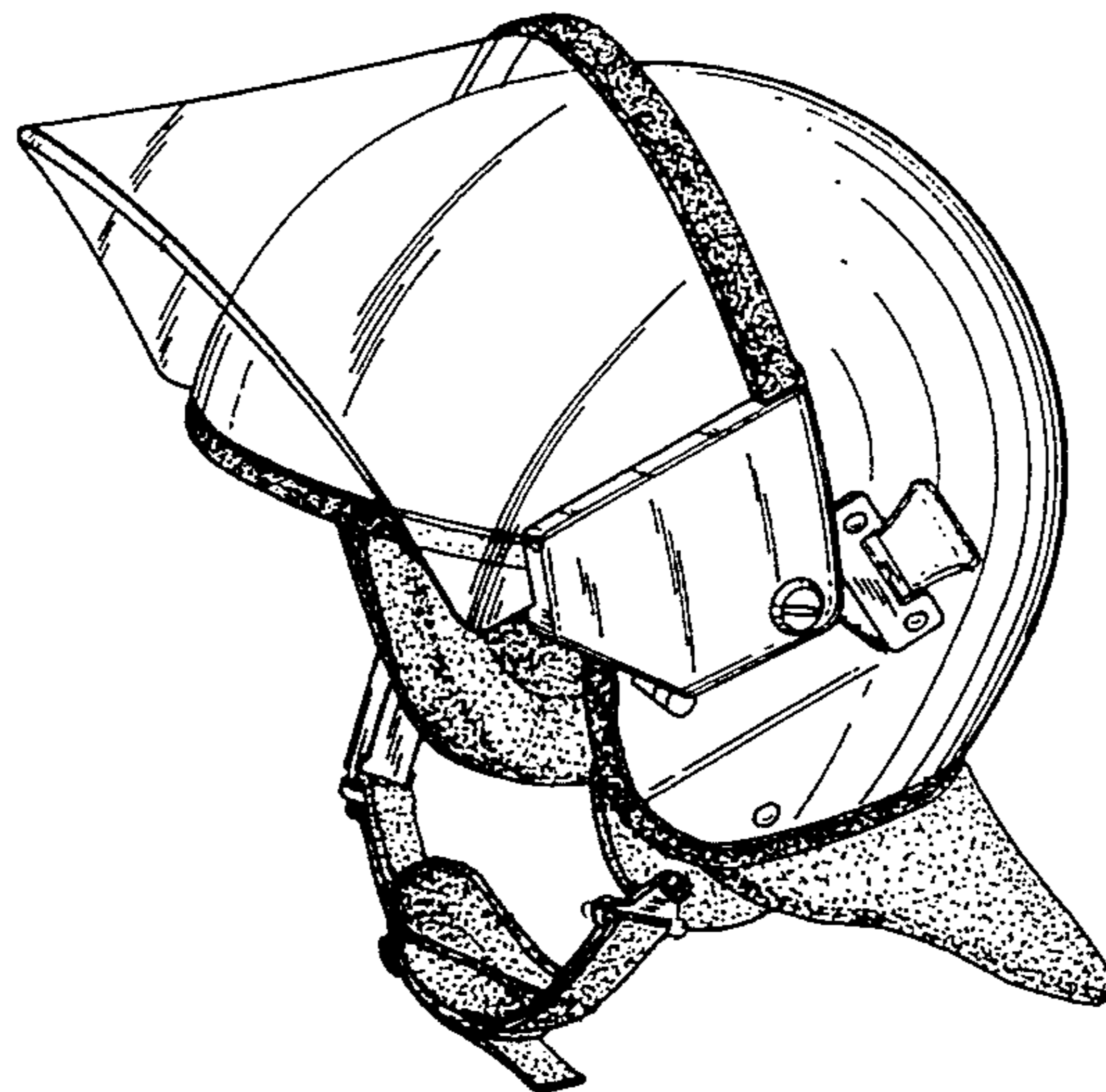
[52] U.S. Cl. **D29/105; D29/12**

[58] Field of Search 2/410-412, 2/414-418, 423-425, 5-8; D29/12-16

[56] **References Cited**

U.S. PATENT DOCUMENTS

D. 255,283	6/1980	Piche	D29/13
D. 285,741	9/1986	Gallet	D29/13
D. 311,792	10/1990	Gallet	D29/14



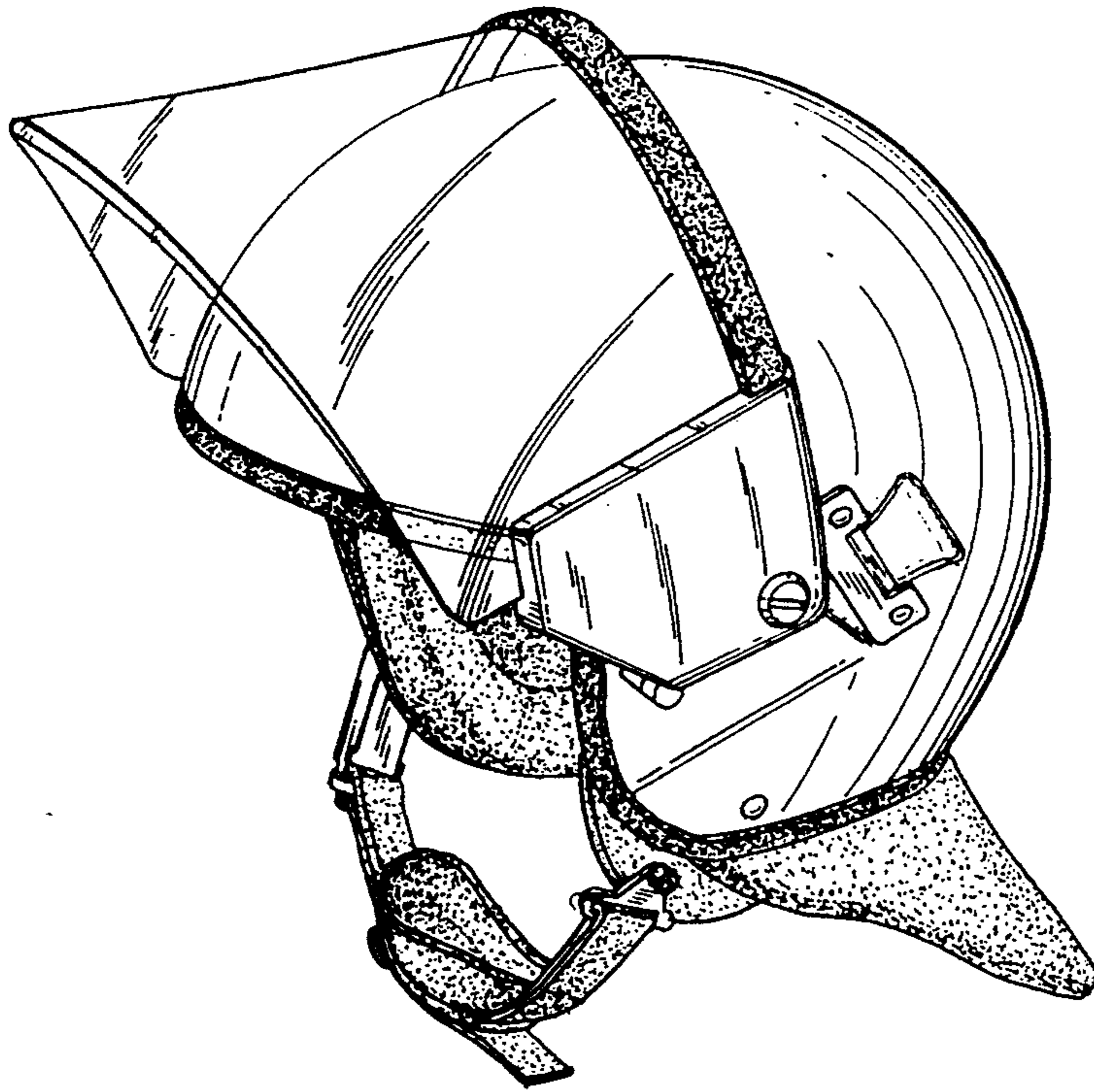


FIG. 1

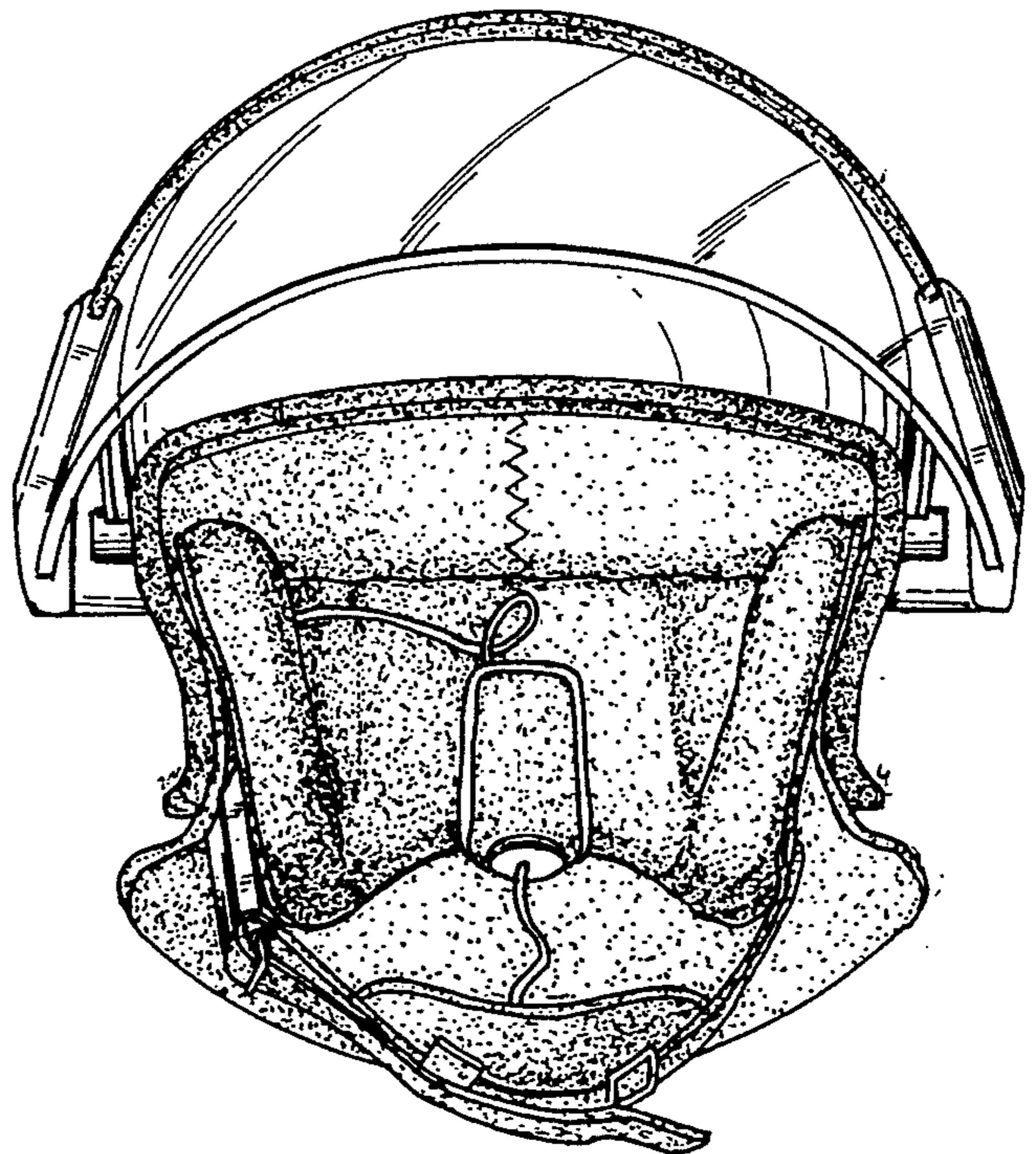


FIG. 2

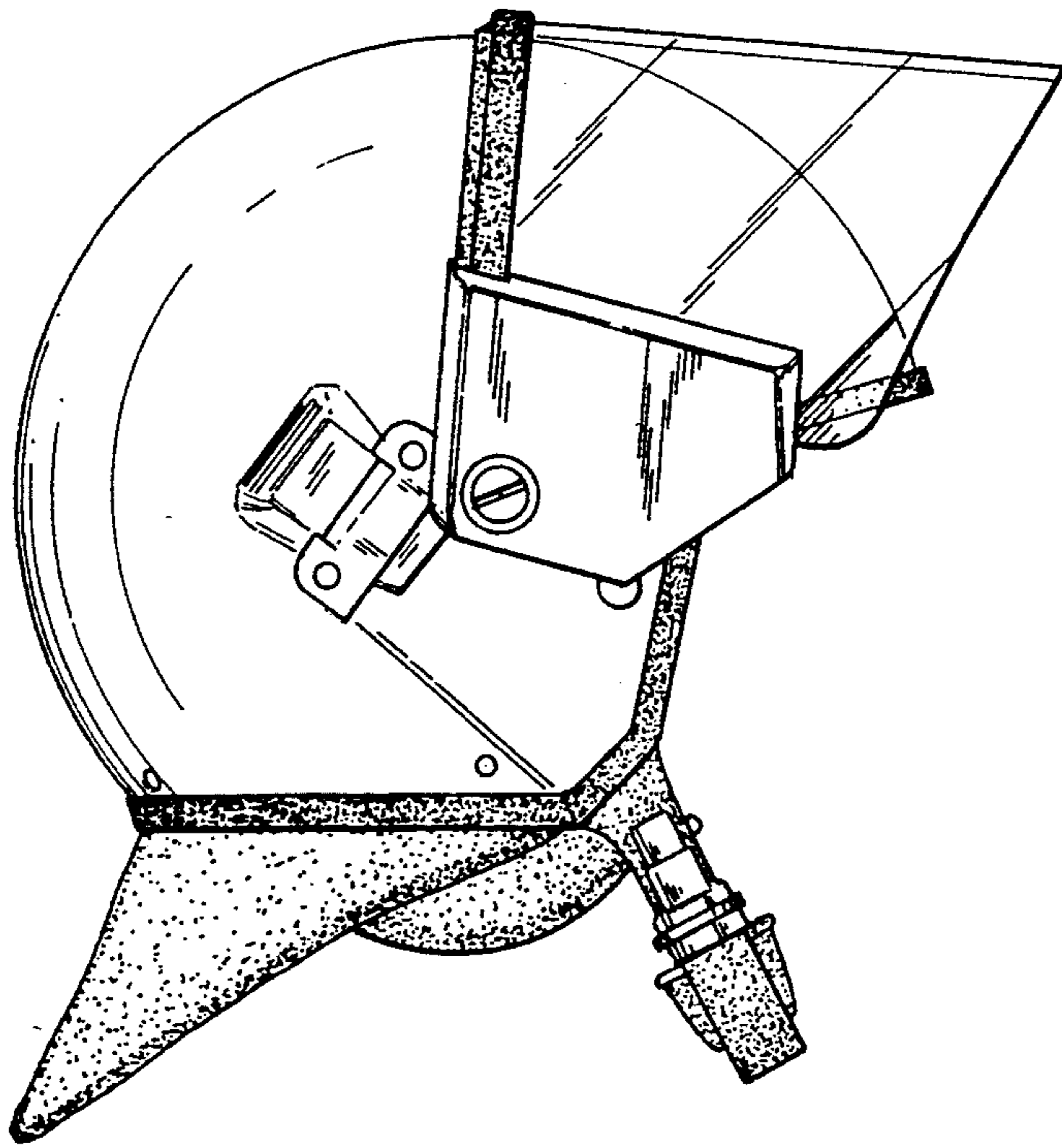


FIG. 3

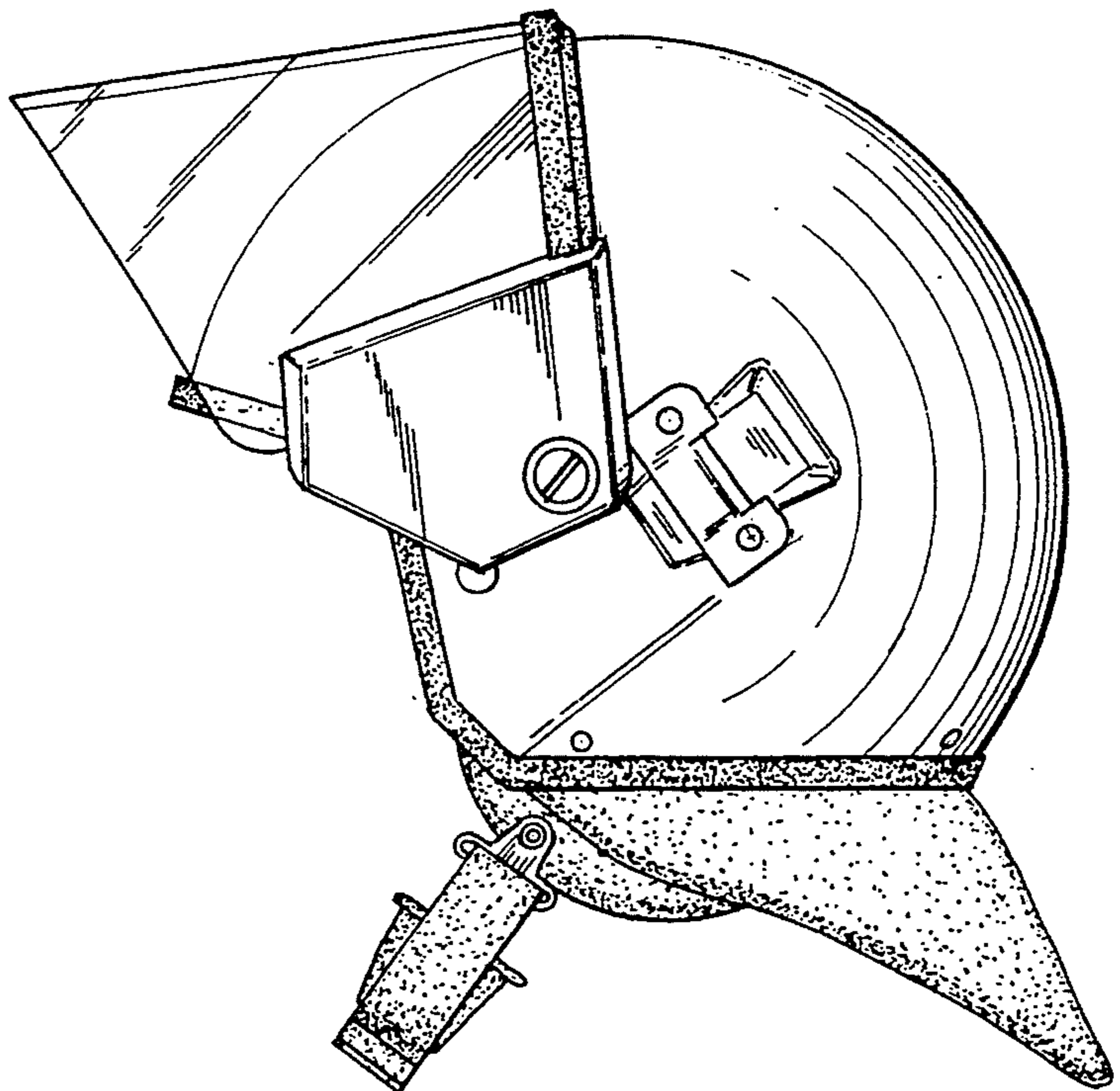


FIG. 4

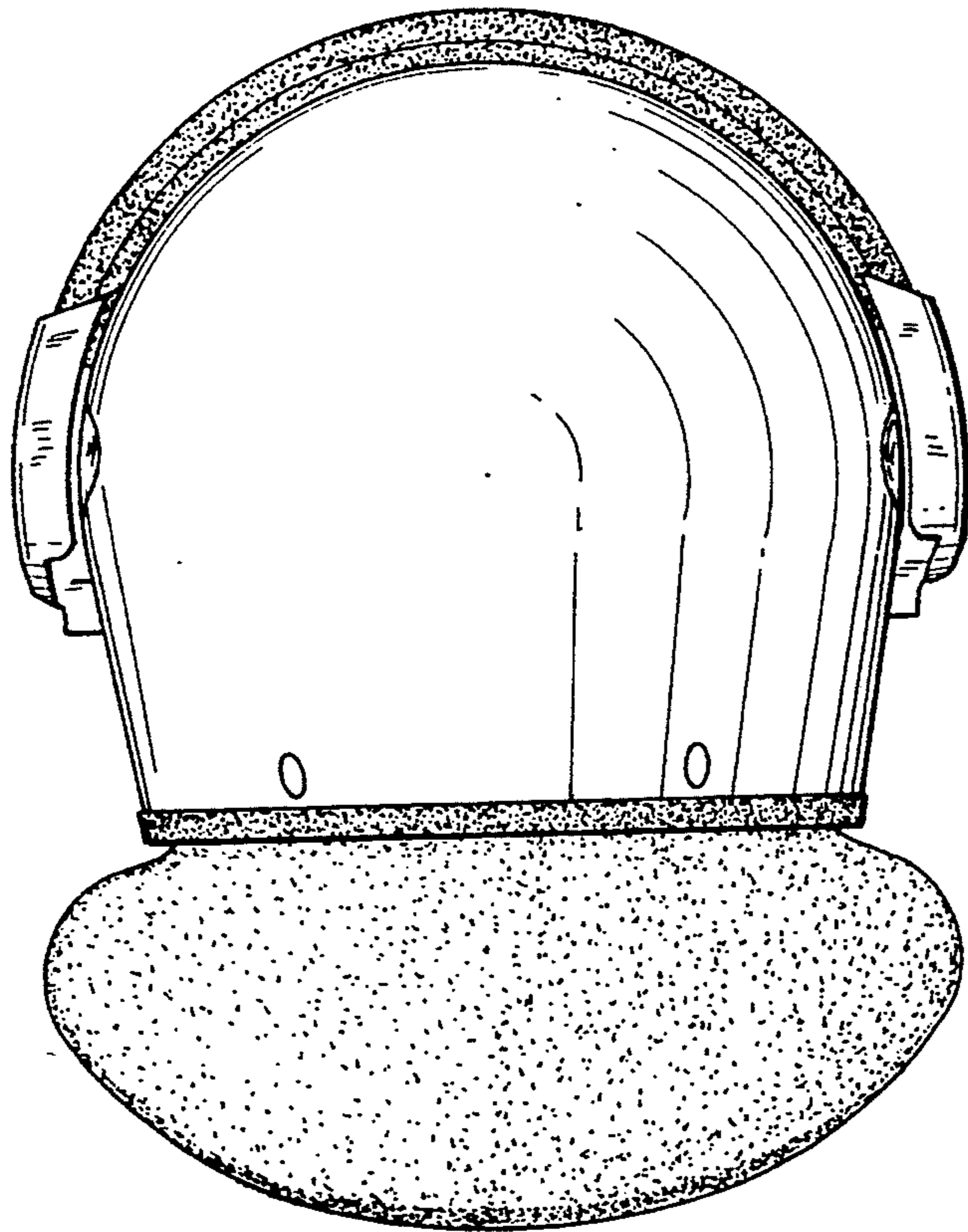


FIG. 5

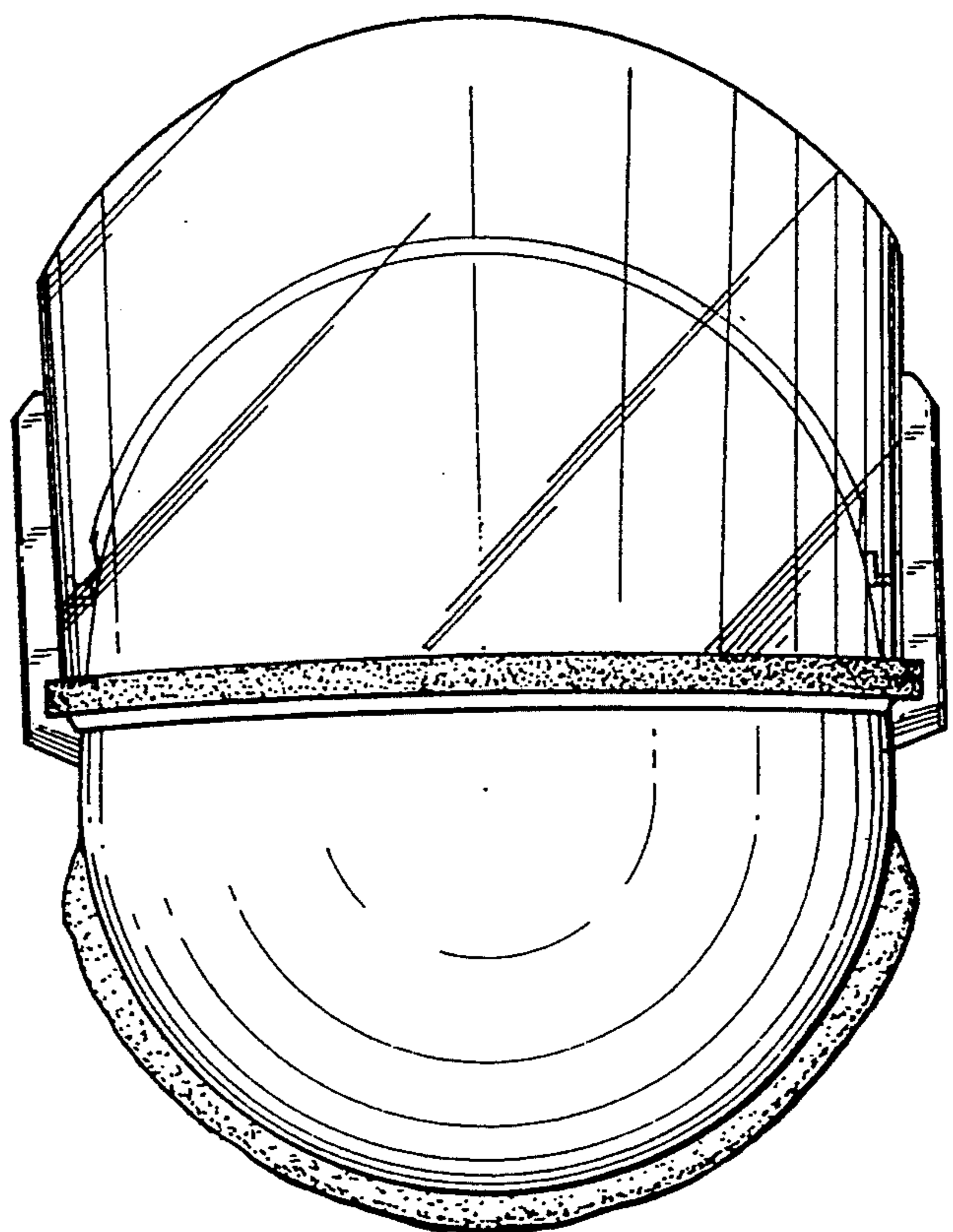


FIG. 6

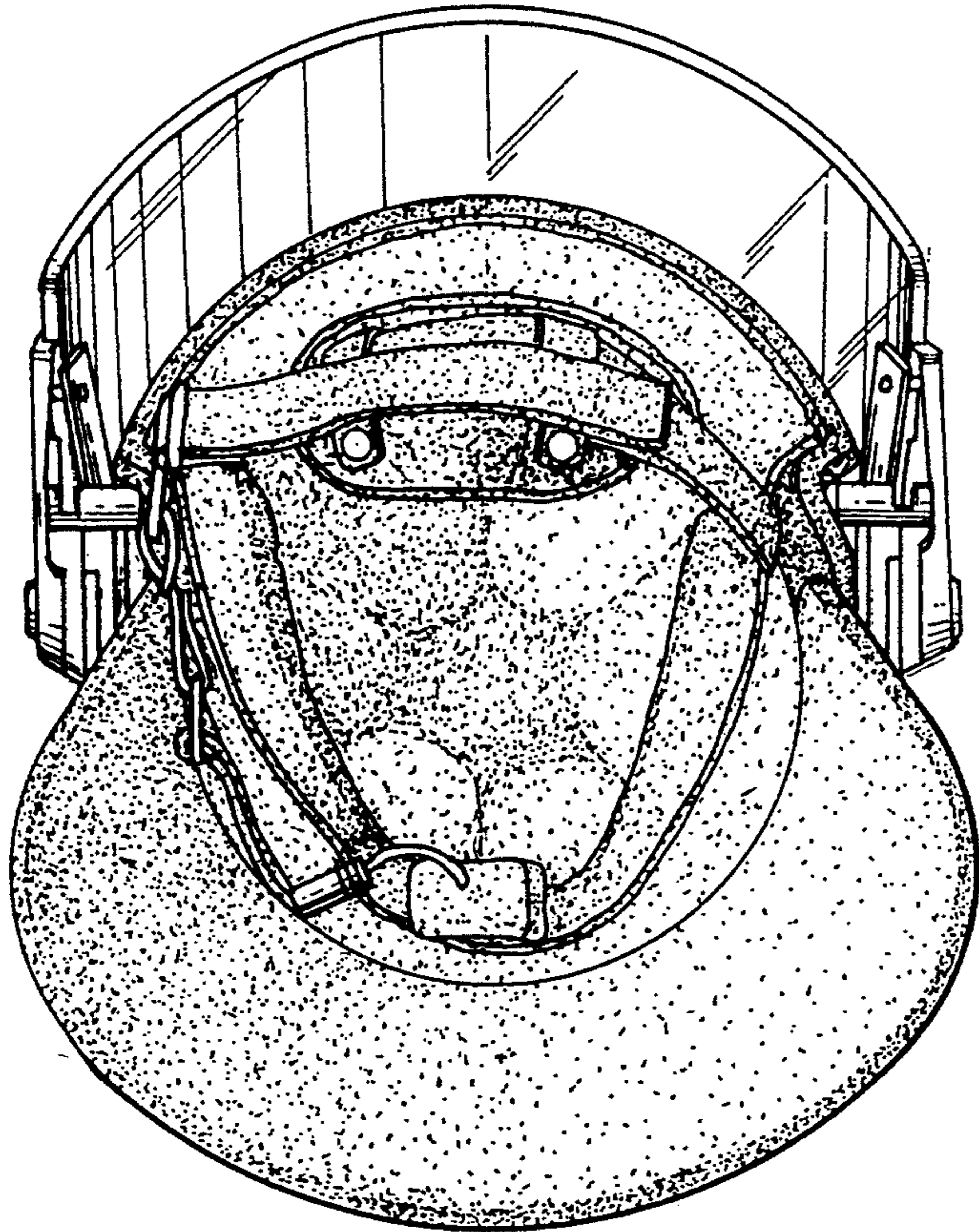


FIG. 7

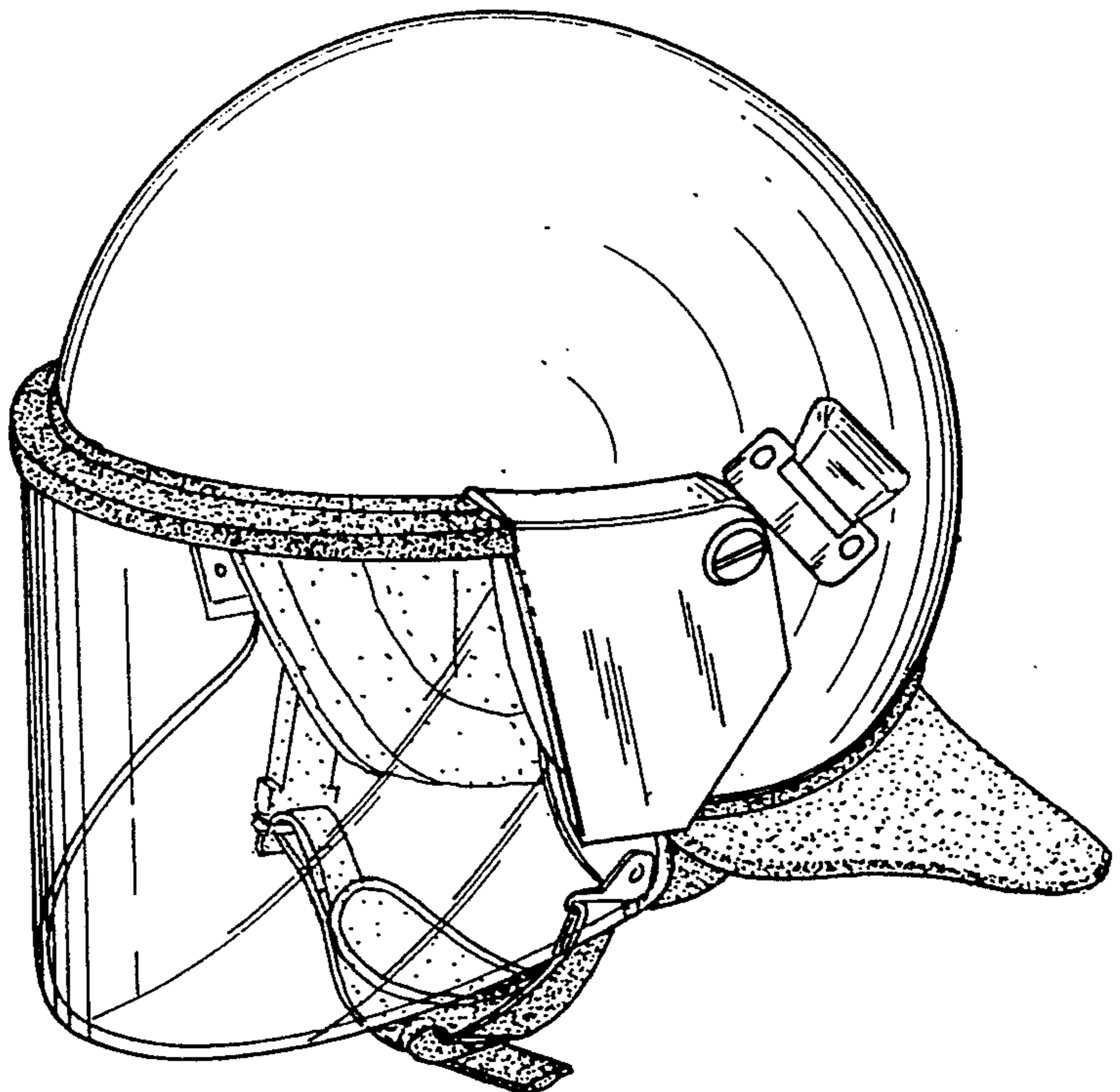


FIG. 8