



US00D351253S

United States Patent [19]

[11] Patent Number: **Des. 351,253**

Baig et al.

[45] Date of Patent: **** Oct. 4, 1994**

[54] **WATER PIPE**

[76] Inventors: **Mirza H. A. Baig; Mukarram M. Baig**, both of 2305 Kaywood La., Silver Spring, Md. 20904

[**] Term: **14 Years**

[21] Appl. No.: **16,123**

[22] Filed: **Dec. 8, 1993**

[52] U.S. Cl. **D27/162**

[58] Field of Search 131/173, 179, 192;
D27/162

[56] **References Cited**

U.S. PATENT DOCUMENTS

- 77,096 4/1868 Robbins .
- 110,594 12/1870 Selfe .
- 183,626 10/1876 Bingham .
- 2,805,670 9/1957 Wang .
- 3,250,280 5/1966 Hu .
- 3,703,179 11/1972 Nubla .
- 4,648,410 3/1987 Seroussi 131/173

OTHER PUBLICATIONS

Odyessy Glass Catalog, 1978, no page number, water pipe, item WC-3 at bottom of page.

Primary Examiner—Wallace R. Burke
Assistant Examiner—H. Baynham
Attorney, Agent, or Firm—Richard C. Litman

[57] **CLAIM**

The ornamental design for a water pipe, as shown and described.

DESCRIPTION

FIG. 1 is a perspective view of a water pipe showing my new design;
 FIG. 2 is a left elevational view with the right side being a mirror image thereof;
 FIG. 3 is a front elevational view thereof;
 FIG. 4 is a rear elevational view thereof;
 FIG. 5 is a top view thereof;
 FIG. 6 is a bottom view thereof;
 FIG. 7 is a perspective view of a second embodiment thereof;
 FIG. 8 is a left elevational view with the right side being a mirror image thereof;
 FIG. 9 is a front elevational view thereof;
 FIG. 10 is a rear elevational view thereof; and,
 FIG. 11 is a bottom view thereof.
 The top view of the second embodiment is identical to FIG. 5.



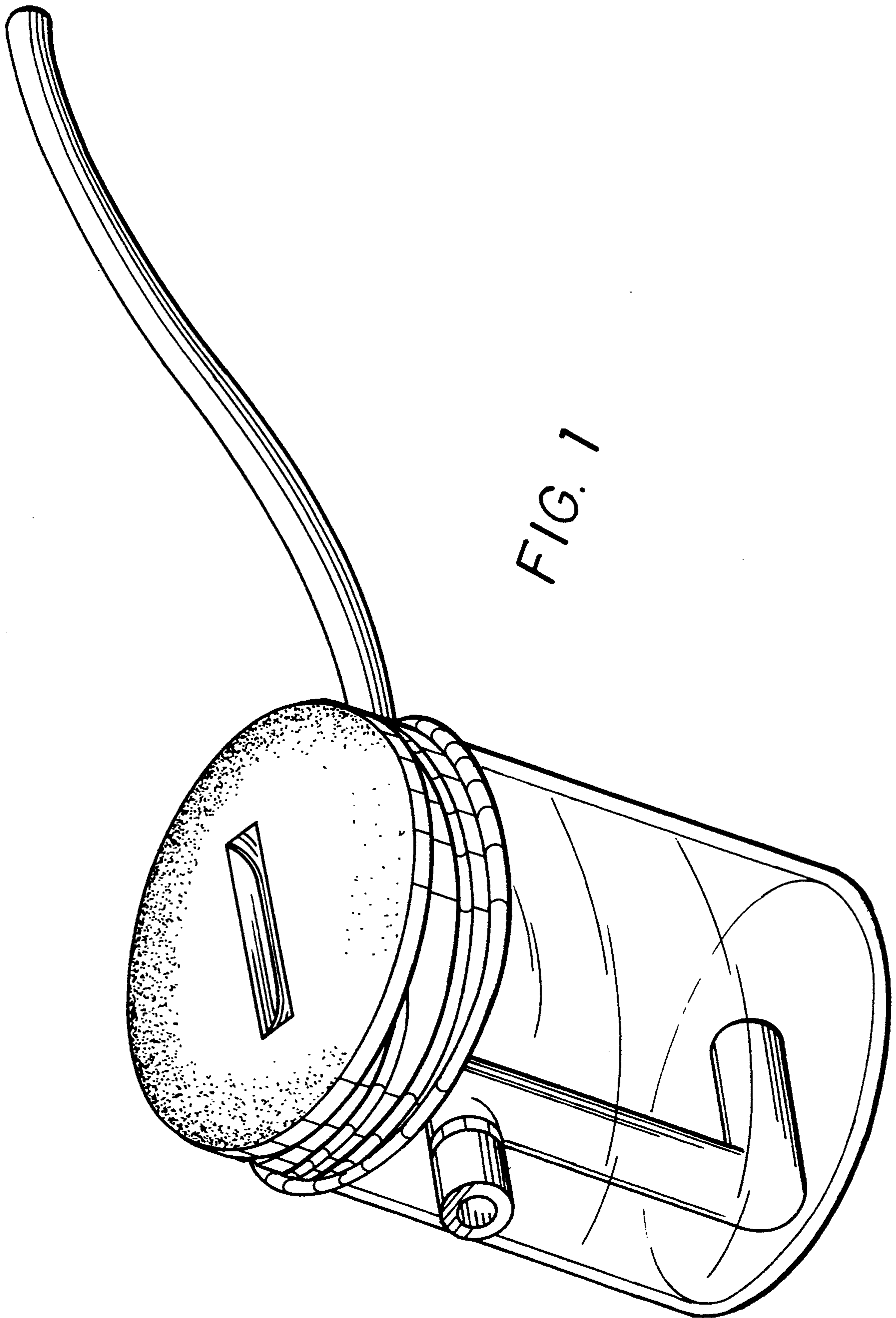


FIG. 1

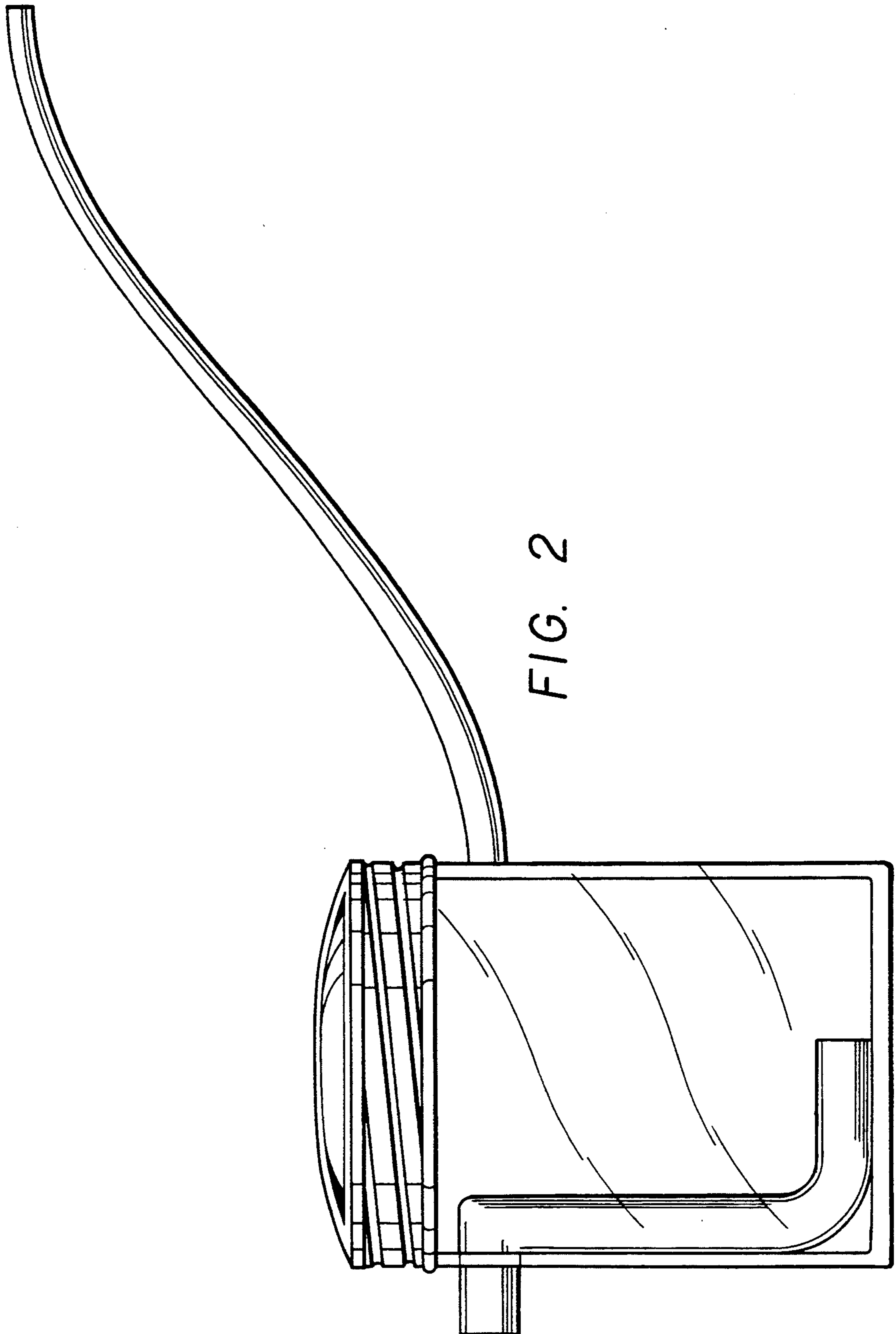


FIG. 2

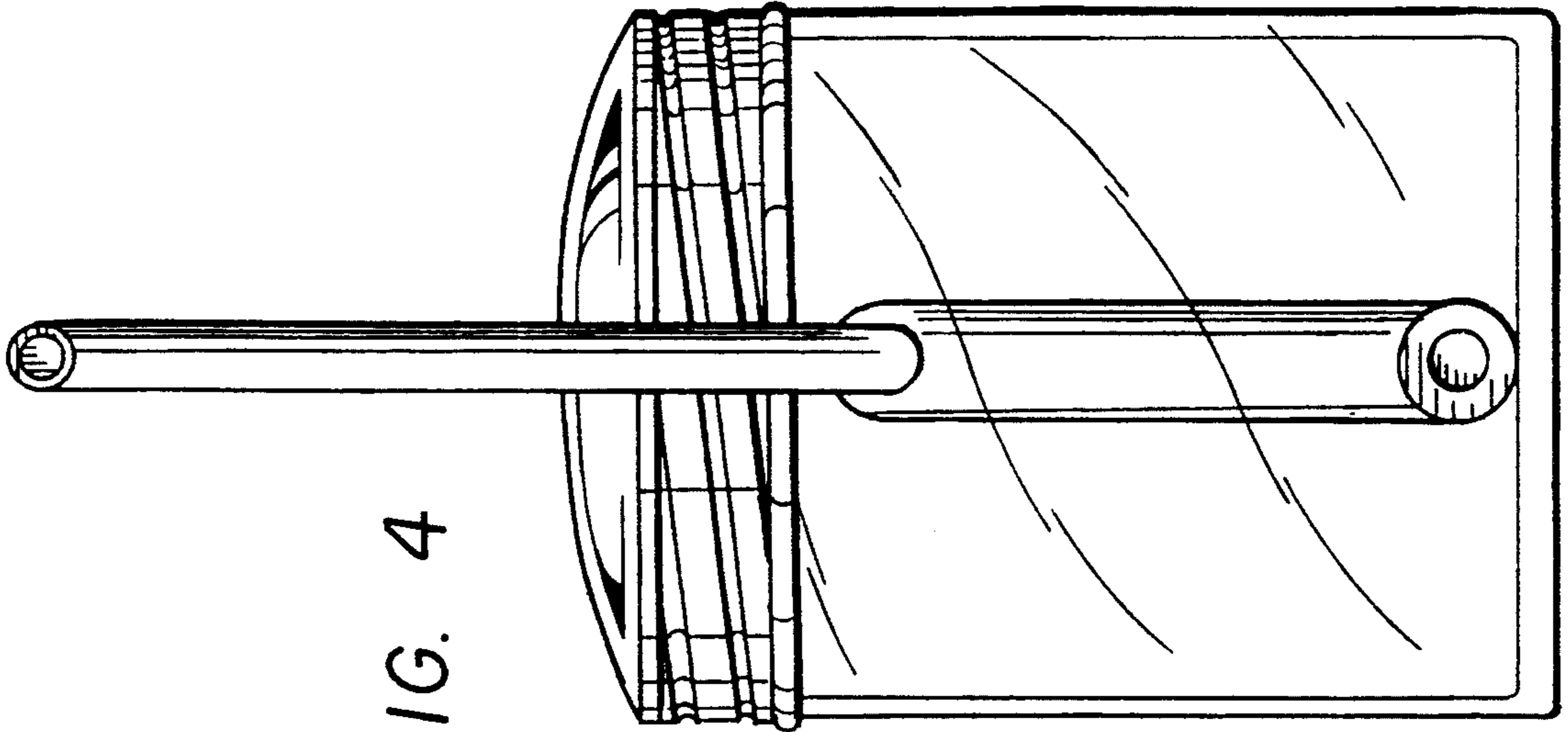


FIG. 4

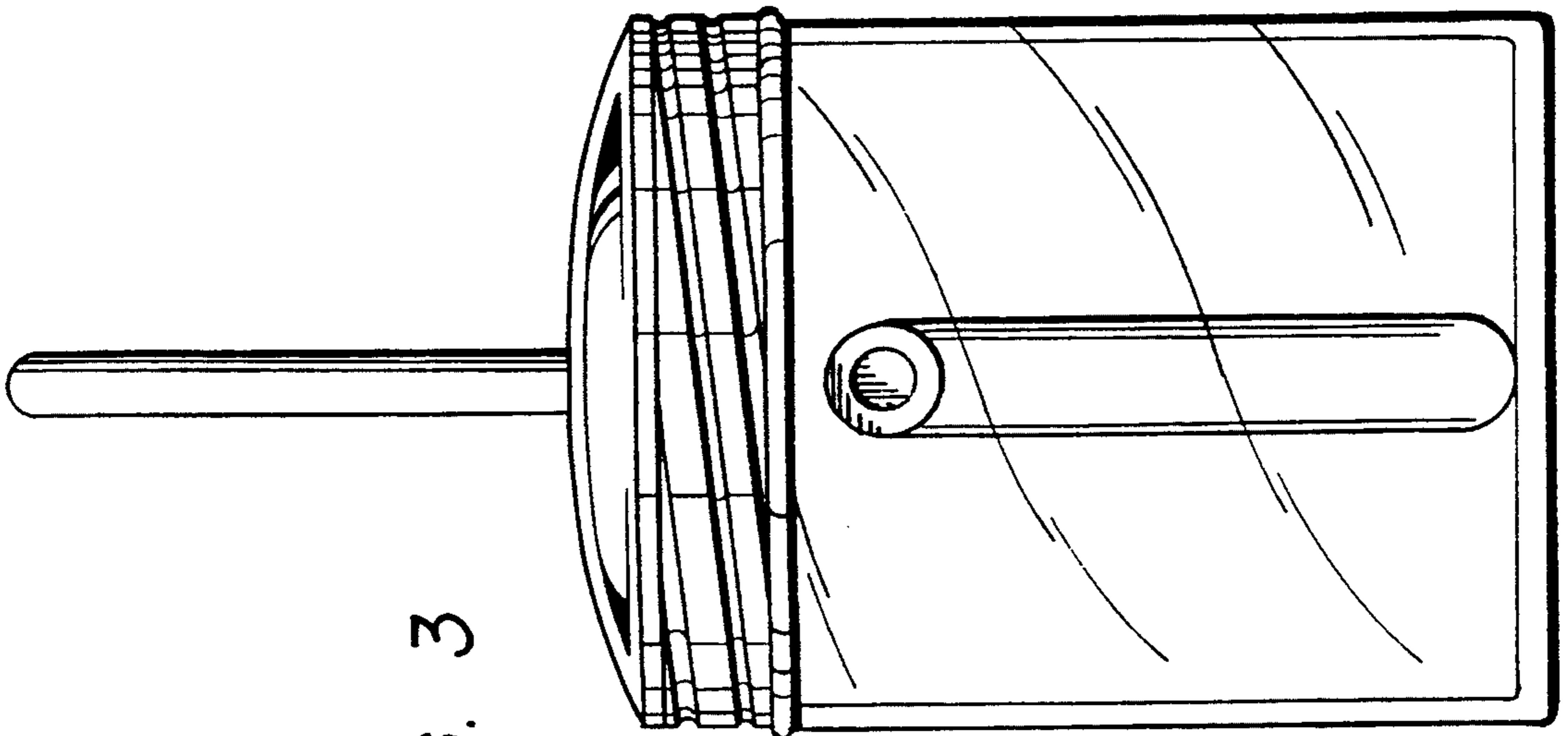
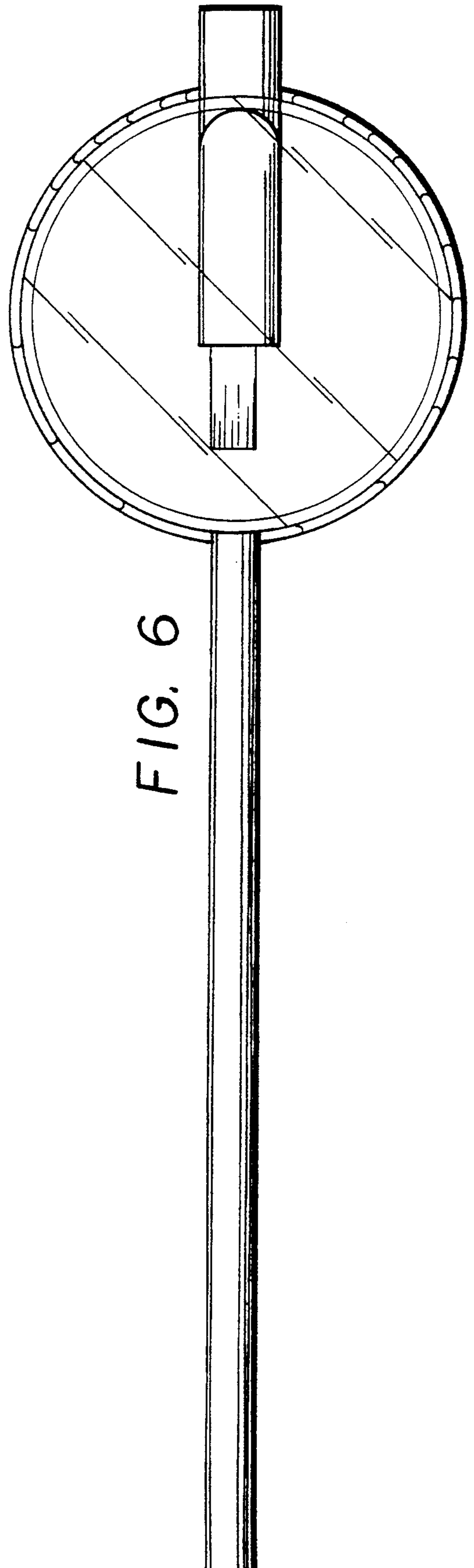
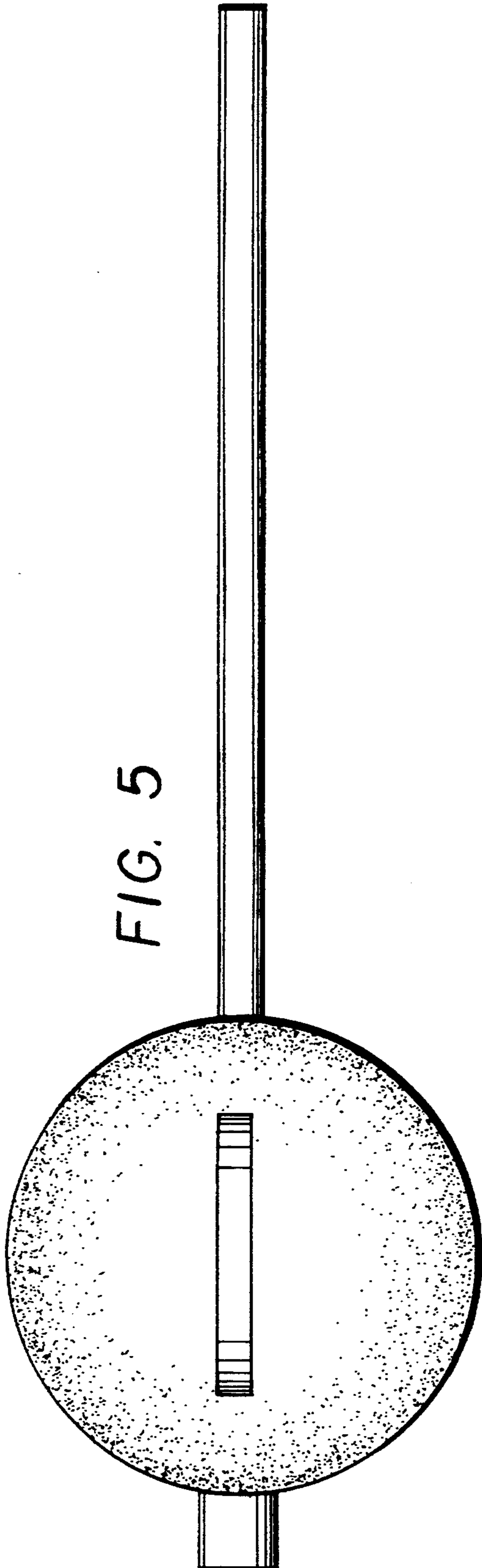


FIG. 3



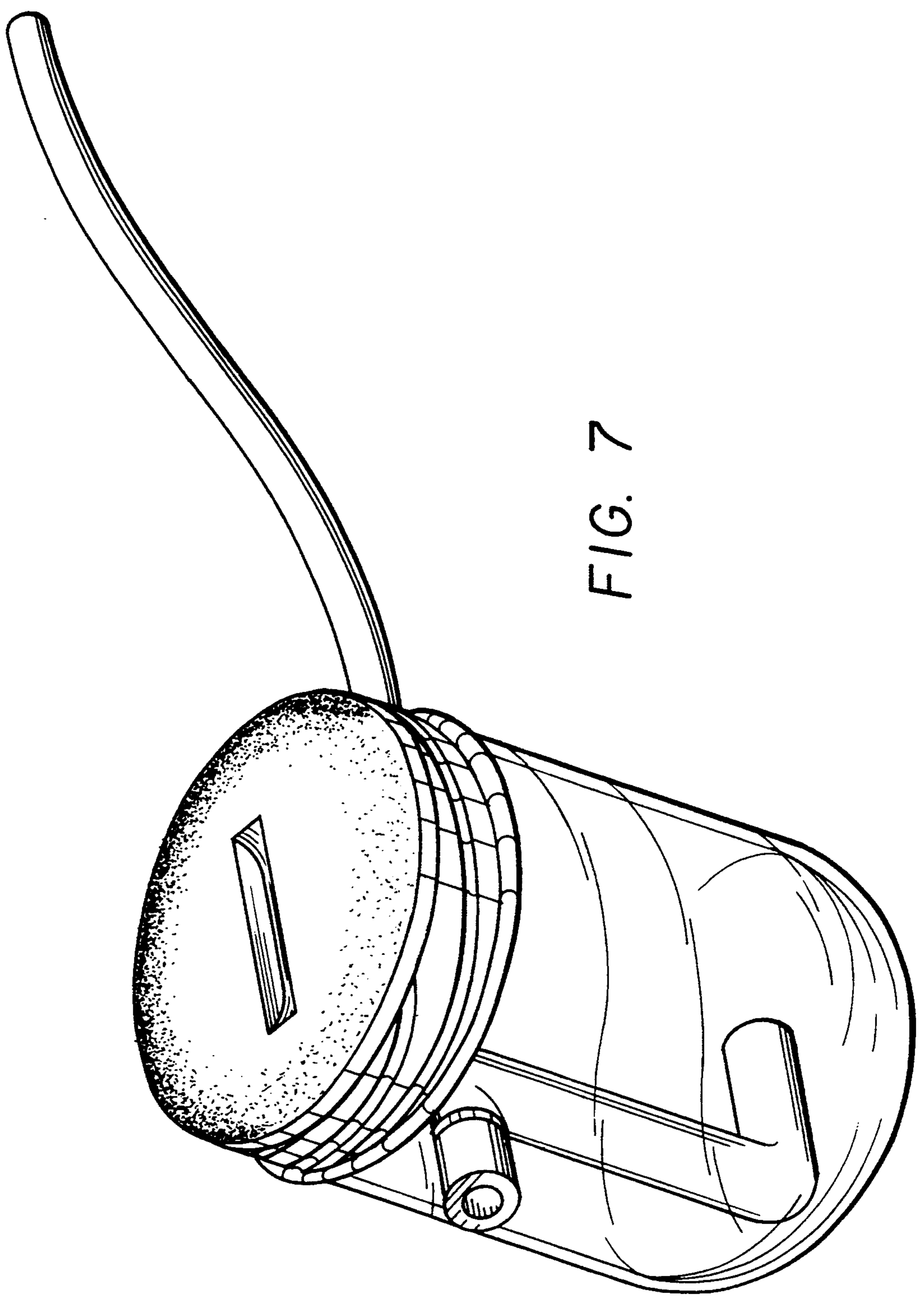


FIG. 7

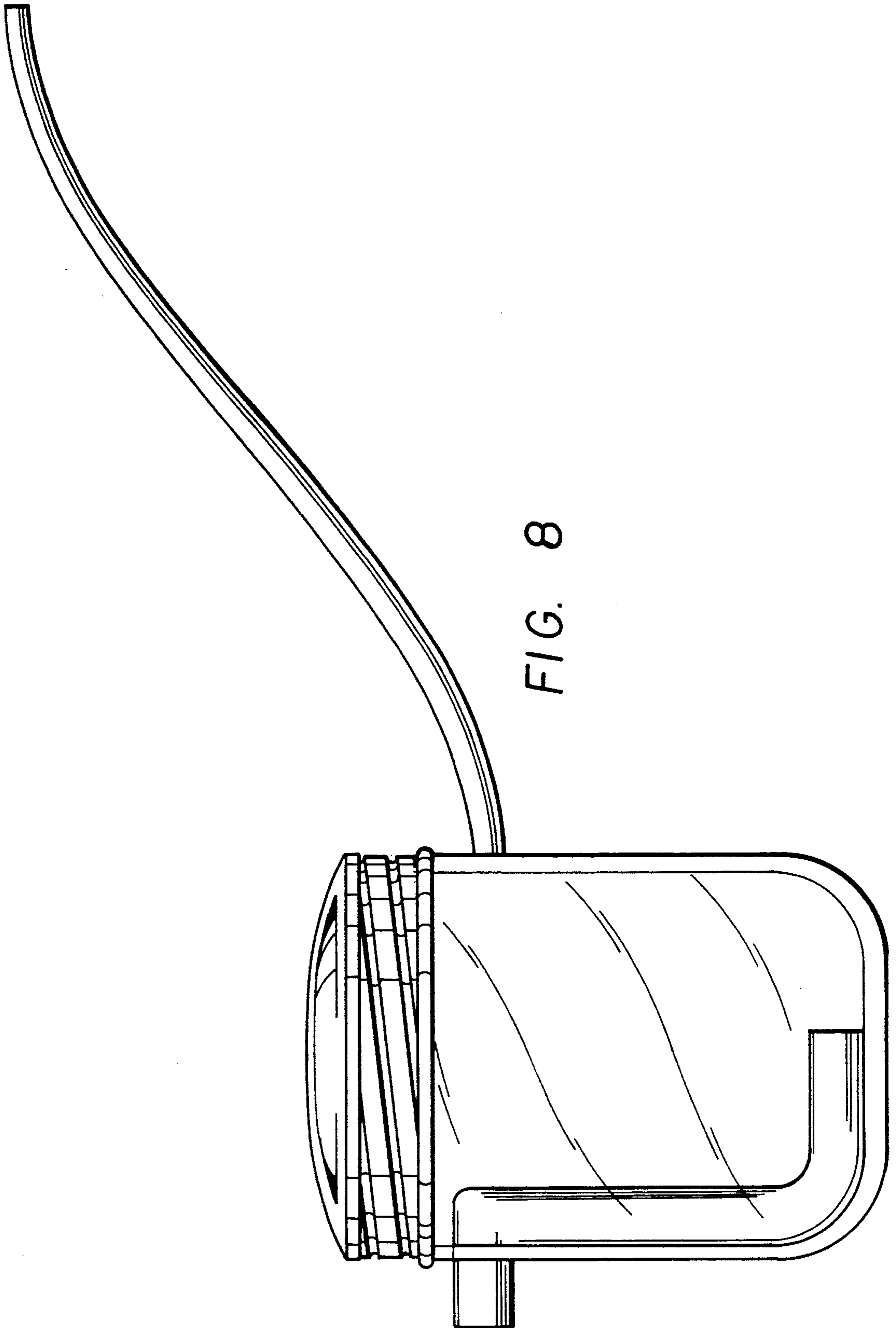


FIG. 8

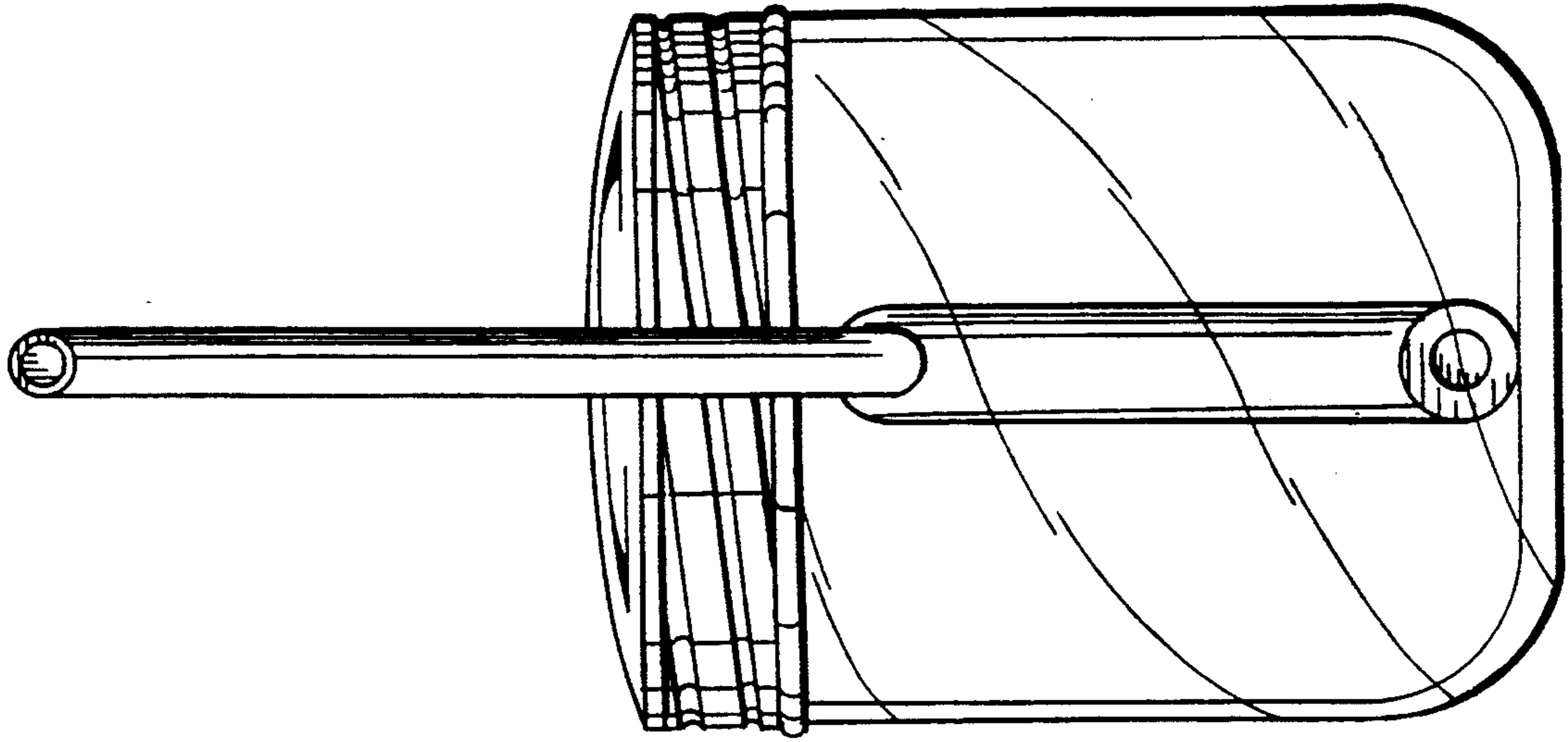


FIG. 10

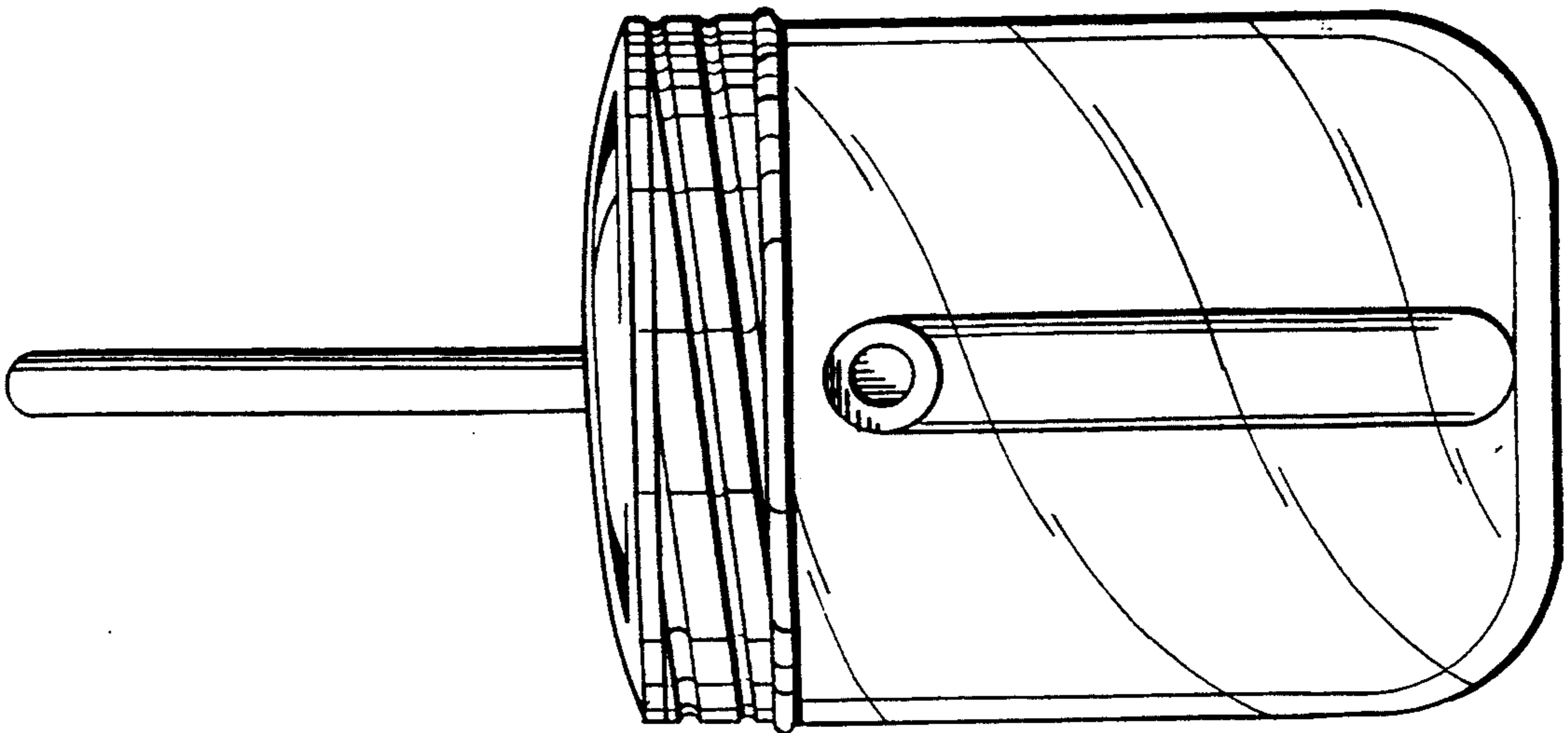


FIG. 9

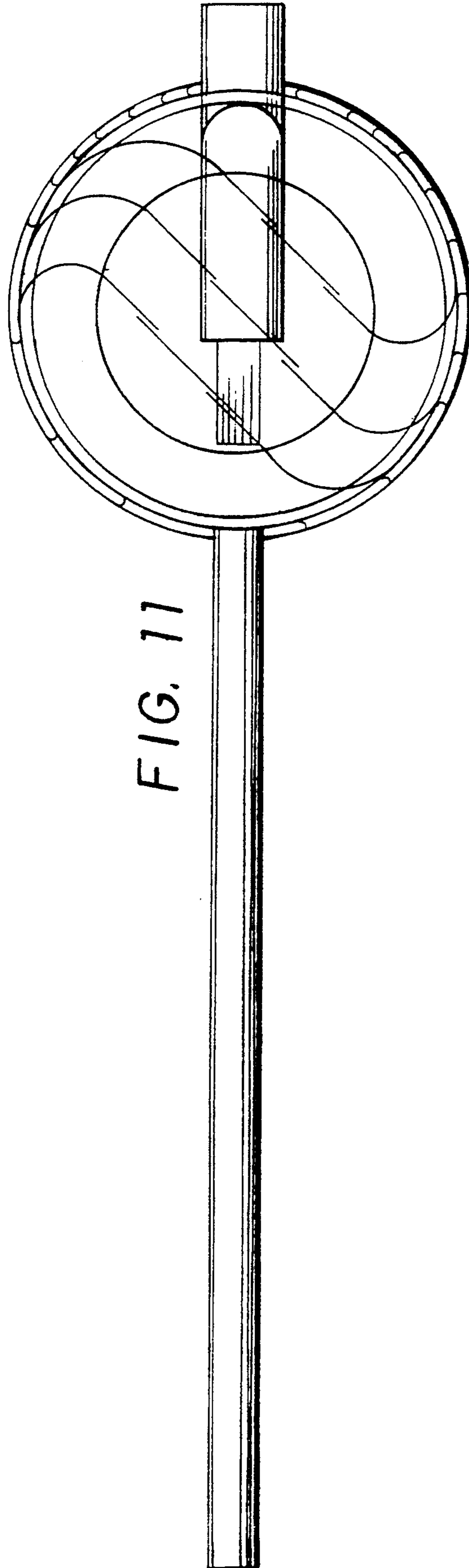


FIG. 11