



US00D351252S

United States Patent [19]

[11] Patent Number: **Des. 351,252**

Dolan

[45] Date of Patent: **** Oct. 4, 1994**

[54] CANOPY FOR LIGHTING FIXTURE SHADE

[76] Inventor: **Patrick Dolan**, 1020 SW. Westwood Ct., Portland, Oreg. 97201

[**] Term: **14 Years**

[21] Appl. No.: **5,744**

[22] Filed: **Mar. 10, 1993**

[52] U.S. Cl. **D26/149; D26/134**

[58] Field of Search 362/351, 355, 356, 360, 362/361, 363, 147, 404-408, 433, 435, 533; D26/72, 80-92, 128-136, 142, 148, 152, 153

[56] References Cited

U.S. PATENT DOCUMENTS

D. 63,103	10/1923	Howell	D26/148
D. 70,039	4/1926	Whittle	D26/149
1,689,019	10/1928	Fullerton et al.	362/438
1,714,110	5/1929	Sprecher	362/438

OTHER PUBLICATIONS

Seagull Lighting Catalog, ©1987, p. 45, Ceiling Lamp 617-05, Canopy (gr. 2900-Ceiling Lamp Box).

Primary Examiner—Susan J. Lucas
Attorney, Agent, or Firm—Saidman Designlaw Group

[57] CLAIM

The ornamental design for a canopy for lighting fixture shade, as shown and described.

DESCRIPTION

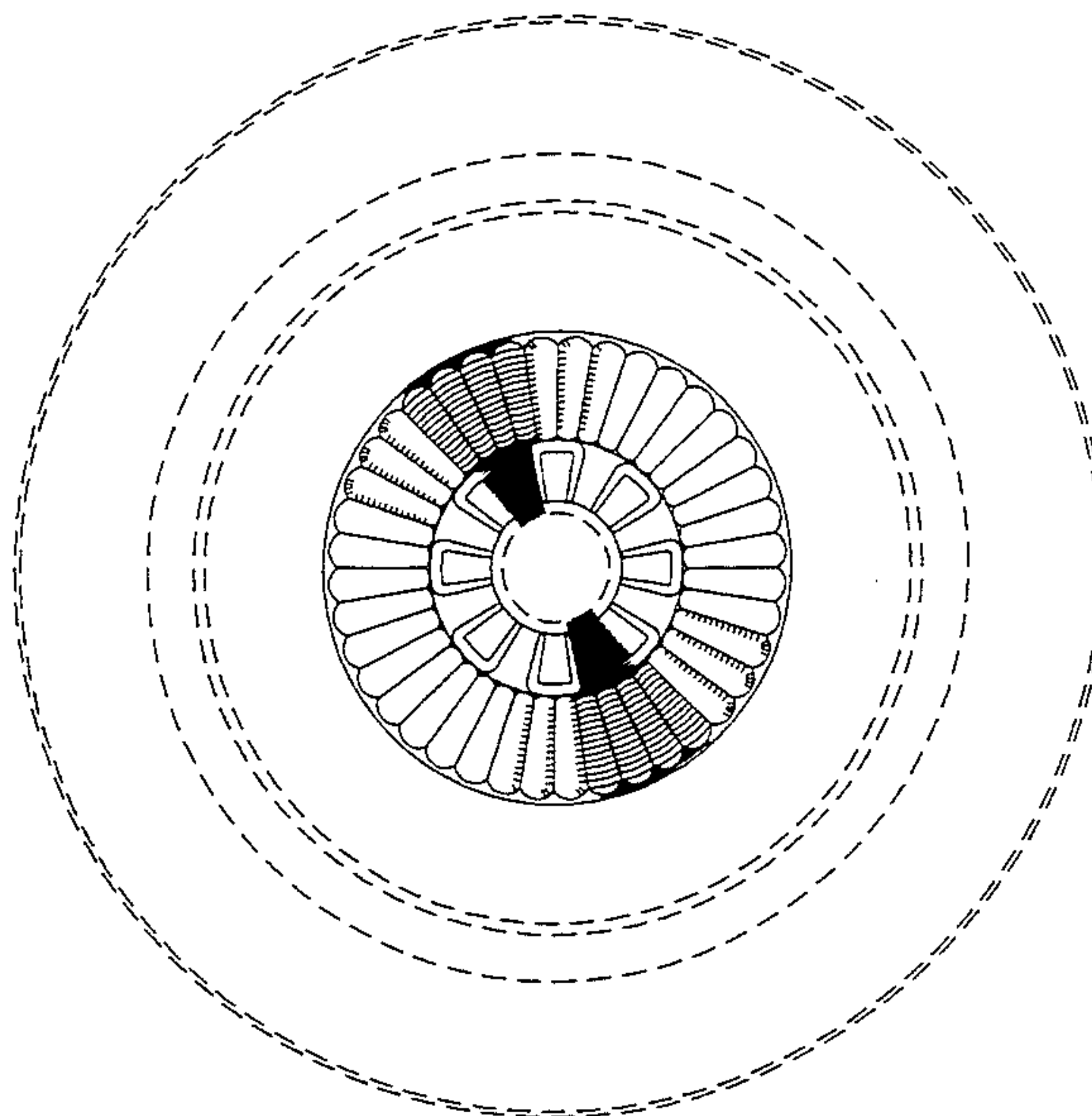
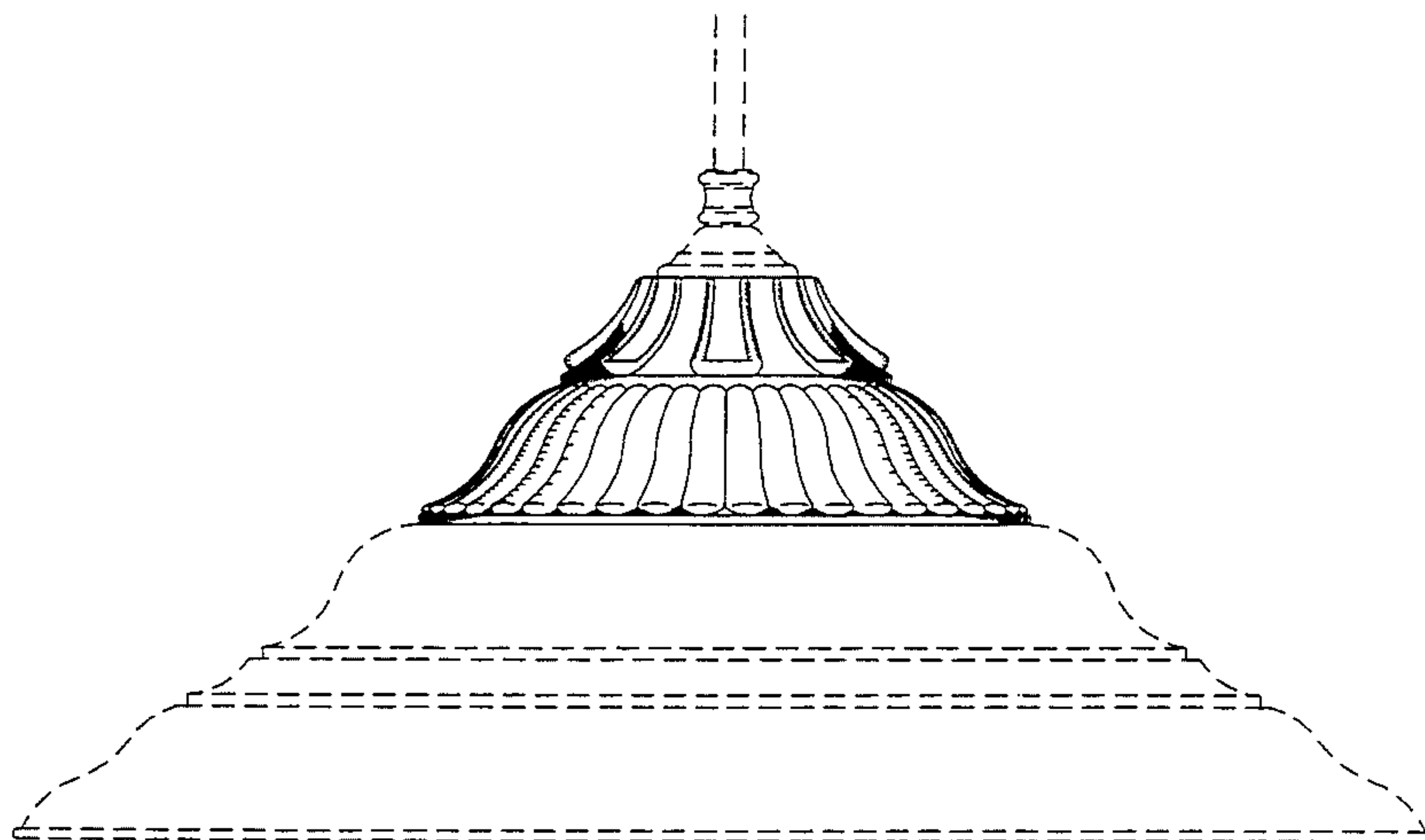
FIG. 1 is a side view in elevation of a canopy for lighting fixture shade showing my new design all sides being identical;

FIG. 2 is a side perspective view thereof;

FIG. 3 is a top plan view thereof; and,

FIG. 4 is a bottom plan view thereof.

The broken lines shown in the drawings are environmental only and form no part of the claimed design.



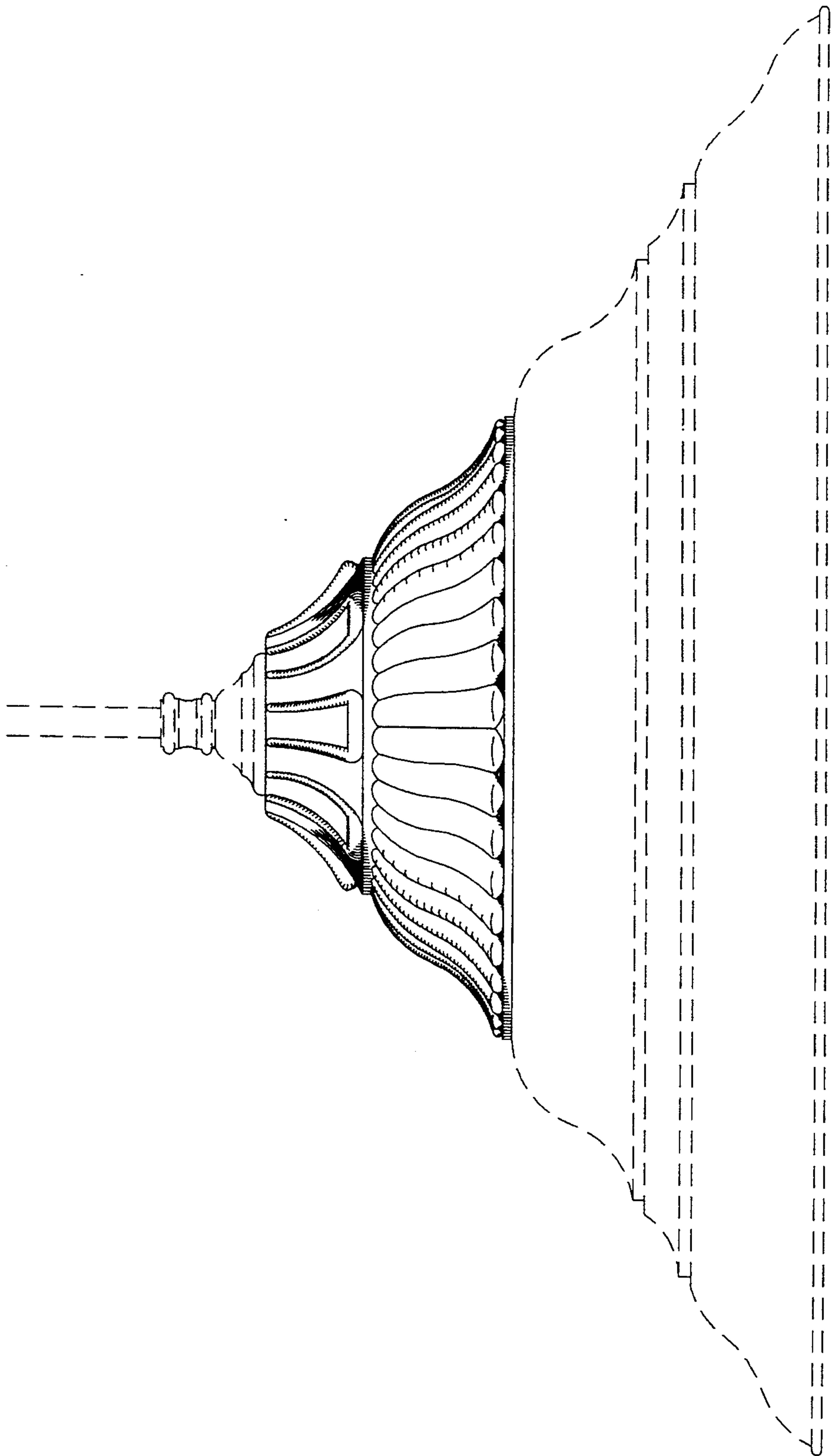


fig. 1

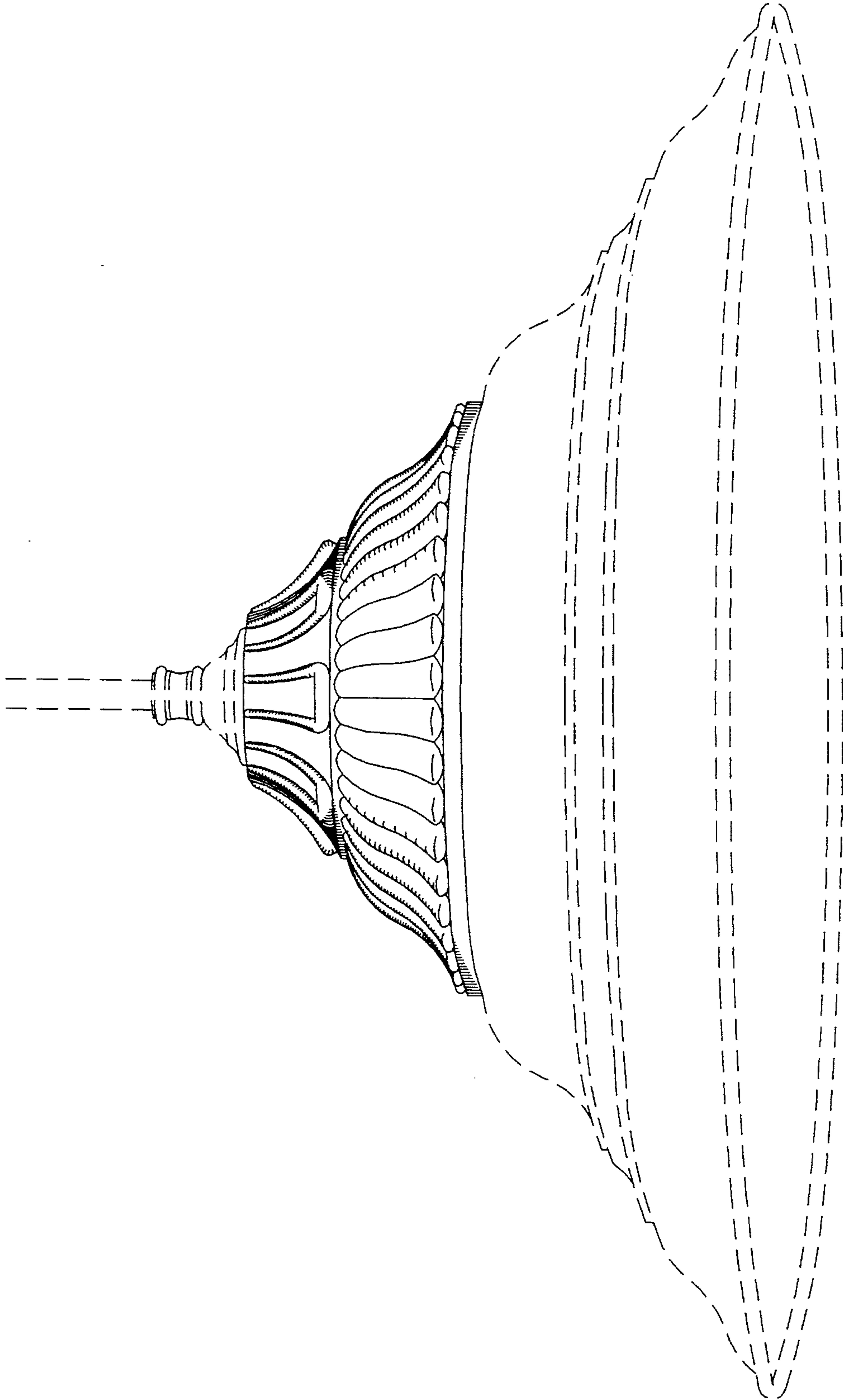


fig.2

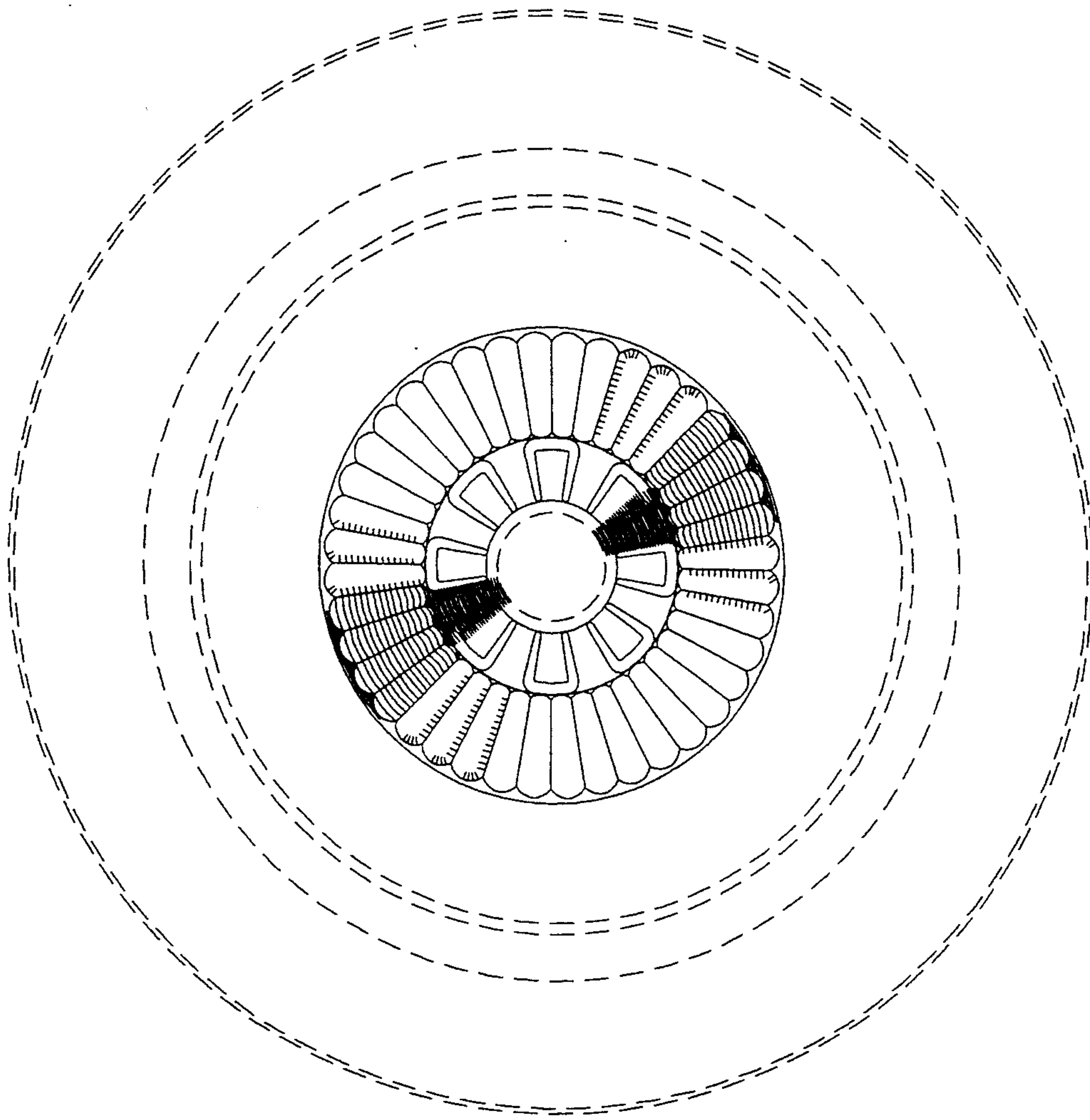


fig.3

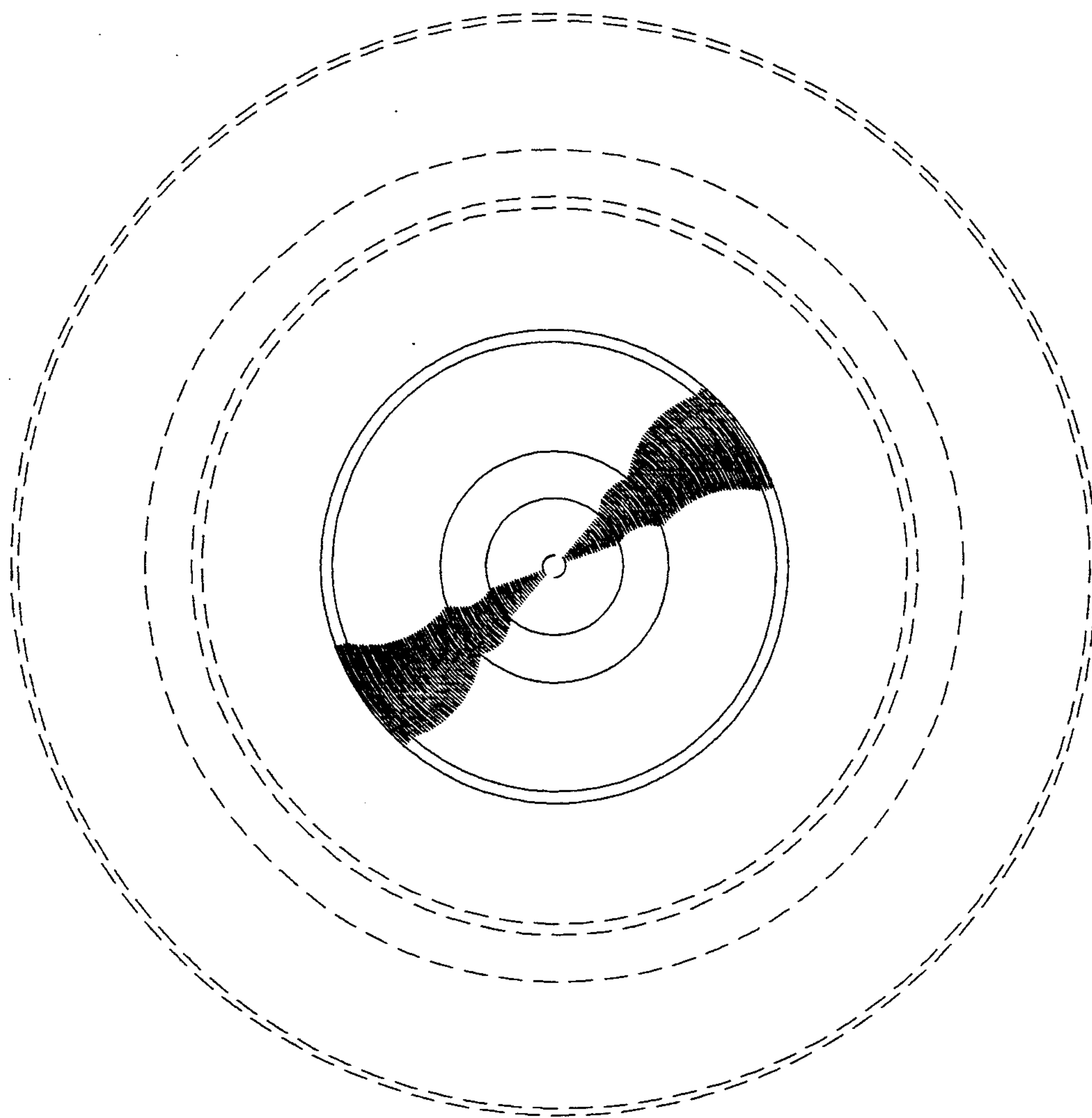


fig.4