



US00D351249S

# United States Patent [19]

[11] Patent Number: **Des. 351,249**

**Snoke et al.**

[45] Date of Patent: **\*\* Oct. 4, 1994**

- [54] **ADJUSTABLE TRACK LIGHT**
- [75] Inventors: **Phillip J. Snoke; Lionel D. Gillespie; Steven C. Gamper**, all of Atlanta, Ga.
- [73] Assignee: **Cooper Industries**, Houston, Tex.
- [\*\*] Term: **14 Years**
- [21] Appl. No.: **18,496**
- [22] Filed: **Feb. 8, 1994**

D. 326,928 6/1992 Werely ..... D26/63 X  
 4,727,460 2/1988 Payne ..... 362/269

### OTHER PUBLICATIONS

Home Lighting & Accessories, Jan. 1990, p. 38, Hunter Adjustable Track Light.

*Primary Examiner*—Susan J. Lucas  
*Attorney, Agent, or Firm*—Burns, Doane, Swecker & Mathis

### Related U.S. Application Data

- [62] Division of Ser. No. 830,244, Feb. 4, 1992.
- [52] U.S. Cl. .... **D26/65**
- [58] Field of Search ..... 362/147, 169, 275, 285, 362/418, 419, 427; D26/60-65

### [57] CLAIM

The ornamental design for adjustable track light, as shown and described.

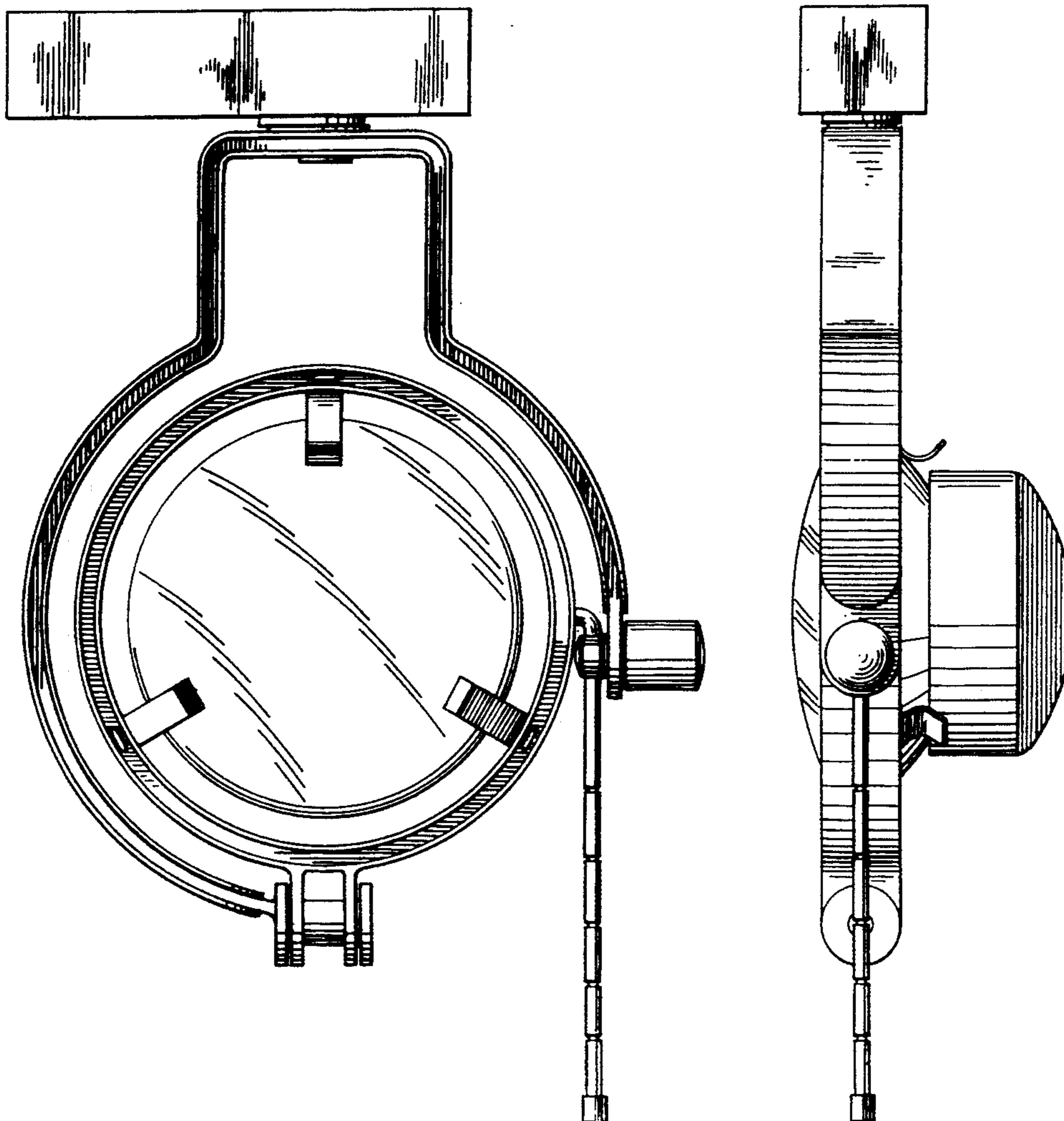
### References Cited

#### U.S. PATENT DOCUMENTS

- D. 288,135 2/1987 Donato ..... D26/63
- D. 326,162 5/1992 Price ..... D26/63

### DESCRIPTION

FIG. 1 is a front view of an adjustable track light showing our new design;  
 FIG. 2 is a right-side view thereof;  
 FIG. 3 is a left-side view thereof;  
 FIG. 4 is a back view thereof;  
 FIG. 5 is a top view thereof; and,  
 FIG. 6 is a bottom view thereof.



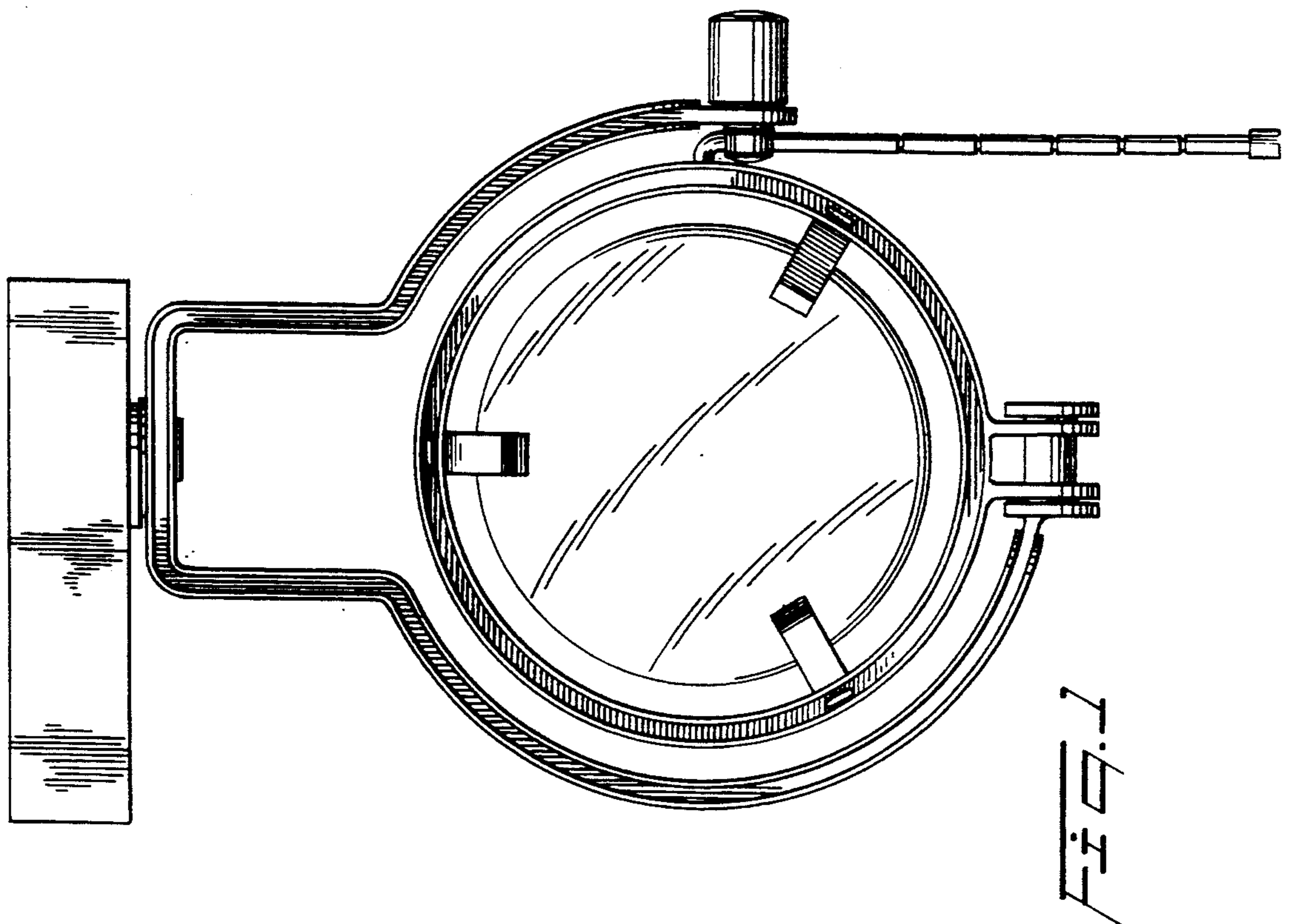
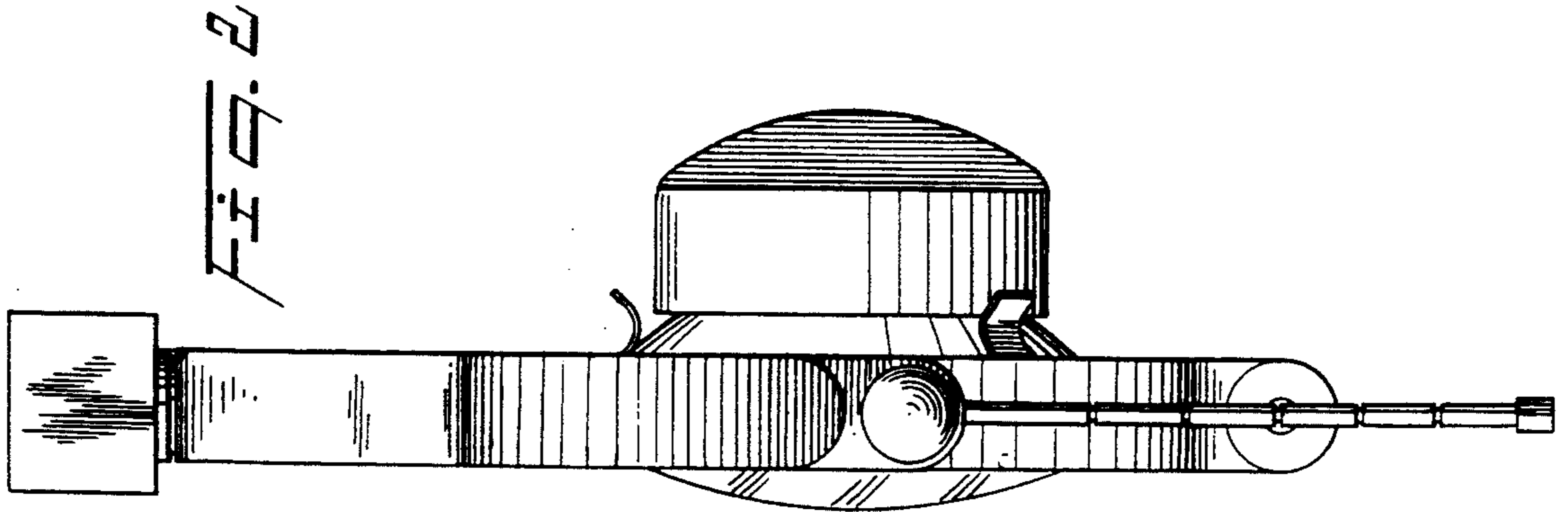
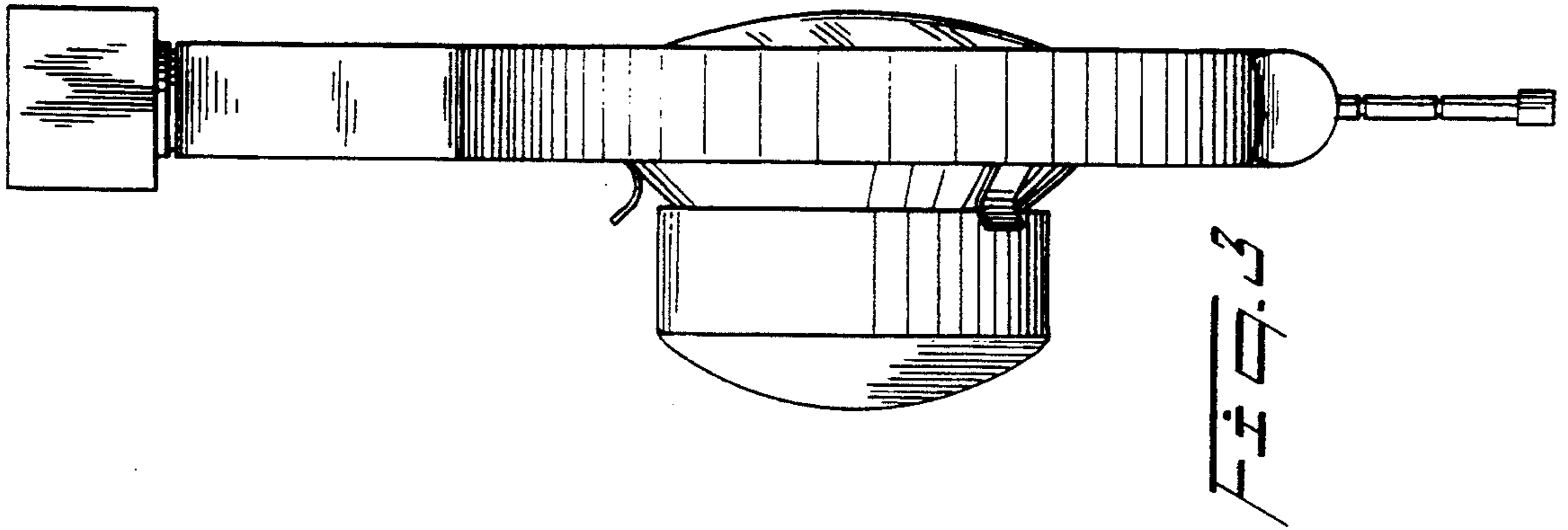


FIG. 5

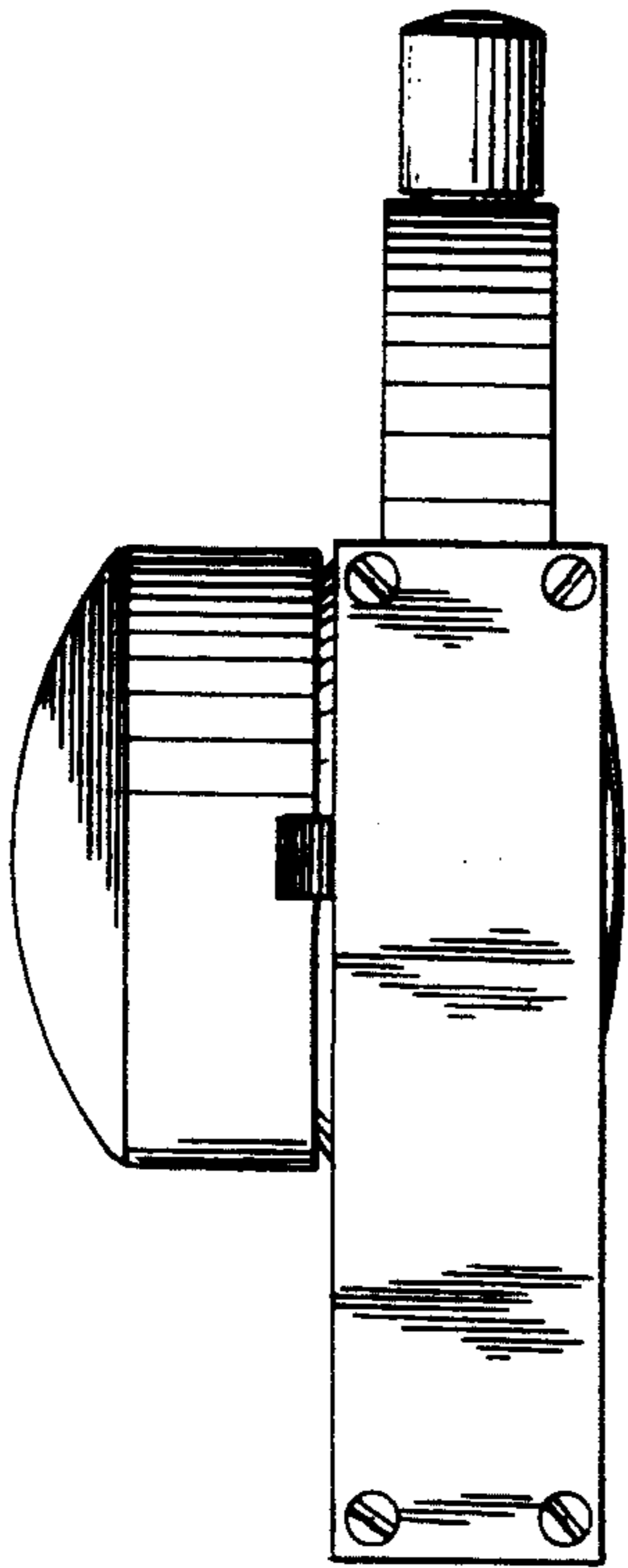


FIG. 6

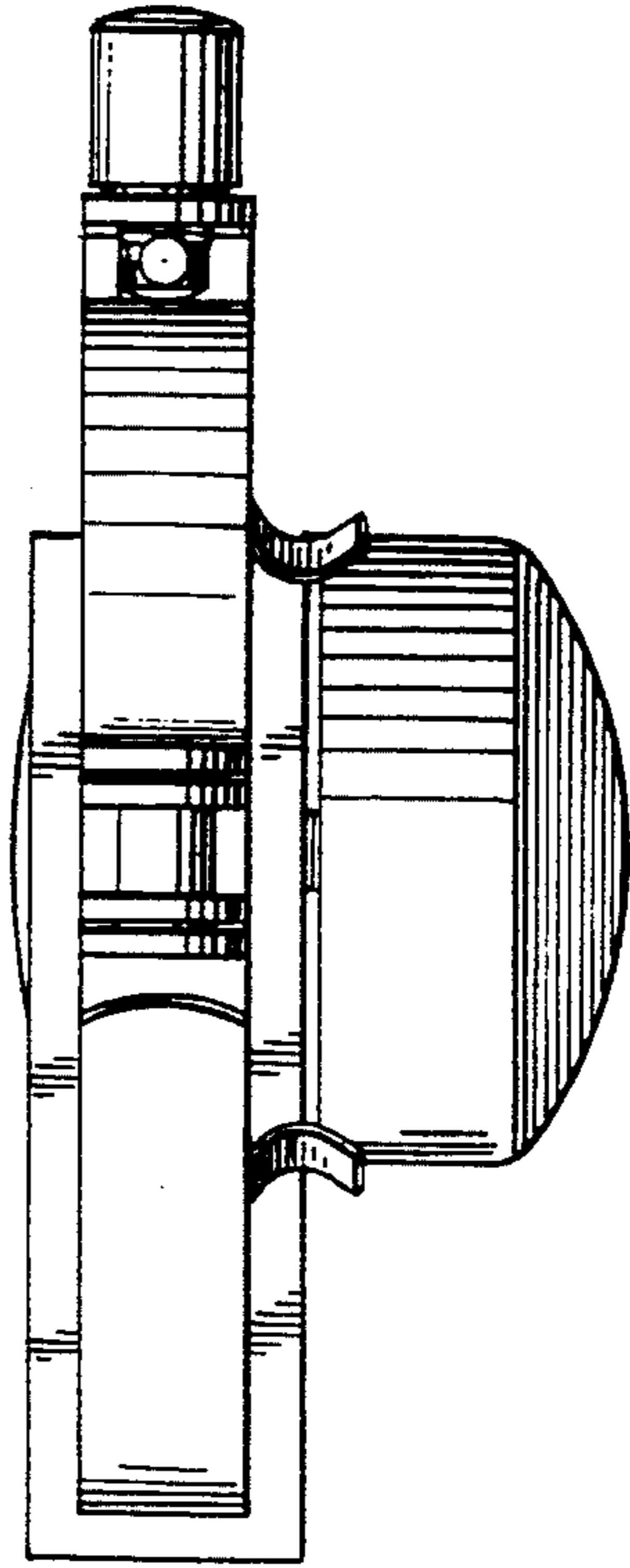


FIG. 4

