



US00D351248S

United States Patent [19]

[11] Patent Number: **Des. 351,248**

Yuen

[45] Date of Patent: **** Oct. 4, 1994**

[54] **ADJUSTABLE DESK LAMP**

D. 330,165 10/1992 Osterhout D26/65

[75] Inventor: **Se-Kit Yuen, Hong Kong, Hong Kong**

Primary Examiner—Susan J. Lucas
Attorney, Agent, or Firm—Darby & Darby

[73] Assignee: **John Manufacturing Limited, Kwun Tong, Hong Kong**

[57] **CLAIM**

[**] Term: **14 Years**

The ornamental design for a adjustable desk lamp, as shown and described.

[21] Appl. No.: **4,529**

DESCRIPTION

[22] Filed: **Feb. 8, 1993**

FIG. 1 is a front elevational view of a adjustable desk lamp, showing my new design;

[30] **Foreign Application Priority Data**

Sep. 21, 1992 [GB] United Kingdom 2025821

FIG. 2 is a rear elevational view thereof;

[52] U.S. Cl. **D26/65**

FIG. 3 is a left side view thereof, the right side view being a mirror image;

[58] Field of Search 362/269, 285, 287, 410, 362/413, 414, 418, 419, 427; D26/60-66

FIG. 4 is a bottom plan view thereof;

FIG. 5 is a right side elevational view, to enlarged scale, showing the lamp arm in the extended position;

[56] **References Cited**

U.S. PATENT DOCUMENTS

D. 325,648 4/1992 Cerbini D26/65

FIG. 6 is a front elevational view of the design in the extended position;

FIG. 7 is a bottom plan view of the design in the extended position.

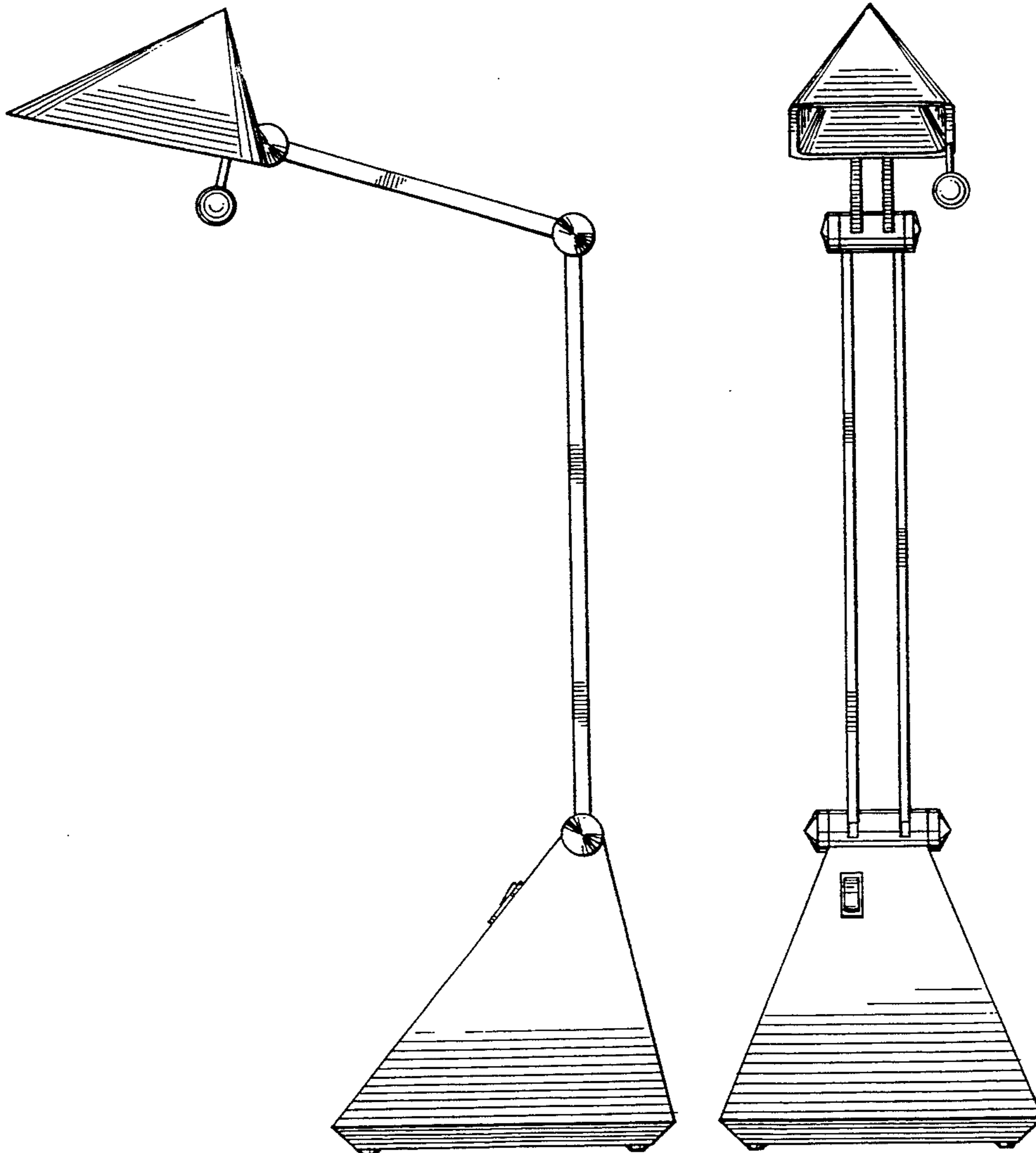


FIG. 1

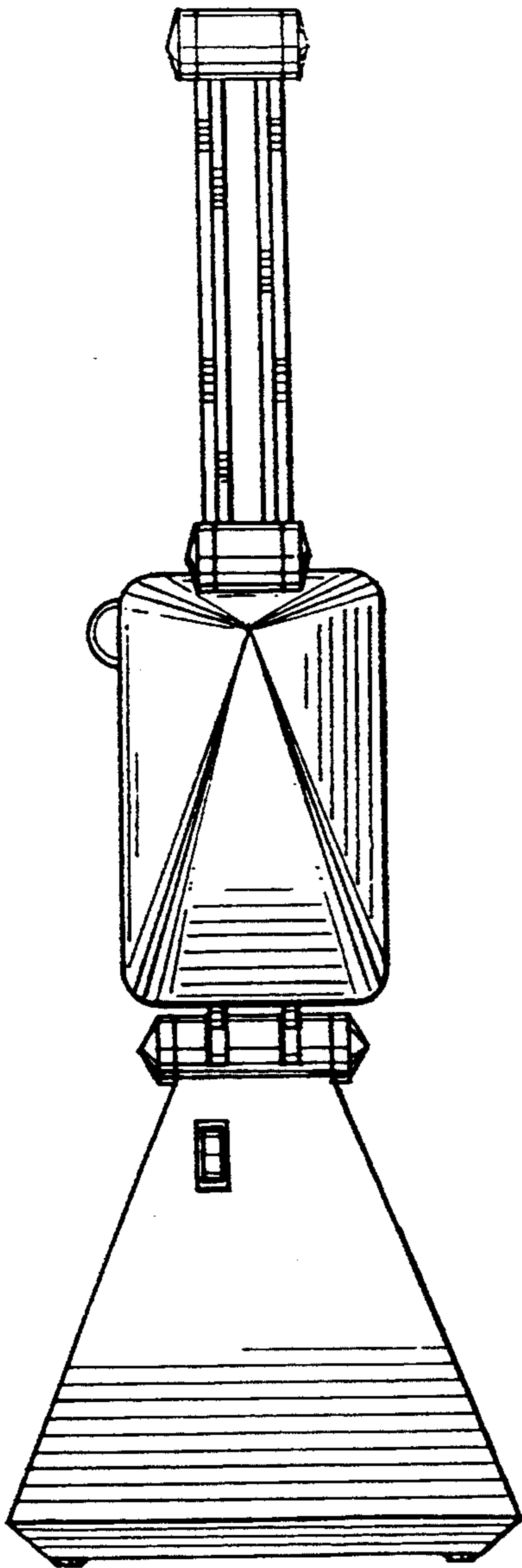


FIG. 2

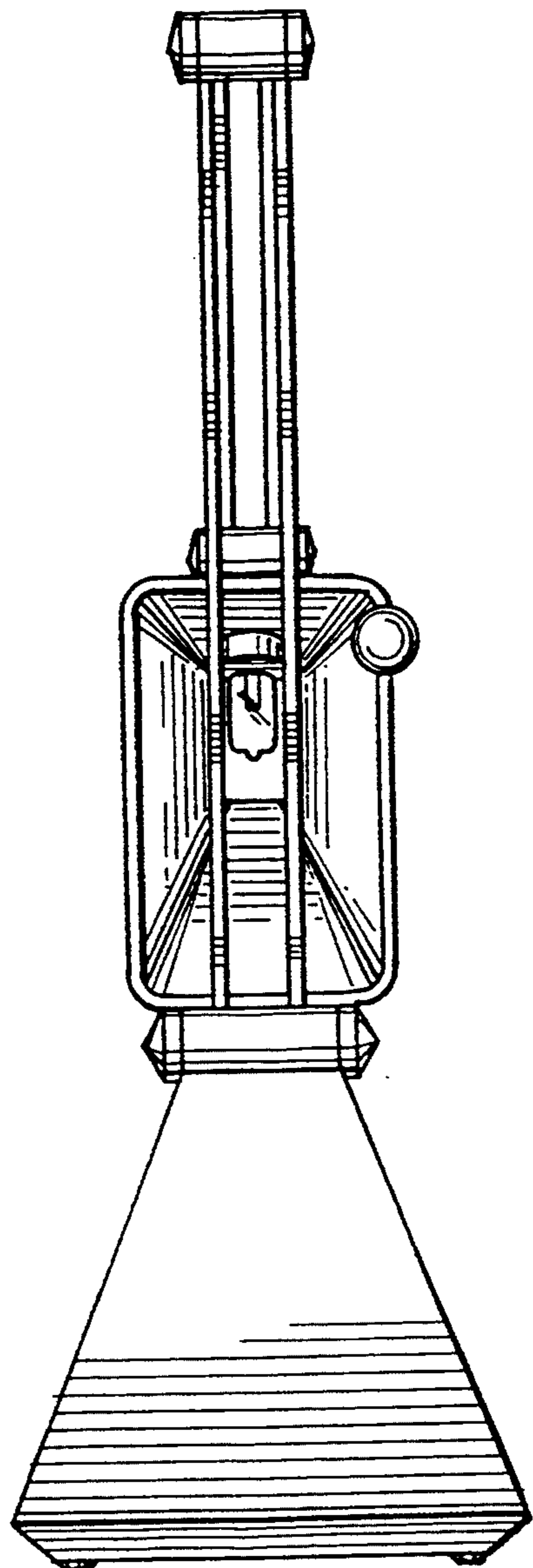


FIG. 3

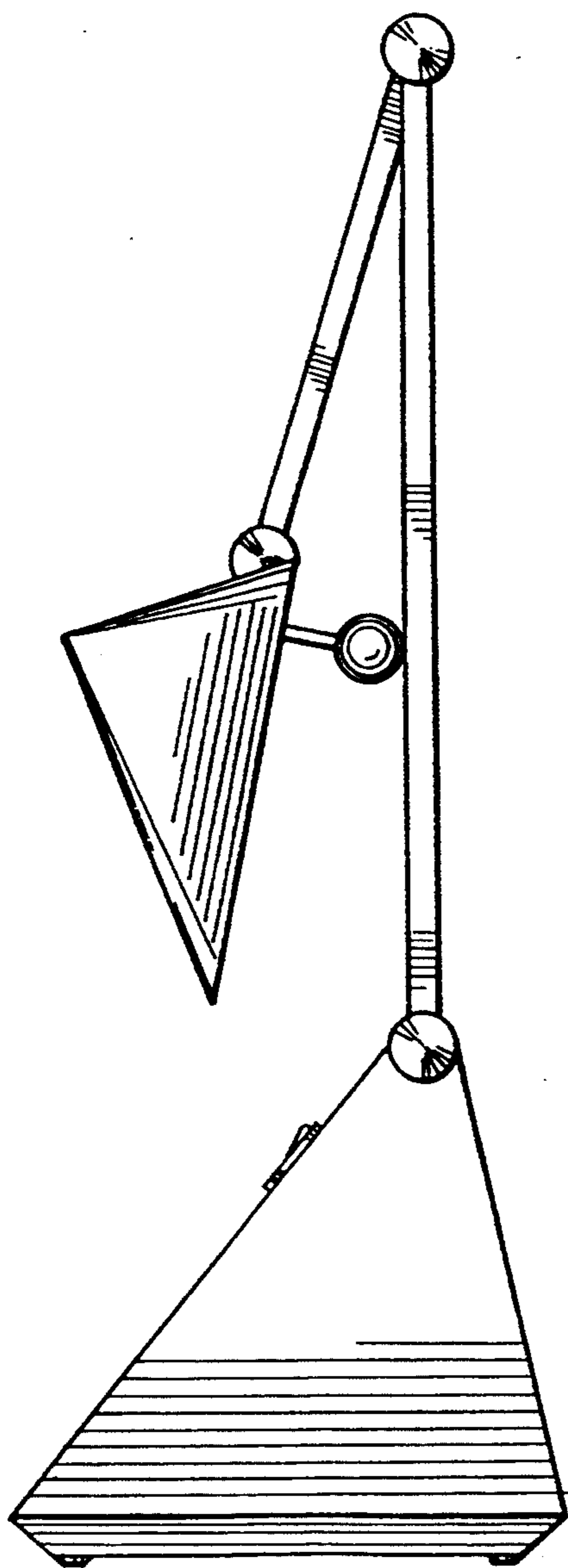
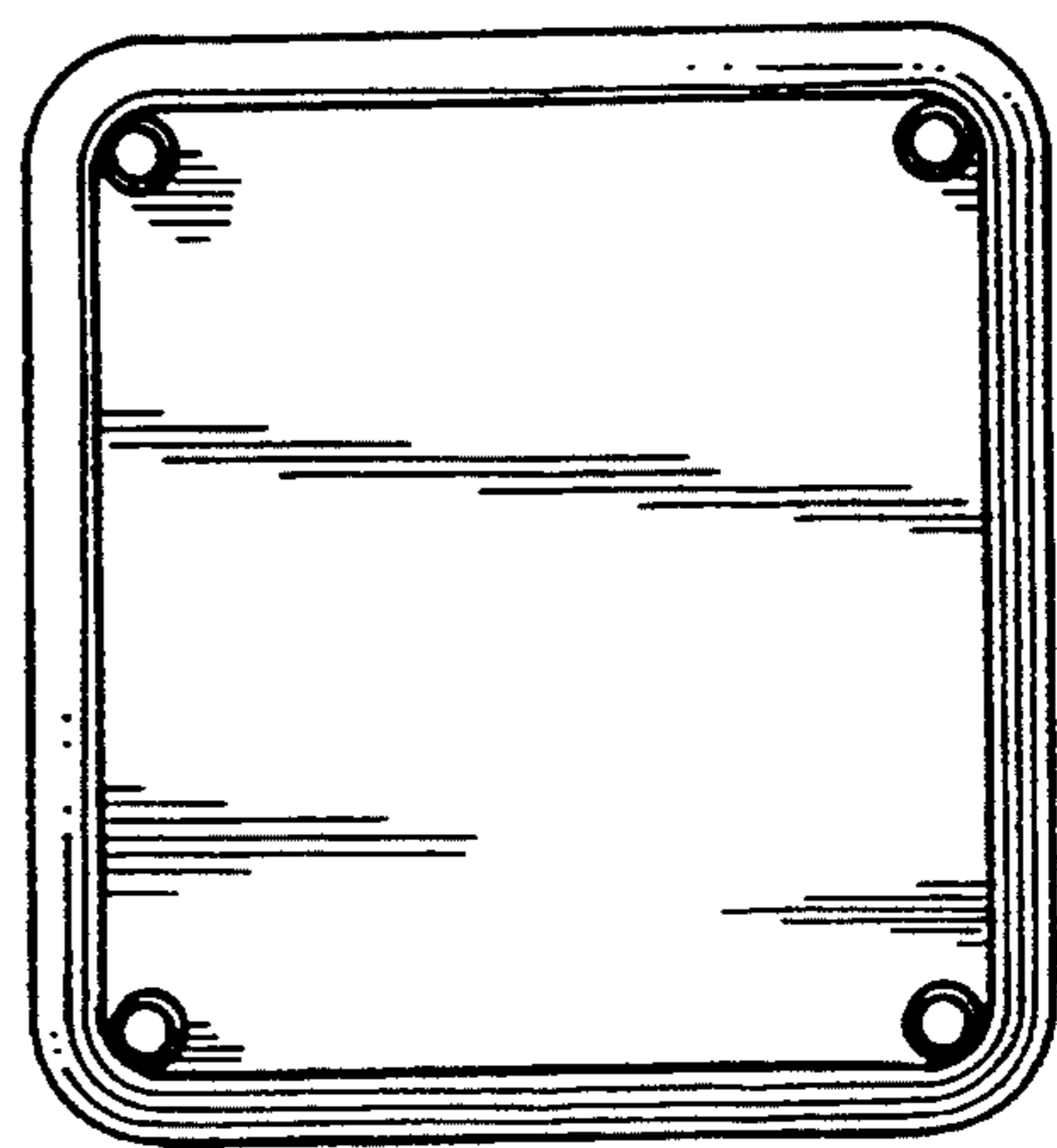


FIG. 4



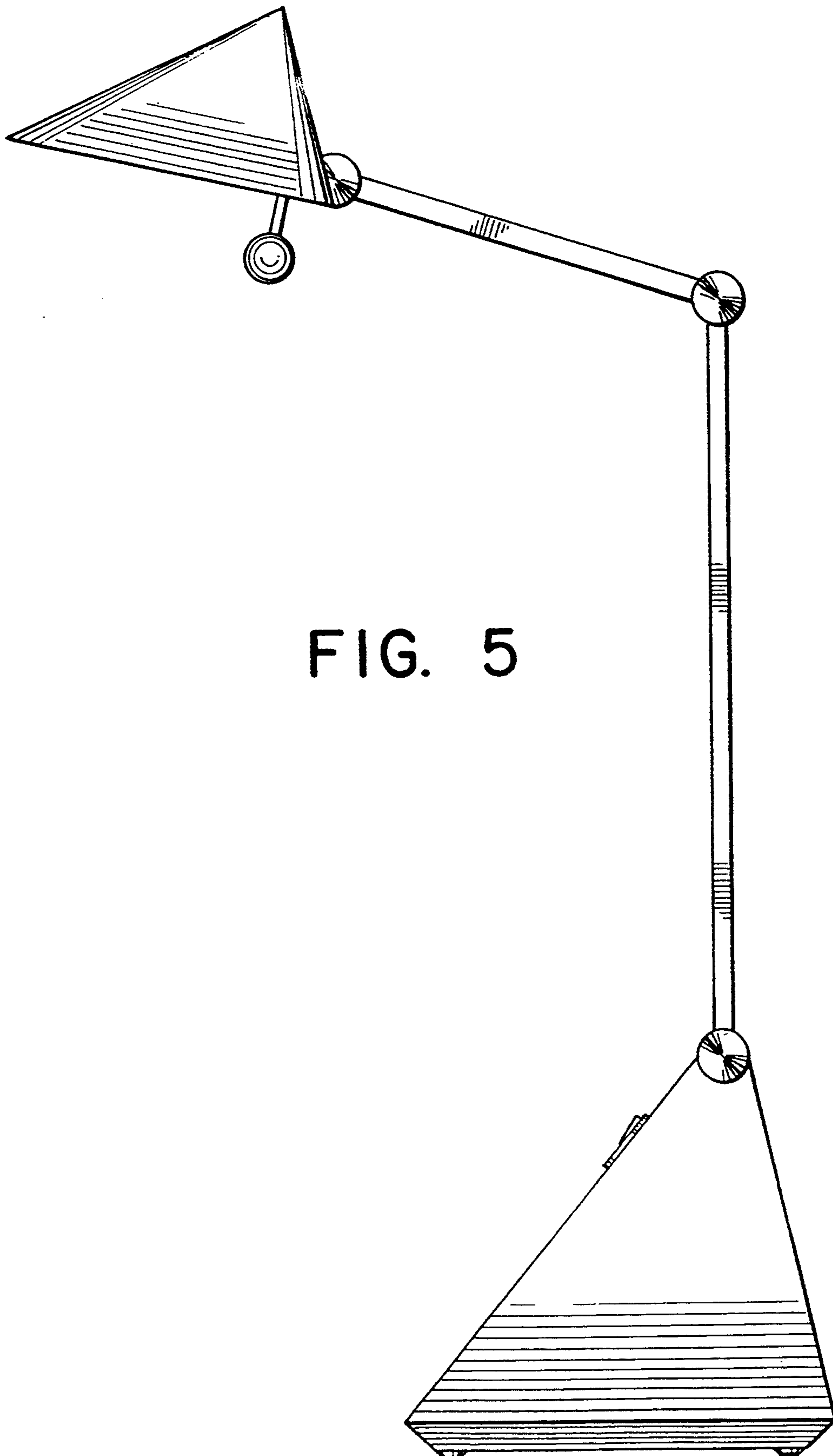


FIG. 5

FIG. 6

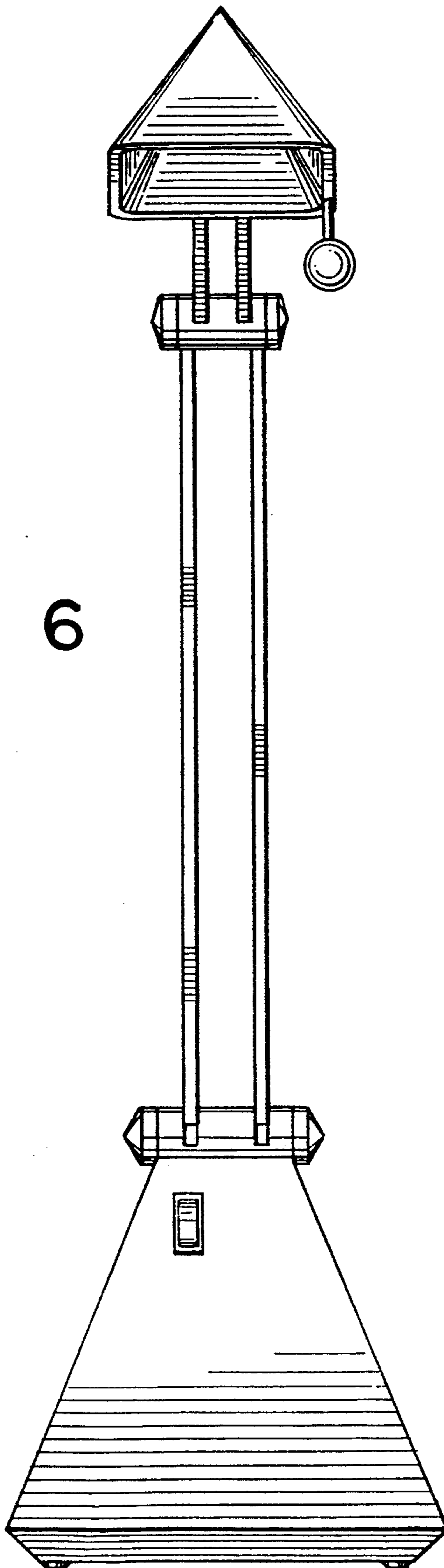


FIG. 7

