



US00D351246S

United States Patent [19]

[11] Patent Number: Des. 351,246

Yuen et al.

[45] Date of Patent: ** Oct. 4, 1994

[54] **COMBINED AJUSTABLE DESK LAMP AND RADIO**

[75] Inventors: **Se-Kit Yuen, Hong Kong, Hong Kong;**

[73] Assignee: **John Manufacturing Limited, Kowloon, Hong Kong**

[**] Term: **14 Years**

[21] Appl. No.: **4,525**

[22] Filed: **Feb. 8, 1993**

[30] **Foreign Application Priority Data**

Sep. 21, 1992 [GB] United Kingdom 2025820

[52] U.S. Cl. **D26/52; D14/168; D26/65**

[58] **Field of Search** 362/269, 285, 287, 410, 362/413, 414, 418, 419, 427; 362/86; 455/350, 351, 346; D26/60-66, 52; D14/168; D26/52

[56] **References Cited**

U.S. PATENT DOCUMENTS

- D. 208,004 6/1967 Heller D26/52
- D. 208,202 8/1967 Imanishi et al. D26/52
- D. 325,648 4/1992 Cerbini D26/65
- D. 330,265 10/1992 Osterhout D26/65

Primary Examiner—Susan J. Lucas
Attorney, Agent, or Firm—Darby & Darby

[57] **CLAIM**

The ornamental design for a combined adjustable desk lamp and radio, as shown and described.

DESCRIPTION

FIG. 1 is a front elevational view of a combined adjustable desk lamp and radio showing my new design; FIG. 2 is a right elevational view thereof; FIG. 3 is a right side elevational view thereof; FIG. 4 is a bottom plan view thereof; FIG. 5 is a left side elevational view thereof; FIG. 6 is a right side elevational view thereof to enlarged scale showing the lamp arm in extended position; FIG. 7 is a front elevational view of the design shown in FIG. 6 in the extended position; and, FIG. 8 is a bottom plan view of the design in the extended position.

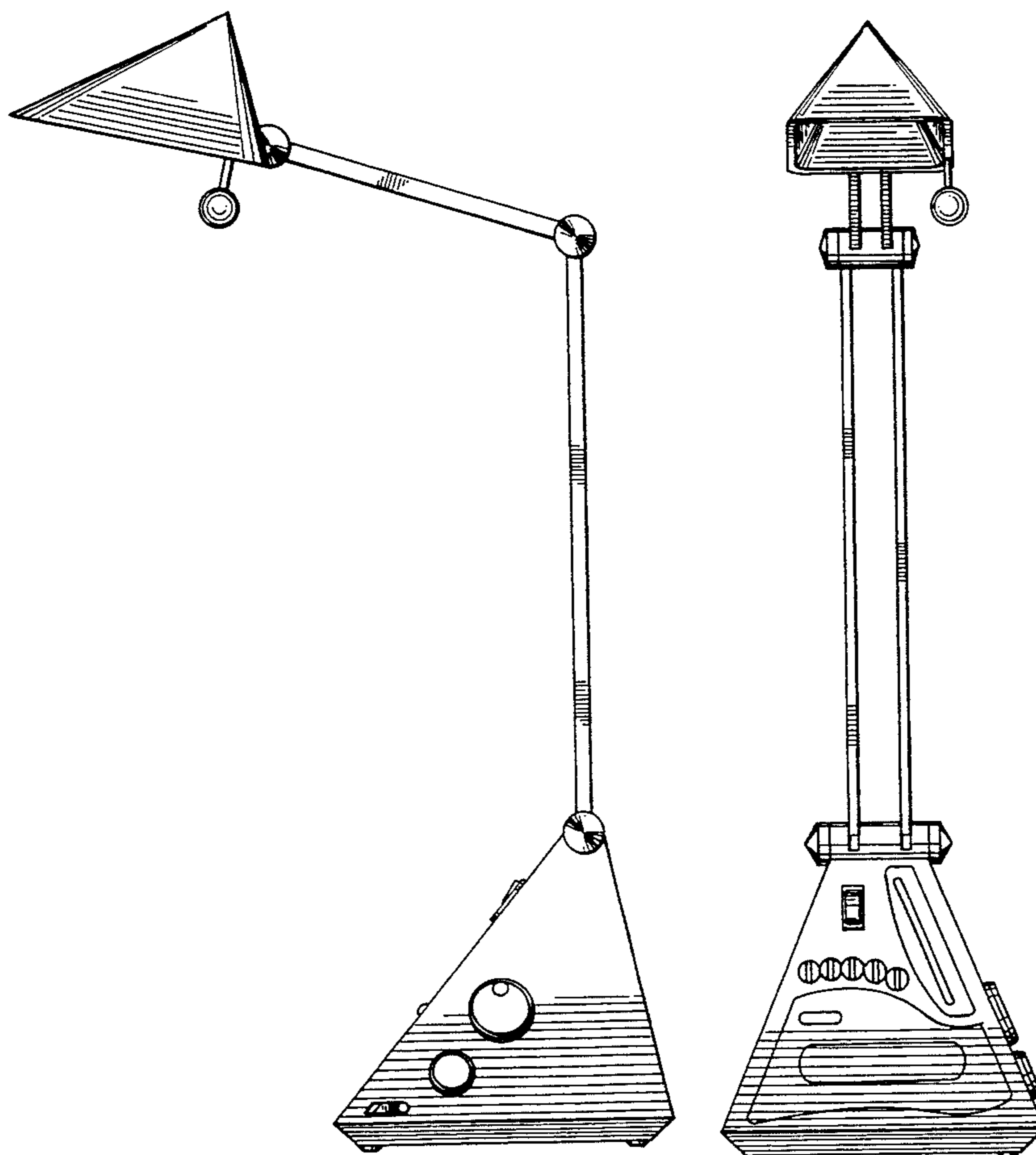


FIG. 1

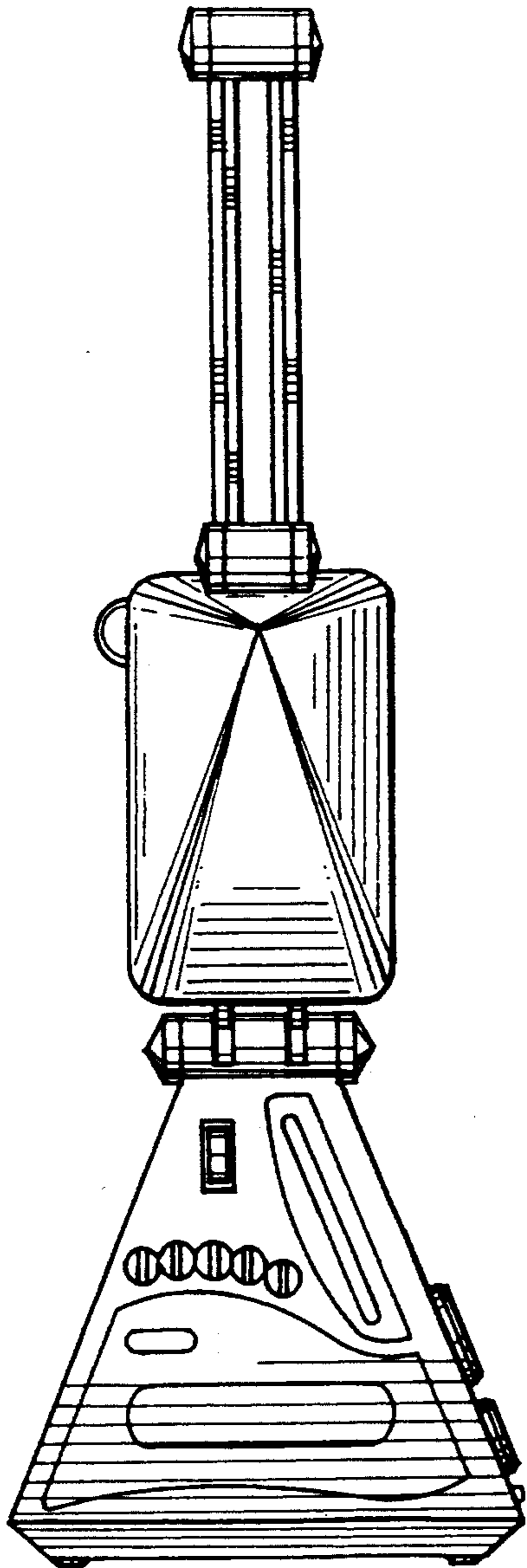


FIG. 2

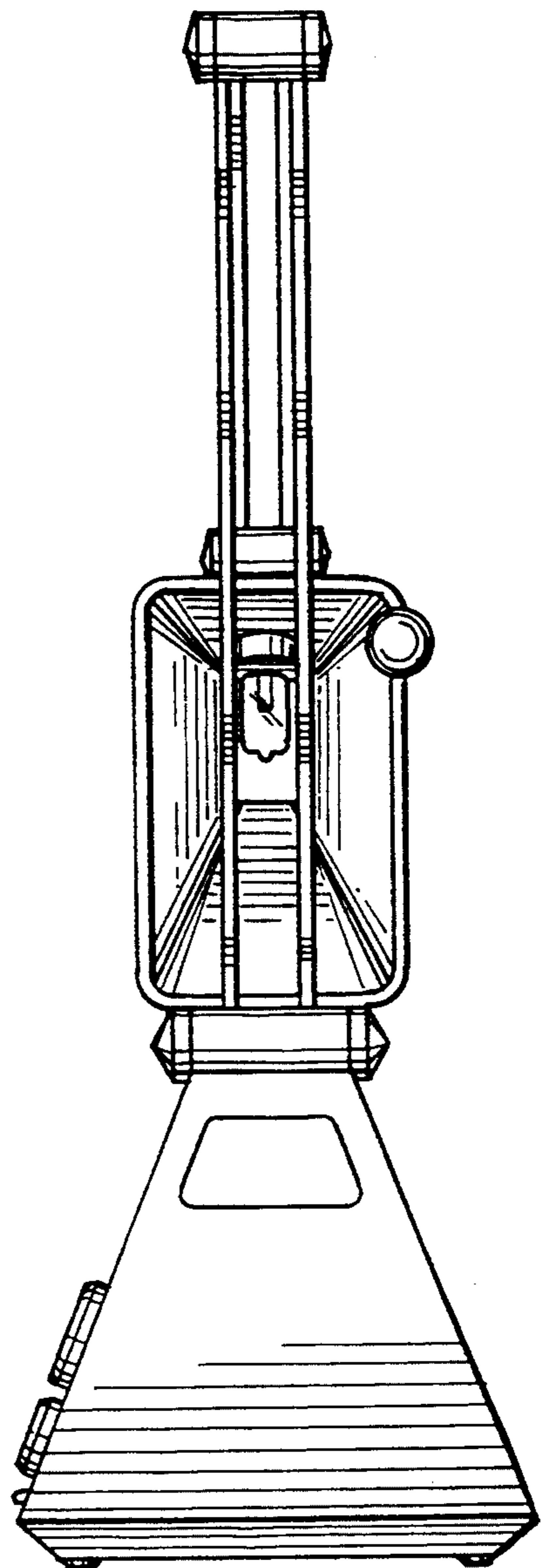


FIG. 3

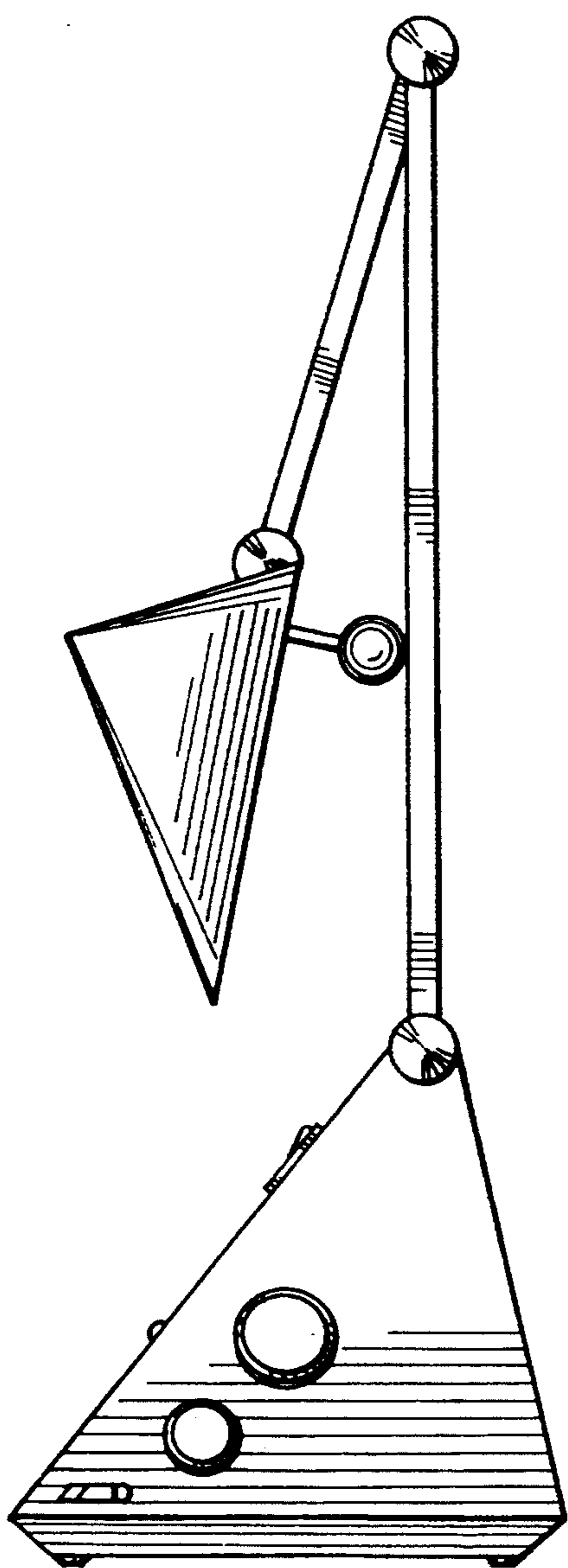


FIG. 4

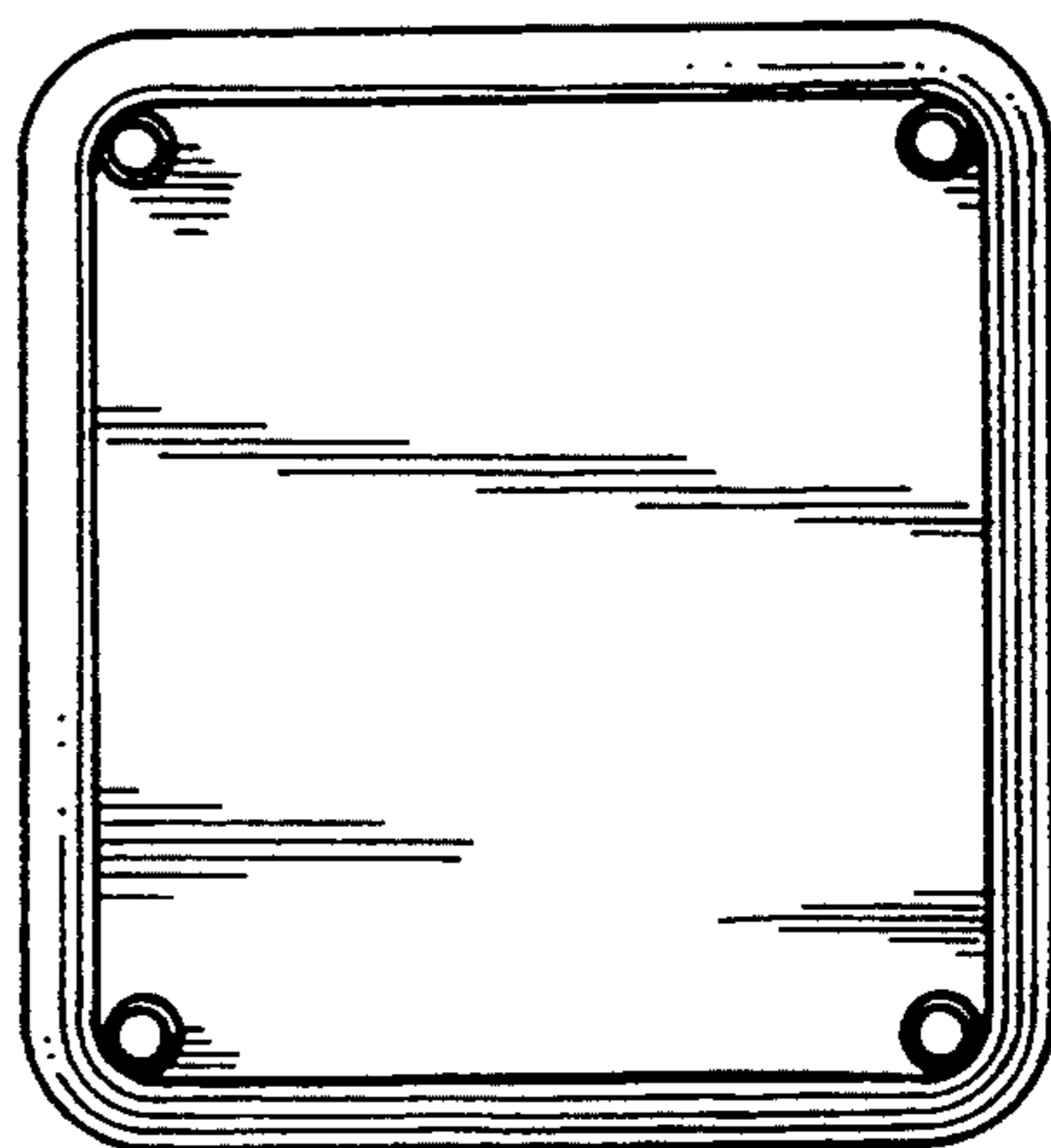
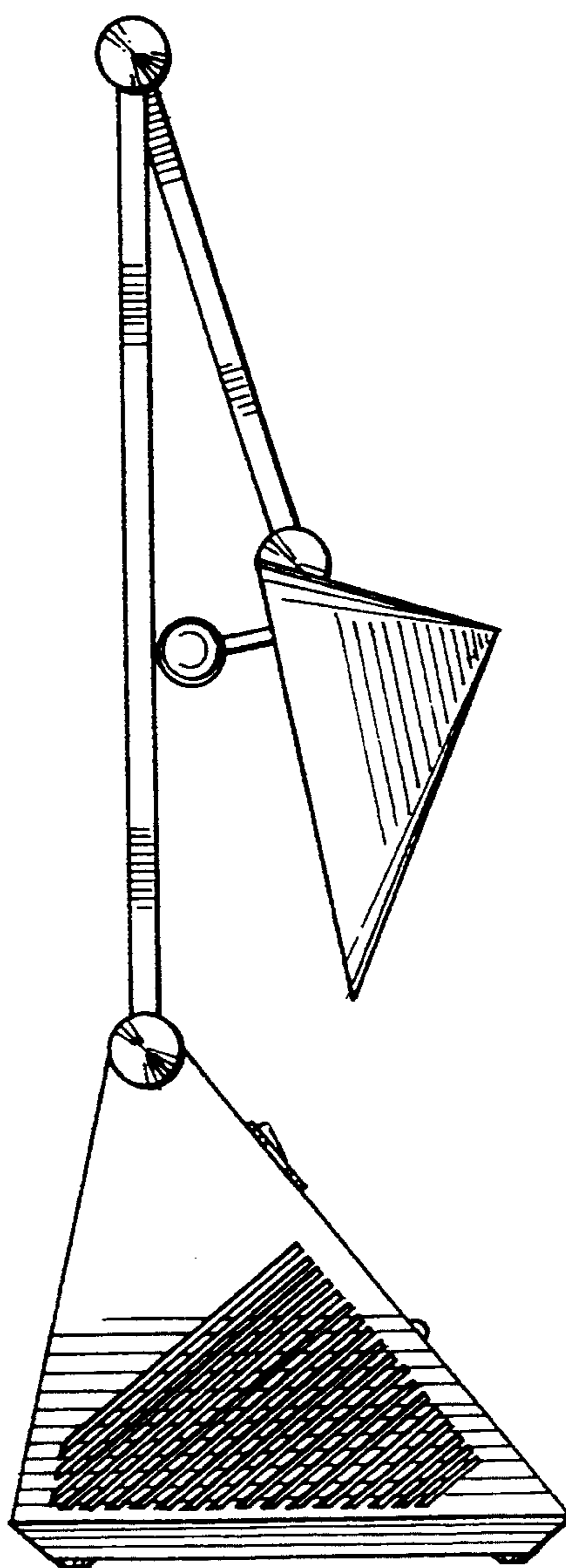


FIG. 5



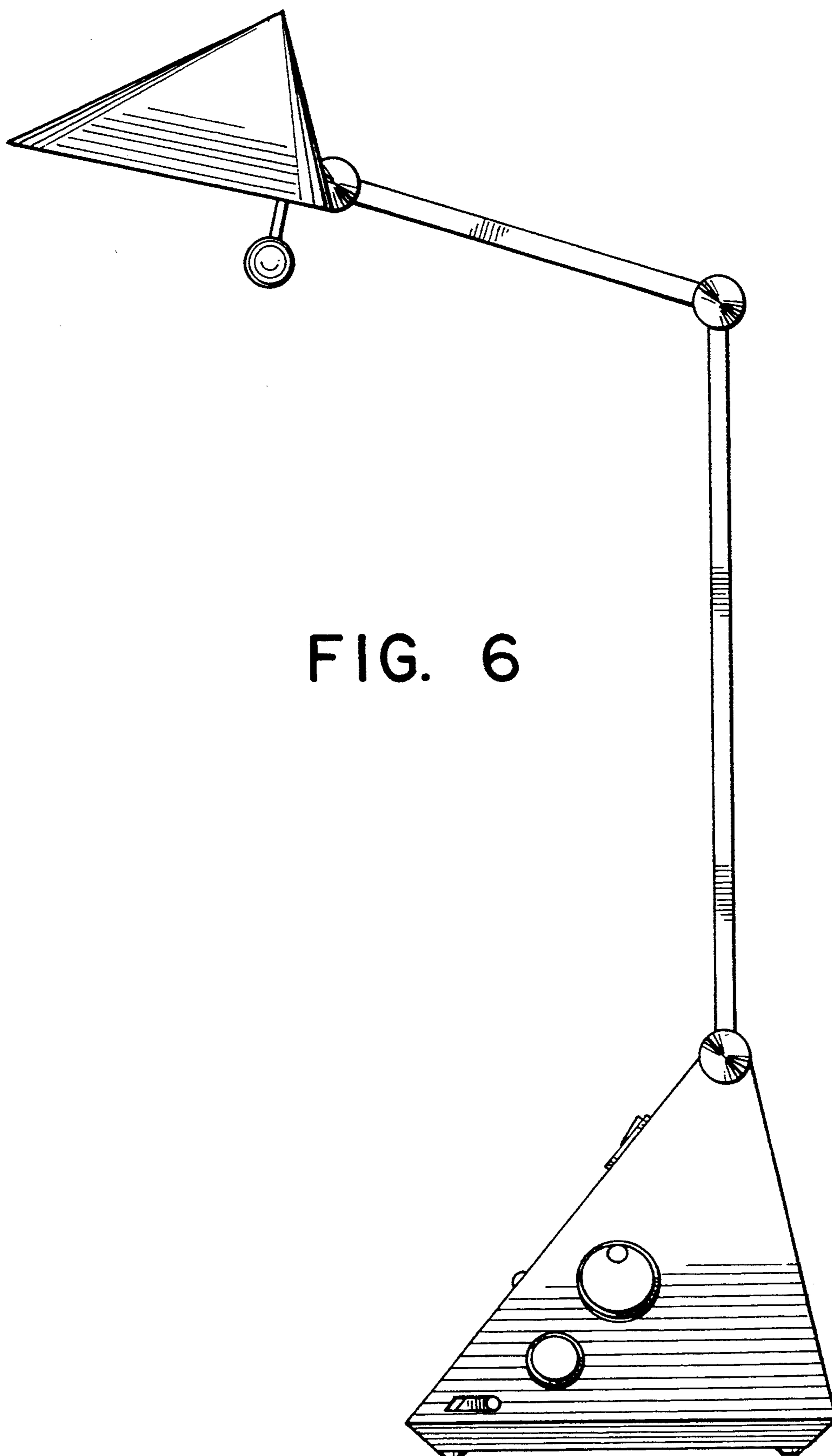


FIG. 6

FIG. 7

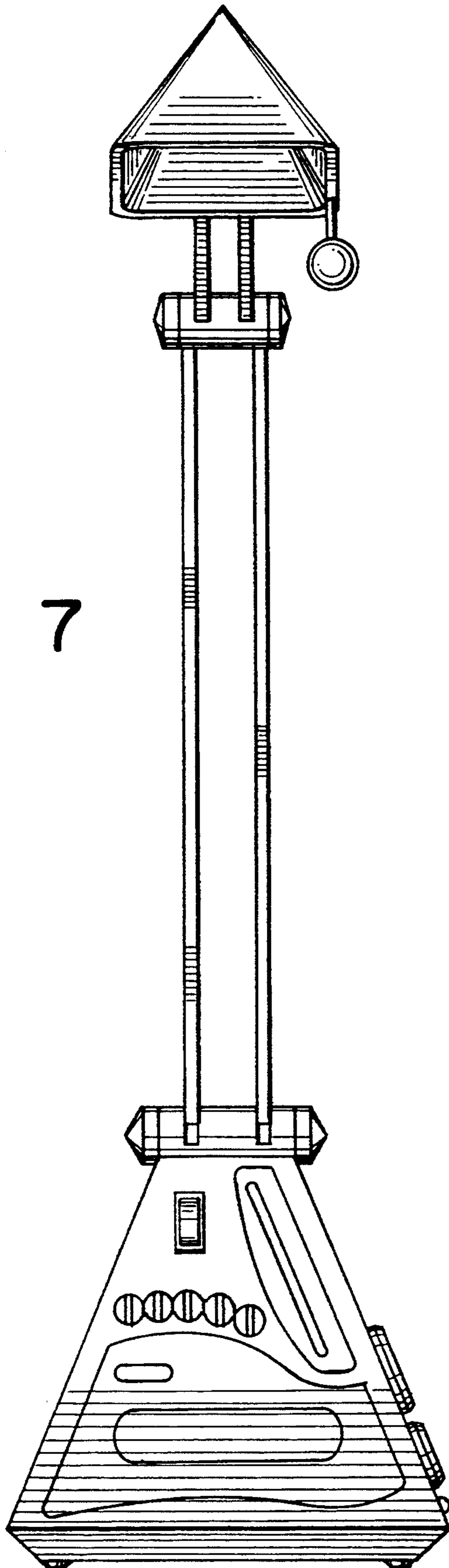


FIG. 8

