



US00D351245S

United States Patent [19]
Maglica

[11] **Patent Number: Des. 351,245**
[45] **Date of Patent: ** Oct. 4, 1994**

[54] **FLASHLIGHT**

[75] Inventor: **Anthony Maglica, Anaheim, Calif.**
[73] Assignee: **Mag Instrument, Inc., Ontario, Calif.**
[**] Term: **14 Years**
[21] Appl. No.: **826,166**
[22] Filed: **Jan. 23, 1992**
[52] U.S. Cl. **D26/49**
[58] Field of Search 362/157, 158, 183, 184,
362/189, 190, 191, 196, 197, 198, 199, 200, 201,
202, 203; D26/37-50

[56] **References Cited**

U.S. PATENT DOCUMENTS

4,388,673	6/1983	Maglica	362/183
4,656,565	4/1987	Maglica	362/187
4,658,336	4/1987	Maglica	362/197
4,725,932	2/1988	Gammache	362/202
4,777,582	10/1988	Sharrah	362/202 X
4,868,724	9/1989	Tung	362/189
4,951,183	8/1990	Wang	362/202 X

Primary Examiner—Susan J. Lucas
Attorney, Agent, or Firm—Lyon & Lyon

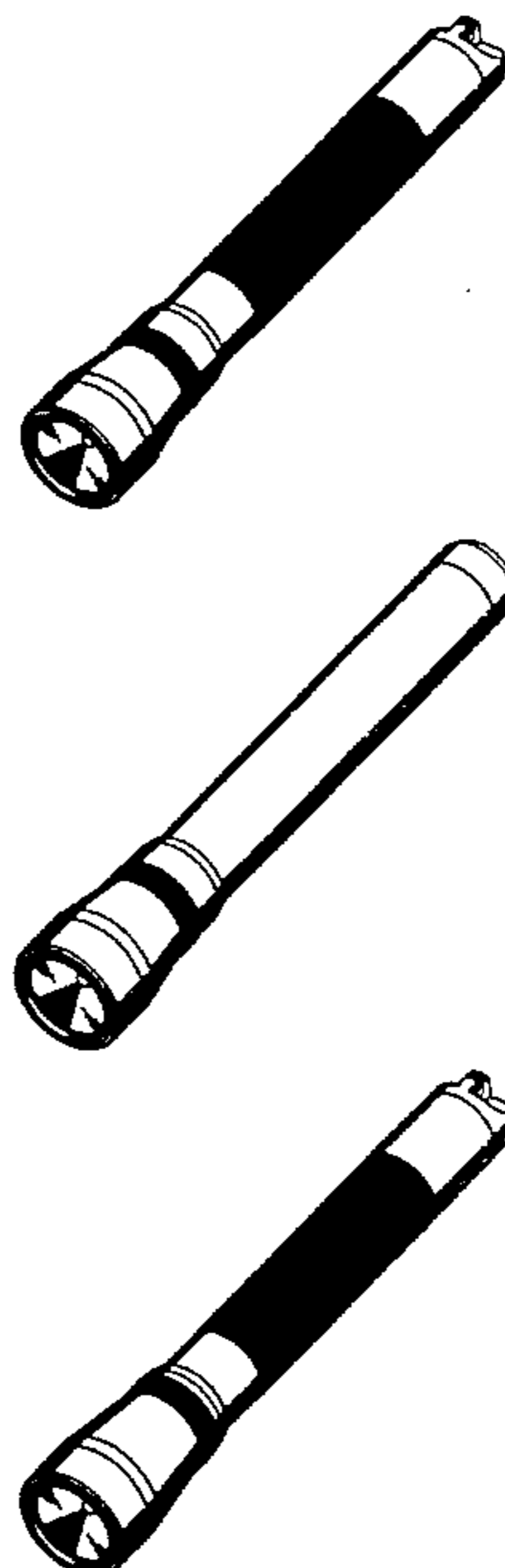
[57] **CLAIM**

The ornamental design for a flashlight, as shown and described.

DESCRIPTION

FIG. 1 is a front perspective view of the flashlight showing my new design;
FIG. 2 is a rear perspective view thereof;
FIG. 3 is a side elevational view thereof, the opposite side being identical in appearance;
FIG. 4 is a rear elevational view thereof;
FIG. 5 is a front elevational view thereof;

FIG. 6 is a front perspective view of an alternative embodiment of the flashlight showing my new design;
FIG. 7 is a rear perspective view thereof;
FIG. 8 is a side elevational view thereof, the opposition side being identical in appearance;
FIG. 9 is a rear elevational view thereof;
FIG. 10 is a front elevational view thereof;
FIG. 11 is a front perspective view of another alternative embodiment of the flashlight showing my new design;
FIG. 12 is a rear perspective view thereof;
FIG. 13 is a side elevational view thereof, the opposition side being identical in appearance;
FIG. 14 is a rear elevational view thereof;
FIG. 15 is a front elevational view thereof;
FIG. 16 is a front perspective view of another alternative embodiment of the flashlight showing my new design;
FIG. 17 is a rear perspective view thereof;
FIG. 18 is a side elevational view thereof, the opposition side being identical in appearance;
FIG. 19 is a rear elevational view thereof;
FIG. 20 is a front elevational view thereof;
FIG. 21 is a front perspective view of another alternative embodiment of the flashlight showing my new design;
FIG. 22 is a rear perspective view thereof;
FIG. 23 is a side elevational view thereof, the opposition side being identical in appearance;
FIG. 24 is a rear elevational view thereof;
FIG. 25 is a front elevational view thereof;
FIG. 26 is a front perspective view of another alternative embodiment of the flashlight showing my new design;
FIG. 27 is a rear perspective view thereof;
FIG. 28 is a side elevational view thereof, the opposition side being identical in appearance;
FIG. 29 is a rear elevational view thereof; and,
FIG. 30 is a front elevational view thereof.



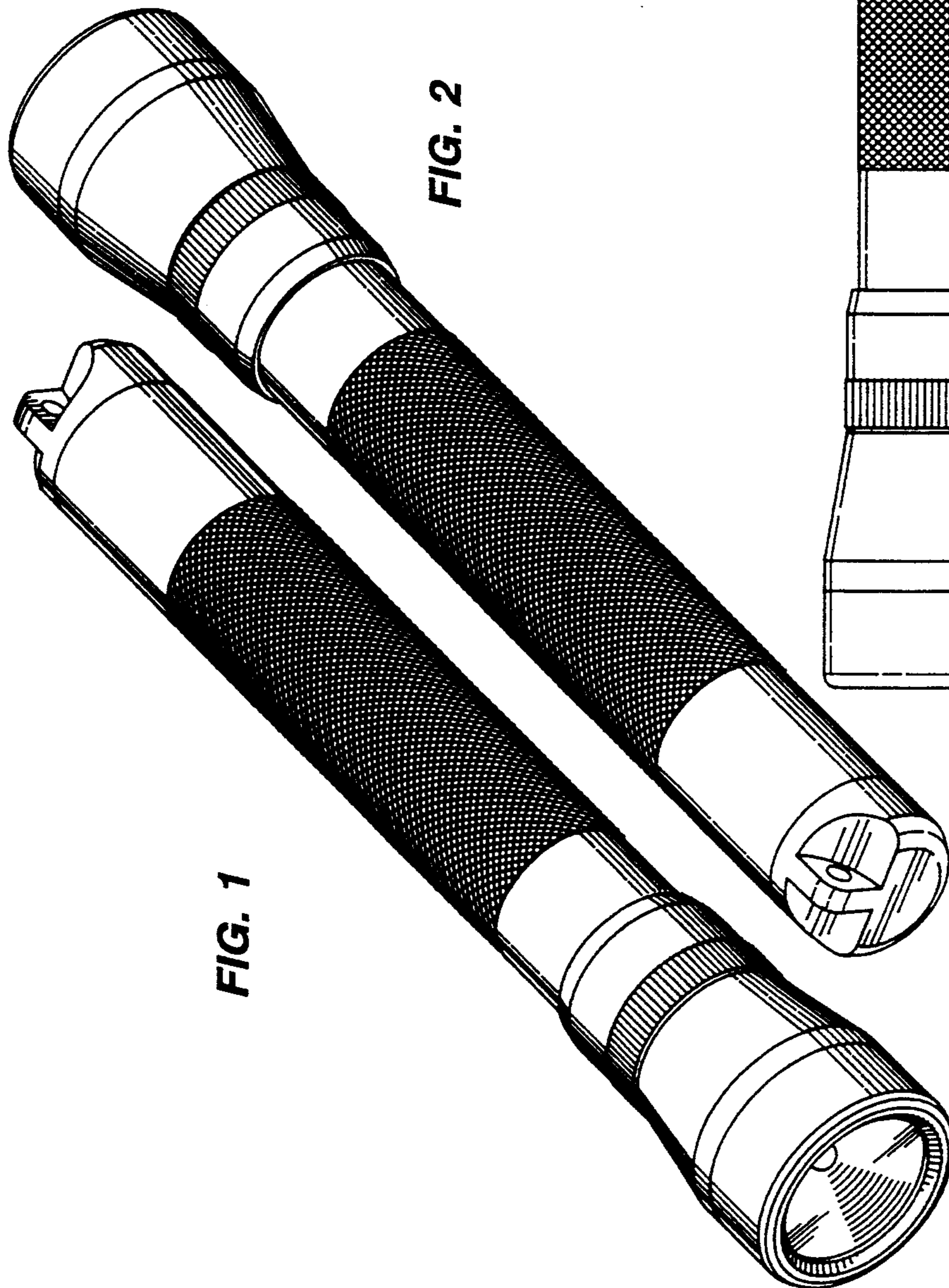


FIG. 1

FIG. 2

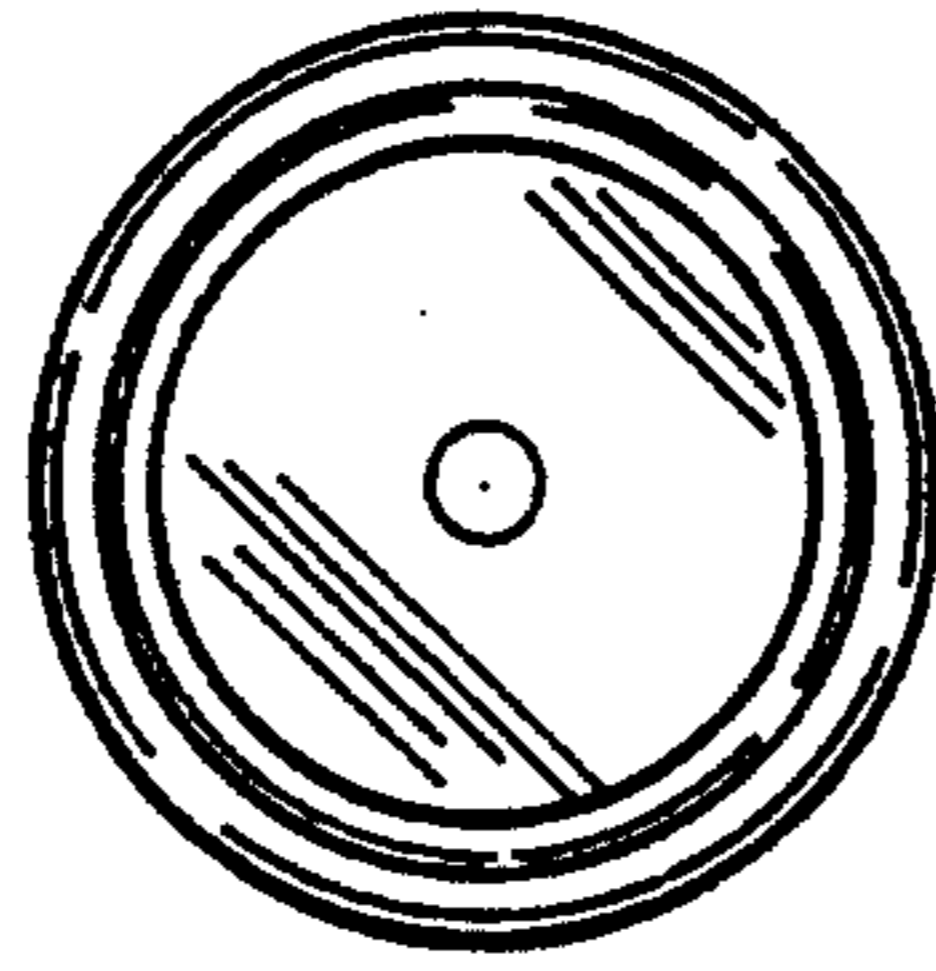


FIG. 5

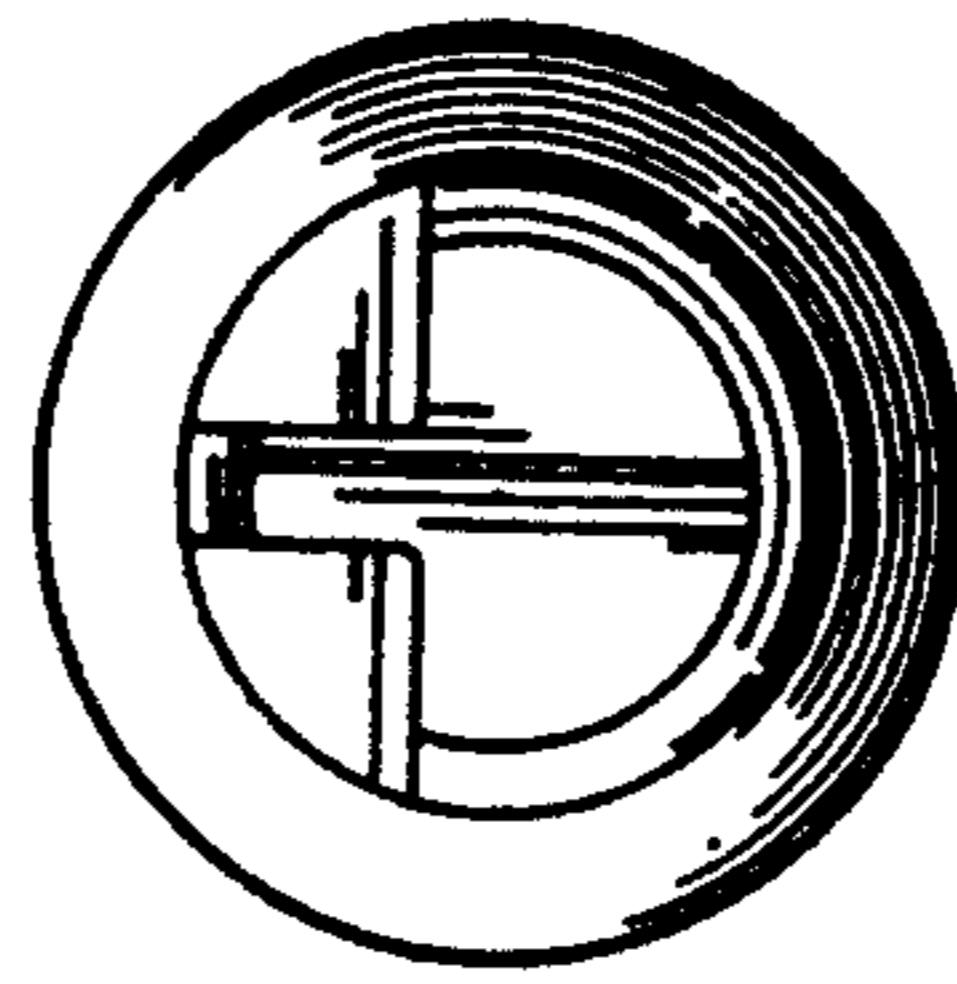


FIG. 4

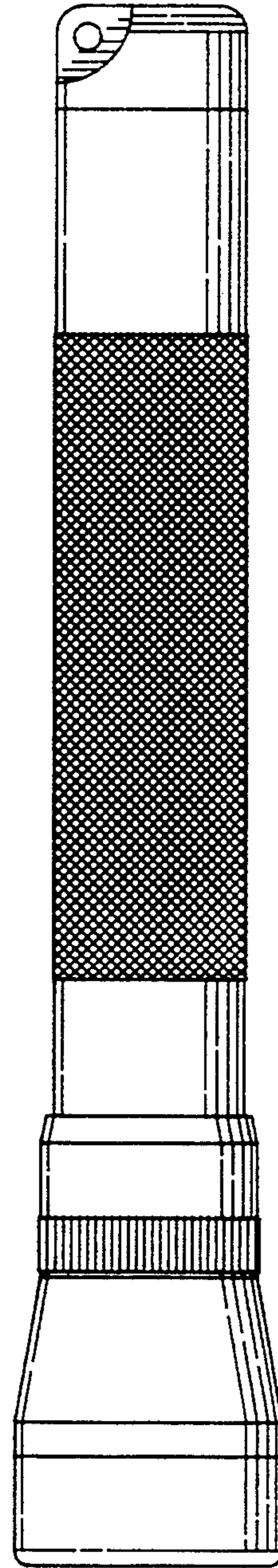


FIG. 3

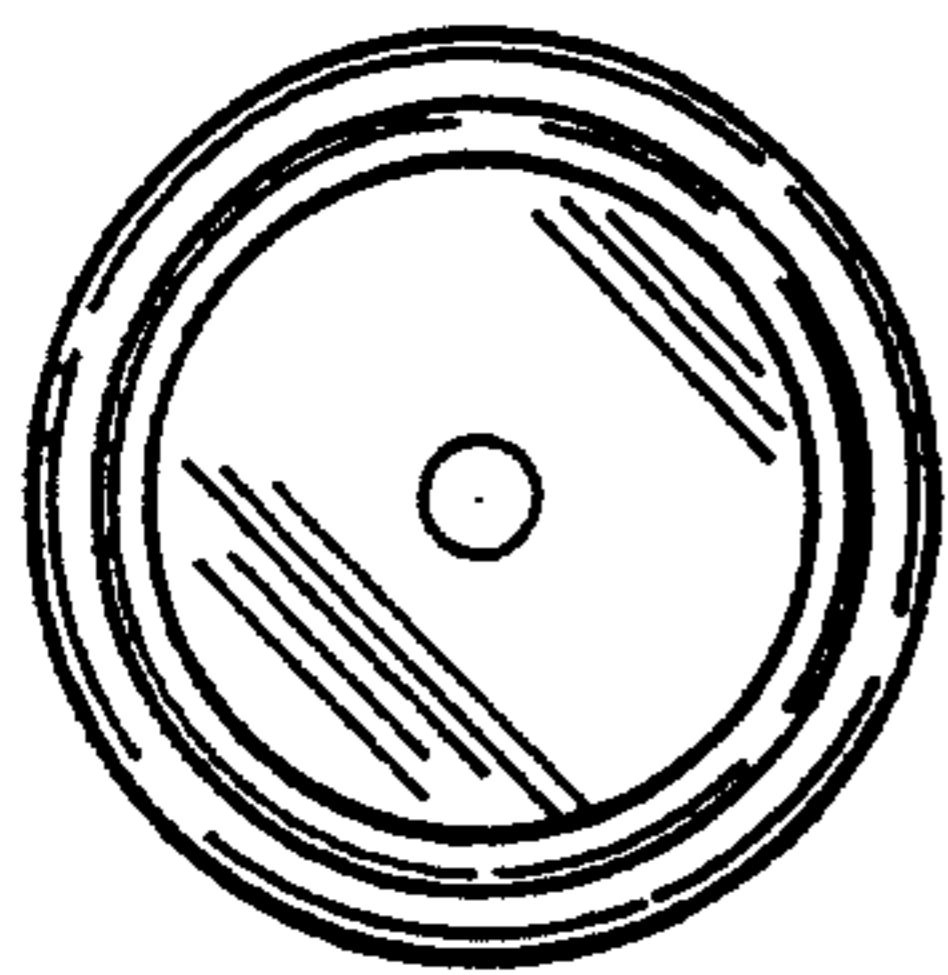


FIG. 9

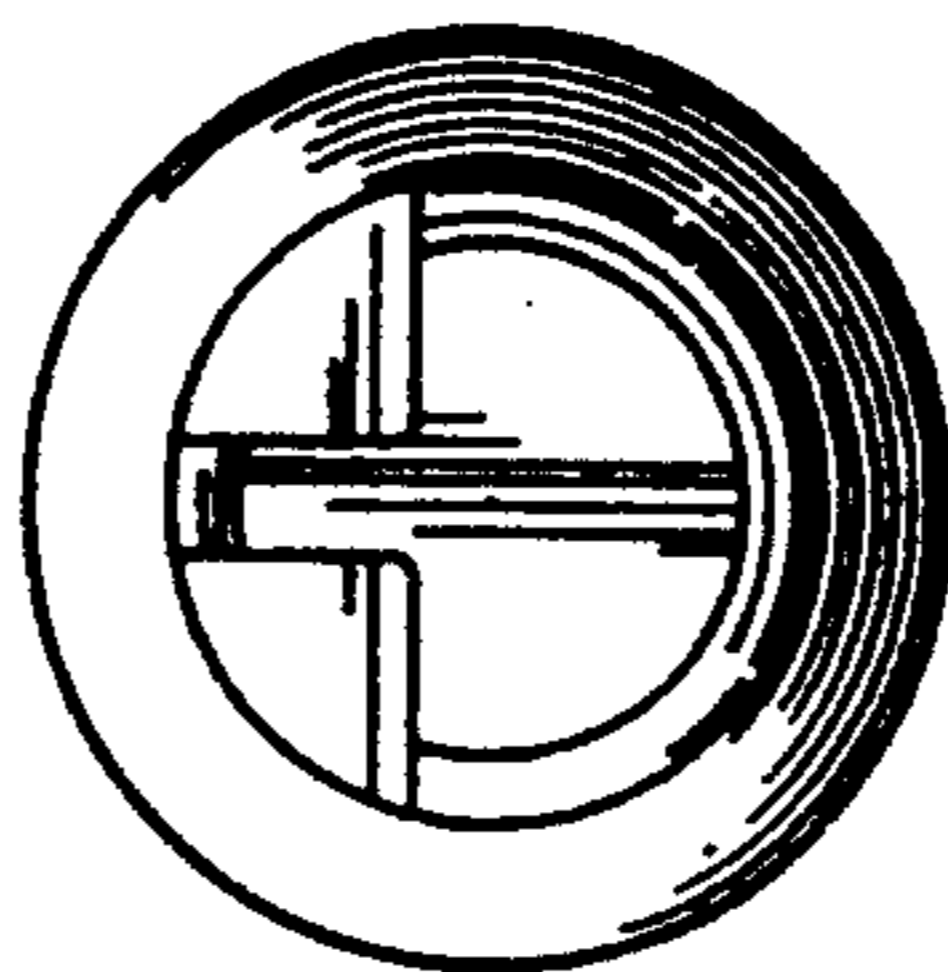


FIG. 10

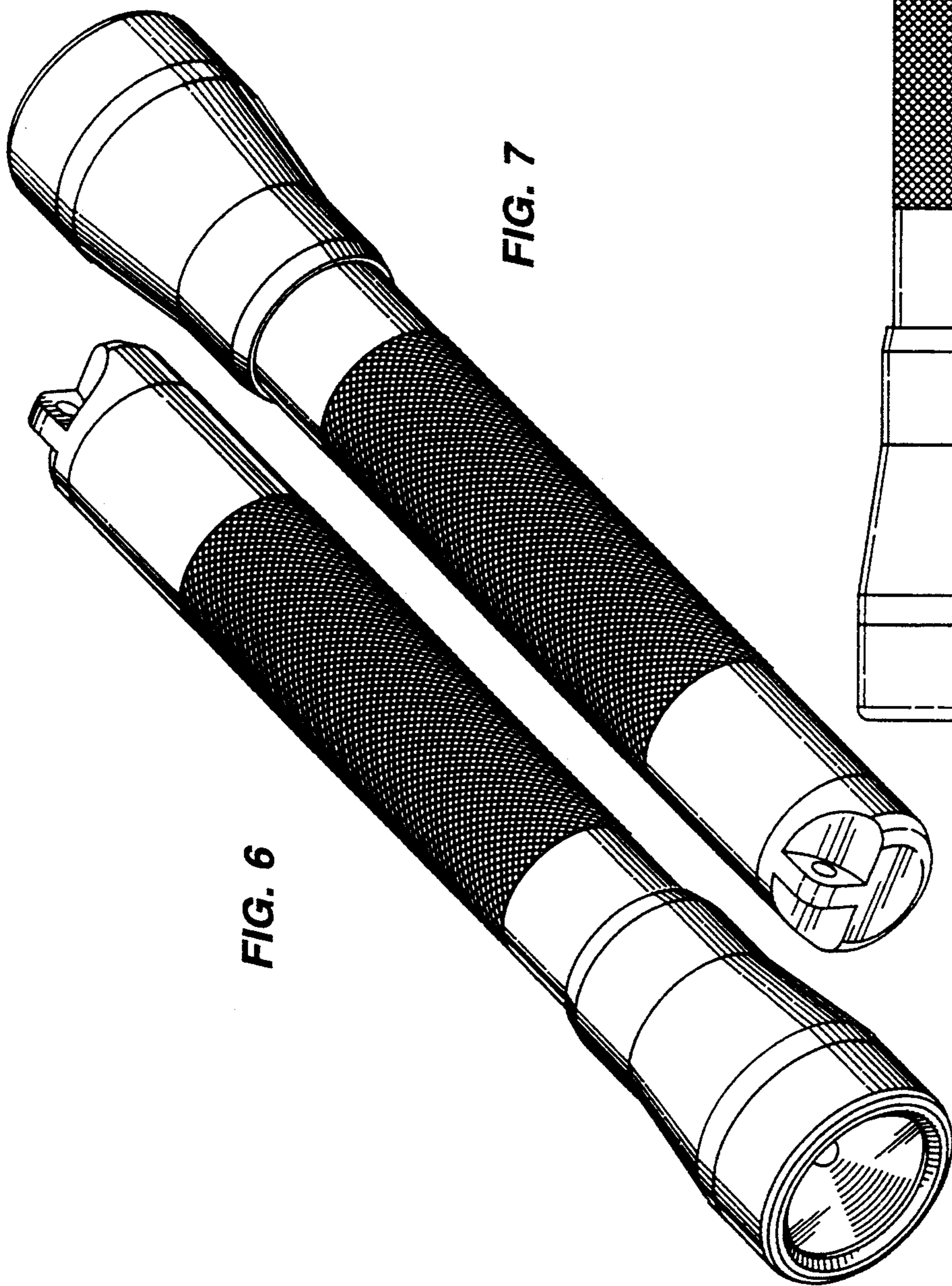


FIG. 6

FIG. 7

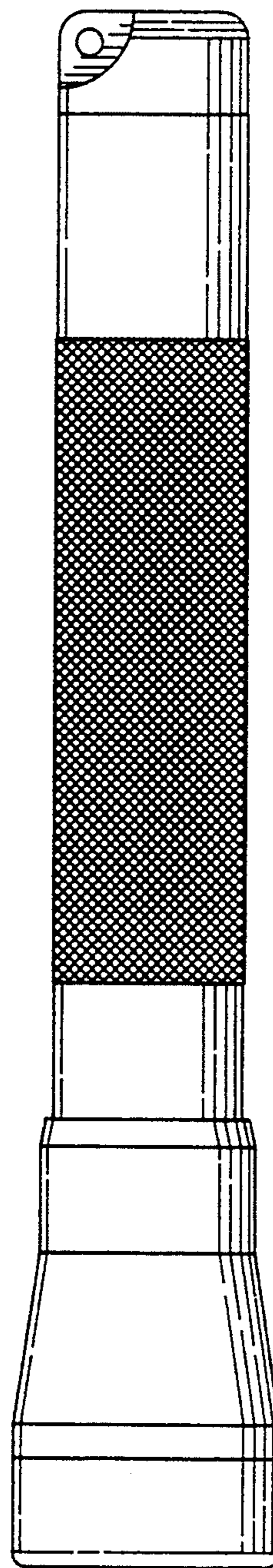


FIG. 8

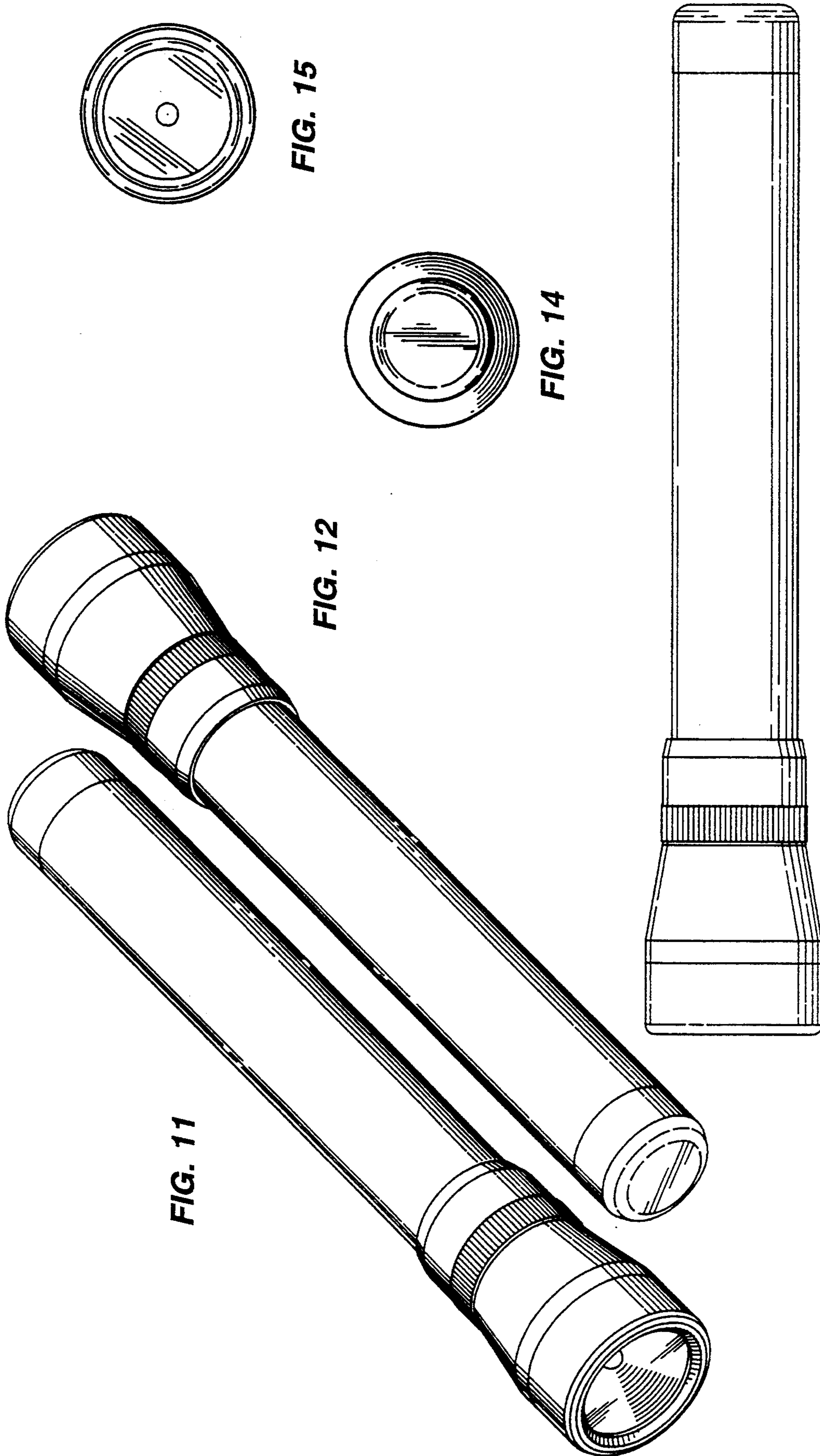


FIG. 11

FIG. 12

FIG. 14

FIG. 15

FIG. 13

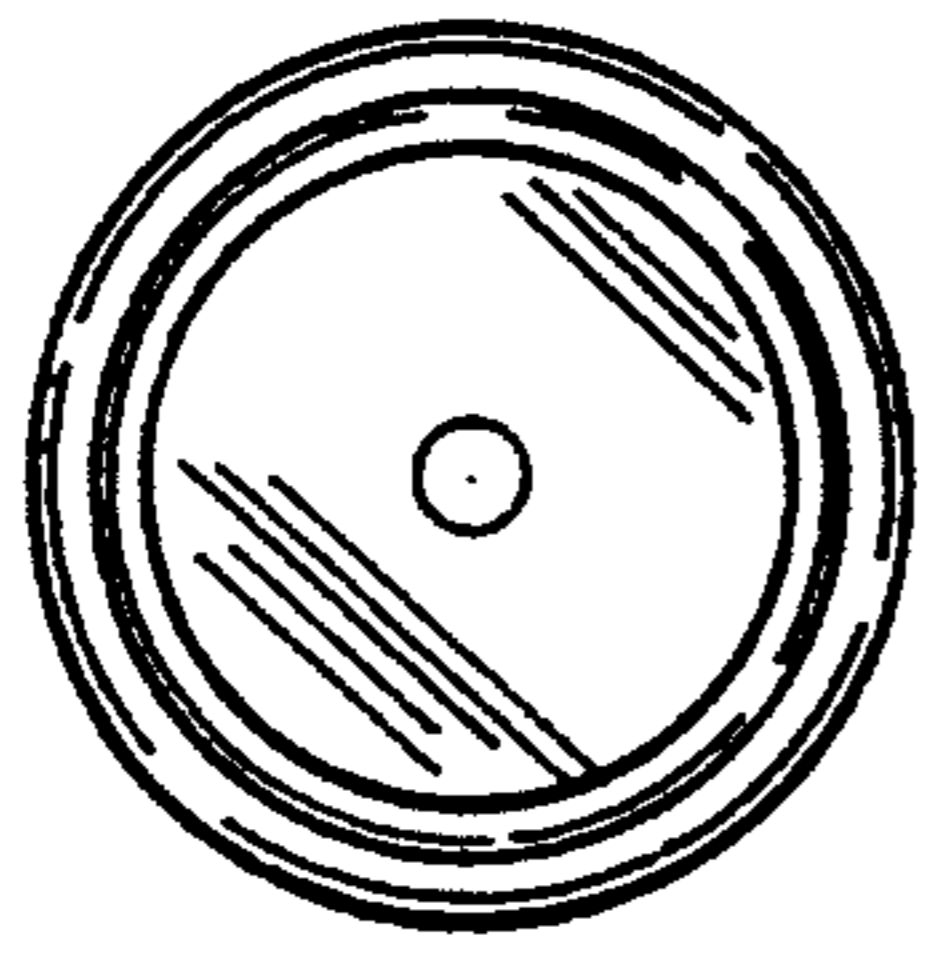


FIG. 20

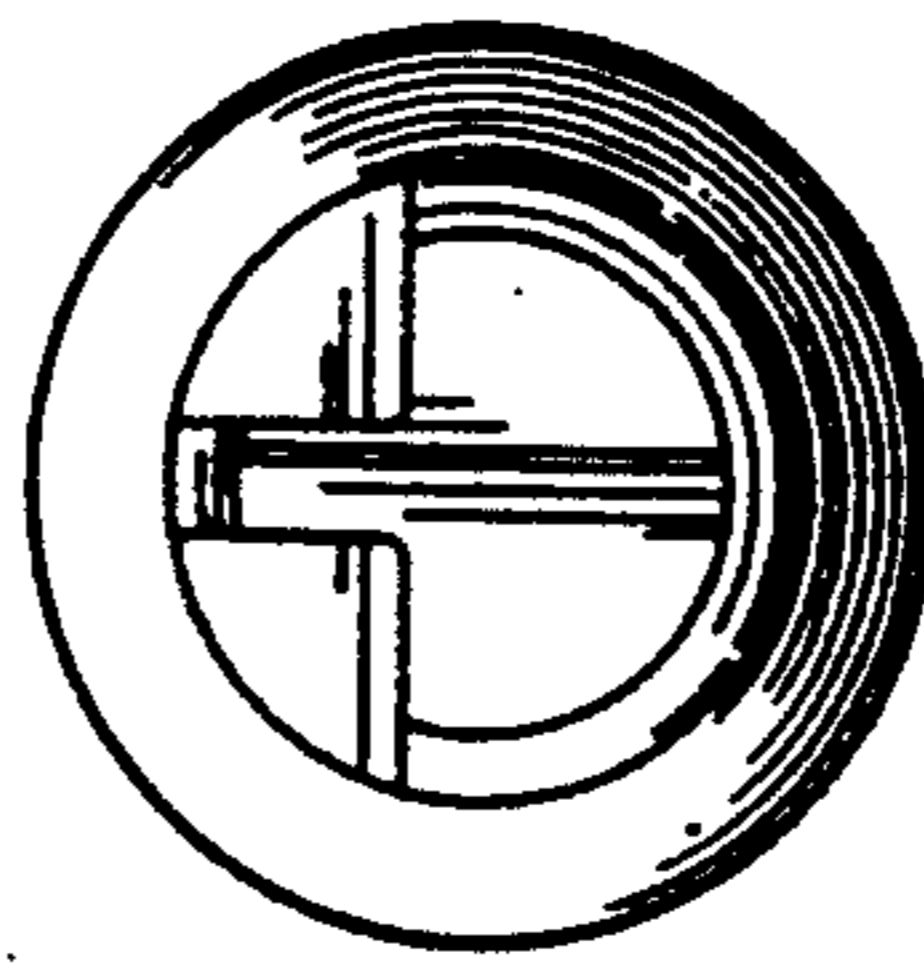


FIG. 19

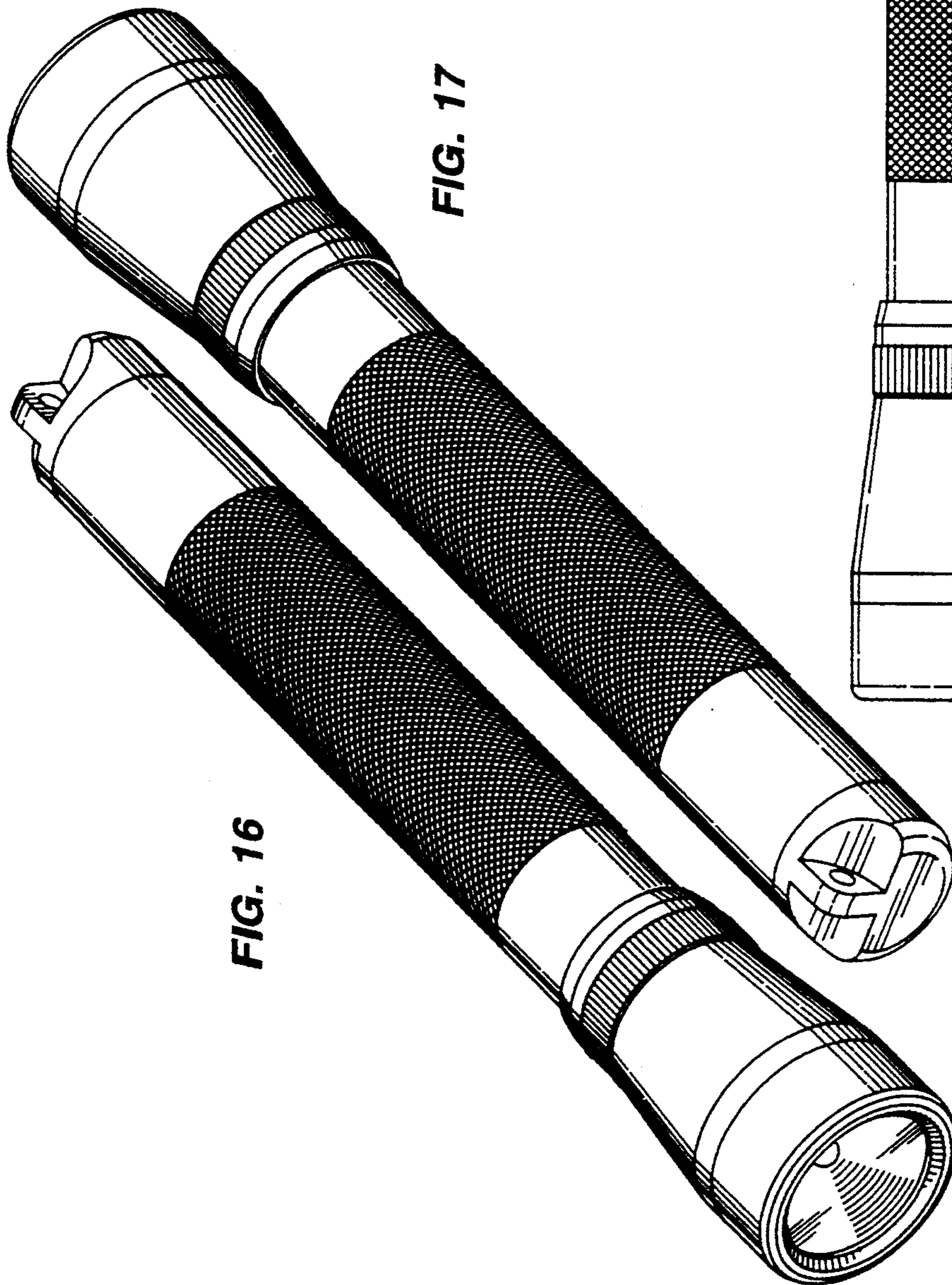


FIG. 16

FIG. 17

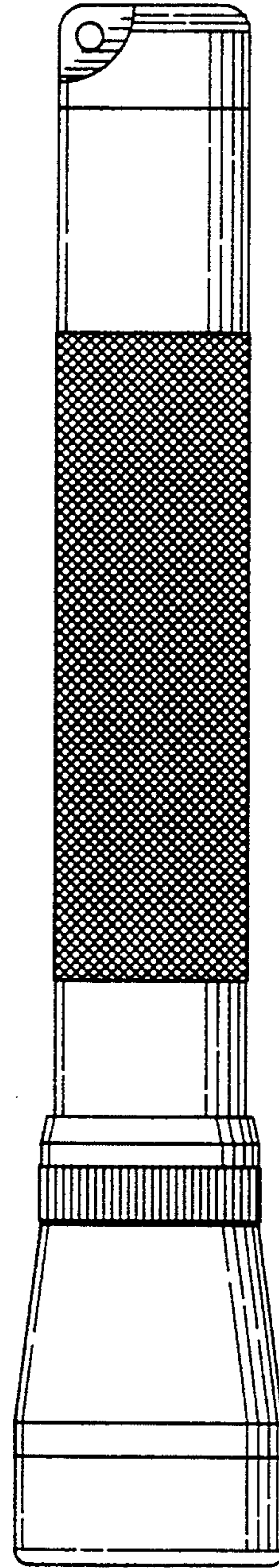


FIG. 18

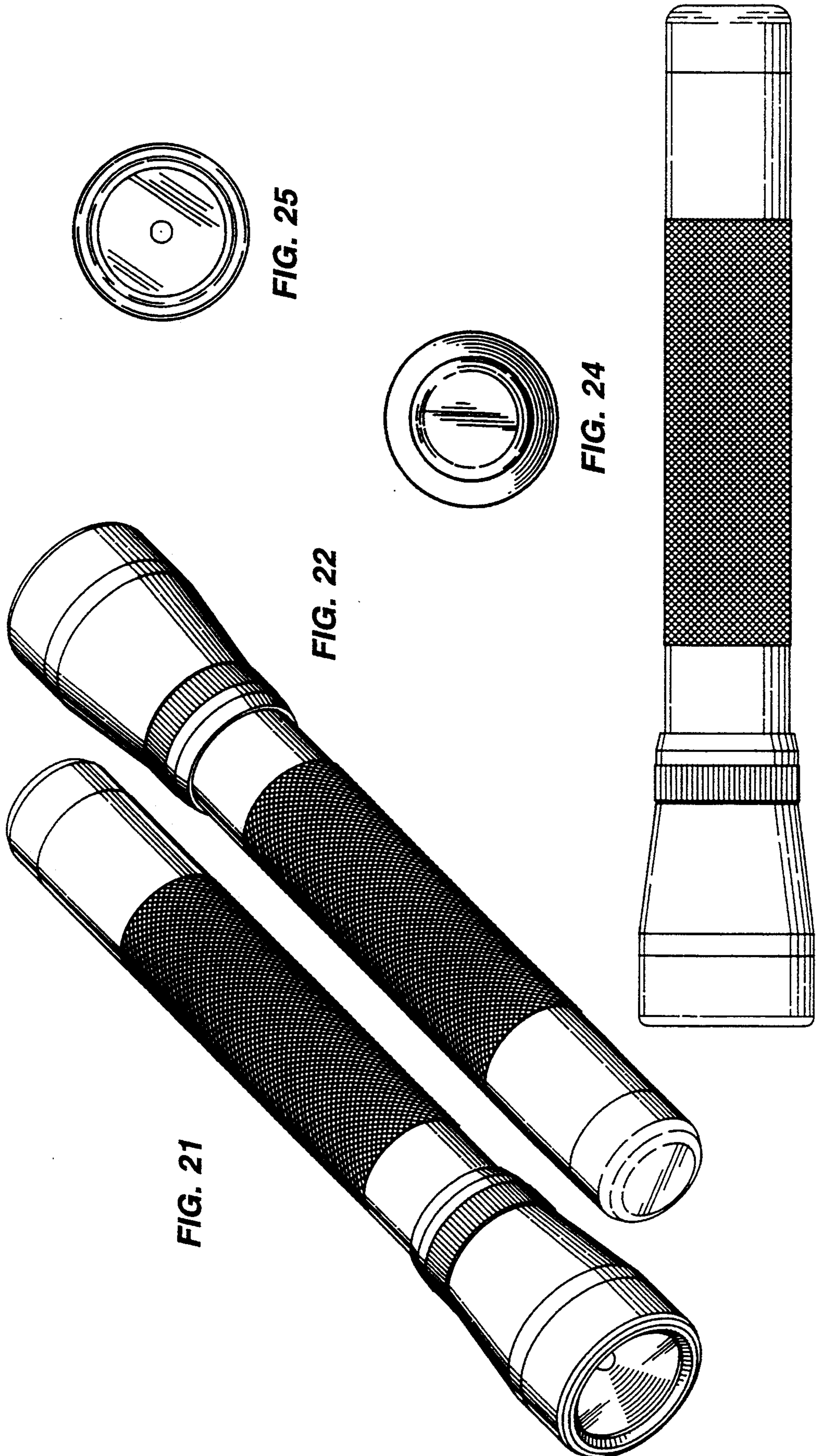


FIG. 21

FIG. 22

FIG. 24

FIG. 25

FIG. 23

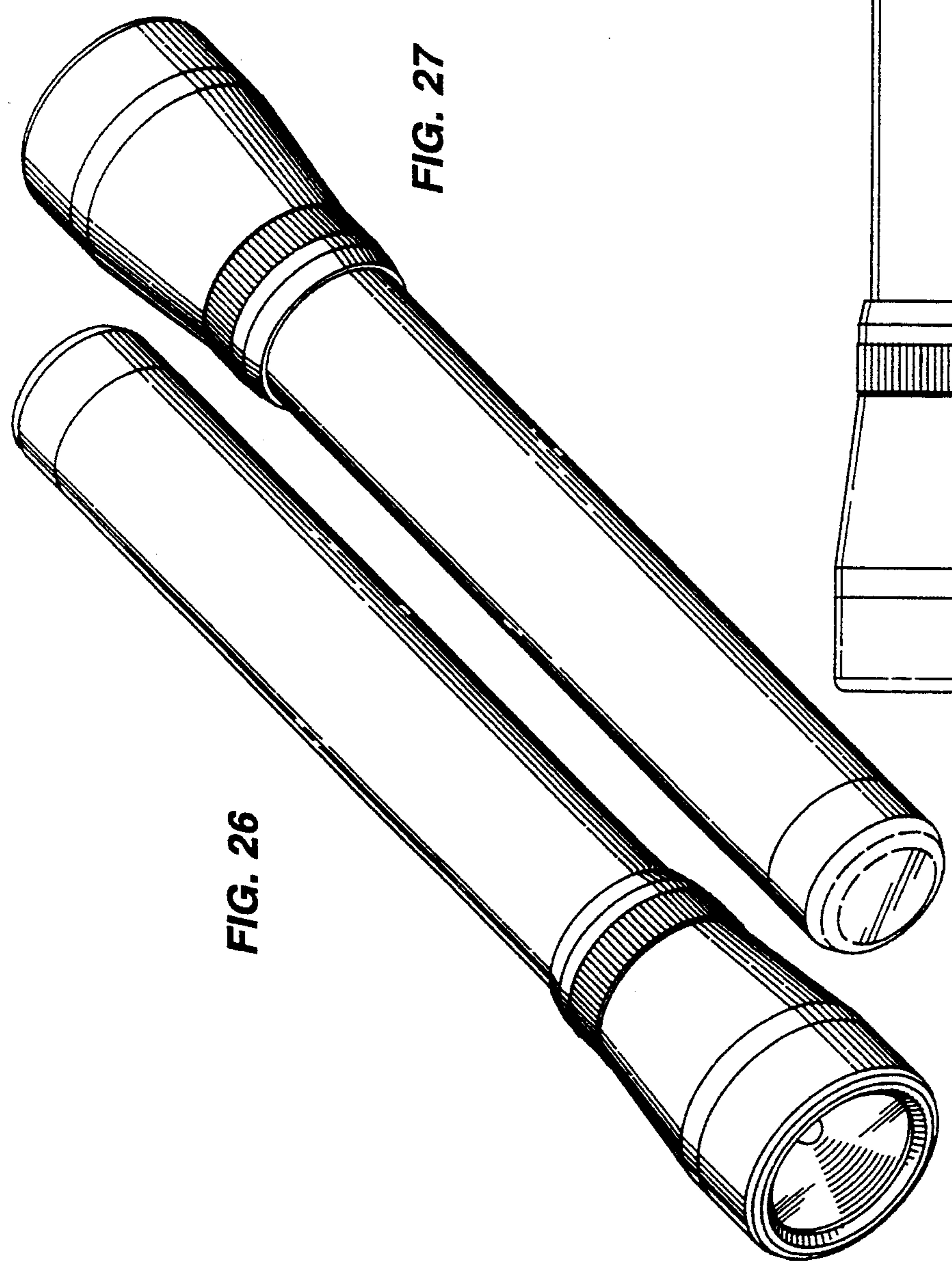


FIG. 26

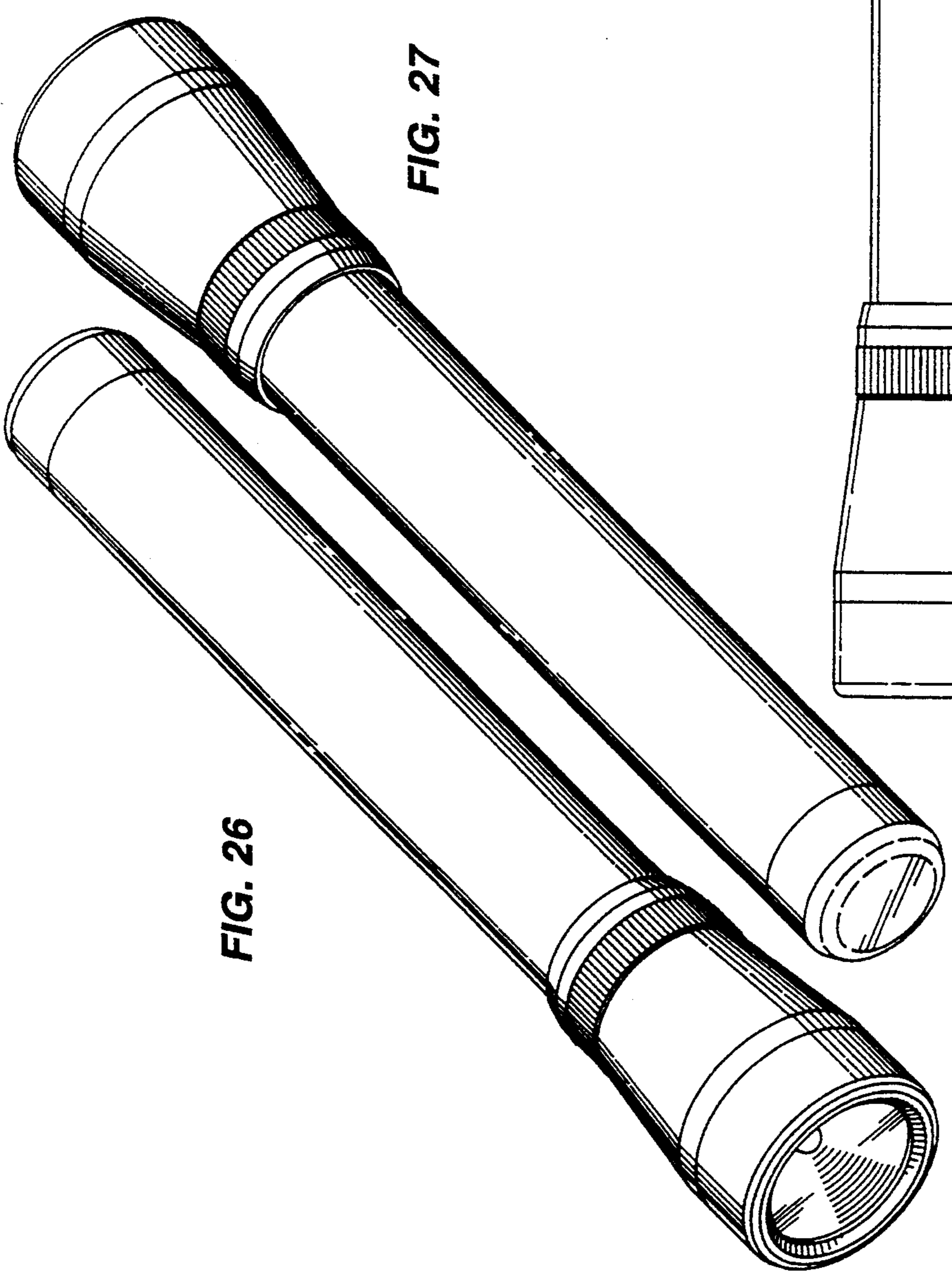


FIG. 27

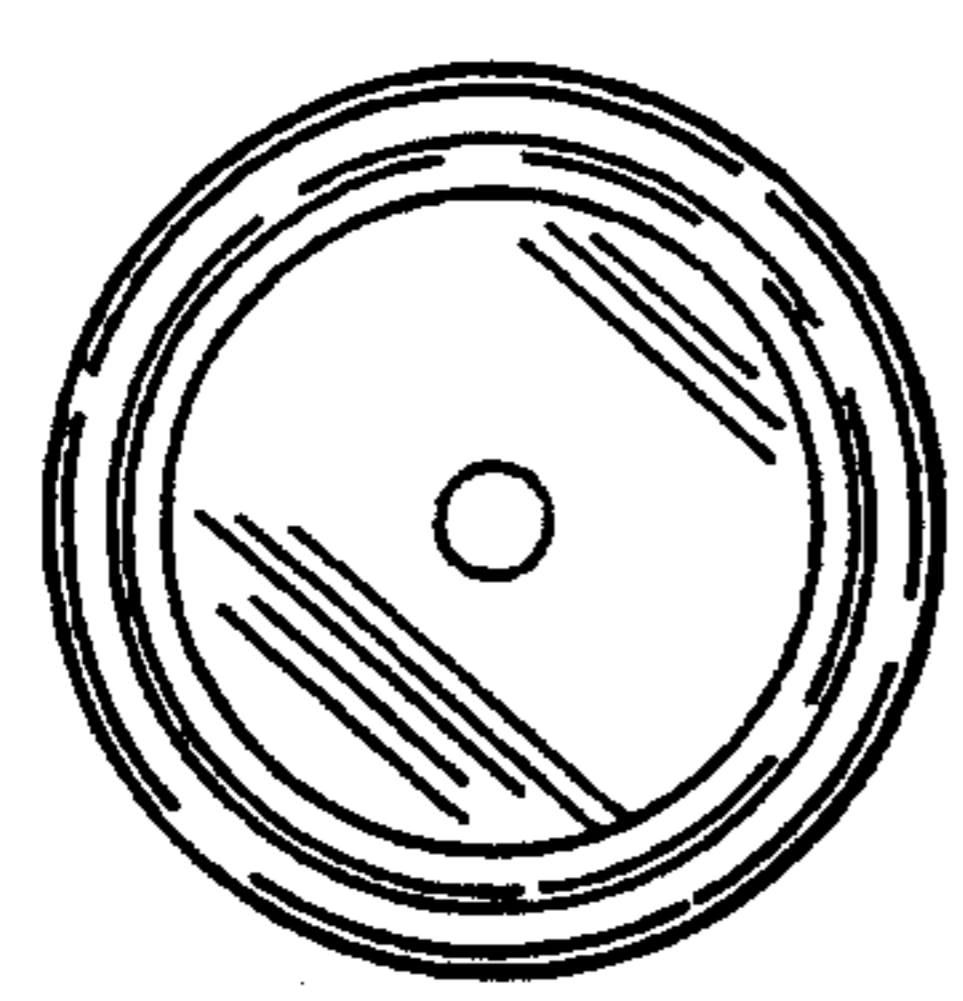


FIG. 30

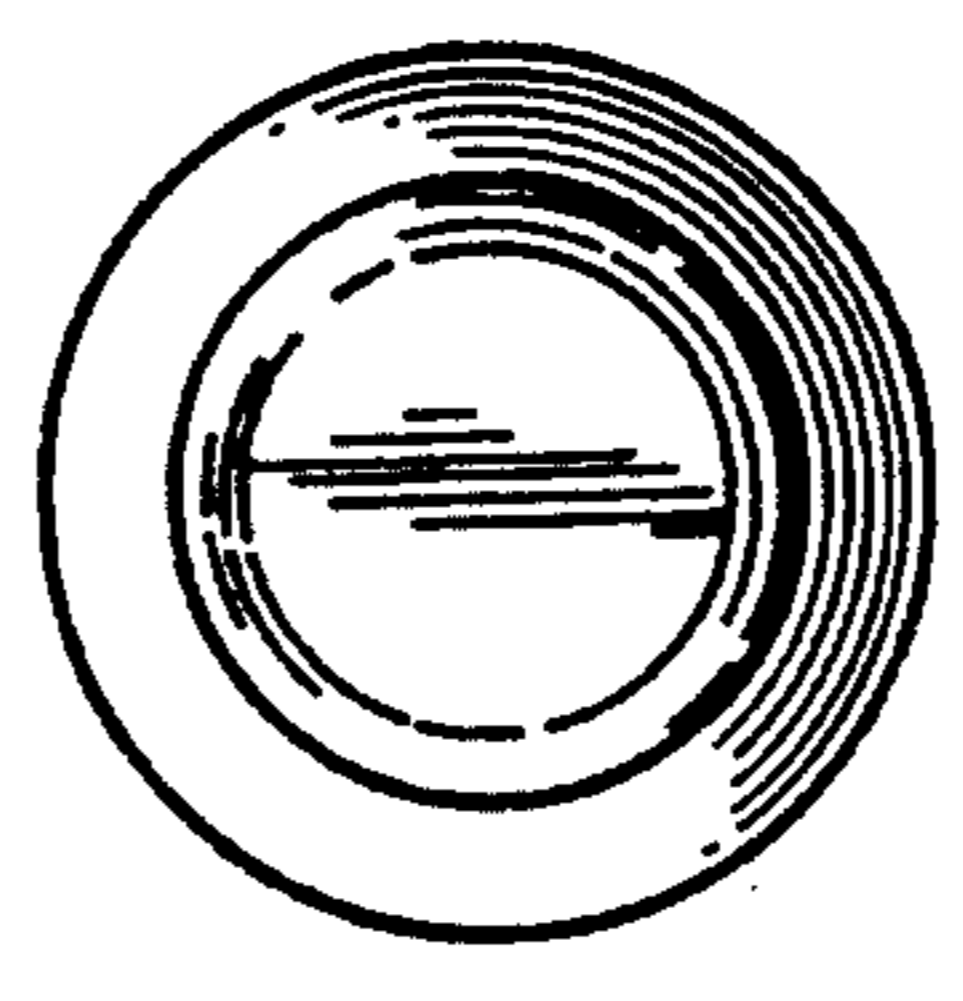


FIG. 29

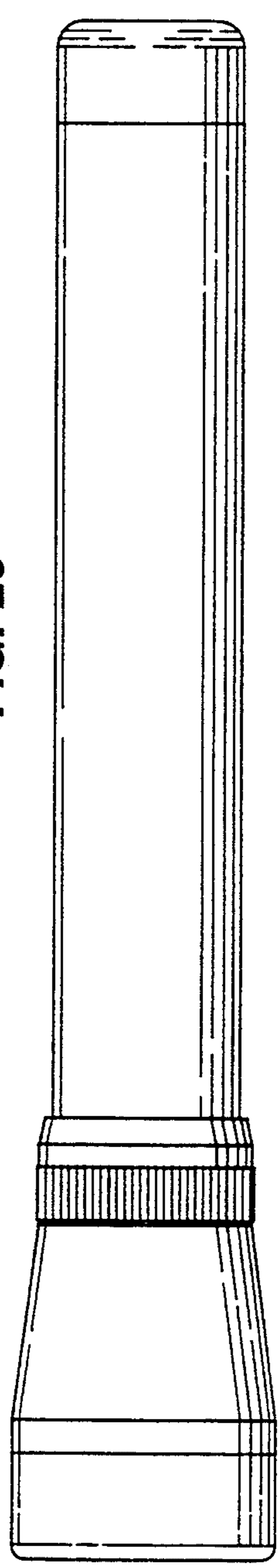


FIG. 28